



US00D368673S

United States Patent [19]

Hermsdorfer et al.

[11] Patent Number: **Des. 368,673**

[45] Date of Patent: ****Apr. 9, 1996**

[54] **SUPPORT FOR A LIGHT STRING**

4,523,260 6/1985 Duncan D11/125 X

[76] Inventors: **David M. Hermsdorfer; Pamela A. Hermsdorfer**, both of 4618 Timberlane Rd., Crystal Lake, Ill. 60014

Primary Examiner—Dominic Simone
Attorney, Agent, or Firm—Harpman & Harpman

[**] Term: **14 Years**

[57] **CLAIM**

The ornamental design for a support for a light string, as shown and described.

[21] Appl. No.: **38,176**

[22] Filed: **Apr. 28, 1995**

DESCRIPTION

[52] U.S. Cl. **D11/118; D11/130; D11/121**

[58] Field of Search D11/118, 121, D11/125, 130; 428/18, 19; 362/723, 806

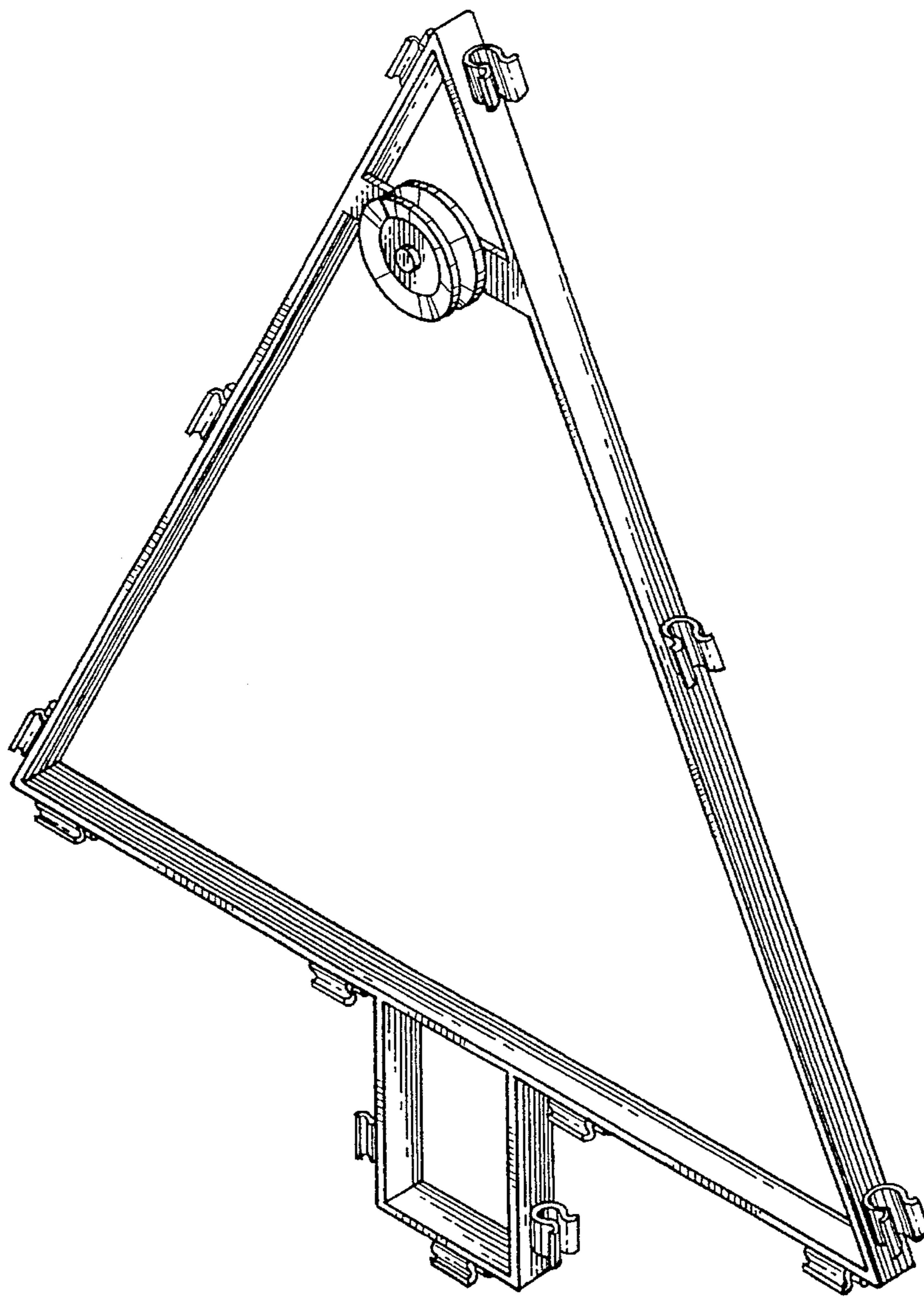
FIG. 1 is a right front perspective view of a support for a light string showing our new design; FIG. 2 is a front elevational view thereof; FIG. 3 is a rear elevational view thereof; FIG. 4 is a side elevational view thereof, the side opposite being a mirror image of the side shown in FIG. 4; FIG. 5 is a top plan view thereof; and, FIG. 6 is a bottom plan view thereof.

[56] **References Cited**

U.S. PATENT DOCUMENTS

D. 360,380	7/1995	Eckhart	D11/118
2,894,345	7/1959	Bushnell	D11/125 X
3,819,459	6/1974	Wien	362/123
4,404,621	9/1983	Mauro	362/123 X

1 Claim, 3 Drawing Sheets



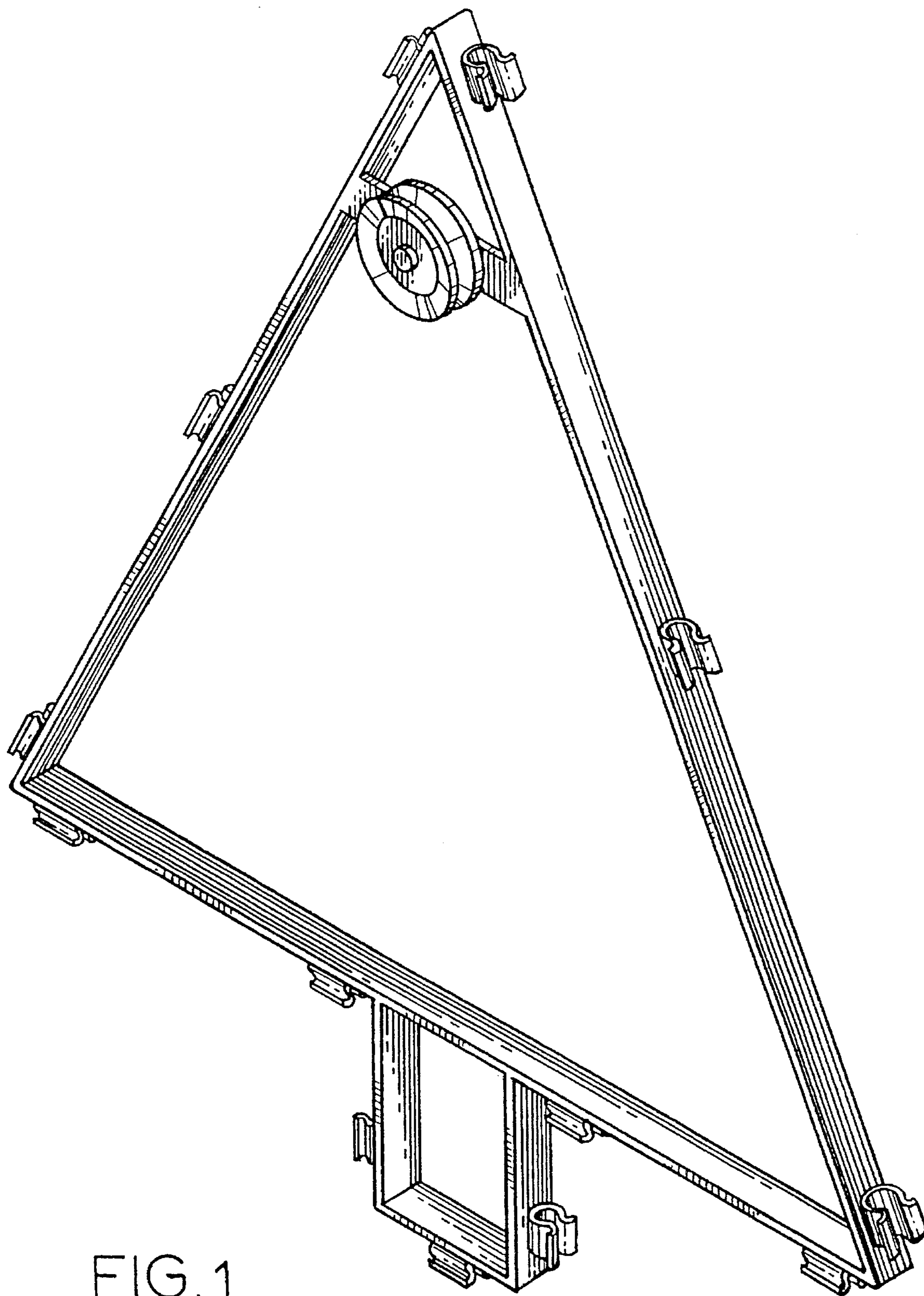


FIG. 1

FIG. 4

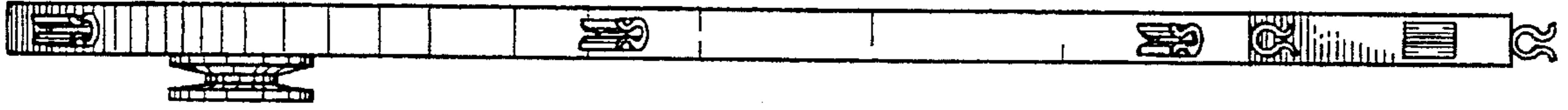
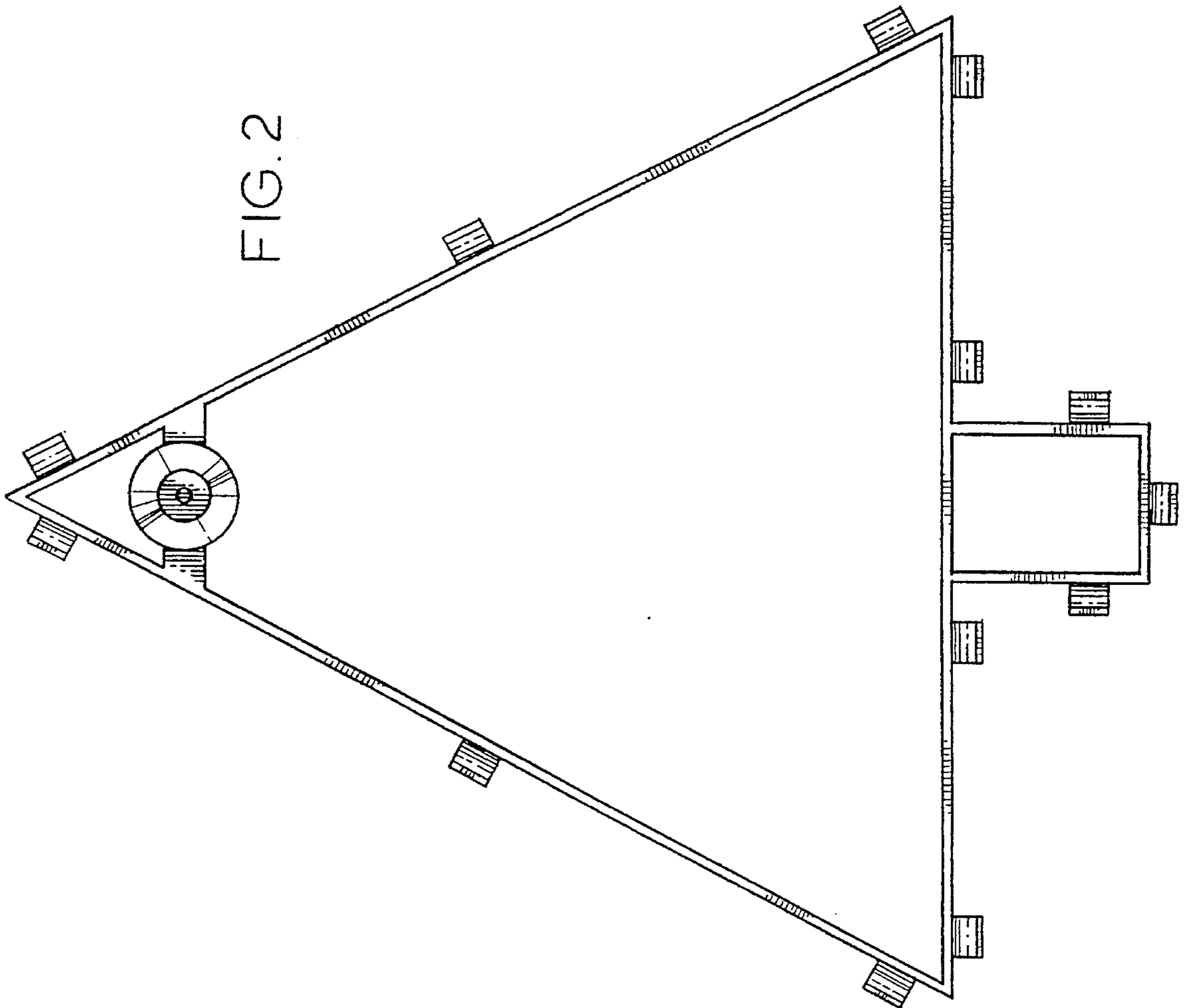


FIG. 2



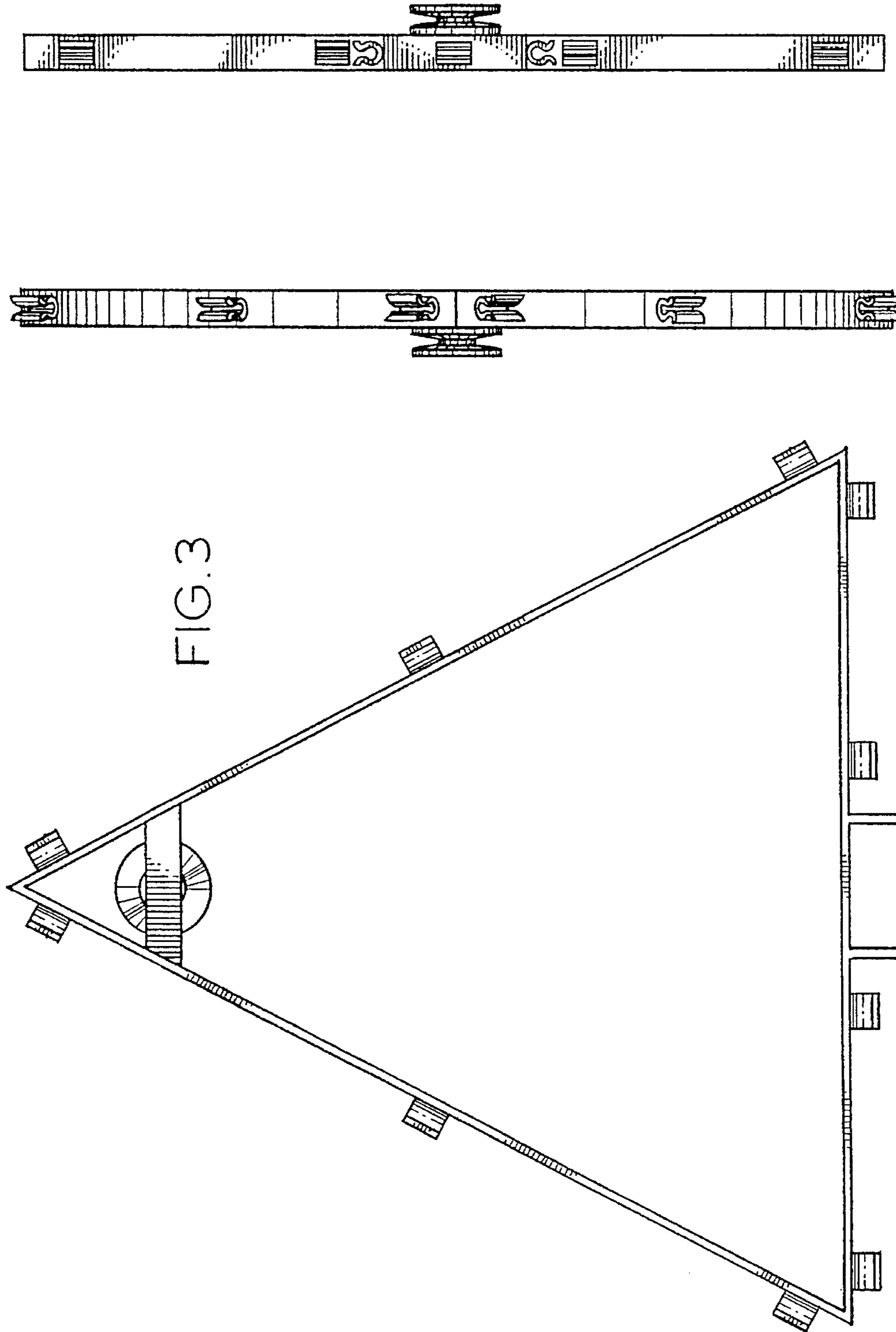


FIG. 3

FIG. 6

FIG. 5