



US00D368666S

United States Patent [19]
Fonte

[11] **Patent Number: Des. 368,666**
[45] **Date of Patent: **Apr. 9, 1996**

+
[54] **PICTURE FRAME STABALIZER**

[76] Inventor: **Jerry Fonte**, 17960 W. Manhattan Rd.,
Elwood, Ill. 60421

[**] Term: **14 Years**

[21] Appl. No.: **28,609**

[22] Filed: **Sep. 26, 1994**

[52] U.S. Cl. **D10/69**

[58] Field of Search **D10/69; 33/365-373**

[56] **References Cited**

U.S. PATENT DOCUMENTS

D. 34,017	1/1901	Farwell	D10/69
D. 256,441	8/1980	Quenot	D10/69
D. 337,279	7/1993	Styles et al.	D10/69
4,944,094	7/1990	Depiano et al.	33/371
4,960,258	10/1990	Stocker	

5,167,085 12/1992 Yang .
5,195,263 3/1993 Huang .

Primary Examiner—Antoine Duval Davis
Attorney, Agent, or Firm—Terry M. Gernstein

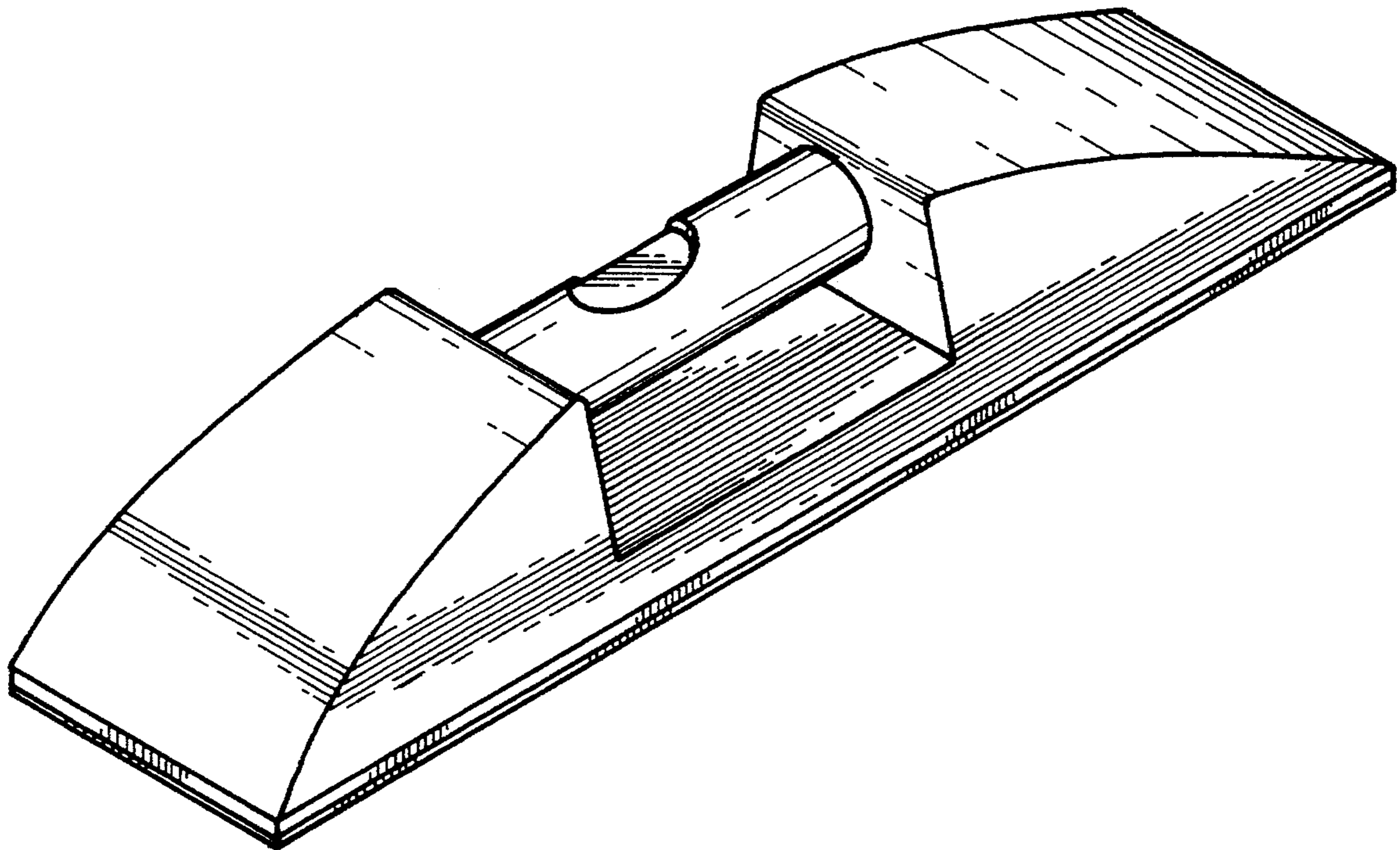
[57] **CLAIM**

The ornamental design for a picture frame stabalizer, as shown and described.

DESCRIPTION

FIG. 1 is a front, top and side perspective view of the picture frame stabalizer showing my new design;
FIG. 2 is a front elevational view thereof, the rear being a mirror image of the front shown in FIG. 2;
FIG. 3 is an end elevational view thereof, the end opposite being a mirror image of the end shown in FIG. 3;
FIG. 4 is a top plan view thereof; and,
FIG. 5 is a bottom plan view thereof.

1 Claim, 2 Drawing Sheets



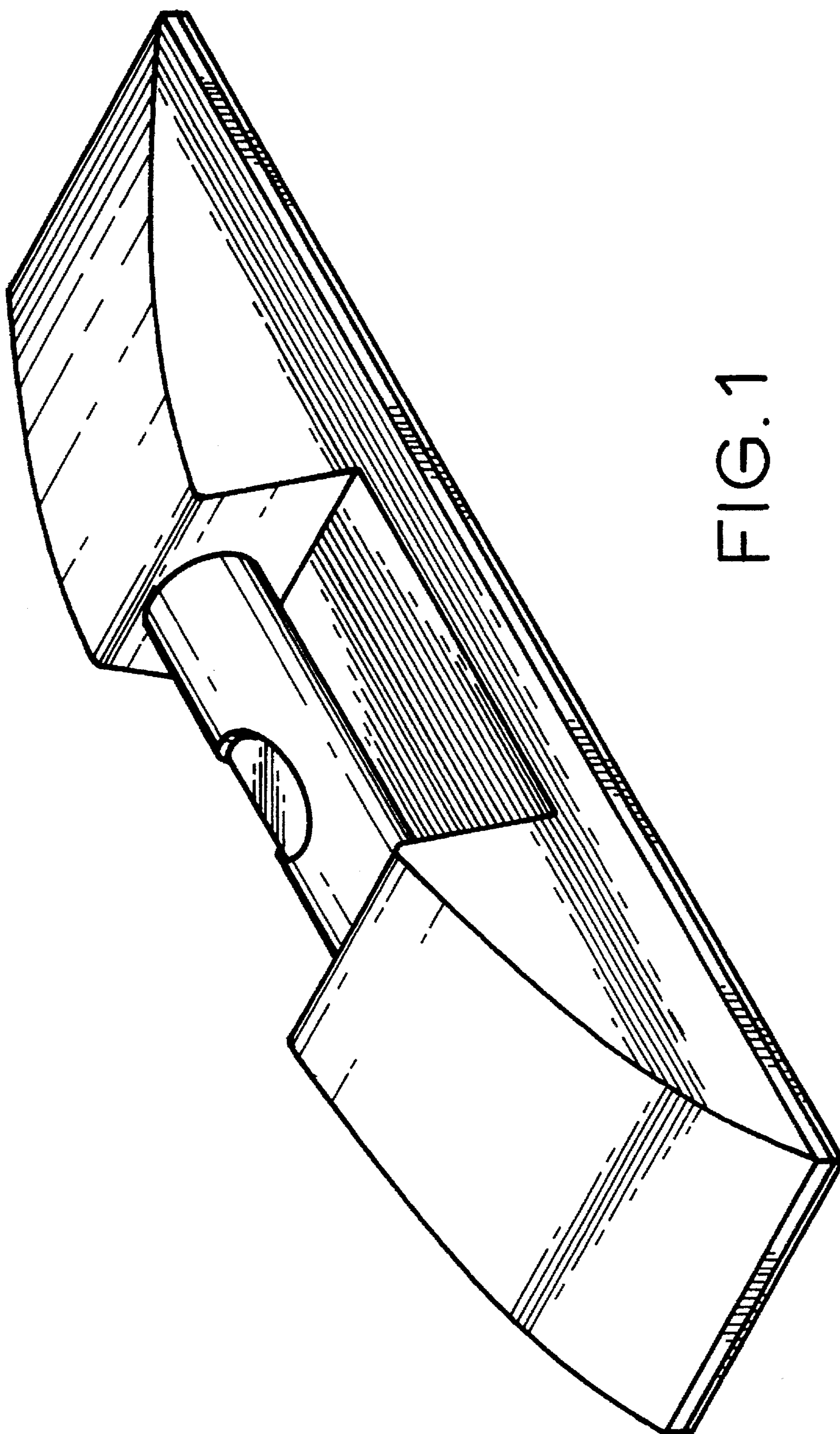


FIG. 1

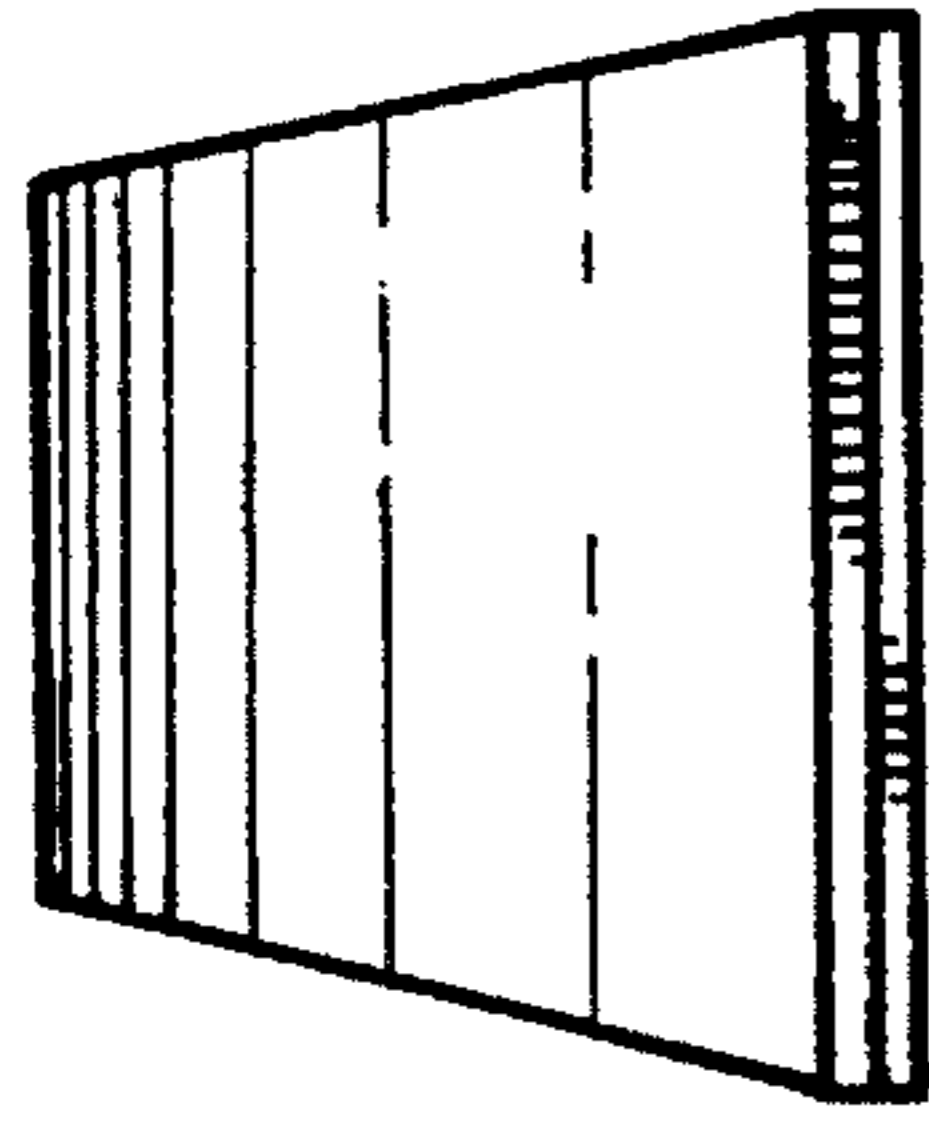


FIG. 3

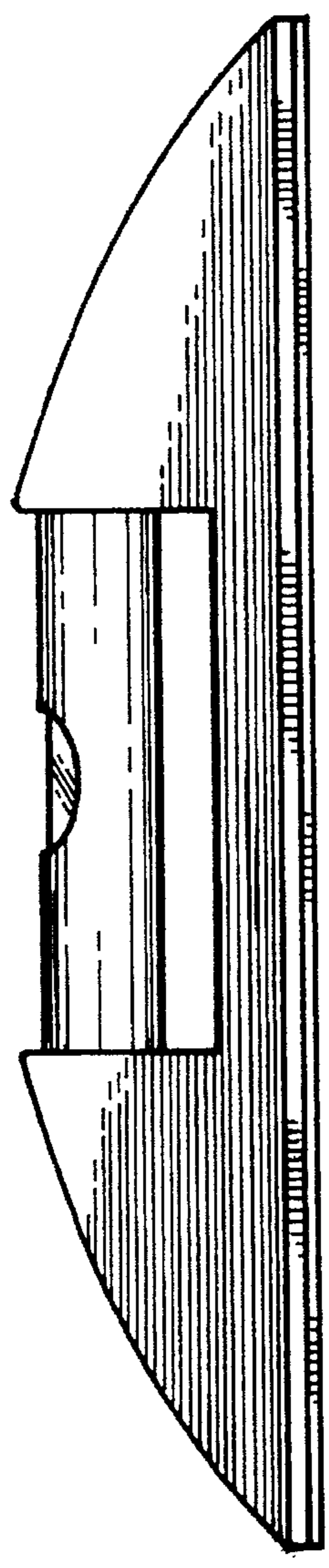


FIG. 2

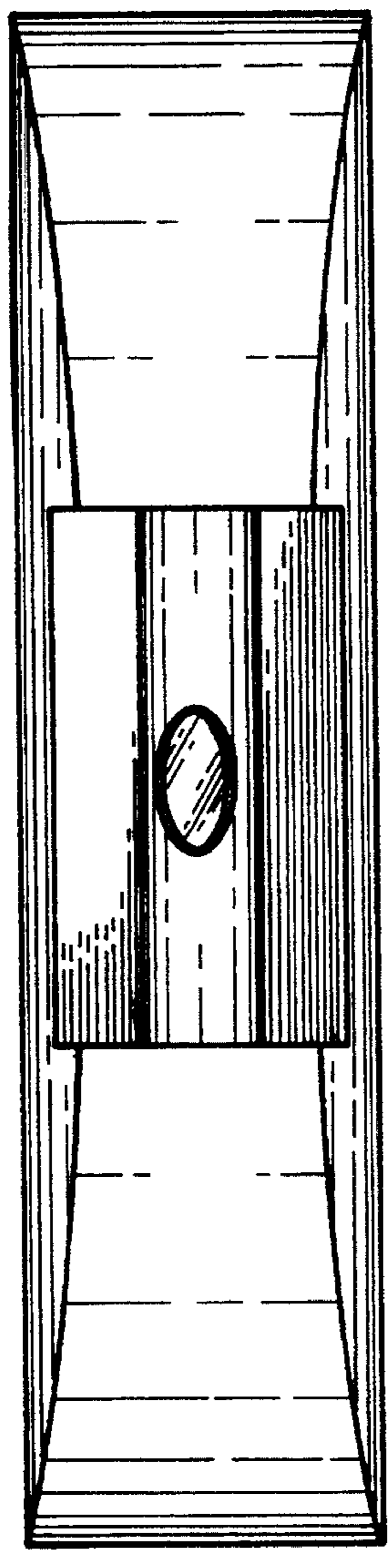


FIG. 4

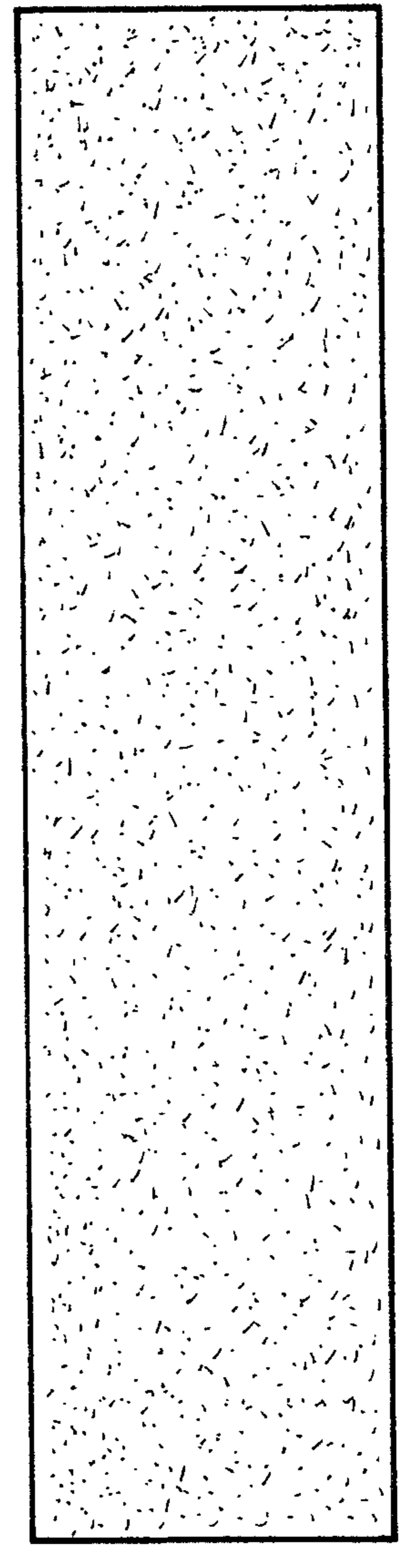


FIG. 5