



US00D368657S

United States Patent [19]
Newell

[11] **Patent Number:** **Des. 368,657**
[45] **Date of Patent:** ****Apr. 9, 1996**

[54] **PIZZA BOX**

[76] **Inventor:** **Lance L. Newell**, R.R. 5, Box 159 Tee Hill Rd., Queensbury, N.Y. 12804

[**] **Term:** **14 Years**

[21] **Appl. No.:** **34,791**

[22] **Filed:** **Feb. 13, 1995**

[52] **U.S. Cl.** **D9/432; D7/542**

[58] **Field of Search** **D9/341, 414, 416, D9/423, 429-433; 206/534.1, 551, 557; 229/406-407, 902, 904, 906**

[56] **References Cited**

U.S. PATENT DOCUMENTS

D. 214,391	6/1969	Weiss	229/407 X
D. 226,776	4/1973	Mider	D9/341 X
2,036,572	4/1936	Frost	229/406
2,426,856	9/1947	Berg	206/534.1 X
4,880,156	11/1989	Wallet	206/557 X

Primary Examiner—Ted Shooman
Assistant Examiner—Nanda Bondade
Attorney, Agent, or Firm—William M. Hobby, III

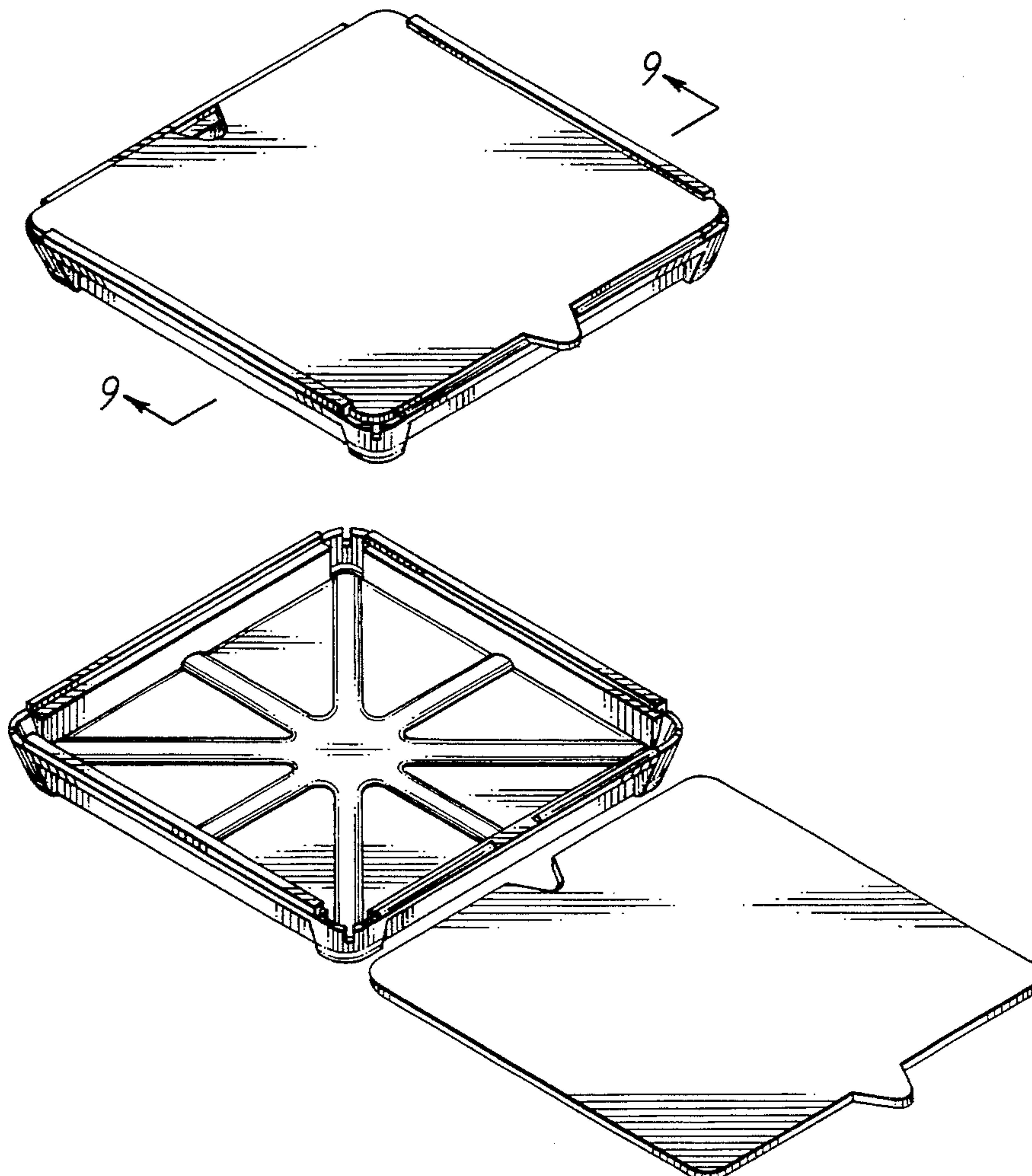
[57] **CLAIM**

The ornamental design for a pizza box design, as shown.

DESCRIPTION

FIG. 1 is a perspective view of a pizza box showing my new design;
FIG. 2 is an exploded perspective view thereof, having the lid removed;
FIG. 3 is a front elevational view thereof;
FIG. 4 is a left side elevational view thereof;
FIG. 5 is a right side elevational view thereof;
FIG. 6 is a rear elevational view thereof;
FIG. 7 is a top plan view of the lid portion;
FIG. 8 is a top plan view of the bottom portion;
FIG. 9 is a sectional view taken on the line 9—9 of FIG. 1;
FIG. 10 is a sectional view taken on the line 10—10 of FIG. 8;
FIG. 11 is a front elevational view of the lid portion;
FIG. 12 is a bottom plan view thereof; and,
FIG. 13 is a side elevation of the lid portion.
FIGS. 7, 11 and 13 are only the lid portions, shown separately for clarity of illustration and
FIGS. 8 and 10 are only the bottom portions, shown separately for clarity of illustration.

1 Claim, 2 Drawing Sheets



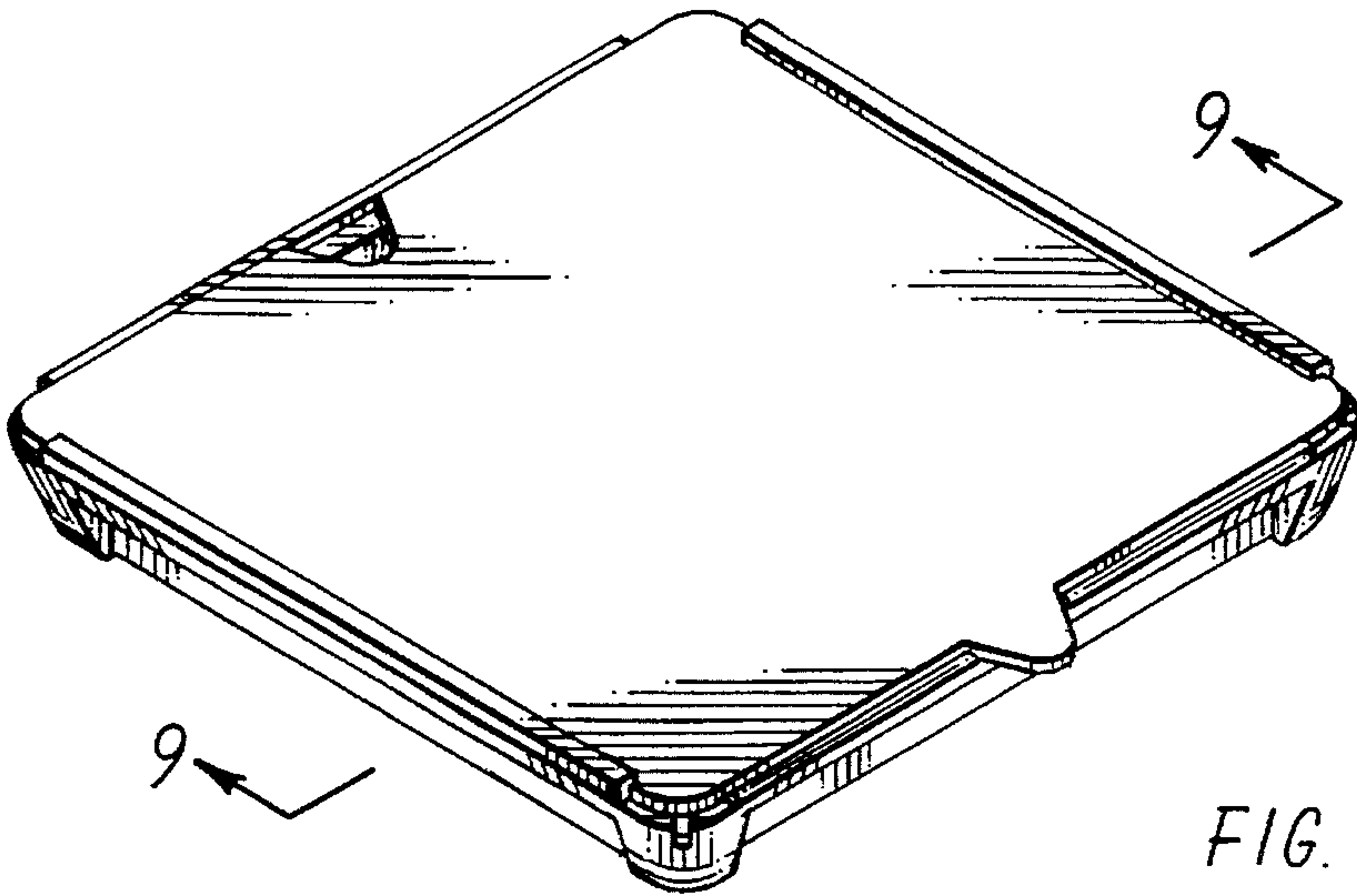


FIG. 1

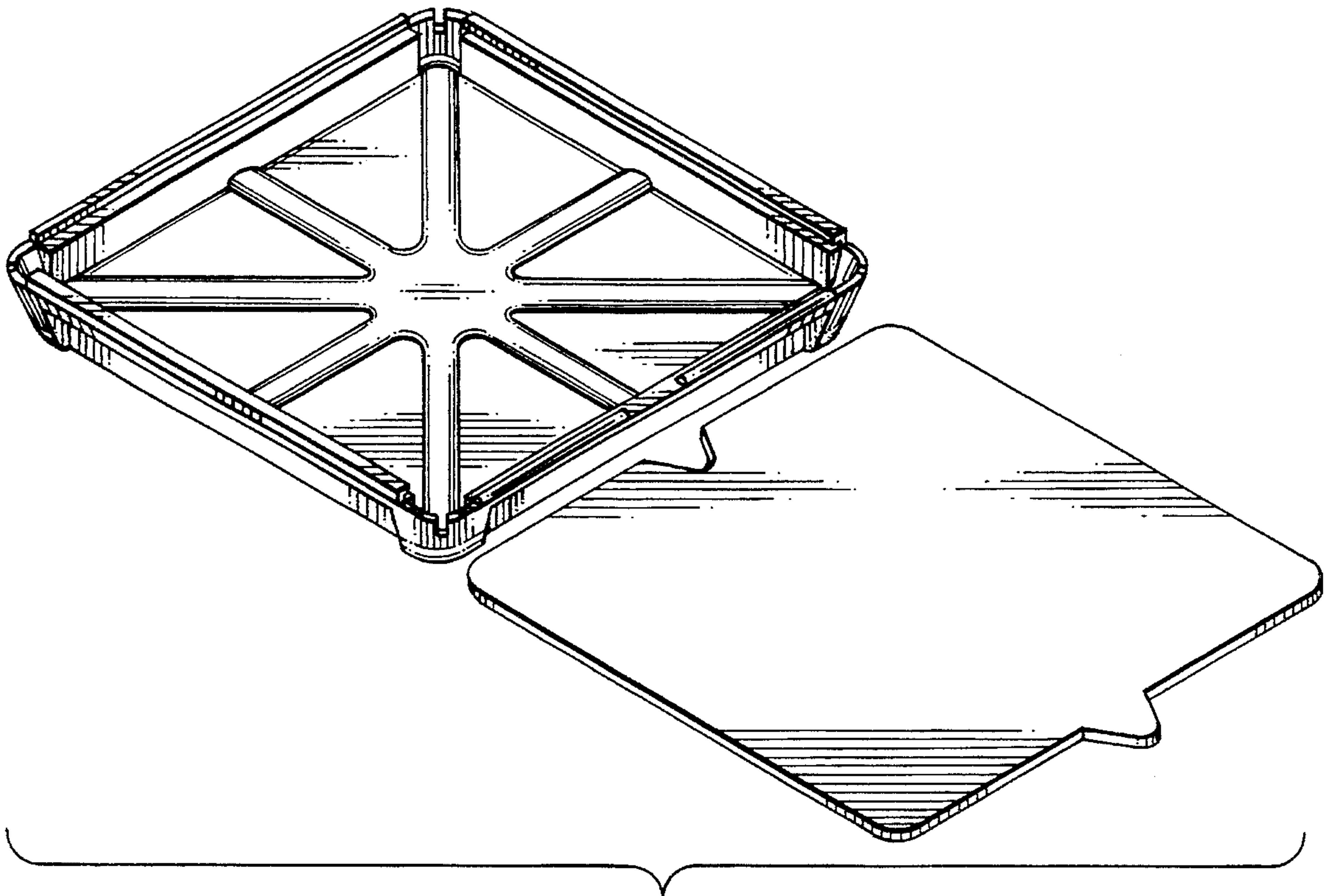


FIG. 2



FIG. 3



FIG. 4

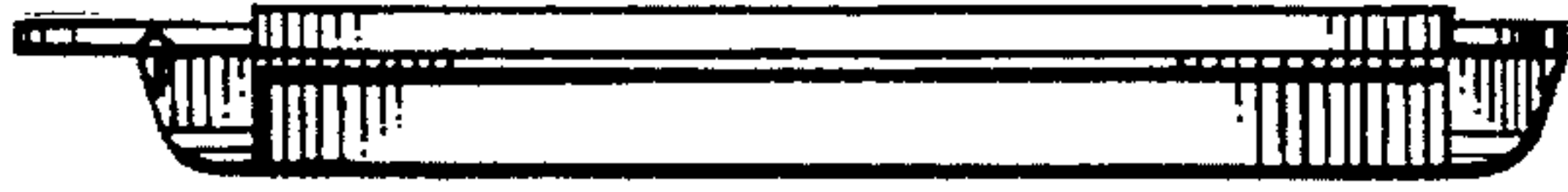


FIG. 5

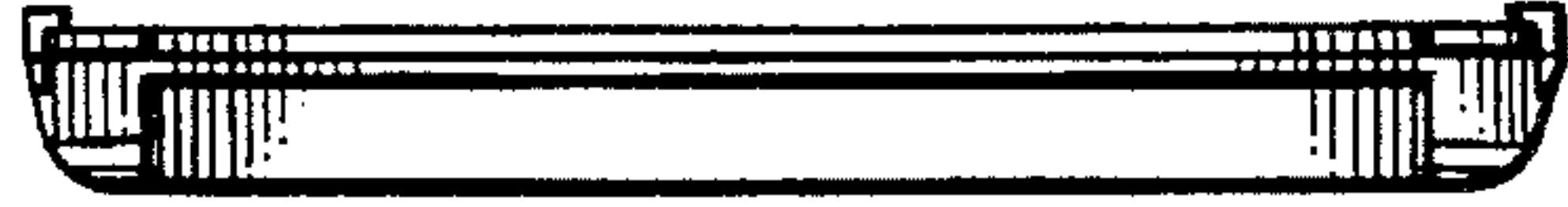


FIG. 6

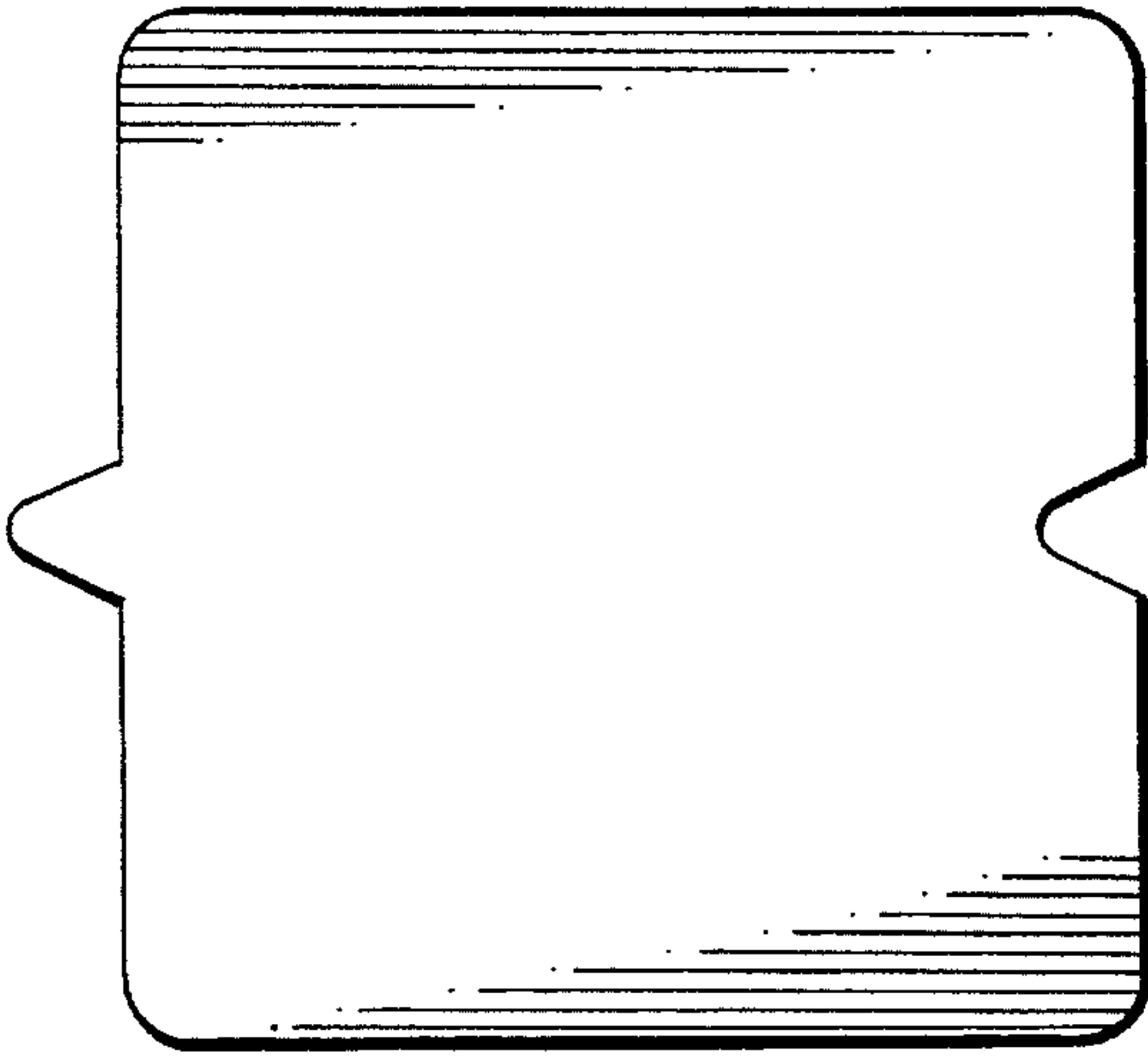


FIG. 7

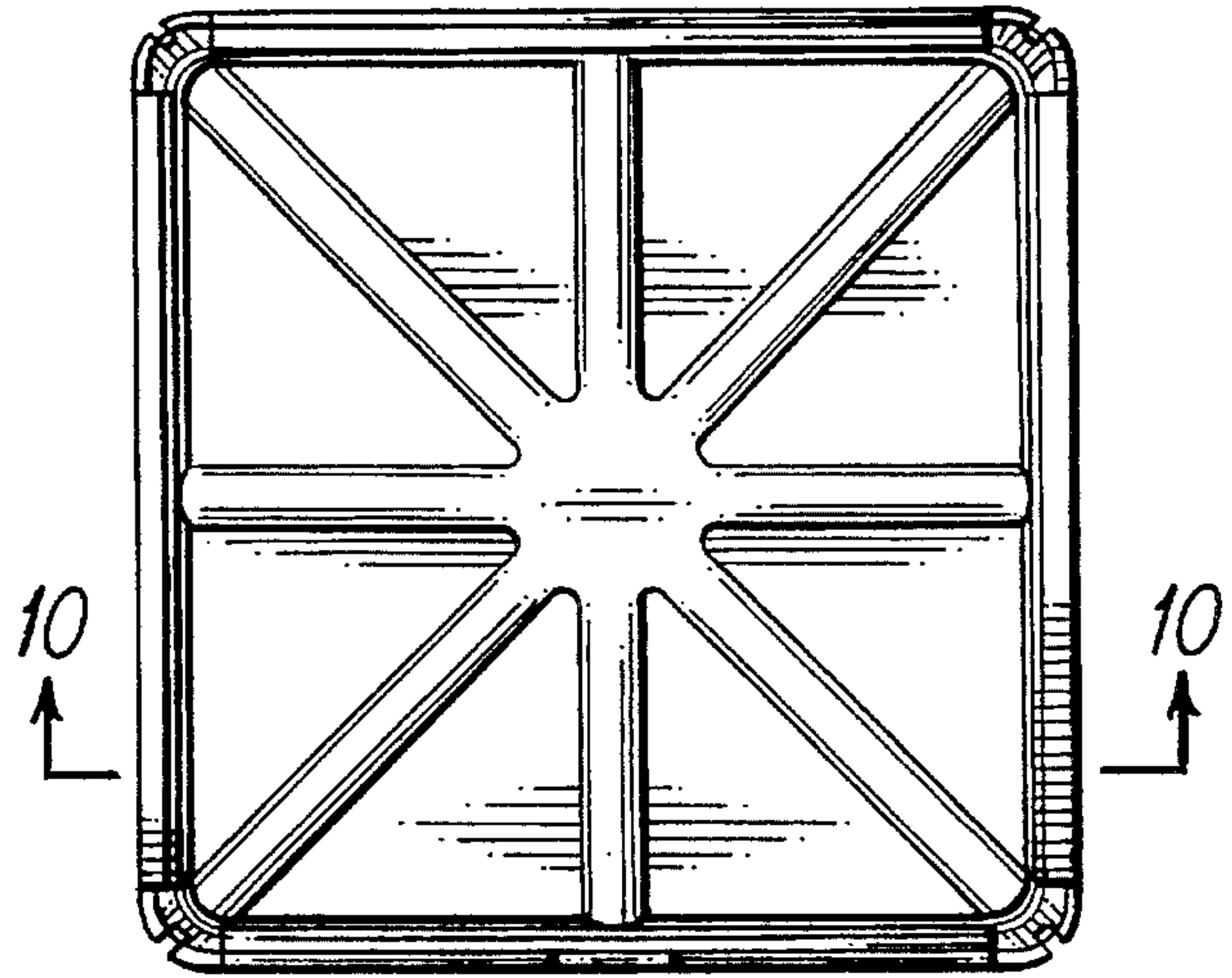


FIG. 8



FIG. 9



FIG. 10



FIG. 11

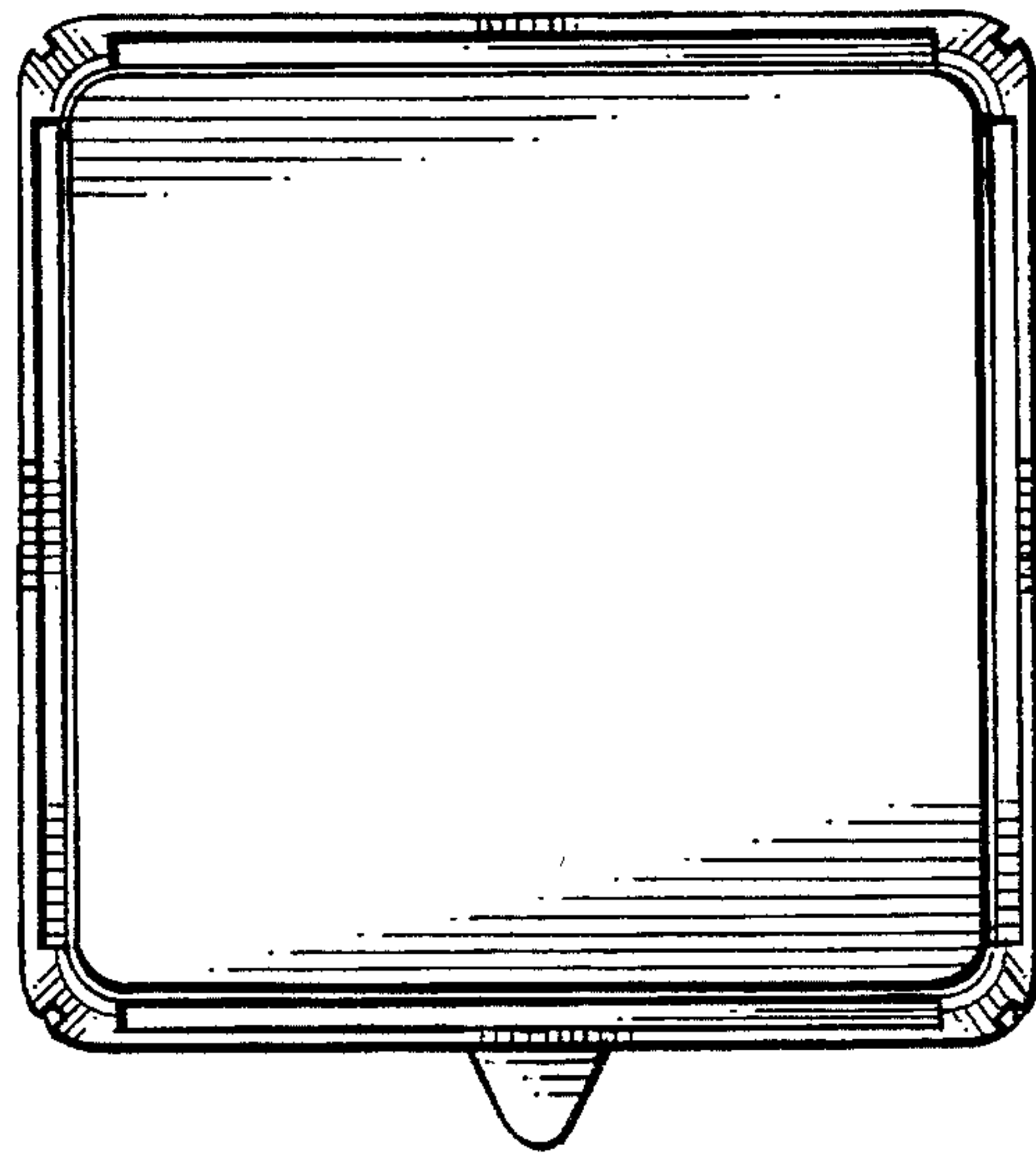


FIG. 12



FIG. 13