



US00D368656S

United States Patent [19]
Campbell-Scott

[11] **Patent Number:** **Des. 368,656**
[45] **Date of Patent:** ****Apr. 9, 1996**

[54] **CONTAINER**

[76] **Inventor:** **Peggy J. Campbell-Scott**, 2612 W. Lingard St., Lancaster, Calif. 93536

[**] **Term:** **14 Years**

[21] **Appl. No.:** **29,335**

[22] **Filed:** **Oct. 3, 1994**

[52] **U.S. Cl.** **D9/430; D9/341**

[58] **Field of Search** **D9/341, 347, 420, D9/423, 430, 432; 220/23.8, 555, 556; 229/120.08, 122, 125.25**

[56] **References Cited**

U.S. PATENT DOCUMENTS

3,429,474	2/1969	Cann	220/555
4,142,566	3/1979	Stolp	229/122 X
4,989,728	2/1991	Neyret et al.	D9/432 X

FOREIGN PATENT DOCUMENTS

2115386	9/1983	United Kingdom	229/125
---------	--------	----------------	-------	---------

Primary Examiner—Ted Shooman
Assistant Examiner—Nanda Bondade
Attorney, Agent, or Firm—Allan M. Shapiro

[57] **CLAIM**

The ornamental design for a container, as shown and described.

DESCRIPTION

FIG. 1 is a front, top and right side perspective view of a container showing my new design;
FIG. 2 is a top plan view thereof;
FIG. 3 is a front elevational view thereof;
FIG. 4 is a right side elevational view thereof;
FIG. 5 is a left side elevational view thereof;
FIG. 6 is a front, top and right side perspective view thereof, showing a door and a drawer in an open position; and,
FIG. 7 is a rear, bottom and left side perspective view thereof, showing a door and a drawer in an open position.

1 Claim, 2 Drawing Sheets

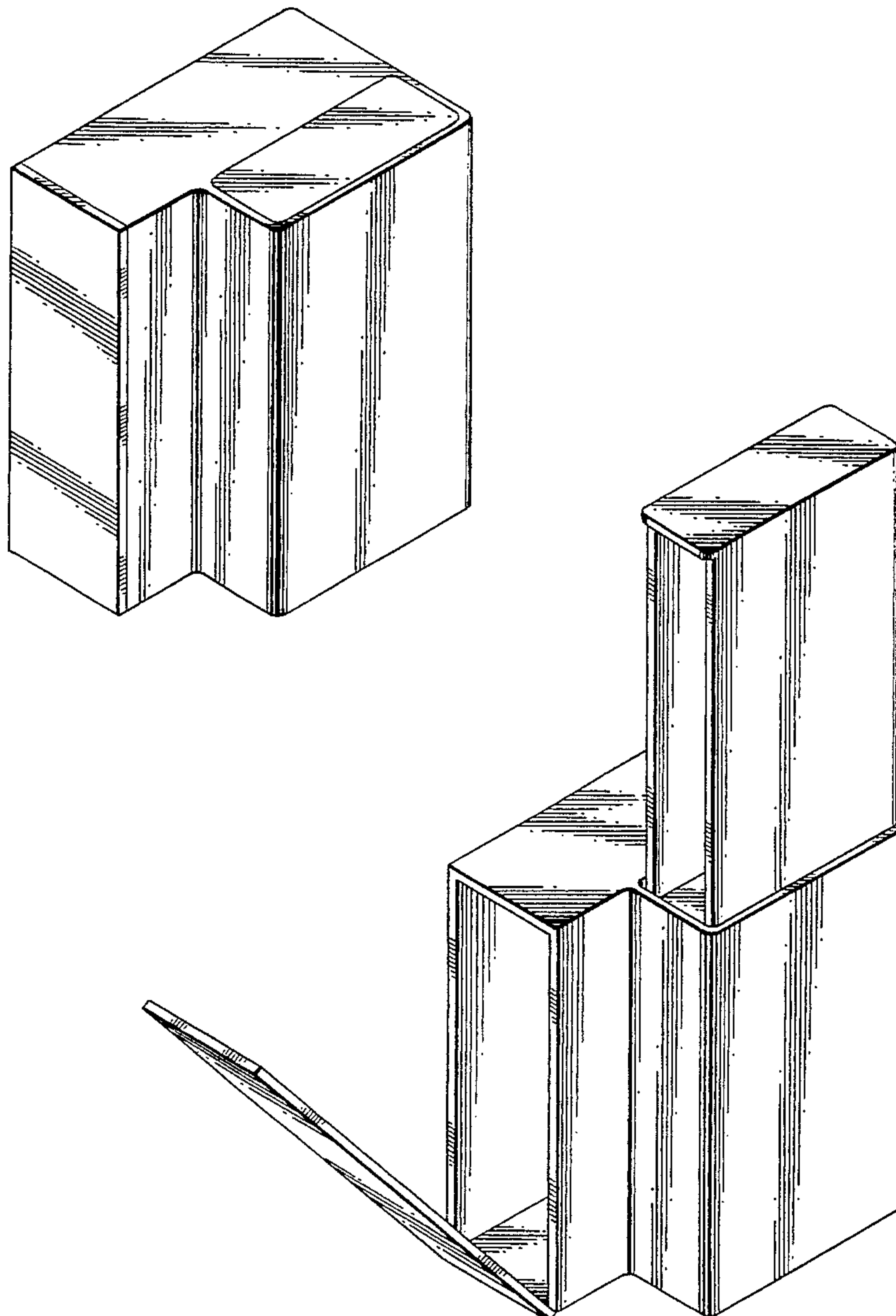


FIG. 1

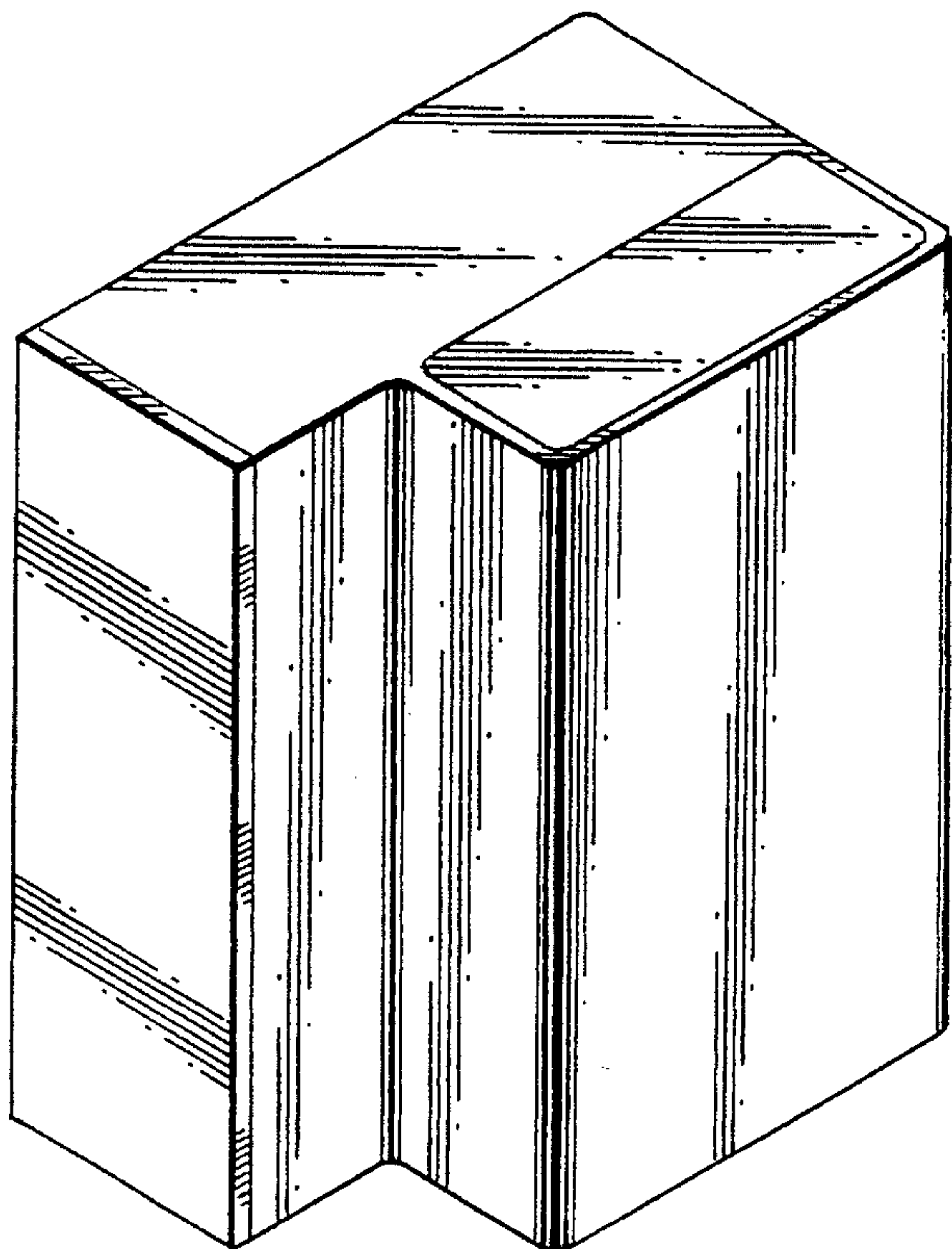


FIG. 2

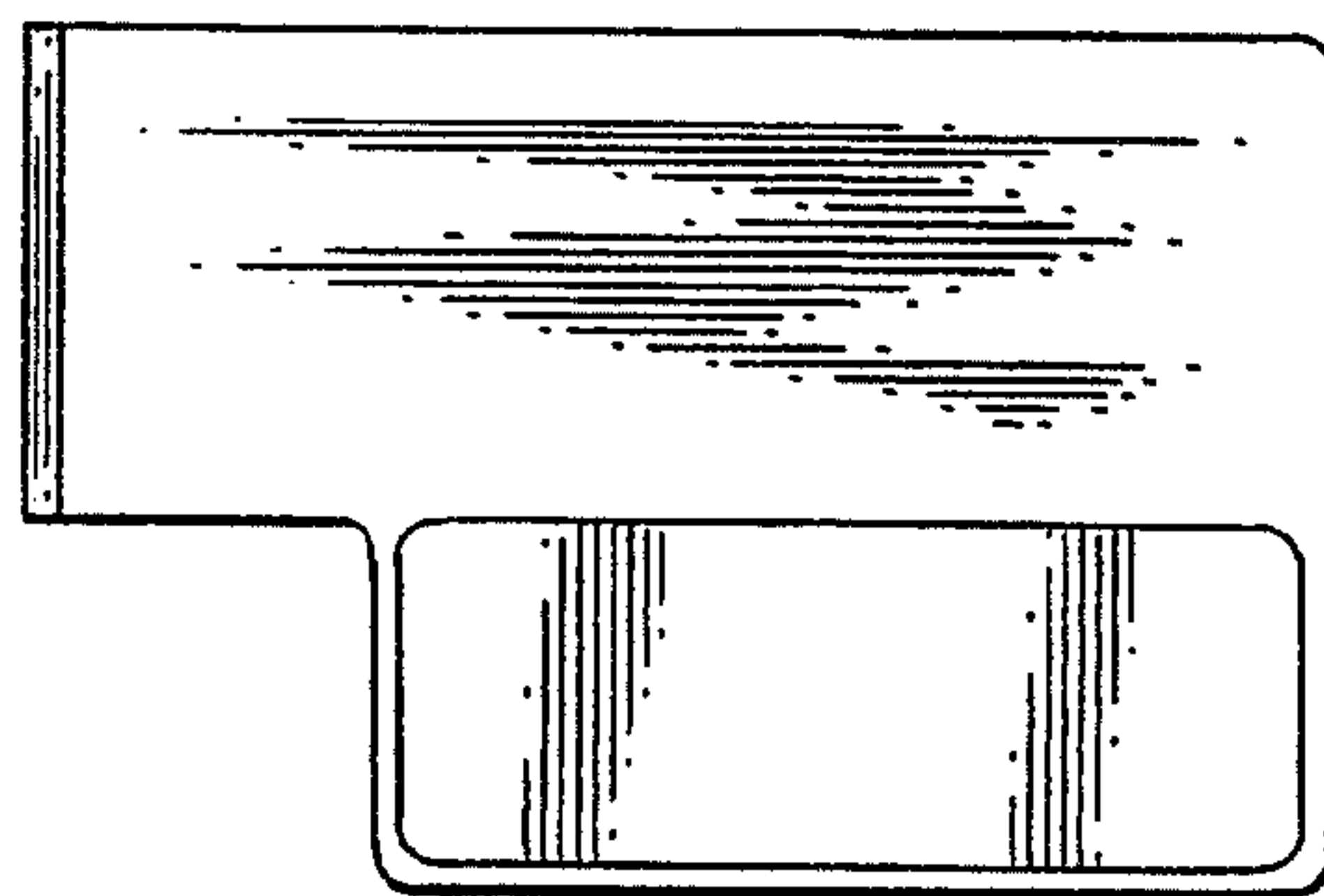


FIG. 6

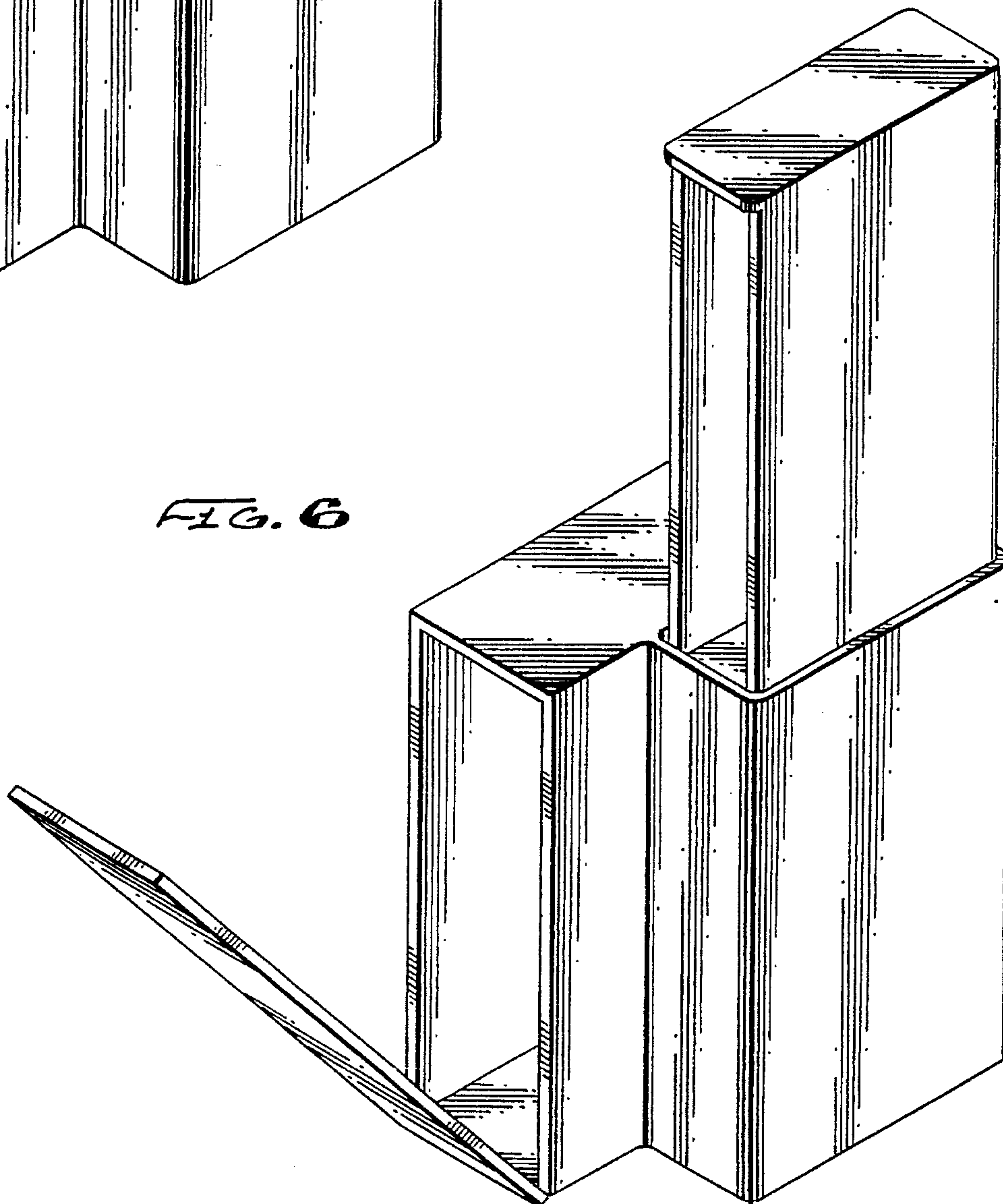


FIG. 7

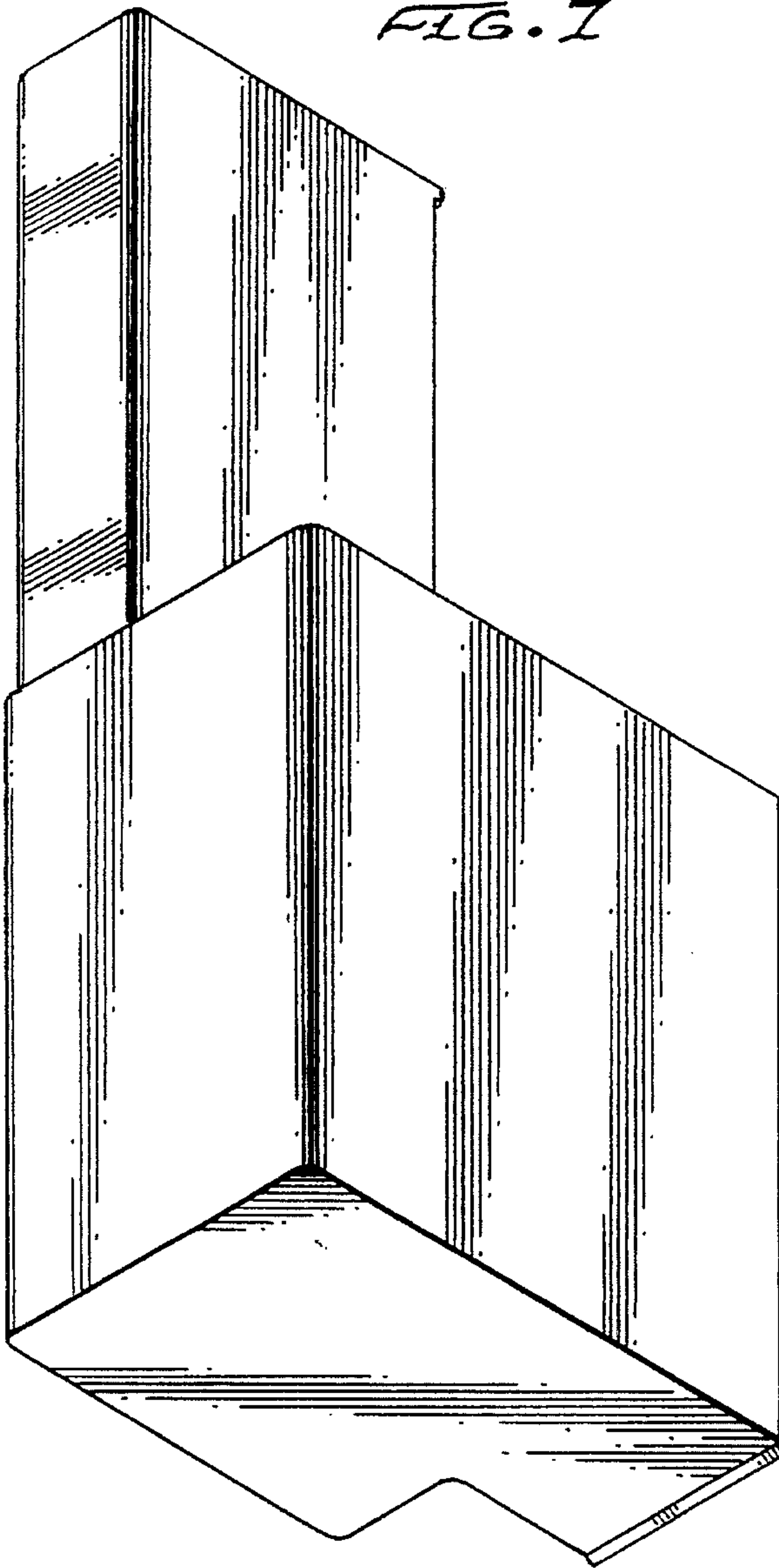


FIG. 3

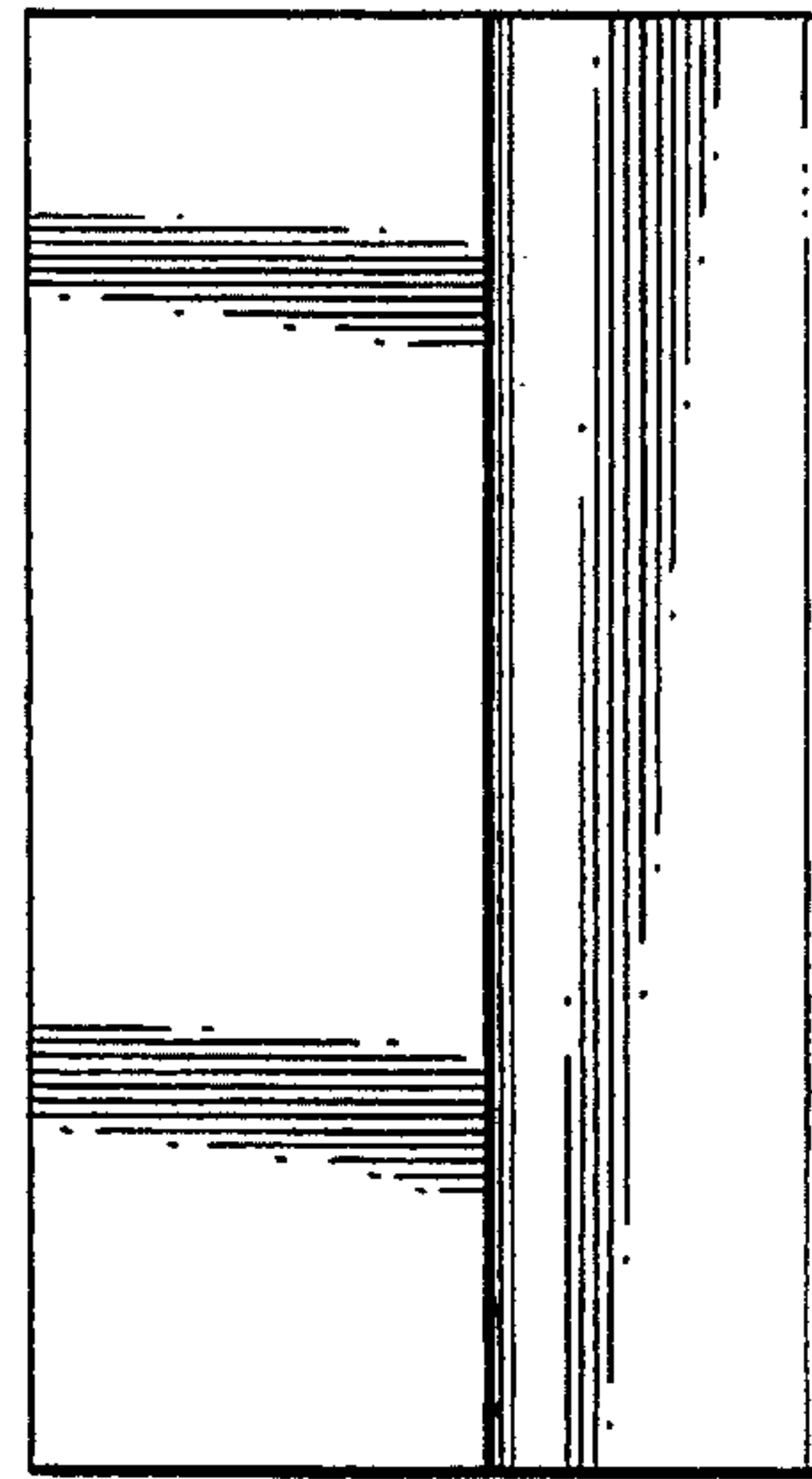


FIG. 4

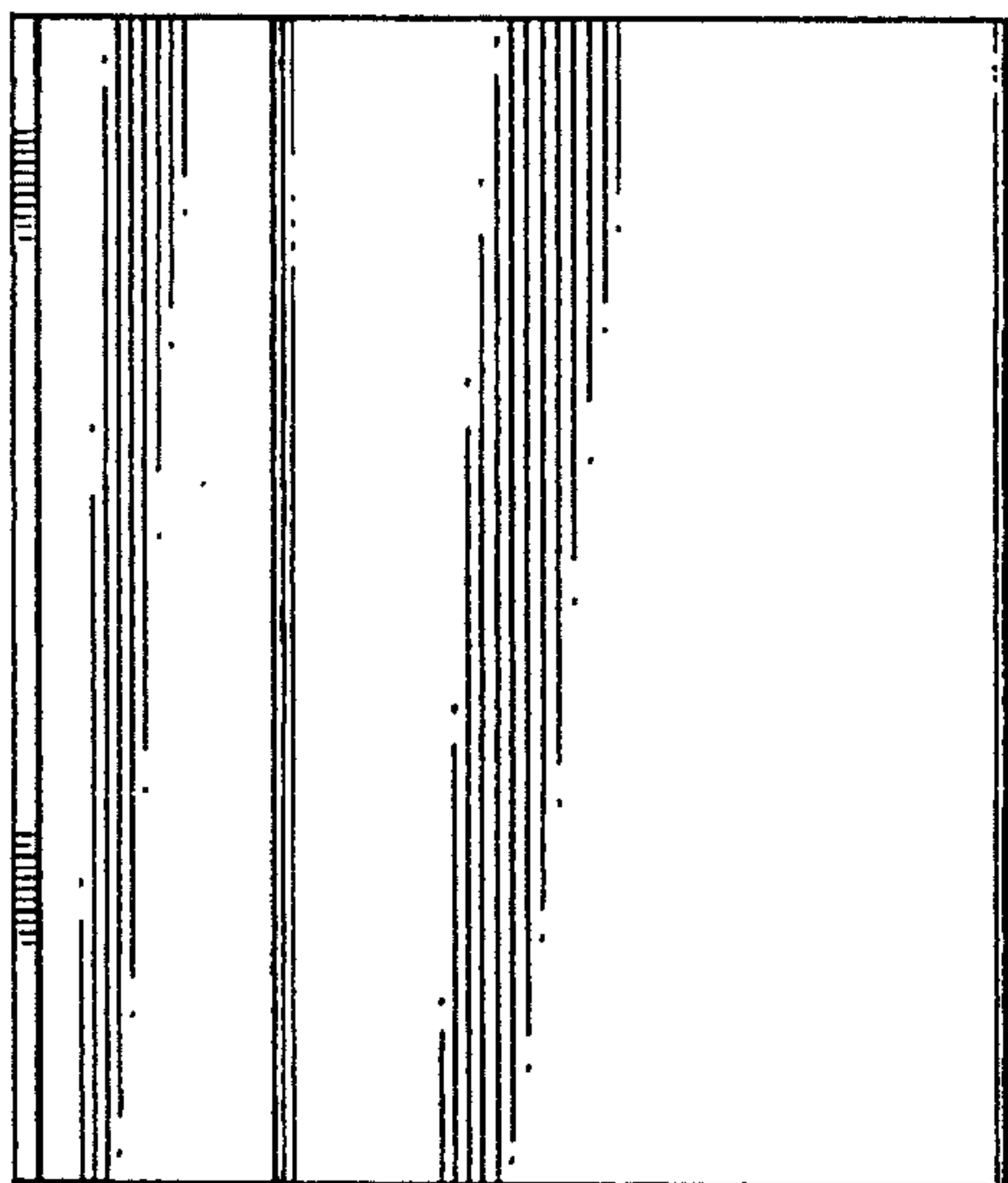


FIG. 5

