



US00D368654S

# United States Patent [19]

Santoiemmo et al.

[11] Patent Number: **Des. 368,654**

[45] Date of Patent: **\*\*Apr. 9, 1996**

## [54] DISPENSER FOR LOOSE-FILL MATERIAL

[75] Inventors: **Carl V. Santoiemmo**, Highland Heights; **Dale Panasewicz**, Strongsville, both of Ohio

[73] Assignee: **Ranpak Corp.**, Painesville, Ohio

[\*\*] Term: **14 Years**

[21] Appl. No.: **27,937**

[22] Filed: **Sep. 1, 1994**

[52] U.S. Cl. .... **D9/415**

[58] Field of Search ..... D9/415, 418, 416, D9/337, 341, 414; 206/461-471, 806, 45.34, 44 R, 495

### [56] References Cited

#### U.S. PATENT DOCUMENTS

D. 227,229	6/1973	Funahashi .....	D9/415
D. 249,639	9/1978	Hogg et al. ....	D9/415
D. 354,911	1/1995	Weatherford et al. ....	D9/415
D. 357,626	4/1995	Snow et al. ....	D9/415
3,391,783	7/1968	Gantz .....	D9/415 X
4,315,569	2/1982	Jaeschke .....	206/806 X
4,326,546	4/1982	Acker .....	206/461 X
4,630,734	12/1986	Severin et al. ....	206/461
5,292,003	3/1994	Baghdassarian .....	206/471 X

## OTHER PUBLICATIONS

Modern Packaging, 1972-73, p. 104.

Modern Packaging, 1963, p. 334.

Packaging, Aug. 1986, p. 53.

*Primary Examiner*—Prabhakar G. Deshmukh

*Attorney, Agent, or Firm*—Renner, Otto, Boisselle & Sklar

## [57] CLAIM

The ornamental design for a dispenser for loose-fill material, as shown and described.

## DESCRIPTION

FIG. 1 is a perspective view of a dispenser for loose-fill material showing the front, top and right side of our new design;

FIG. 2 is a perspective view of the dispenser showing the rear, top and left side;

FIG. 3 is an elevation view of the rear of the dispenser;

FIG. 4 is an elevation view of the right side of the dispenser;

FIG. 5 is an elevation view of the left side of the dispenser;

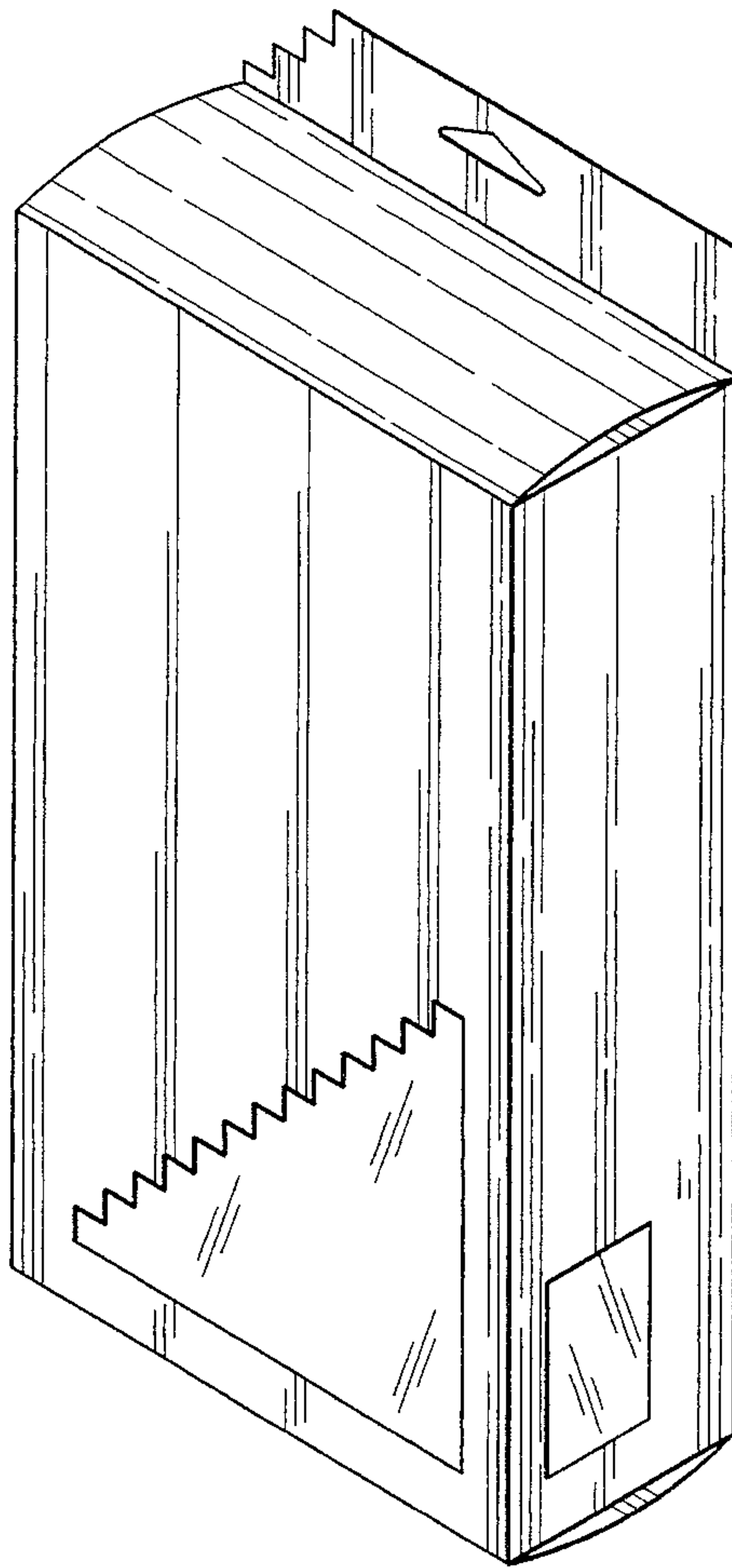
FIG. 6 is an elevation view of the rear of the dispenser;

FIG. 7 is a top end view of the dispenser;

FIG. 8 is a bottom end view of the dispenser; and,

FIG. 9 is an exploded perspective view of the dispenser; with the pull out strip removed for clarity.

**1 Claim, 7 Drawing Sheets**



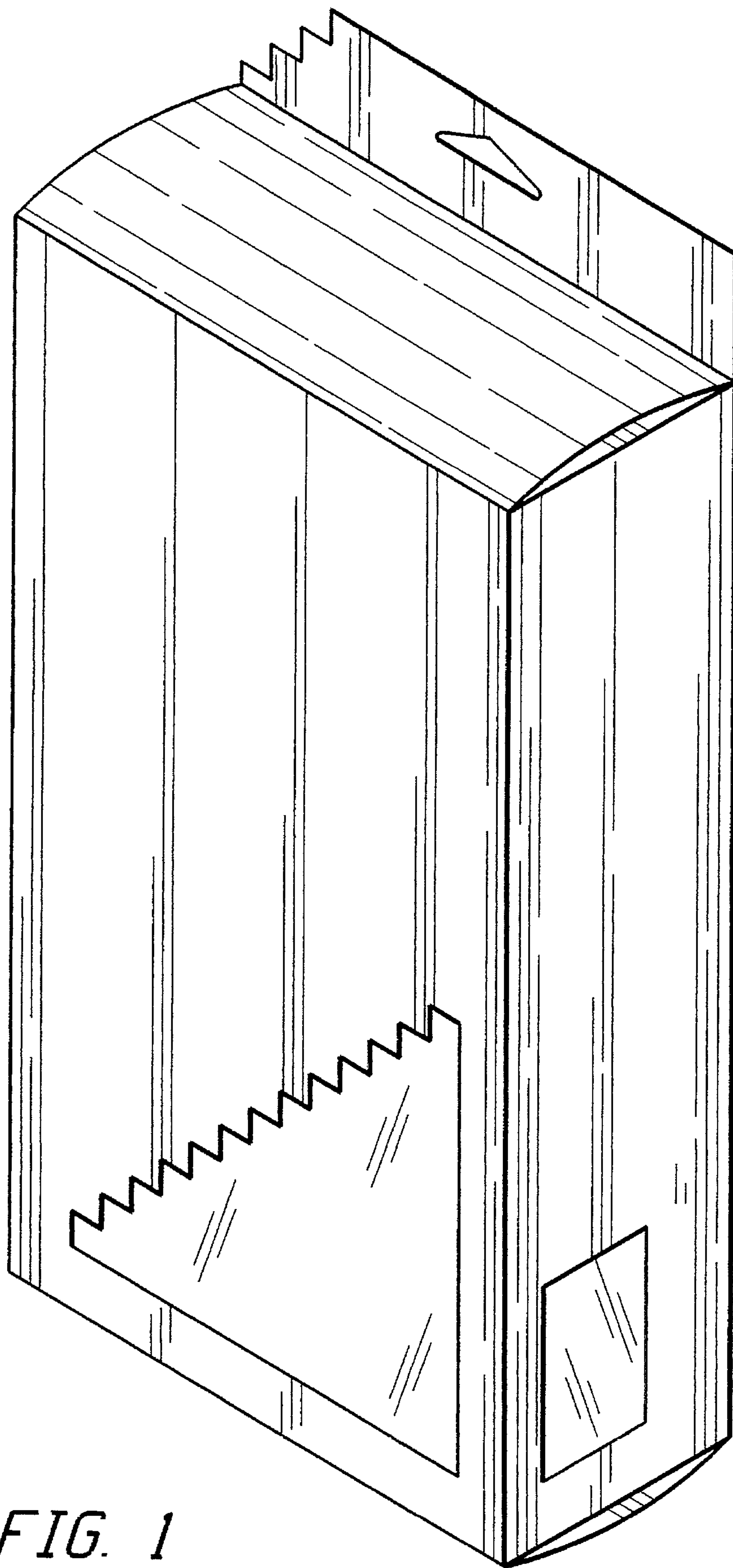


FIG. 1

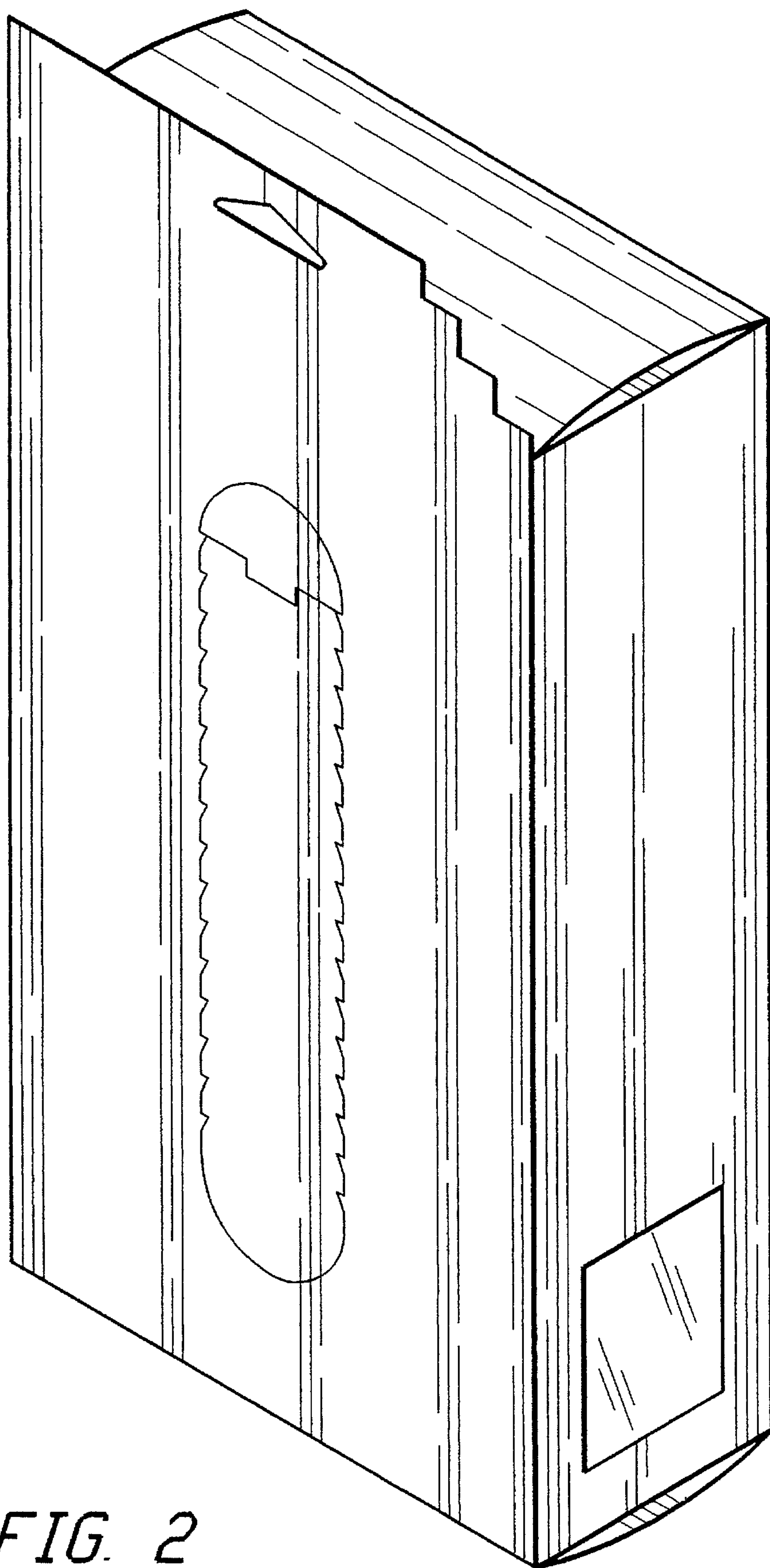


FIG. 2

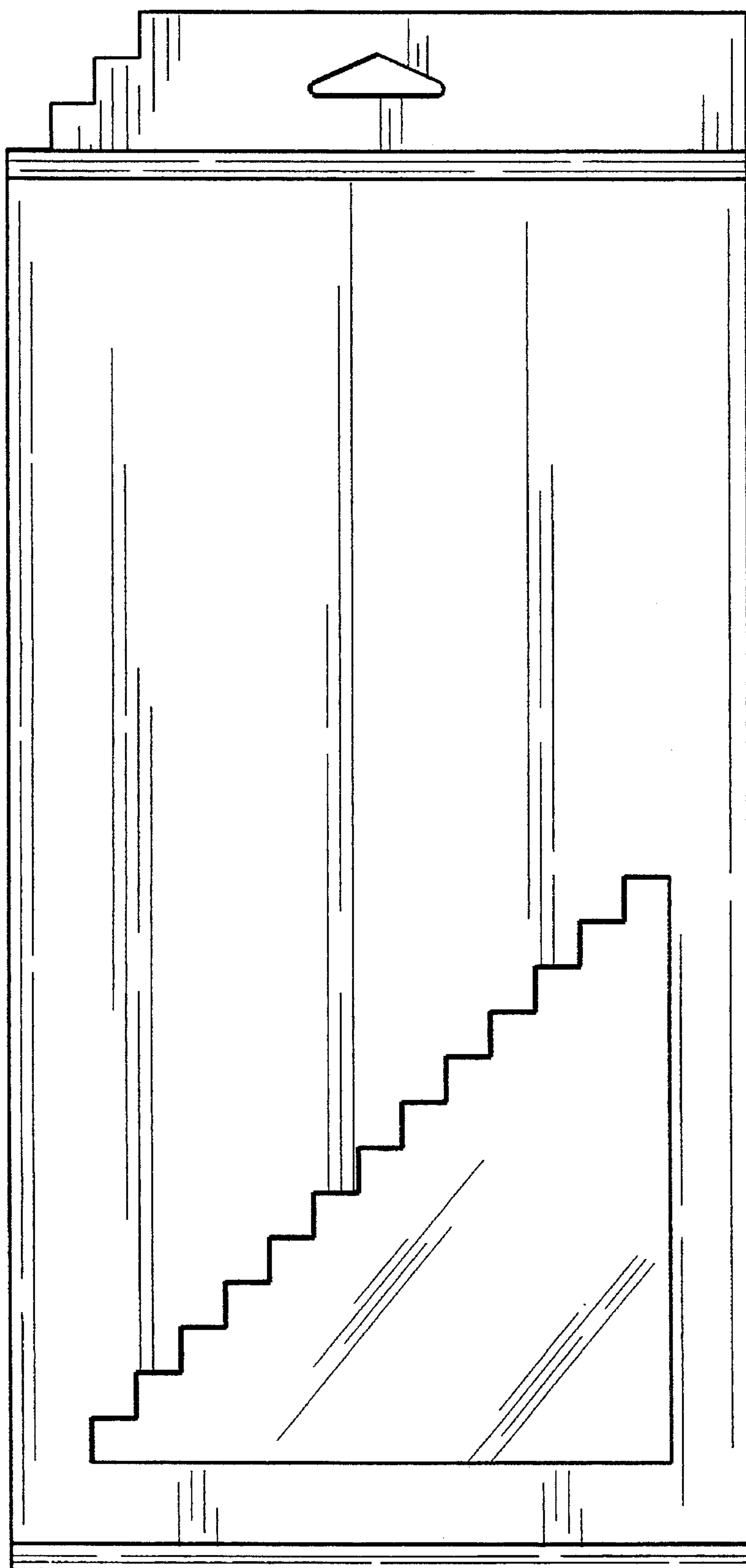
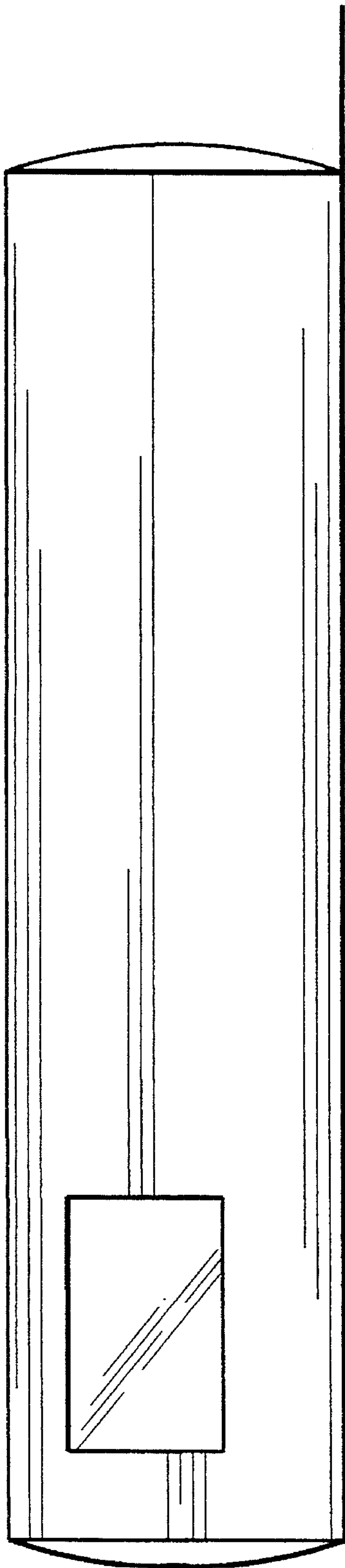
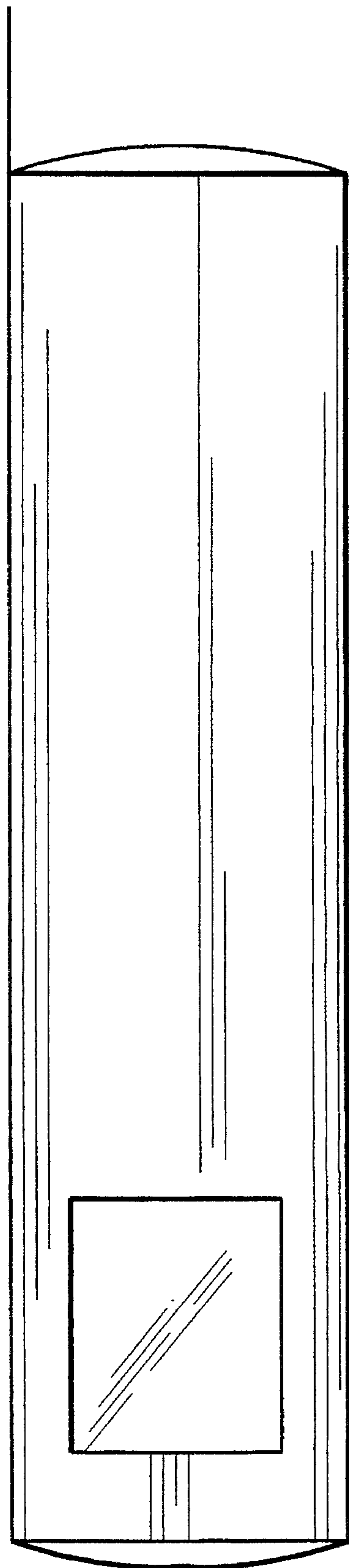


FIG. 3





*FIG. 4*



*FIG. 5*

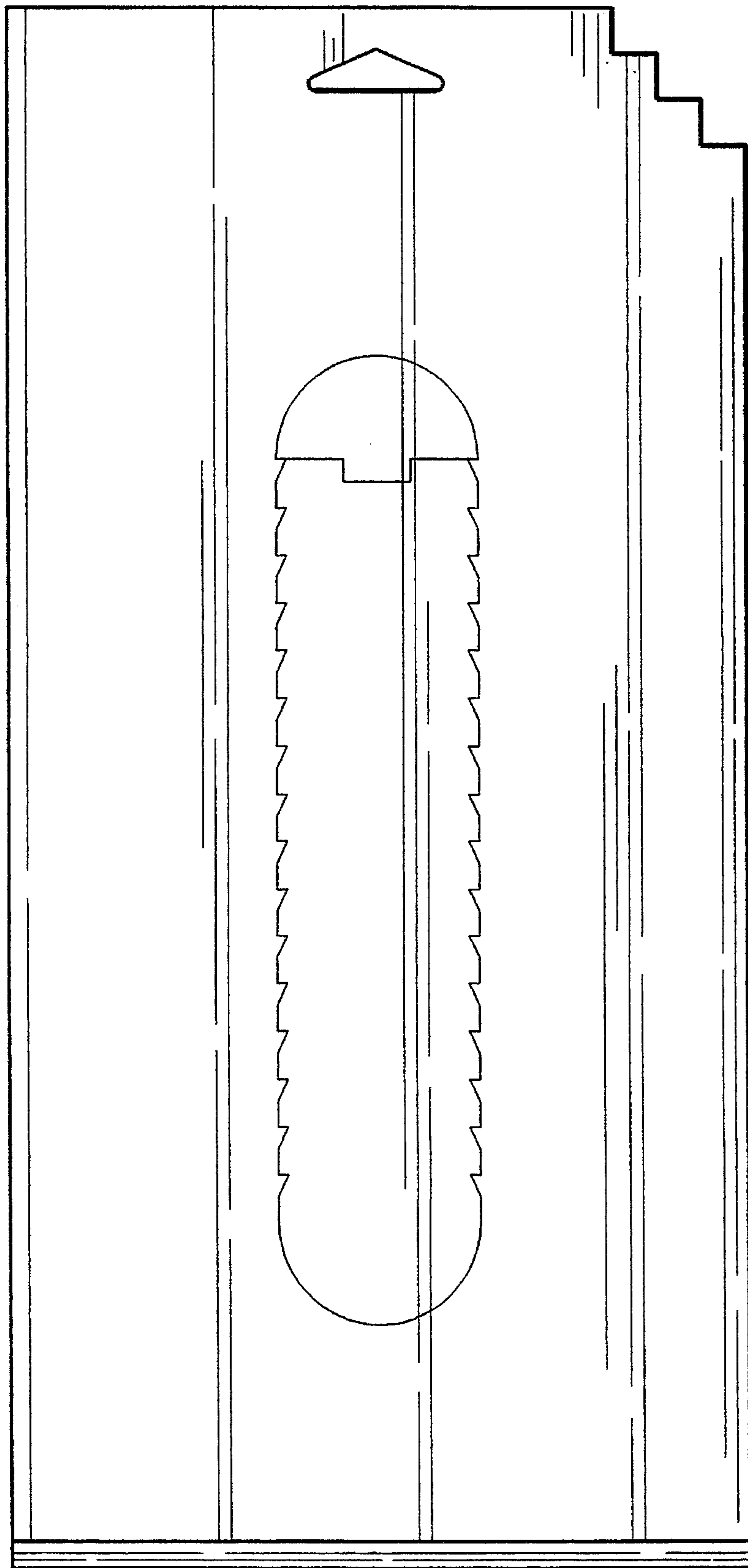
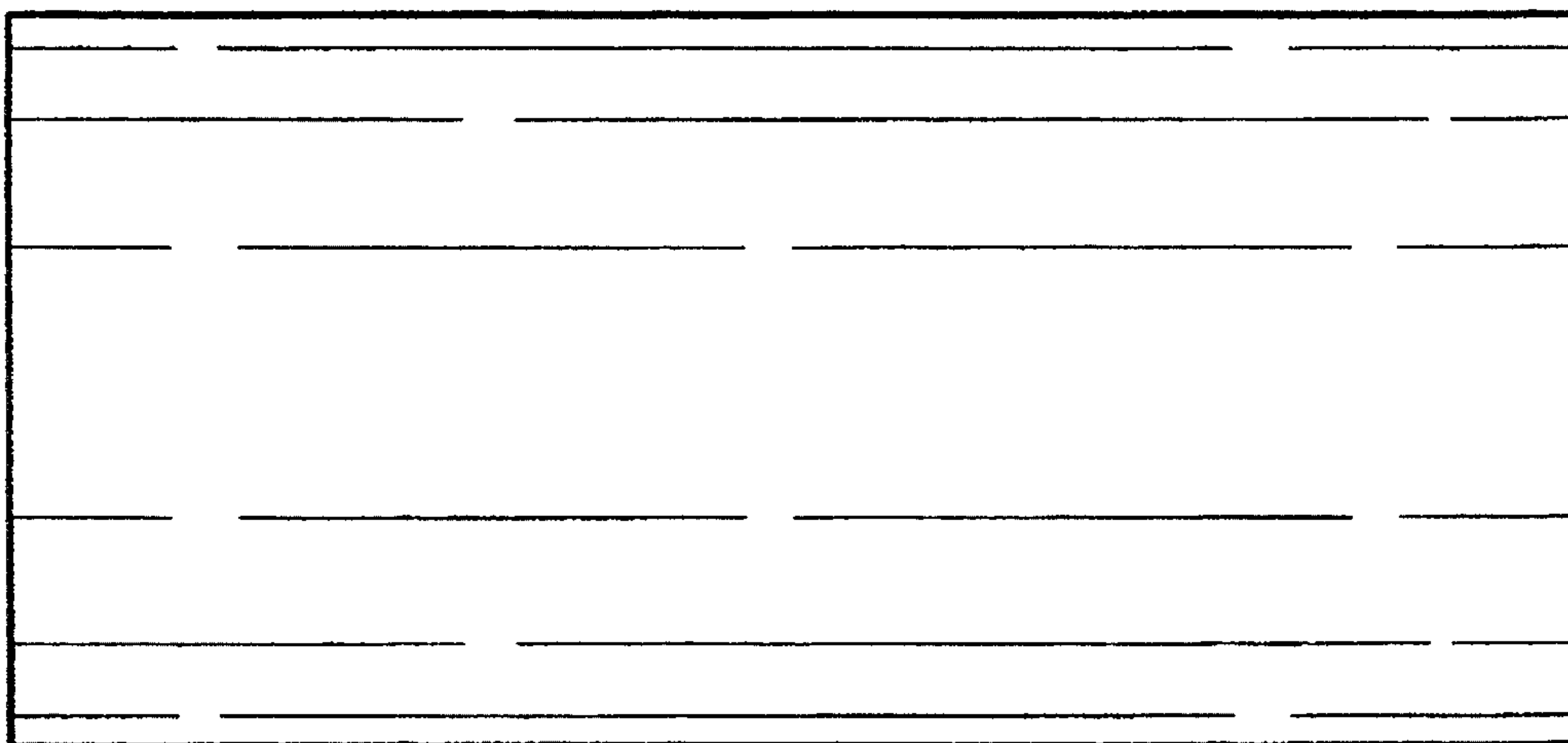
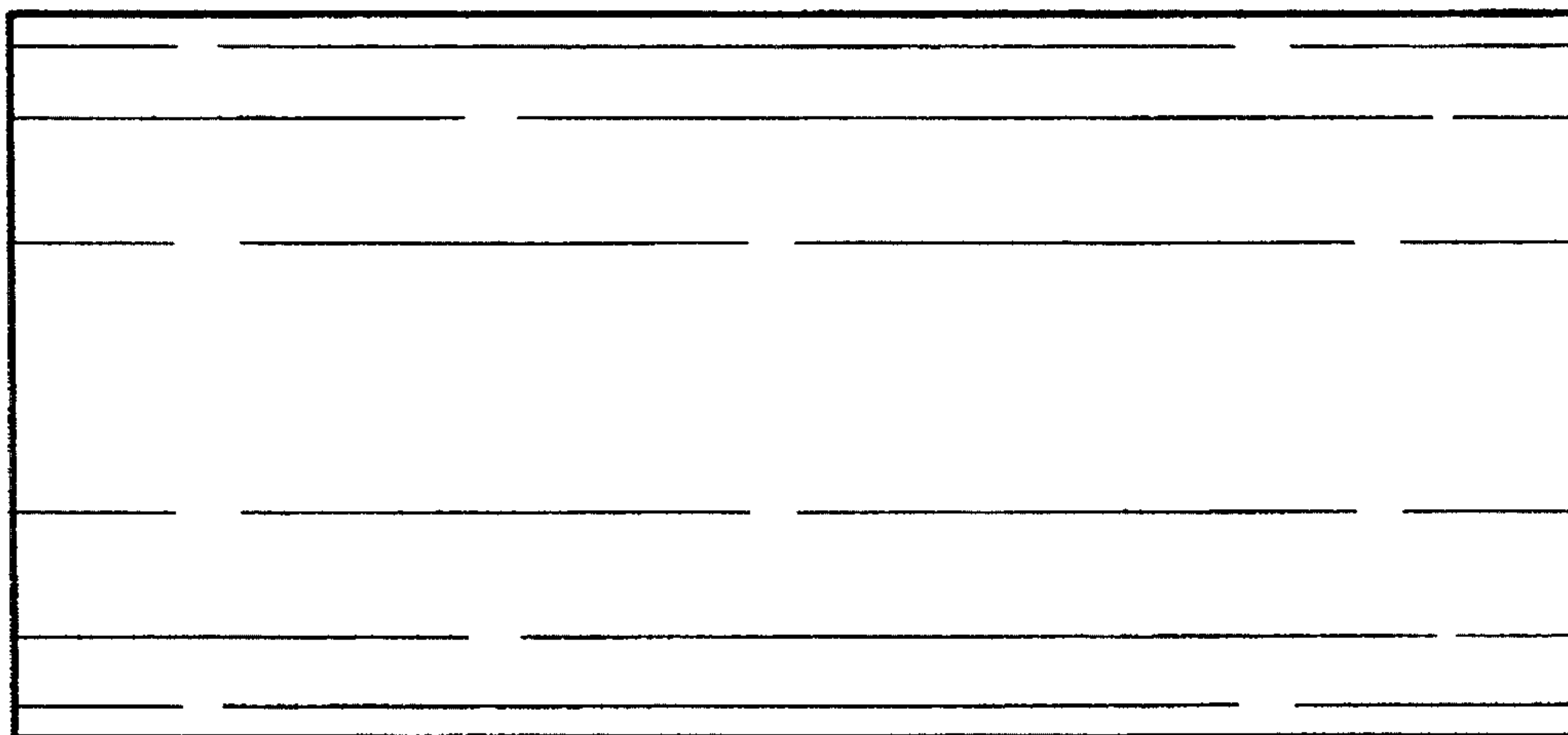


FIG. 6



*FIG. 7*



*FIG. 8*

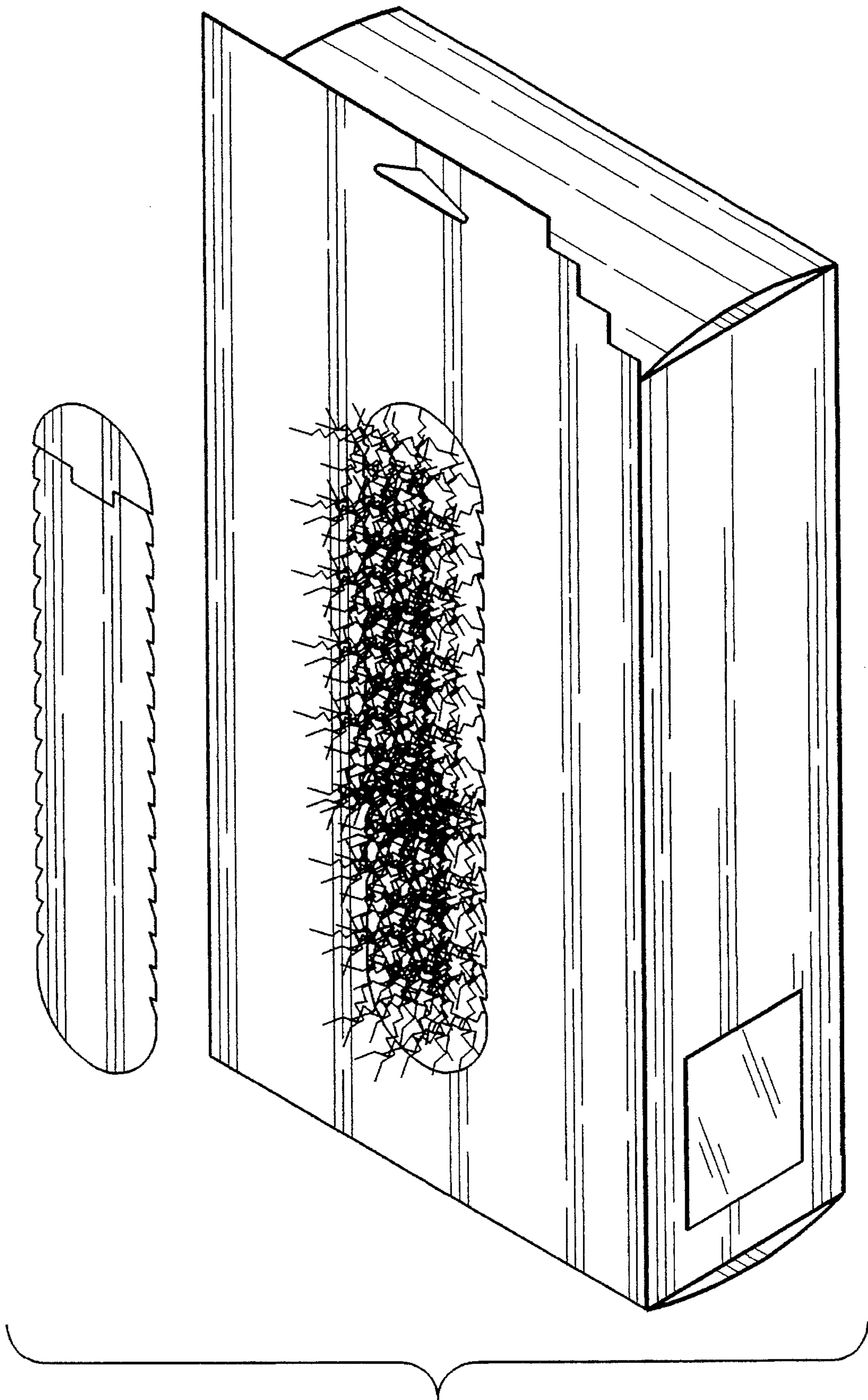


FIG. 9