



US00D368650S

# United States Patent [19]

[11] Patent Number: **Des. 368,650**

Wastermark

[45] Date of Patent: **\*\*Apr. 9, 1996**

[54] **COMBINED NAIL PLATE AND STAPLE**

4,458,387 7/1984 Pearson ..... 411/461 X

[76] Inventor: **Kurt-Goran Wastermark**, Roddargatan  
36, S-931 54 Skellefteå, Sweden

4,641,474 2/1987 Cannarsa ..... D8/382 X

4,831,808 5/1989 Wynar ..... D8/390 X

[\*\*] Term: **14 Years**

*Primary Examiner*—Ted Shooman  
*Assistant Examiner*—Paula Mortimer  
*Attorney, Agent, or Firm*—Cushman Darby & Cushman

[21] Appl. No.: **30,228**

[57] **CLAIM**

[22] Filed: **Oct. 24, 1994**

The ornamental design for a combined nail plate and staple,  
as shown.

[52] U.S. Cl. .... **D8/390**

[58] Field of Search ..... D8/389, 390, 382;  
411/439, 457, 461, 462, 463, 466, 469

### DESCRIPTION

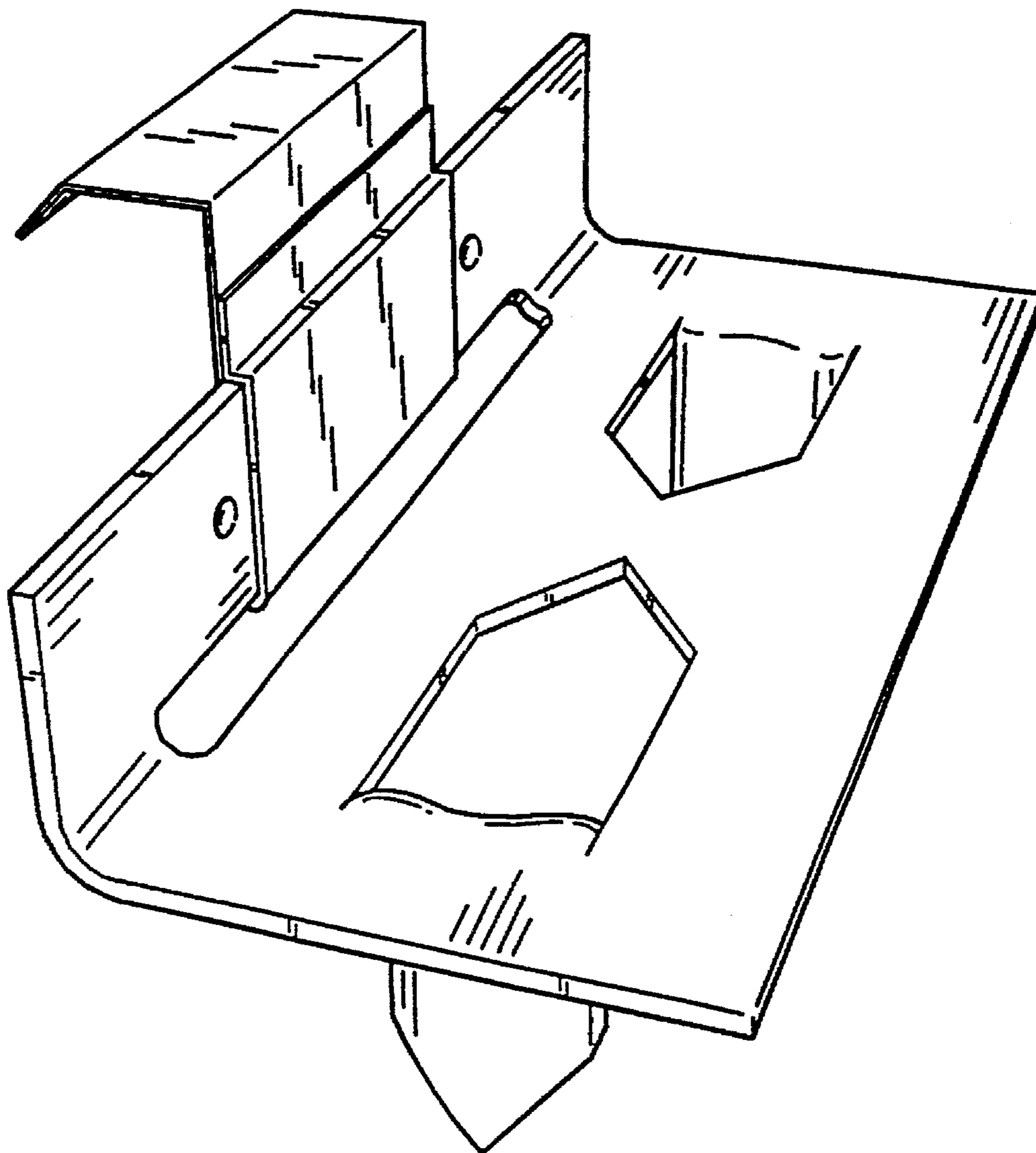
[56] **References Cited**

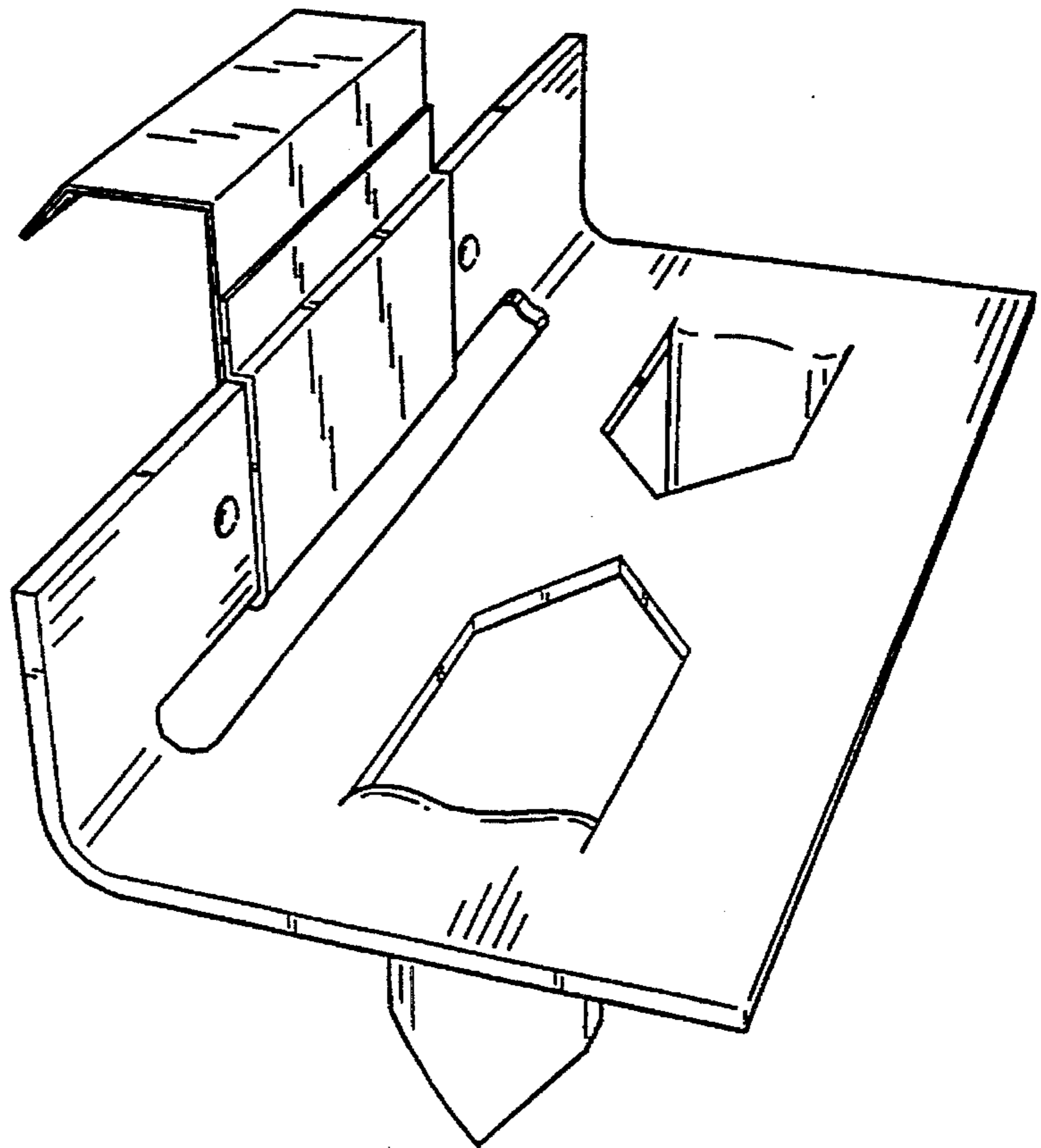
FIG. 1 is a perspective view of a combined nail plate and  
staple showing my new design from the front, top and left  
end; and,  
FIG. 2 is a perspective view thereof from the rear, bottom  
and right end.

#### U.S. PATENT DOCUMENTS

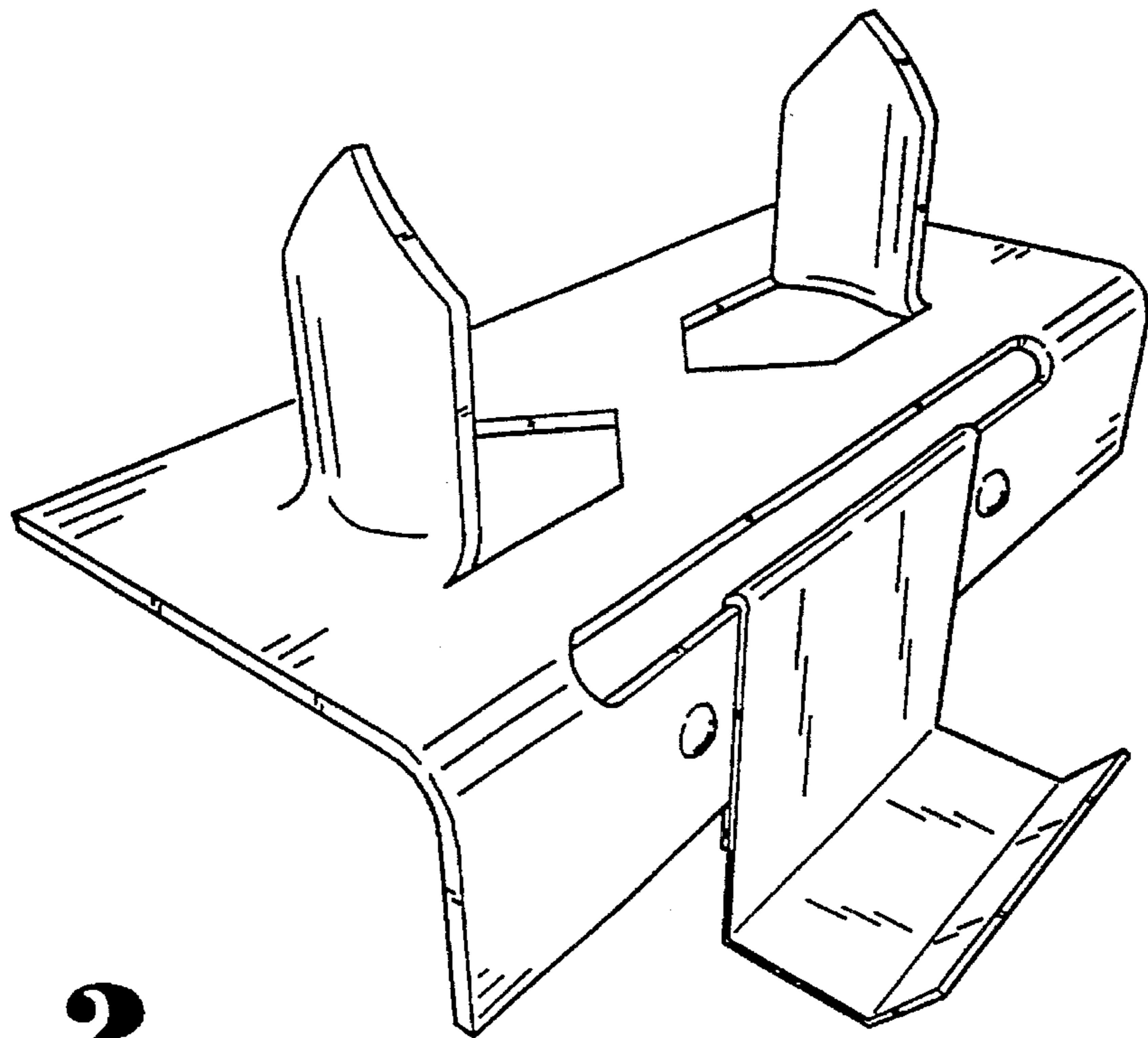
441,227	11/1890	Cary	.....	411/466 X
1,791,337	2/1931	Wendell	.....	411/466
4,079,656	3/1978	Church	.....	411/461
4,235,148	11/1980	Menge	.....	411/466

1 Claim, 1 Drawing Sheet





**FIG. 1**



**FIG. 2**