



US00D368649S

# United States Patent [19]

Smartnick

[11] Patent Number: **Des. 368,649**

[45] Date of Patent: **\*\*Apr. 9, 1996**

[54] **CORD COUPLER UNIT**

[76] Inventor: **Douglas C. Smartnick**, R.D. 2, Box 452 B, Greensburg, Pa. 15601-9802

[\*\*] Term: **14 Years**

[21] Appl. No.: **35,346**

[22] Filed: **Feb. 24, 1995**

[52] U.S. Cl. .... **D8/356**; D13/154

[58] Field of Search ..... D8/356; 174/72 A, 174/135; 248/74.3, 60, 61; D13/154; 439/369

[56] **References Cited**

**U.S. PATENT DOCUMENTS**

D. 275,262	8/1984	Kimball .....	D8/356
D. 353,990	1/1995	Alfreds .....	D8/356
3,289,983	12/1966	Mennerdahl .....	248/60
5,104,335	4/1992	Conley et al. ....	439/369
5,336,106	8/1994	Osten .....	439/369

*Primary Examiner*—A. Hugo Word  
*Assistant Examiner*—Holly Baynham  
*Attorney, Agent, or Firm*—Harpman & Harpman

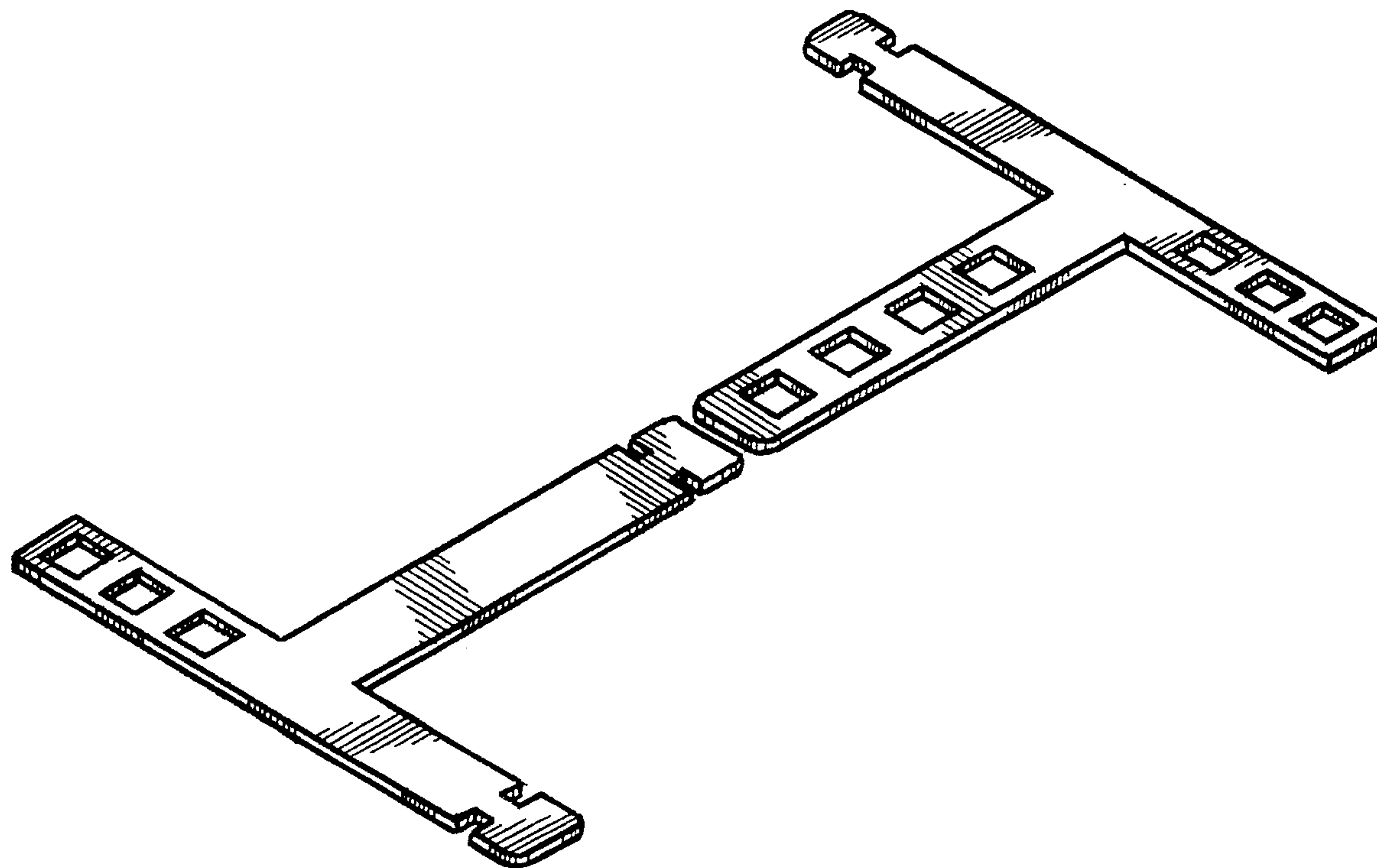
[57] **CLAIM**

The ornamental design for a cord coupler unit, as shown and described.

**DESCRIPTION**

FIG. 1 is a front, top and side perspective view of the cord coupler unit embodying the design of the present invention; FIG. 2 is a front elevational view thereof, the side opposite being a mirror image of the side shown in FIG. 2; FIG. 3 is a side elevational view thereof, the side opposite being a mirror image of the side shown in FIG. 3; and, FIG. 4 is a top plan view thereof with the bottom plan view being a mirror image of the top view shown in FIG. 4.

**1 Claim, 2 Drawing Sheets**



+

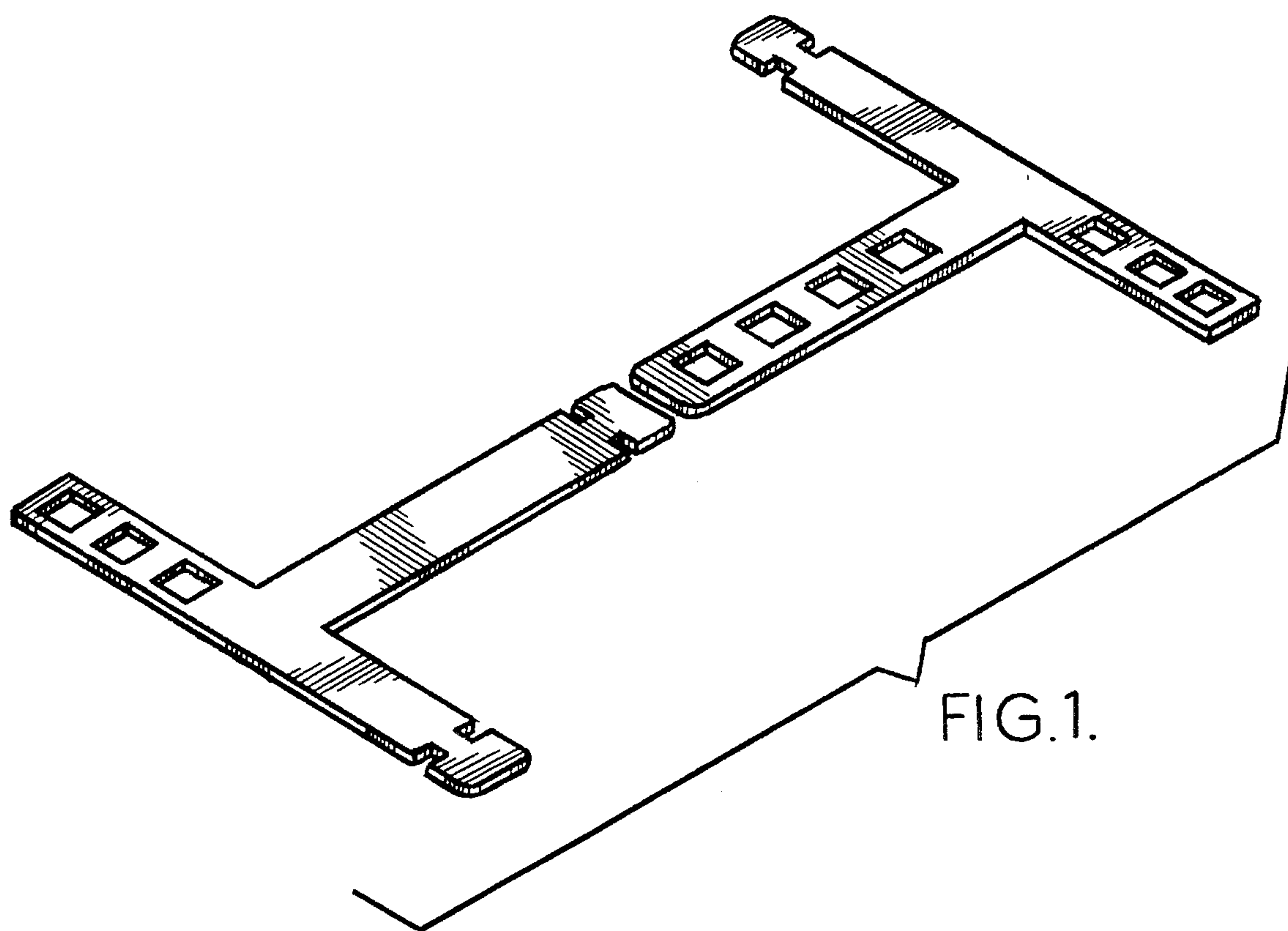


FIG. 1.

