



US00D368647S

United States Patent [19]

Koebbe

[11] Patent Number: **Des. 368,647**

[45] Date of Patent: ****Apr. 9, 1996**

[54] **ADJUSTABLE SAFETY RAIL SUPPORT BRACKET FOR A ROOF SURFACE**

[75] Inventor: **Richard R. Koebbe**, Cincinnati, Ohio

[73] Assignee: **U.S. Pro-Tech Corp.**, Cincinnati, Ohio

[**] Term: **14 Years**

[21] Appl. No.: **38,210**

[22] Filed: **May 1, 1995**

[52] U.S. Cl. **D8/355; D25/66**

[58] Field of Search **D8/354, 355; D26/140; D25/162, 166; 248/515**

[56] **References Cited**

U.S. PATENT DOCUMENTS

D. 303,018	8/1989	Yates	D26/140
3,164,353	1/1965	Rene	182/45 X
5,067,586	11/1991	Myers	182/45
5,249,397	10/1993	Monaco	182/45 X
5,318,148	6/1994	Franco et al.	182/45

Primary Examiner—A. Hugo Word

Assistant Examiner—Holly Baynham

Attorney, Agent, or Firm—Jacox, Meckstroth & Jenkins

[57] **CLAIM**

The ornamental design of an adjustable safety rail support bracket for a roof surface, as shown and described.

DESCRIPTION

FIG. 1 is a perspective view of an adjustable safety rail support bracket for a roof surface showing my new design; FIG. 2 is a side view thereof, the opposite side view being shown in FIG. 1;

FIG. 3 is an end view thereof;

FIG. 4 is an opposite end view thereof;

FIG. 5 is a top view thereof;

FIG. 6 is a bottom view thereof;

FIG. 7 is a perspective view of another embodiment thereof;

FIG. 8 is a side view of the other embodiment, the opposite side view being shown in FIG. 7;

FIG. 9 is an end view of the other embodiment;

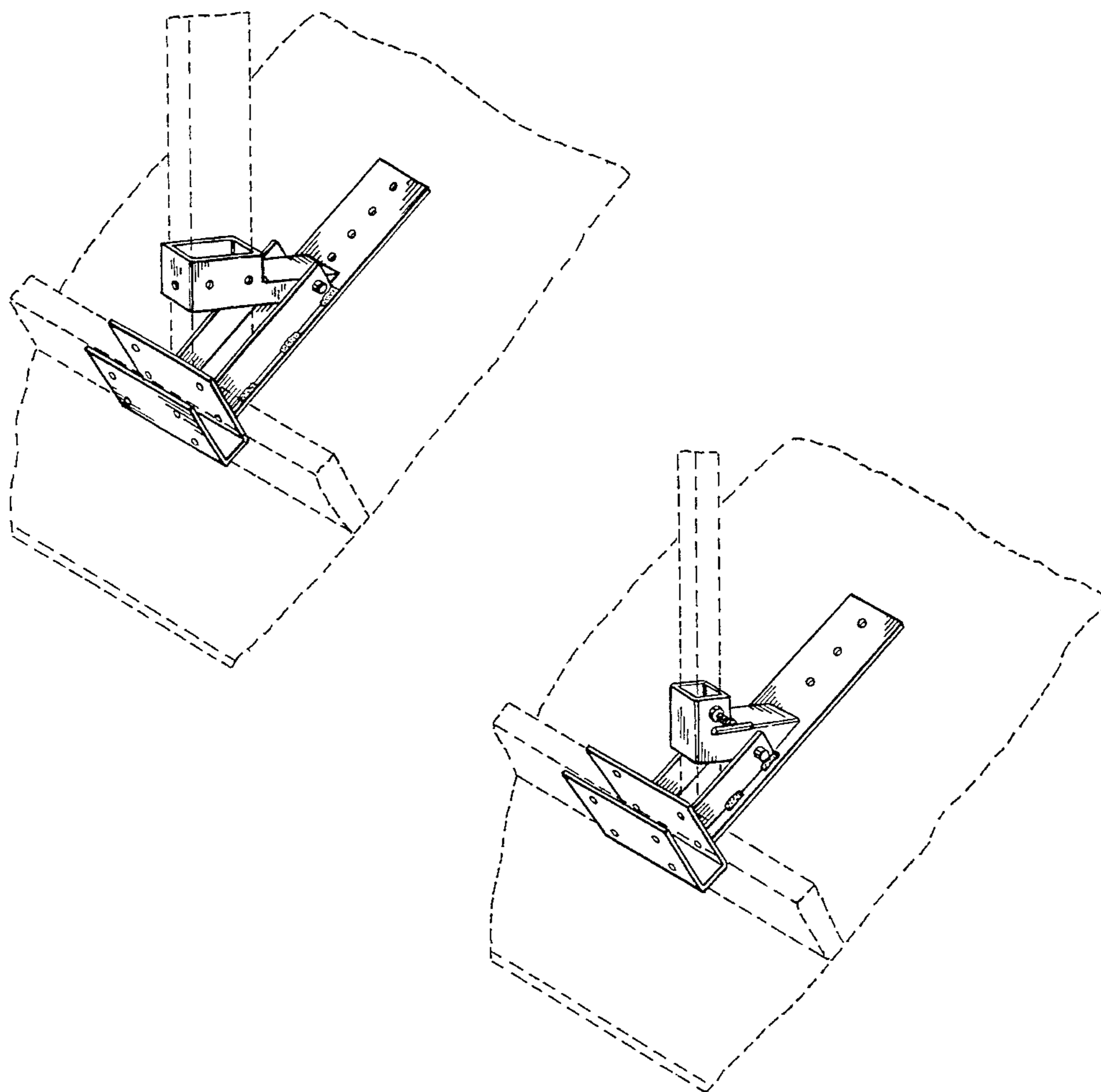
FIG. 10 is an opposite end view of the other embodiment;

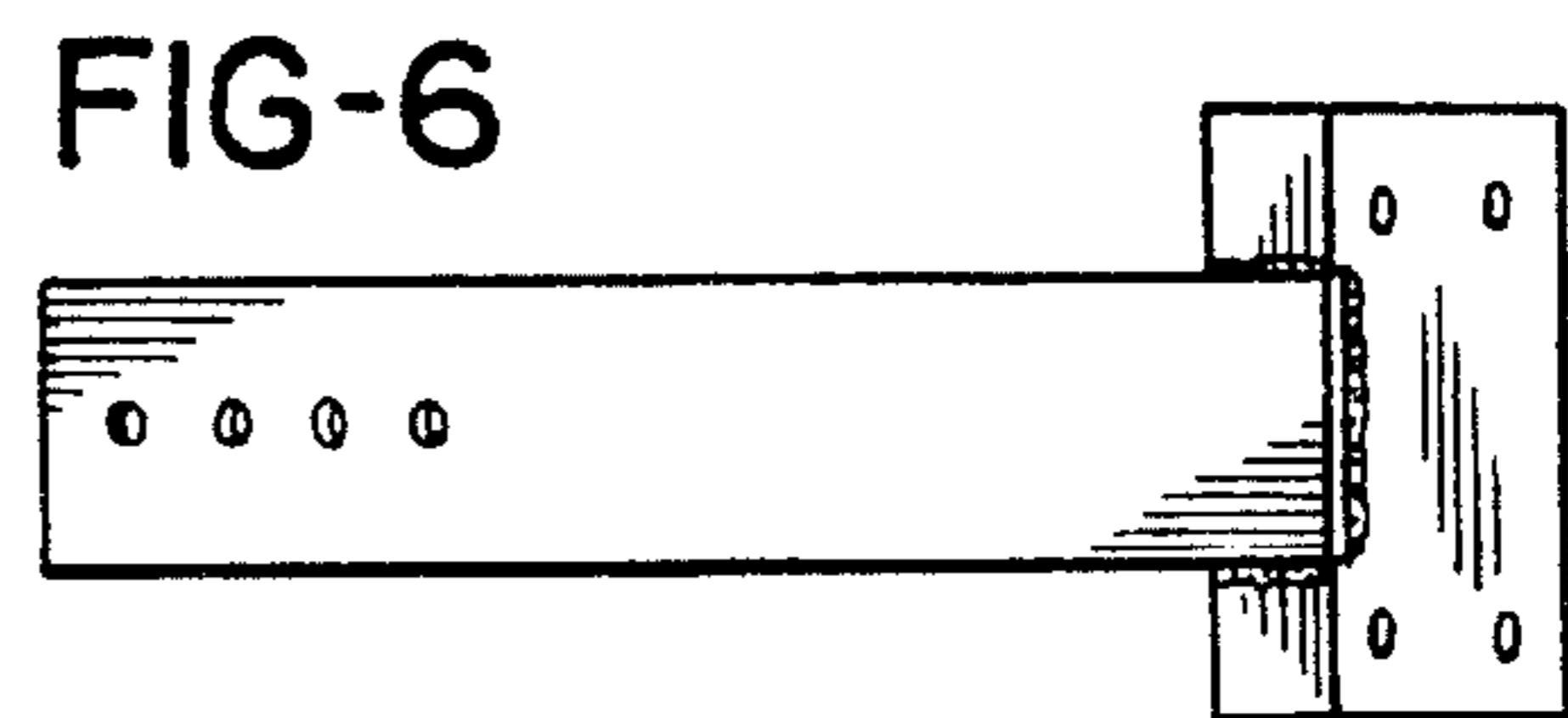
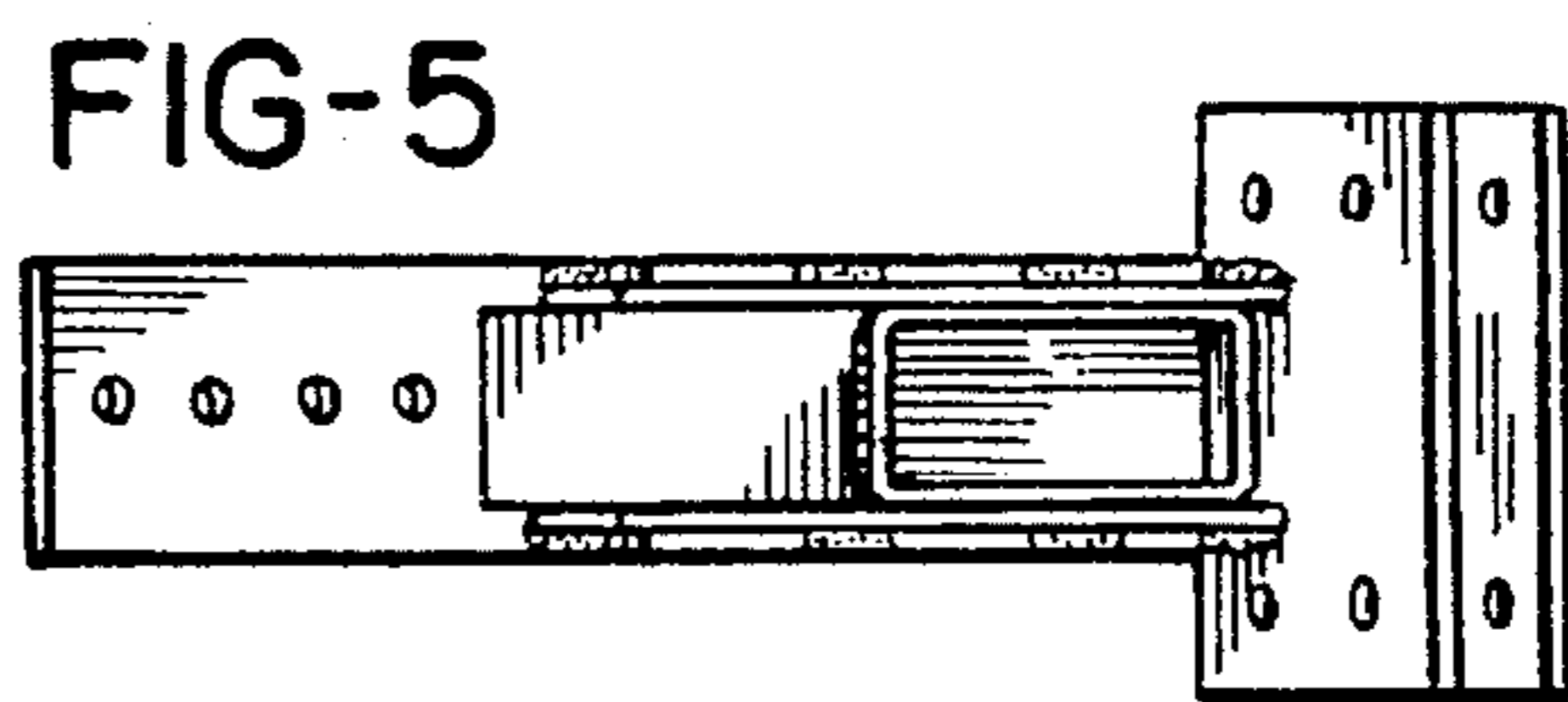
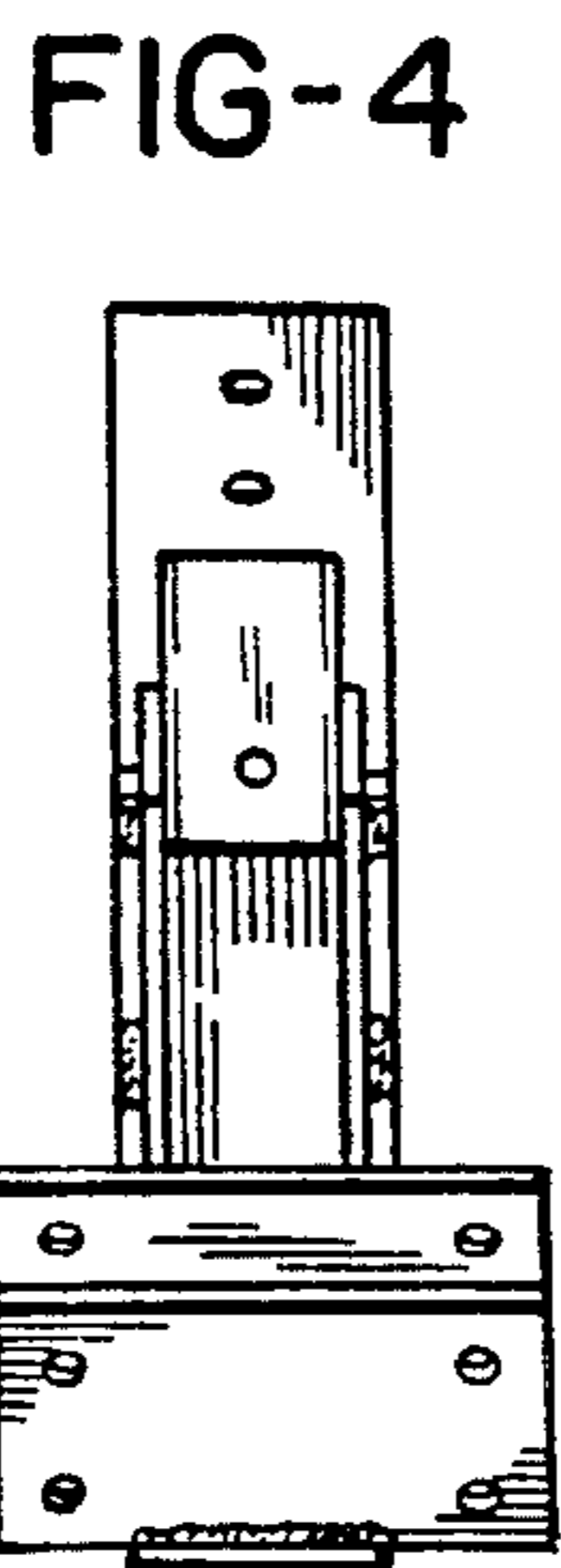
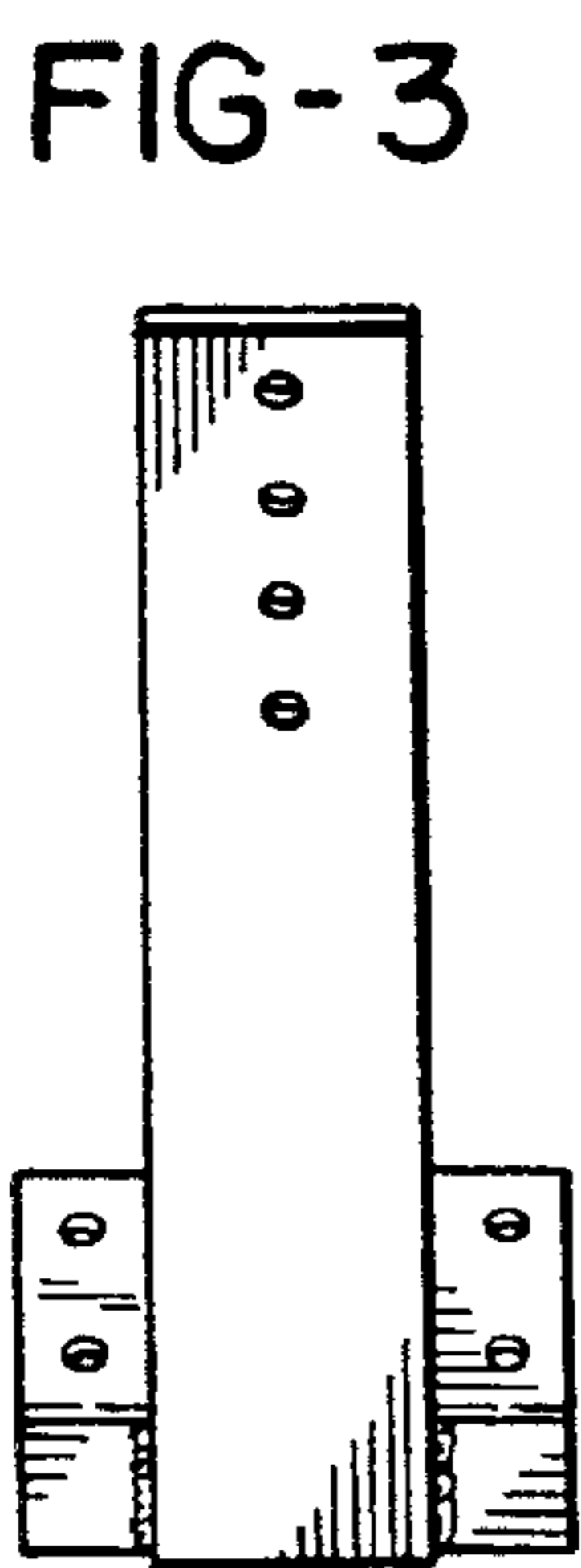
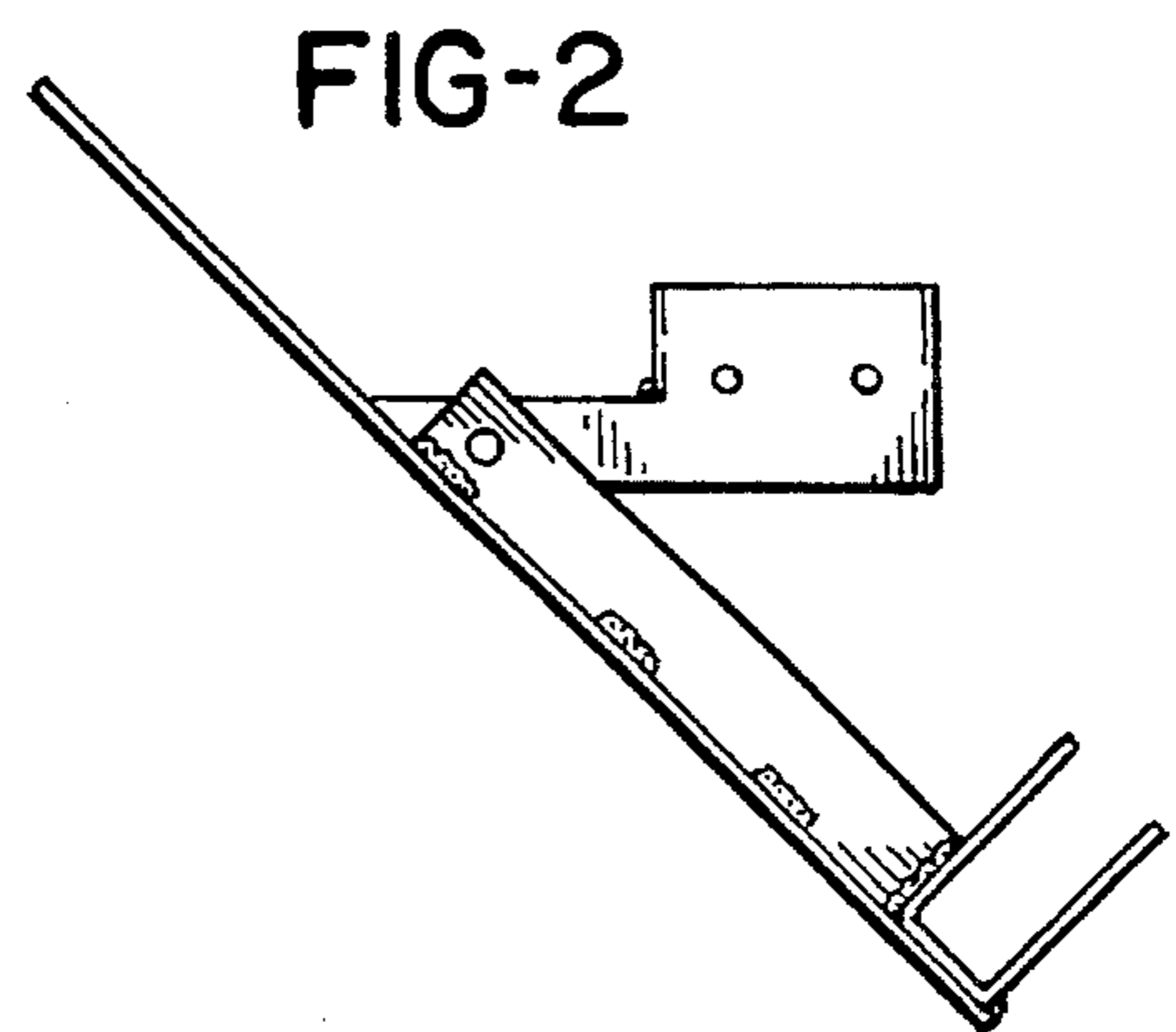
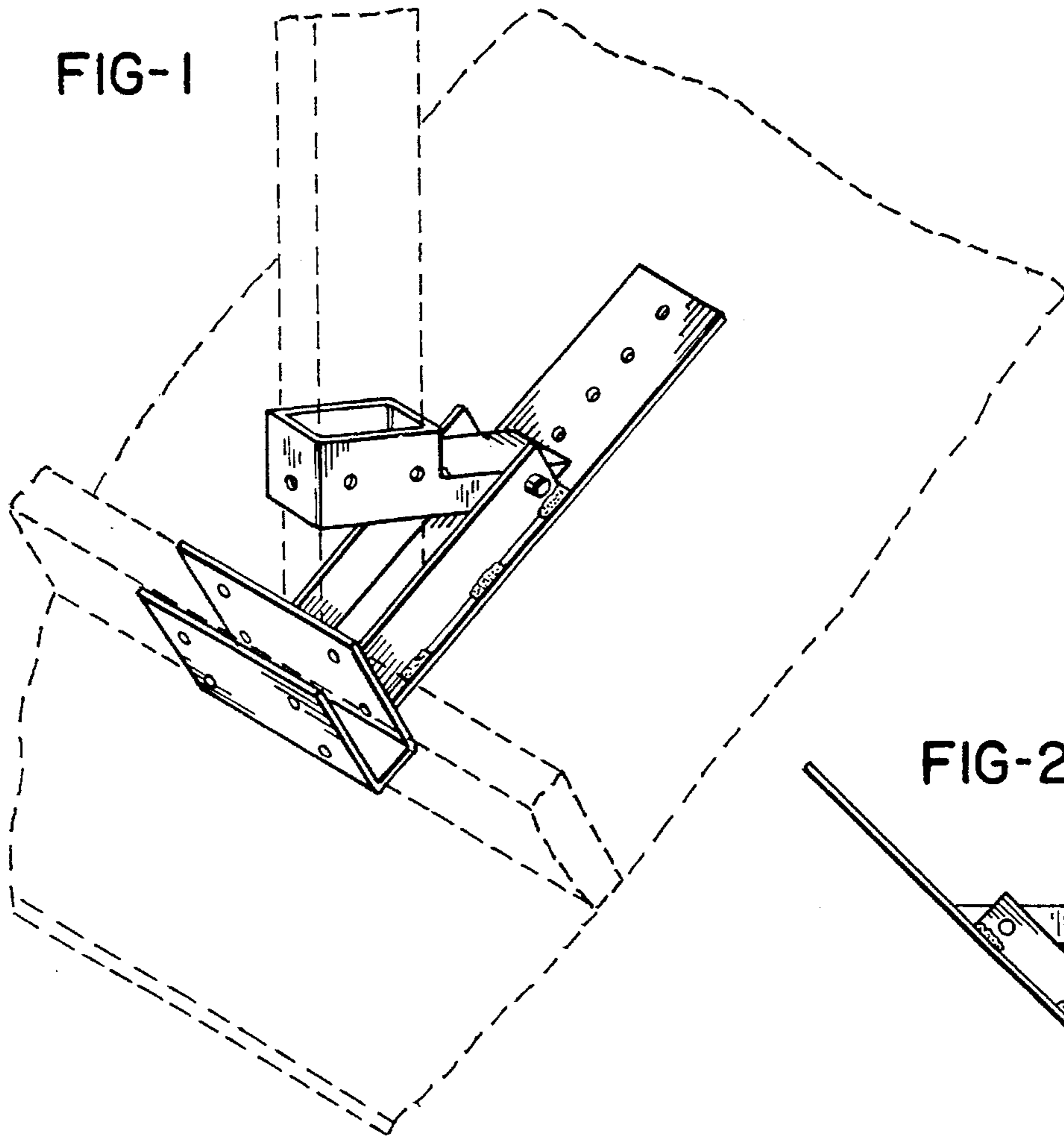
FIG. 11 is a top view of the other embodiment; and,

FIG. 12 is a bottom view of the other embodiment.

The broken line showing of fragmented structure is for illustrative purposes only and forms no part of the claimed design.

1 Claim, 2 Drawing Sheets





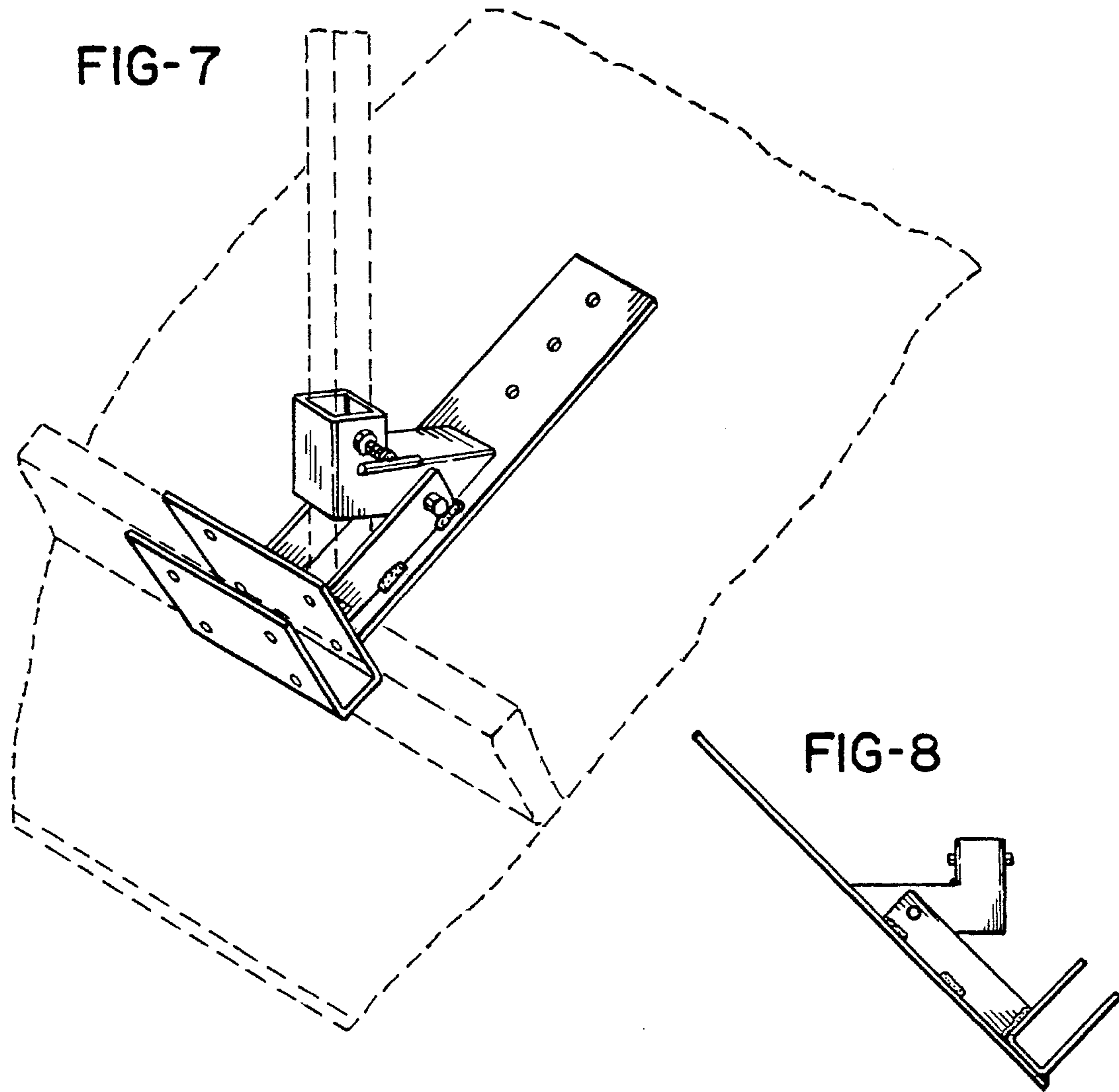


FIG-9

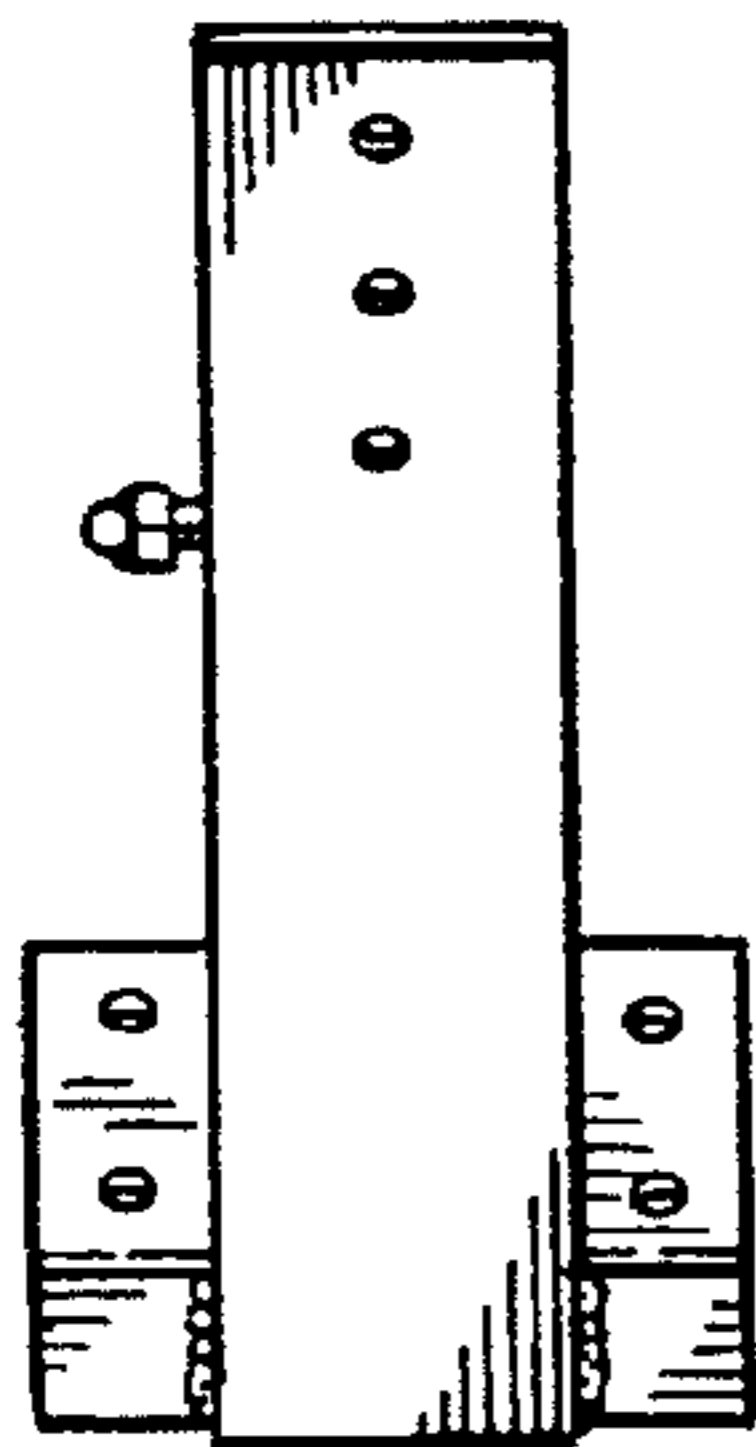


FIG-10

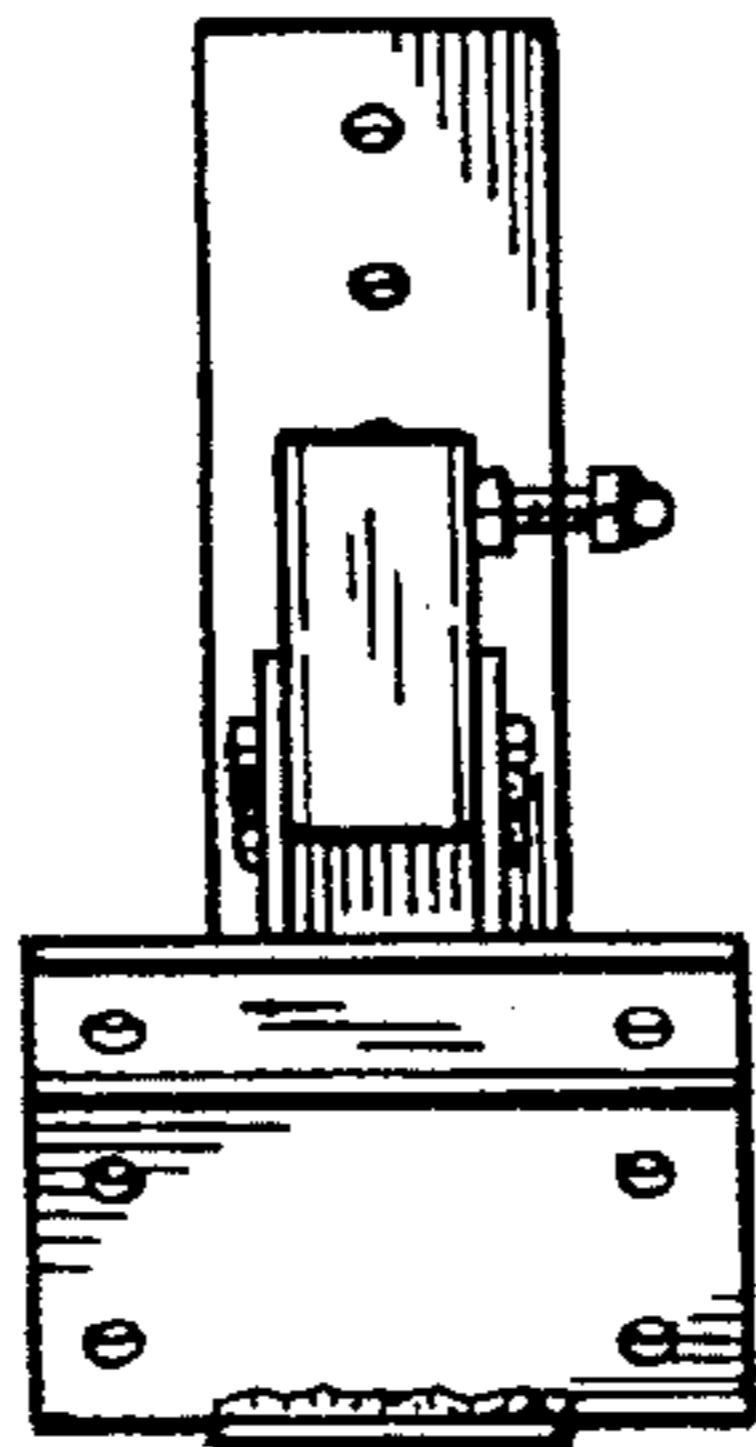


FIG-11

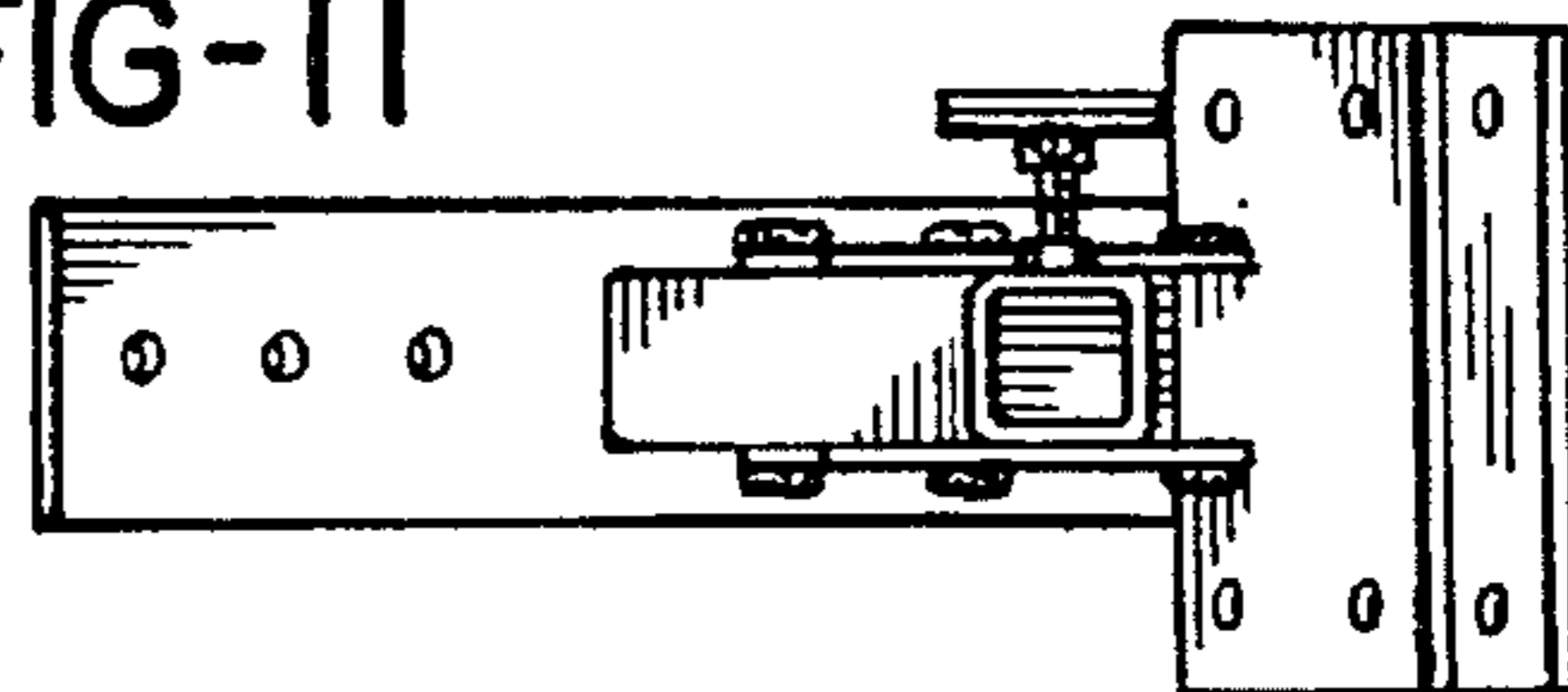


FIG-12

