



US00D368646S

United States Patent [19]
Leblhuber

[11] **Patent Number: Des. 368,646**

[45] **Date of Patent: **Apr. 9, 1996**

[54] **MOUNTING SUPPORT**

4,029,276 6/1977 Zielie 248/74.1
4,973,259 11/1990 Sachs 248/61 X

[76] Inventor: **Johann Leblhuber**, Birkenweg 18,
A-4501 Neuhofen/Krems, Austria

Primary Examiner—A. Hugo Word
Assistant Examiner—Holly Baynham
Attorney, Agent, or Firm—Collad & Roe

[**] Term: **14 Years**

[21] Appl. No.: **34,731**

[57] **CLAIM**

[22] Filed: **Feb. 10, 1995**

The ornamental design for a mounting support, as shown and described.

[30] **Foreign Application Priority Data**

DESCRIPTION

Aug. 12, 1994 [AT] Austria 3176/94

[52] **U.S. Cl.** **D8/354**

[58] **Field of Search** D8/349, 354, 318;
248/300, 214, 61, 74.1

FIG. 1 is a front perspective view of the mounting support showing my new design;

FIG. 2 is a rear, left side perspective view thereof;

FIG. 3 is a left side perspective view thereof; and,

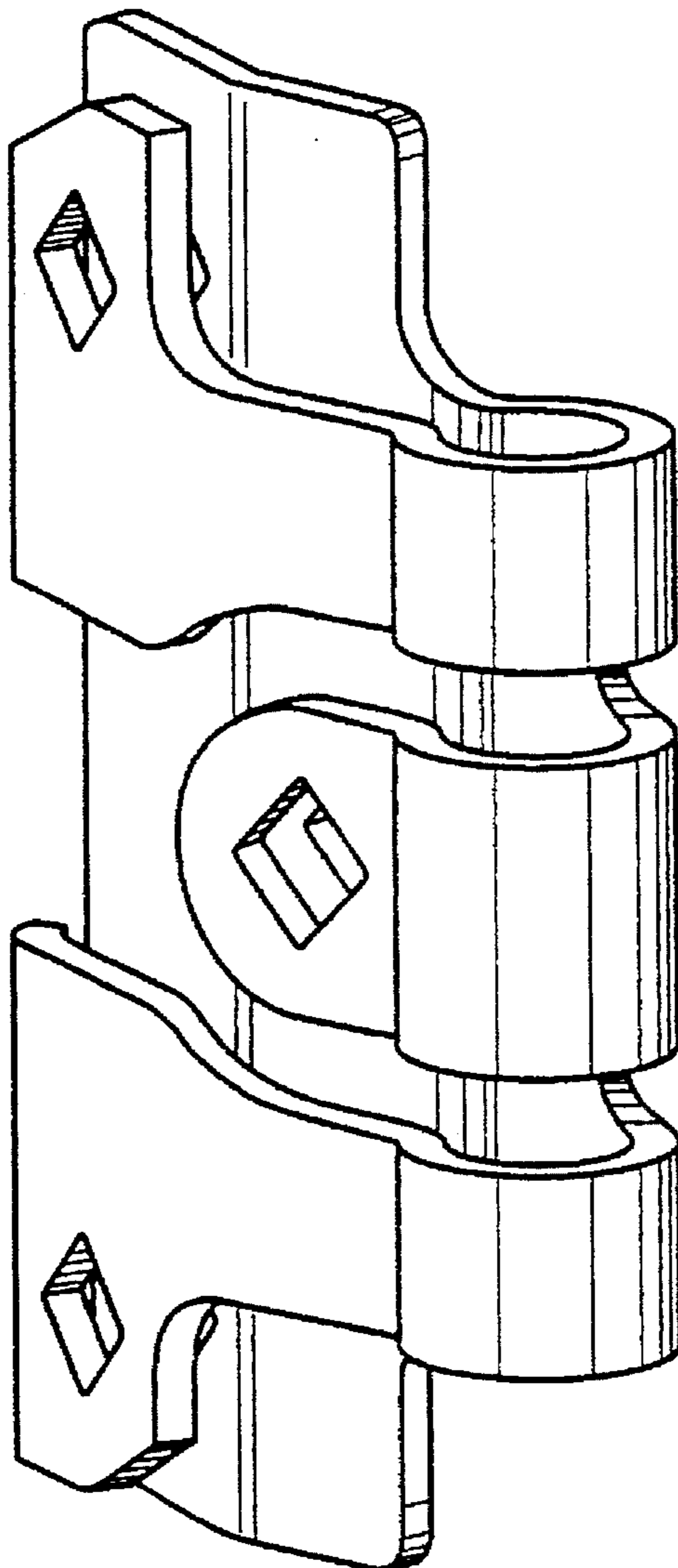
FIG. 4 is a top, rear, right side perspective view thereof.

[56] **References Cited**

U.S. PATENT DOCUMENTS

3,599,920 8/1971 Hoegerl 248/300 X

1 Claim, 1 Drawing Sheet



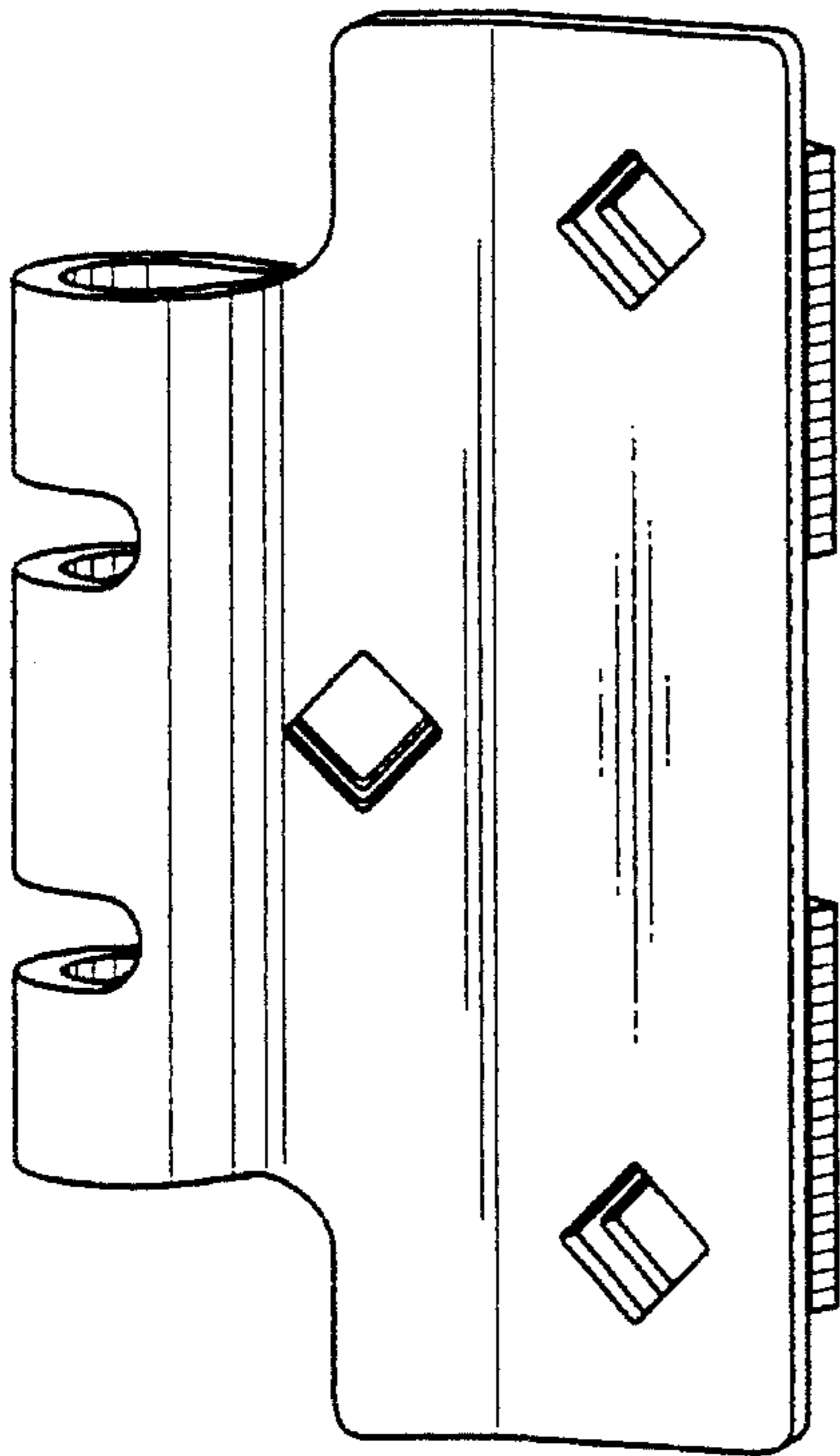


Fig. 1

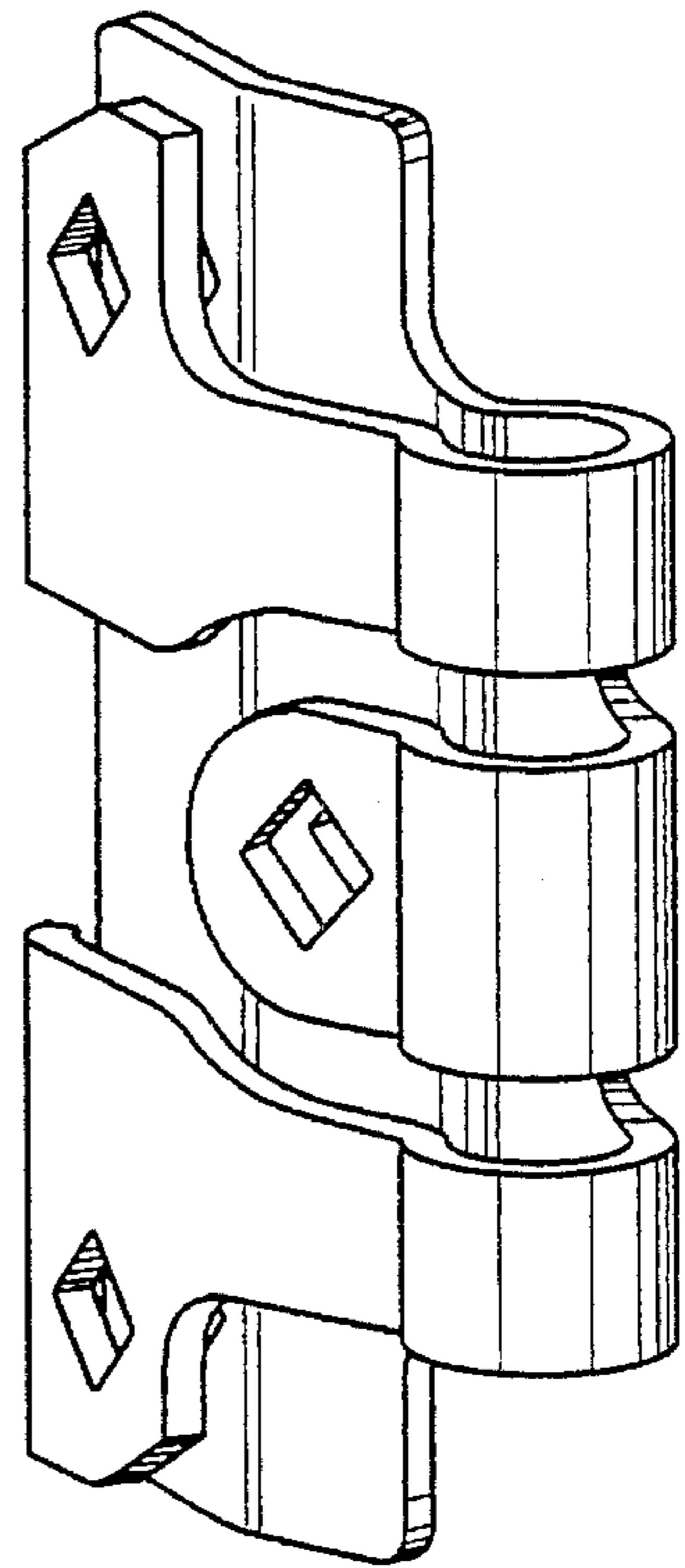


Fig. 2

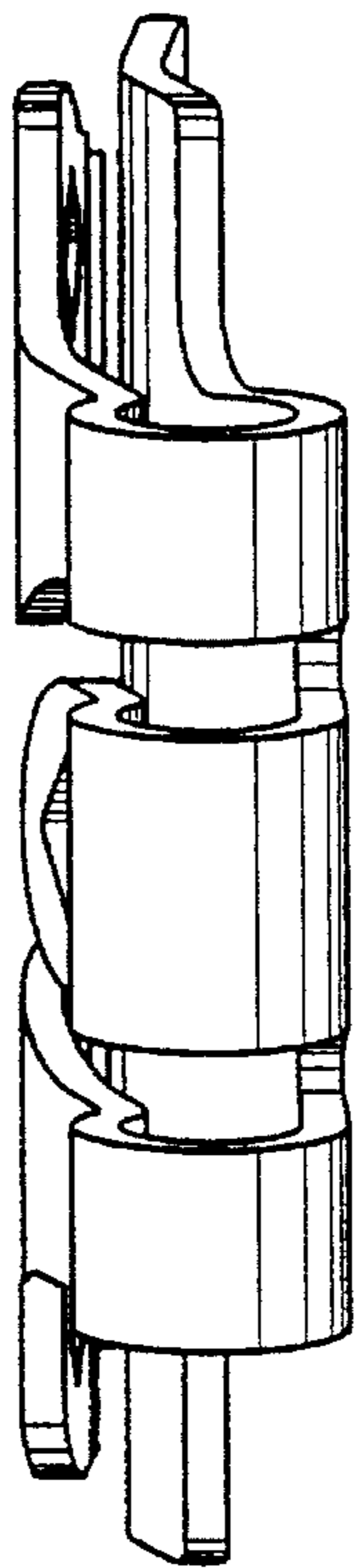


Fig. 3

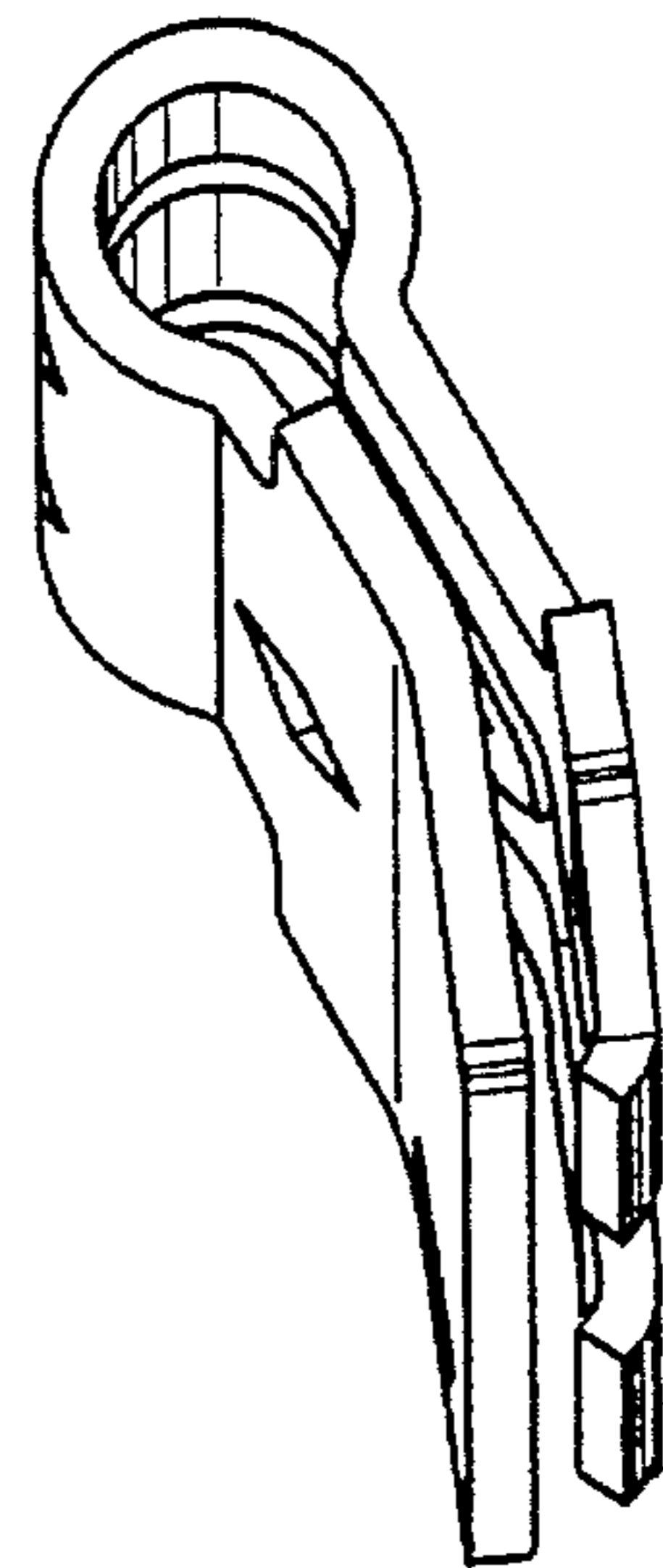


Fig. 4