



US00D368645S

# United States Patent [19] Chen

[11] Patent Number: **Des. 368,645**

[45] Date of Patent: **\*\*Apr. 9, 1996**

[54] **COMBINATION AUTOMOBILE TRANSMISSION LOCK AND DRINK HOLDER**

[76] Inventor: **Tian-Yuan Chen**, No. 95-4, Min-Hsiang Road, Chung-Ho, Taipei Hsien, Taiwan

[\*\*] Term: **14 Years**

[21] Appl. No.: **42,670**

[22] Filed: **Aug. 14, 1995**

[52] U.S. Cl. .... **D8/331**

[58] Field of Search ..... D8/330-331, 343, D8/346, 333, 339; 70/207-211, 214-215, 225-226, 237-238; 292/238, 289

[56] **References Cited**

**U.S. PATENT DOCUMENTS**

D. 296,660	7/1988	Preddy	.....	D8/331
D. 347,158	5/1994	Shen	.....	D8/331 X
4,103,524	8/1978	Mitchell et al.	.....	70/209
4,660,394	4/1987	Wu	.....	70/238 X
4,995,250	2/1991	Chiou	.....	70/238

*Primary Examiner*—Brian N. Vinson

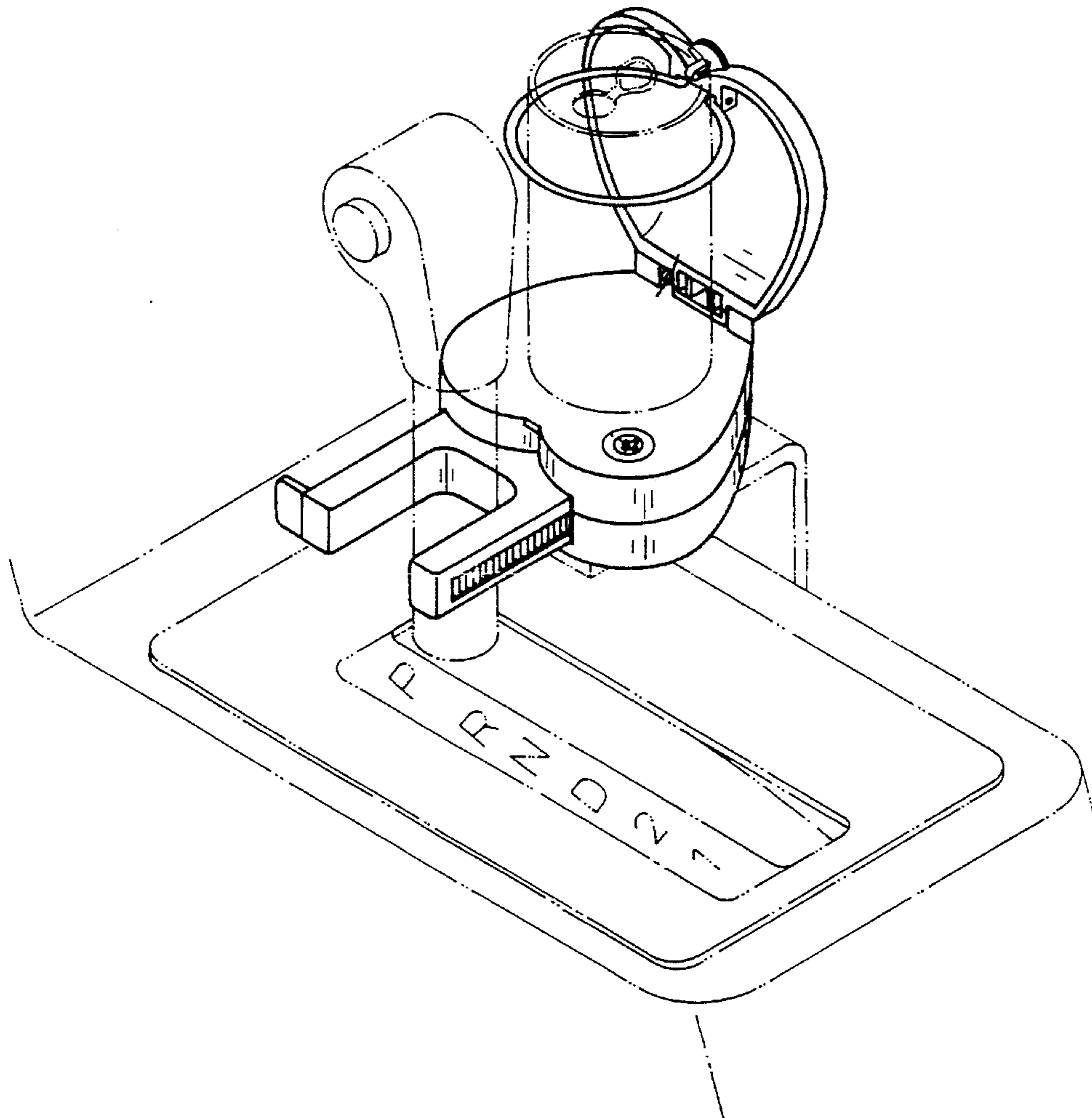
[57] **CLAIM**

The ornamental design for combination automobile transmission lock and drink holder, as shown and described.

**DESCRIPTION**

FIG. 1 is a top, front, and left side perspective view of combination automobile transmission lock and drink holder showing my design;  
 FIG. 2 is a front elevational view thereof;  
 FIG. 3 is a rear elevational view thereof;  
 FIG. 4 is a left side elevational view thereof;  
 FIG. 5 is a right side elevational view thereof;  
 FIG. 6 is a top plan view thereof;  
 FIG. 7 is a bottom plan view thereof; and,  
 FIG. 8 is a reduced top, front, and left side perspective view thereof, showing the lock deployed about a transmission gearshift lever, with the broken line showing of the transmission gearshift lever, console, and drink can being for illustrative purposes only and forming no part of the claimed design.

**1 Claim, 5 Drawing Sheets**



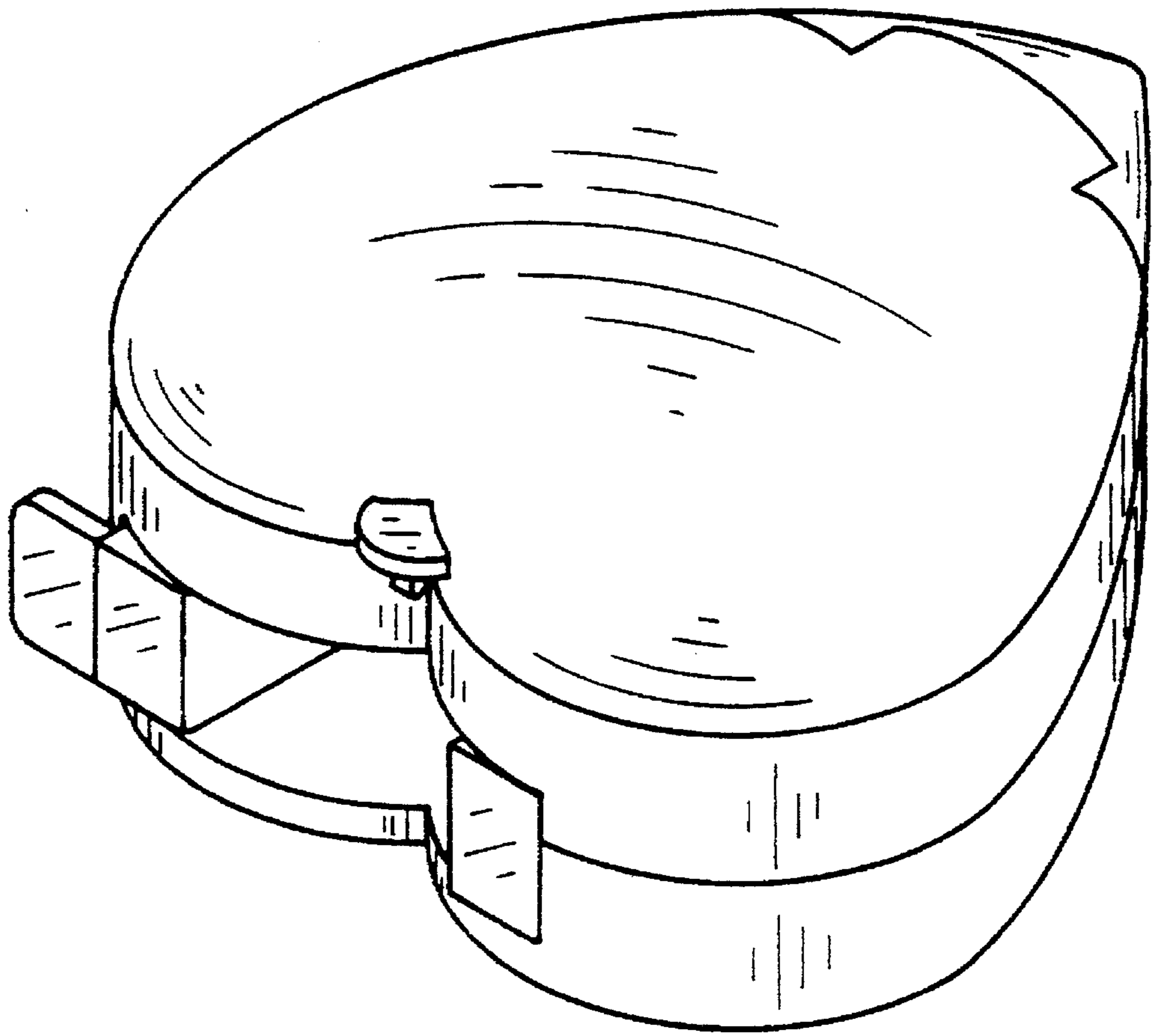


FIG. 1

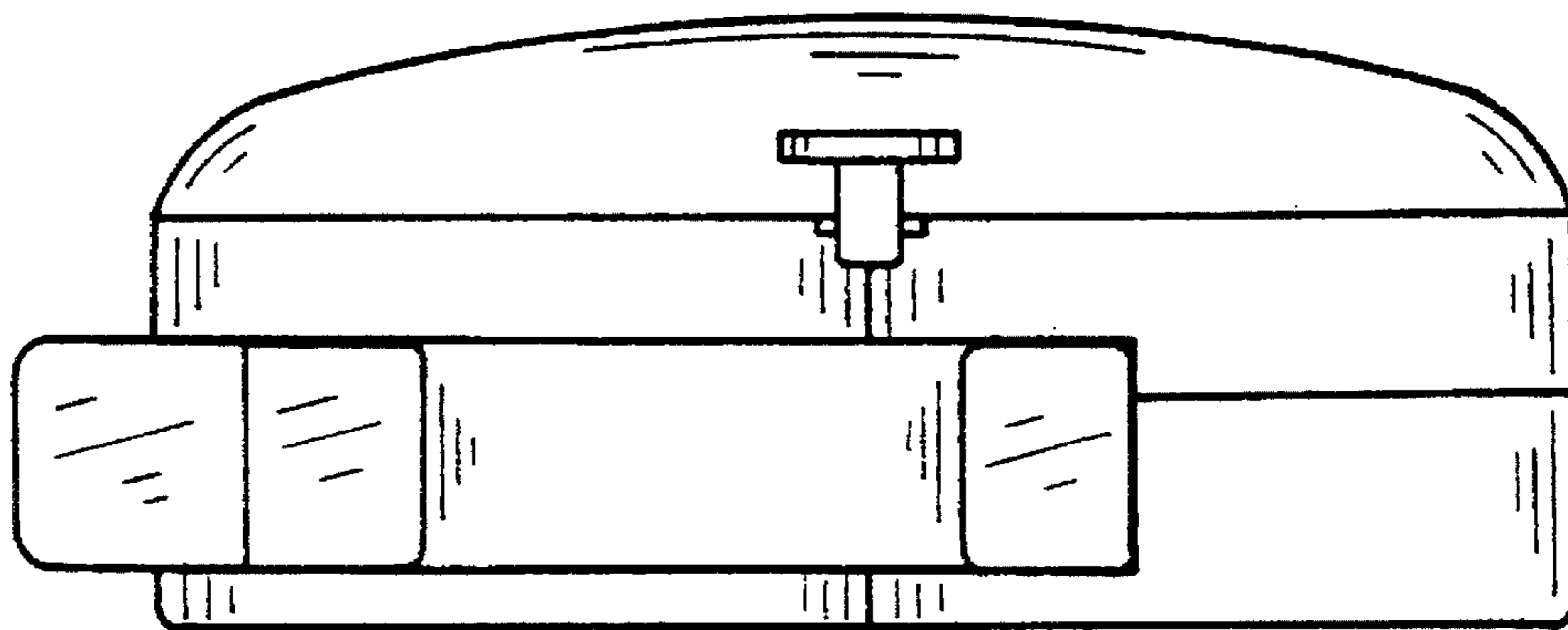


FIG. 2

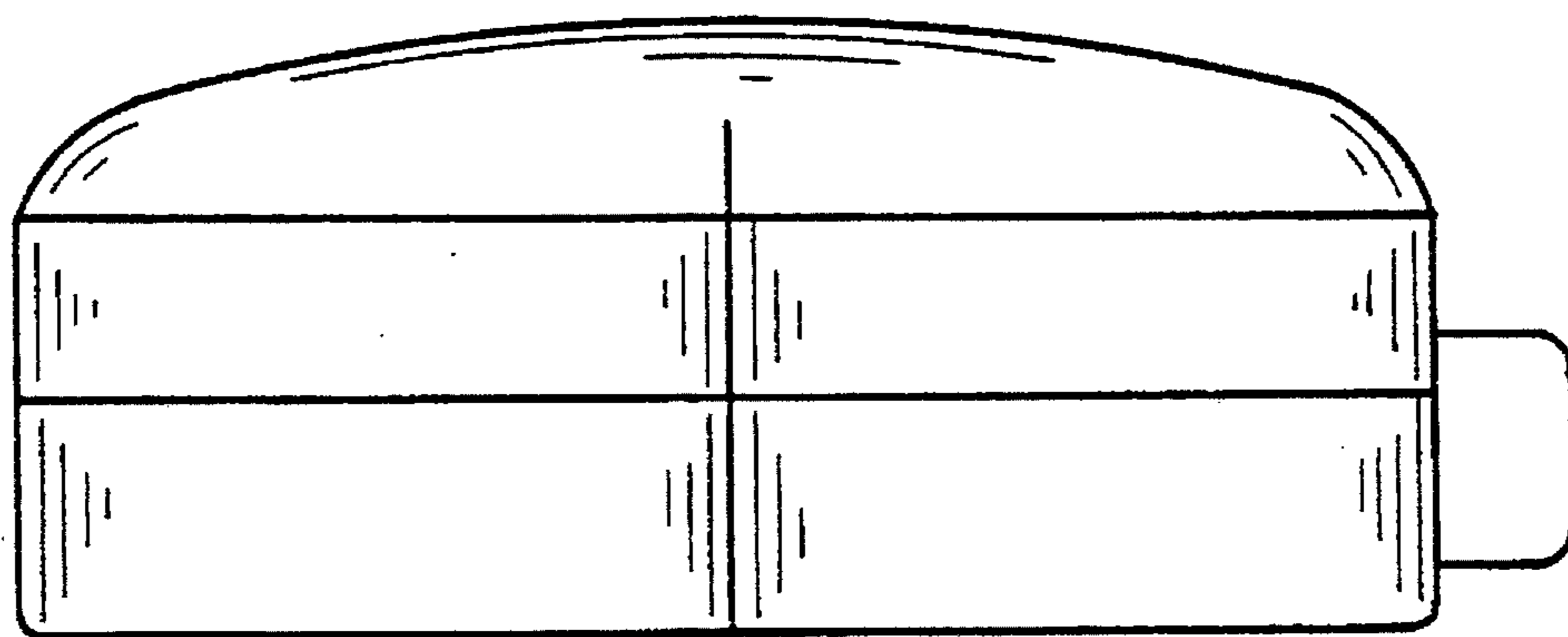


FIG. 3

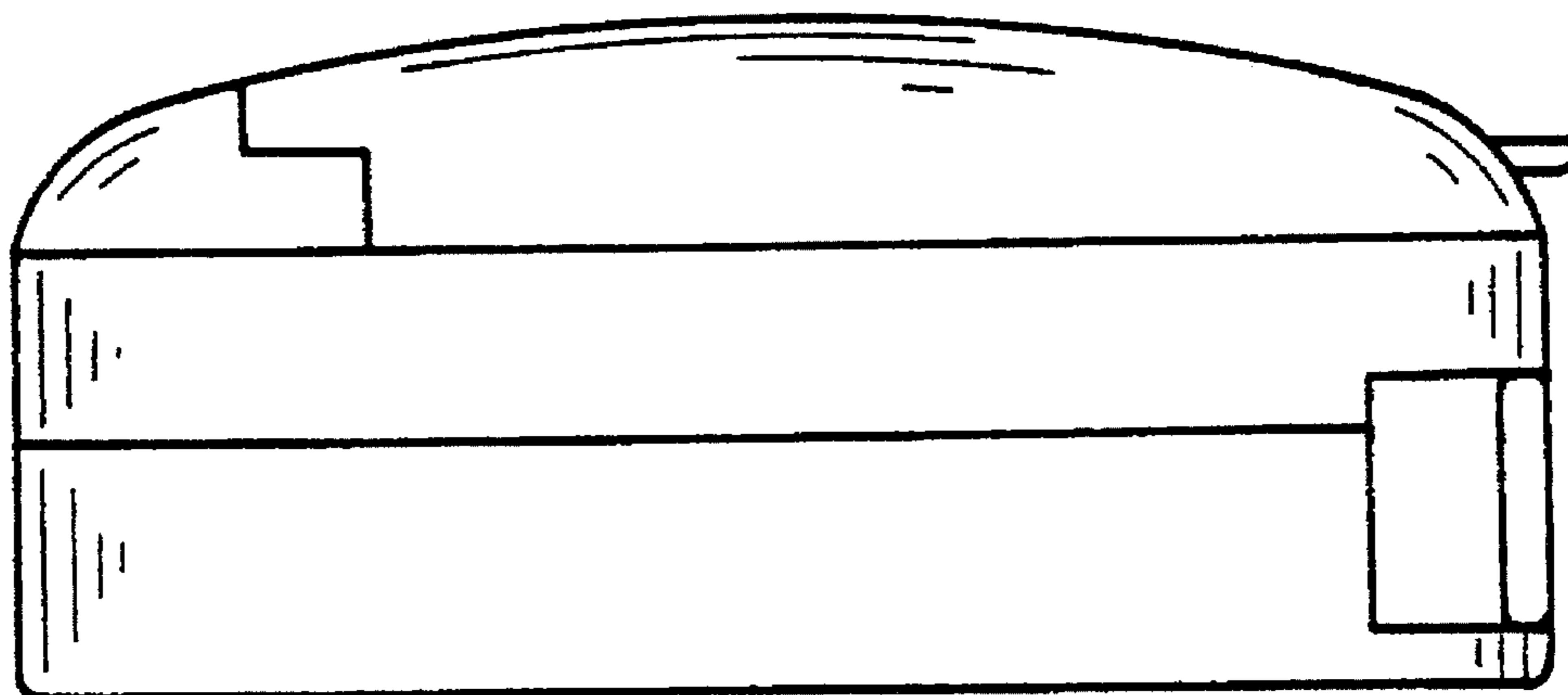


FIG. 4

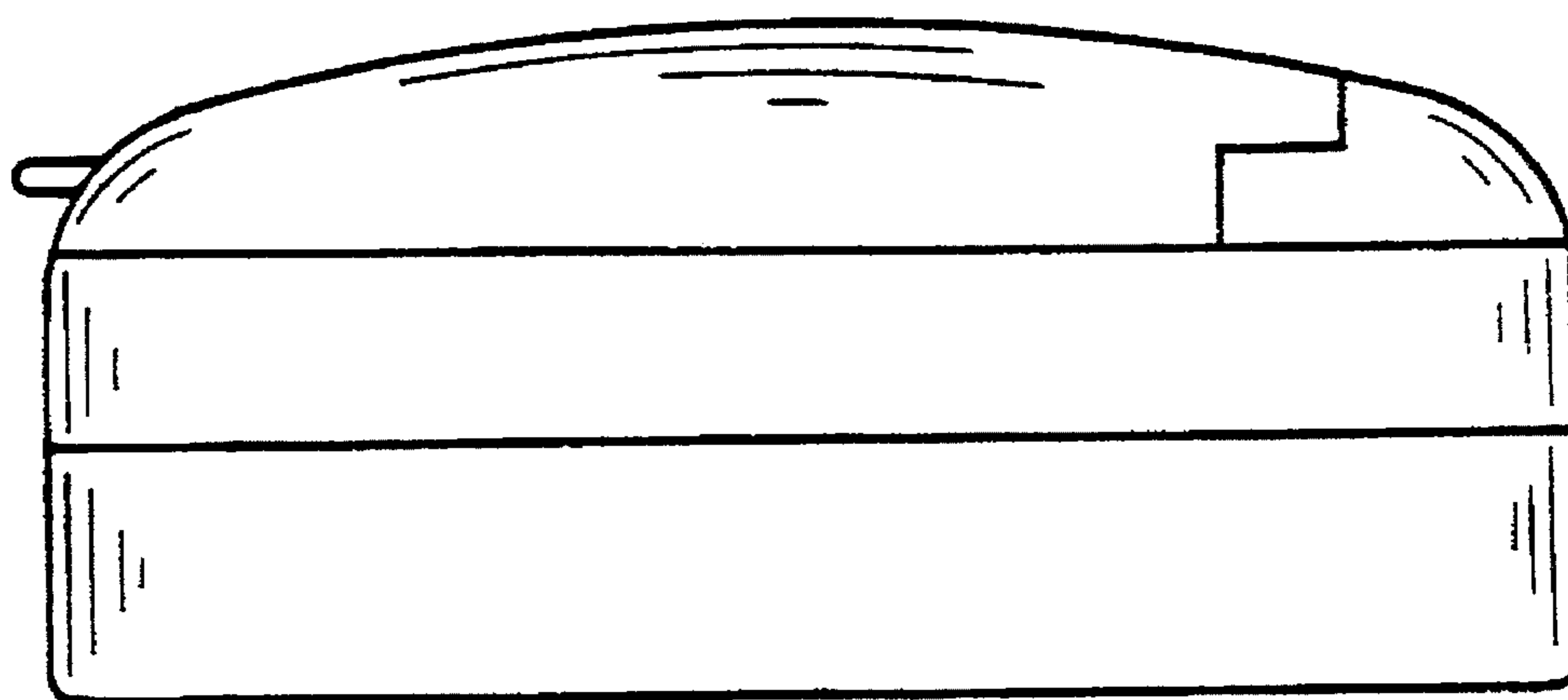


FIG. 5

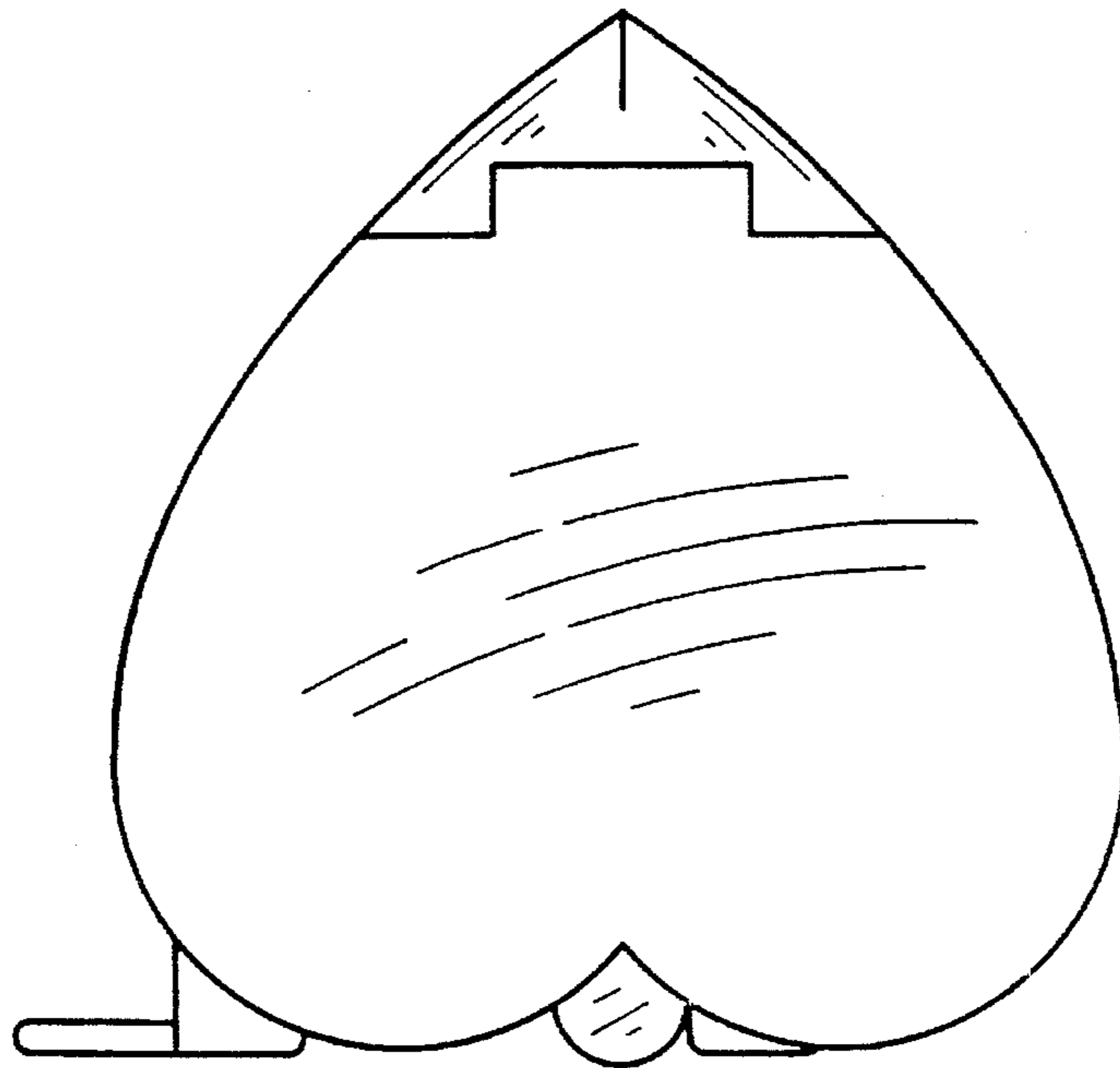


FIG. 6

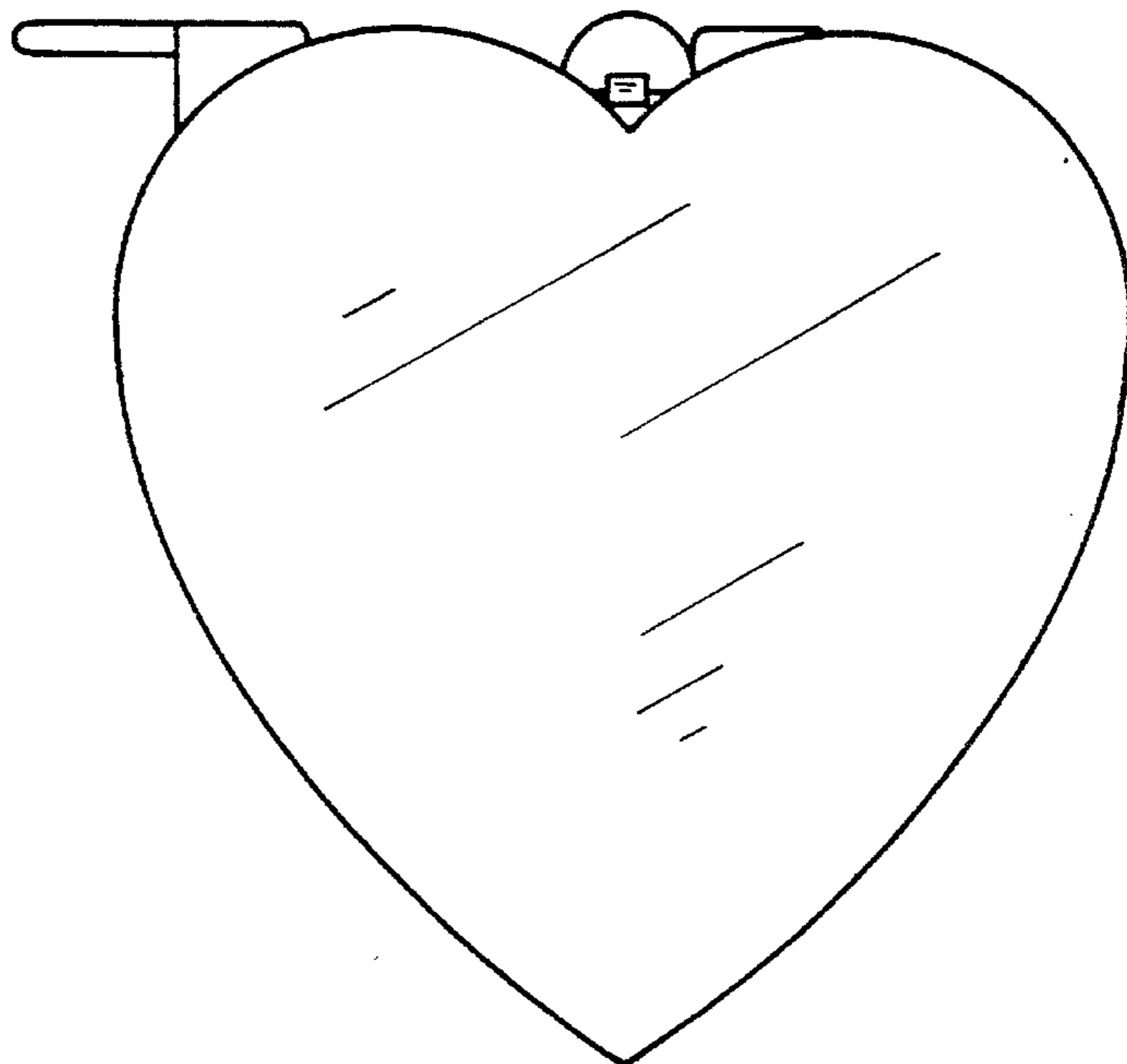


FIG. 7

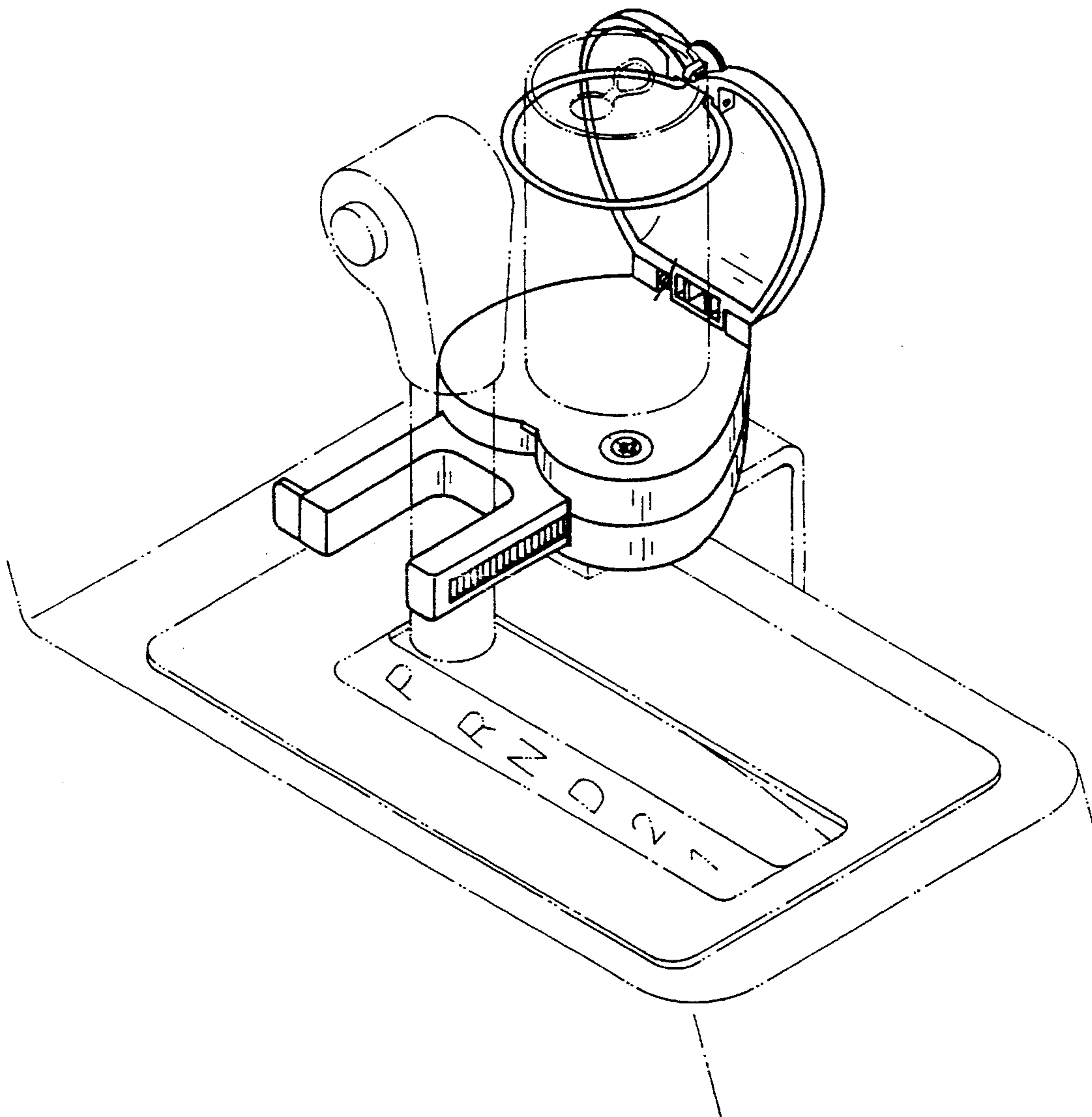


FIG. 8