



US00D368640S

**United States Patent** [19]  
**Sonnenleiter**

[11] **Patent Number:** **Des. 368,640**  
[45] **Date of Patent:** **\*\*Apr. 9, 1996**

[54] **KNOB**

[75] **Inventor:** **G. Ronald Sonnenleiter**, Sun City West, Ariz.

[73] **Assignee:** **Newell Operating Company**, Freeport, Ill.

[\*\*] **Term:** **14 Years**

[21] **Appl. No.:** **34,483**

[22] **Filed:** **Feb. 6, 1995**

[52] **U.S. Cl.** ..... **D8/310**

[58] **Field of Search** ..... D8/300, 307, 310;  
16/110 R, 121

[56] **References Cited**

**U.S. PATENT DOCUMENTS**

D. 221,052	7/1971	McCain	.....	D8/310
D. 248,445	7/1978	Palm, Jr.	.....	D8/310
D. 326,219	5/1992	Clayton	.....	D8/310
D. 327,407	6/1992	Clayton	.....	D8/310

**OTHER PUBLICATIONS**

American Cabinet Hardware Corp.; Cat. 139, p. 209 ©1939; Knob 650.

American Cabinet Hardware Corp; Cat. 139; ©1939; p. 210; Knob 675.

*Primary Examiner*—B. J. Bullock

*Attorney, Agent, or Firm*—Foley & Lardner

[57] **CLAIM**

The ornamental design for a knob, as shown and described.

**DESCRIPTION**

FIG. 1 is a perspective view of a knob showing my new design;

FIG. 2 is an enlarged front view thereof;

FIG. 3 is an enlarged right side view thereof, the left side view being a mirror image;

FIG. 4 is an enlarged bottom plan view thereof; and,

FIG. 5 is an enlarged rear view thereof.

**1 Claim, 1 Drawing Sheet**

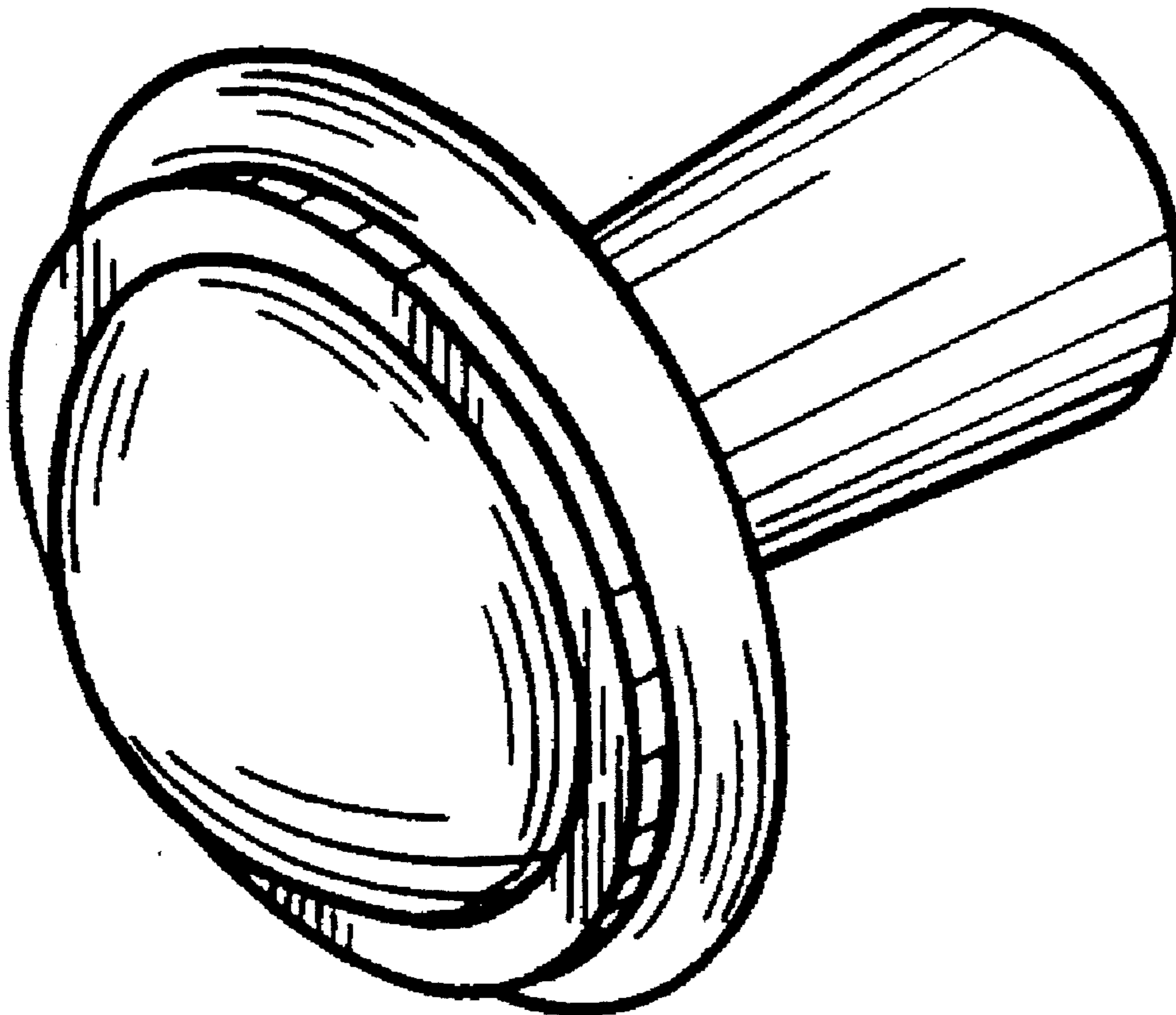


FIG. 1

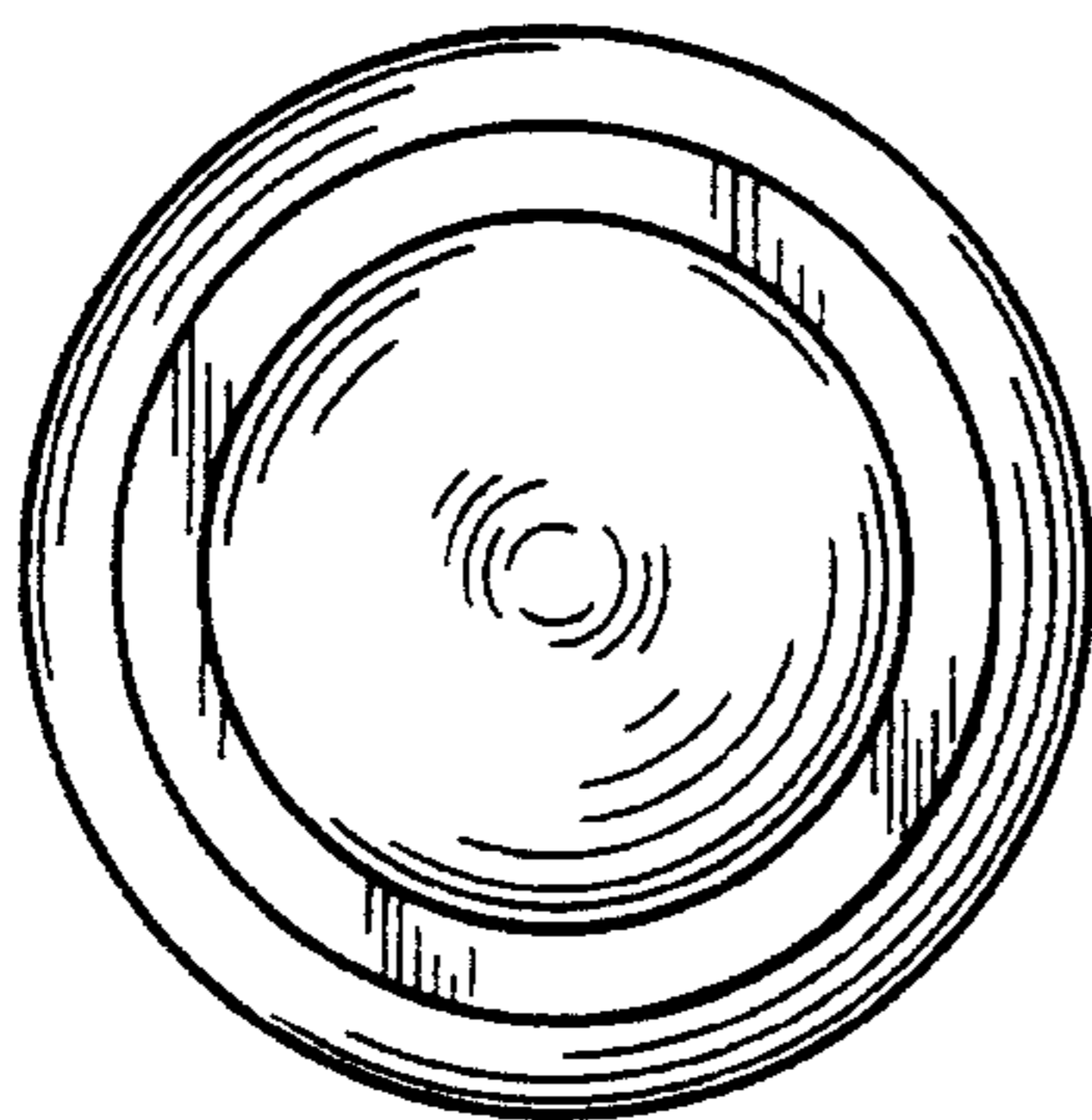
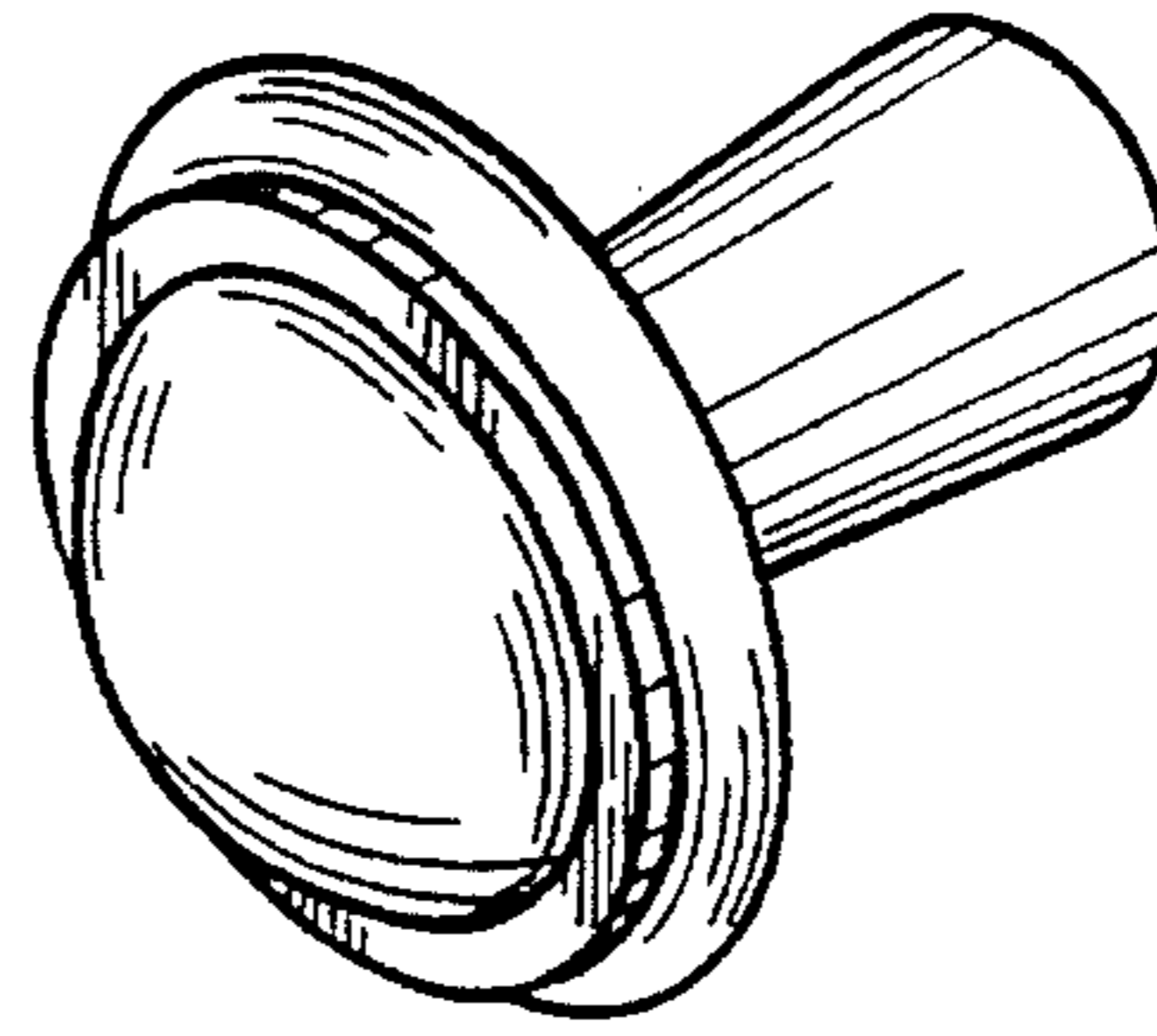


FIG. 2

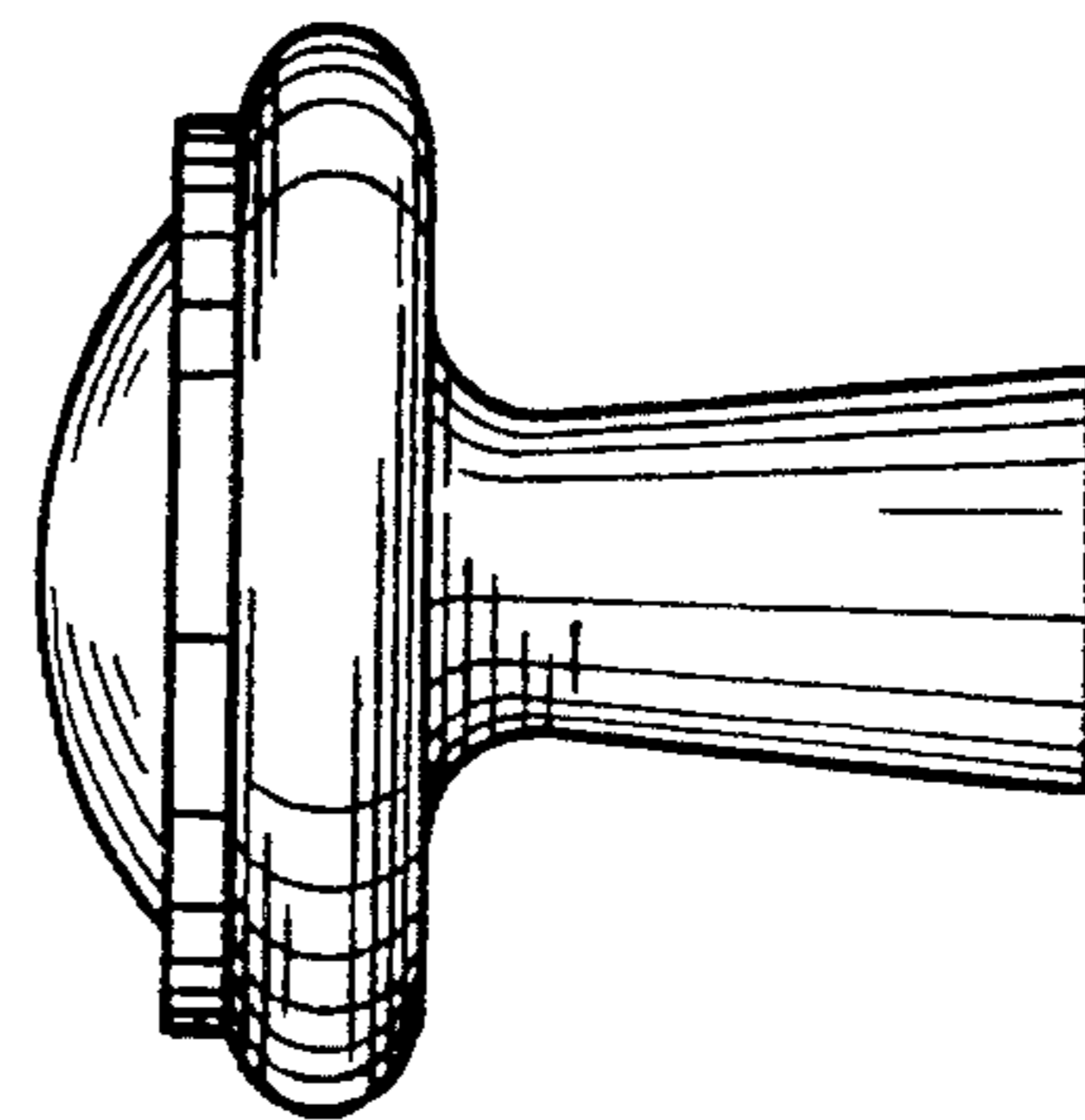


FIG. 3

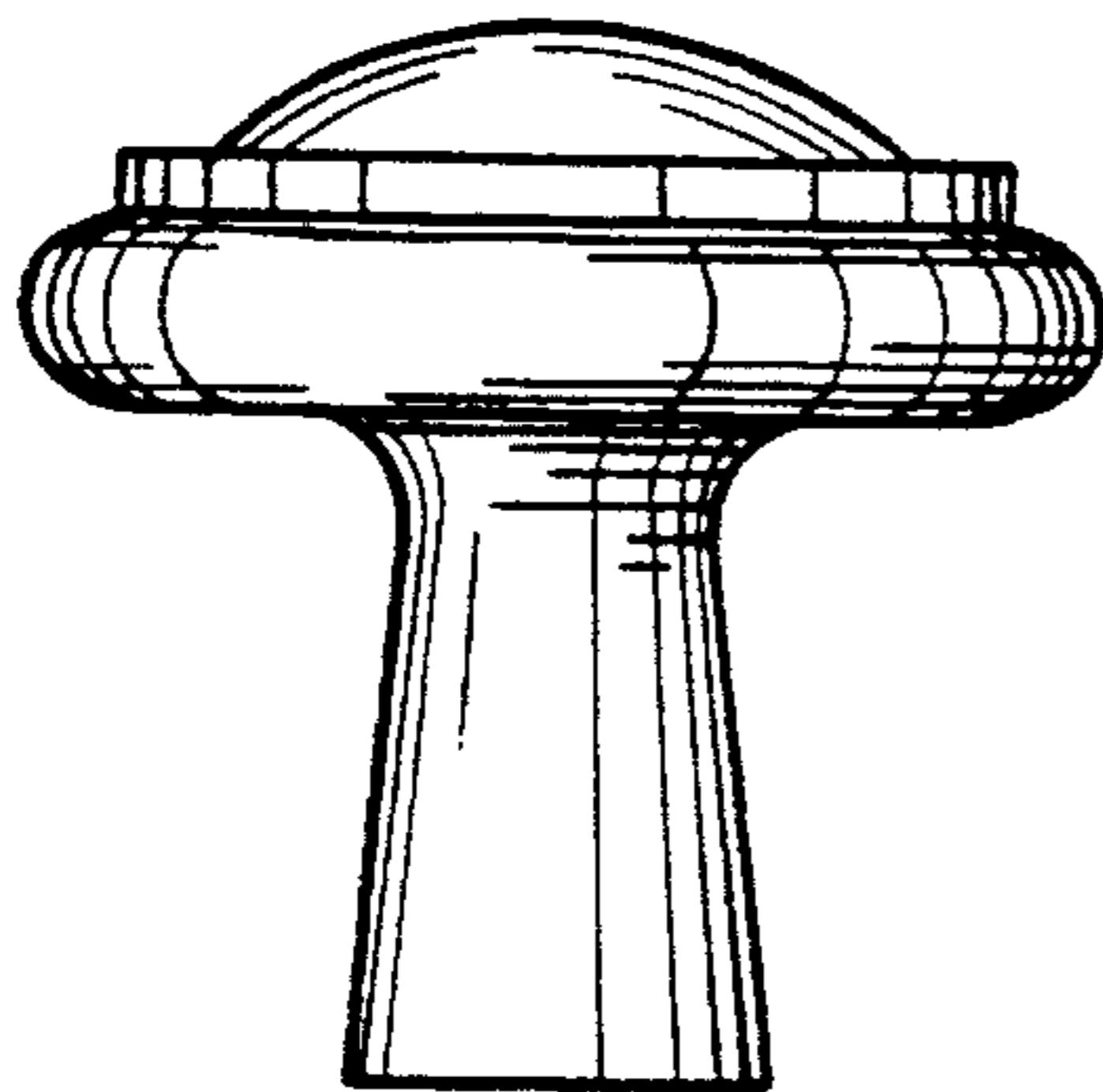


FIG. 4

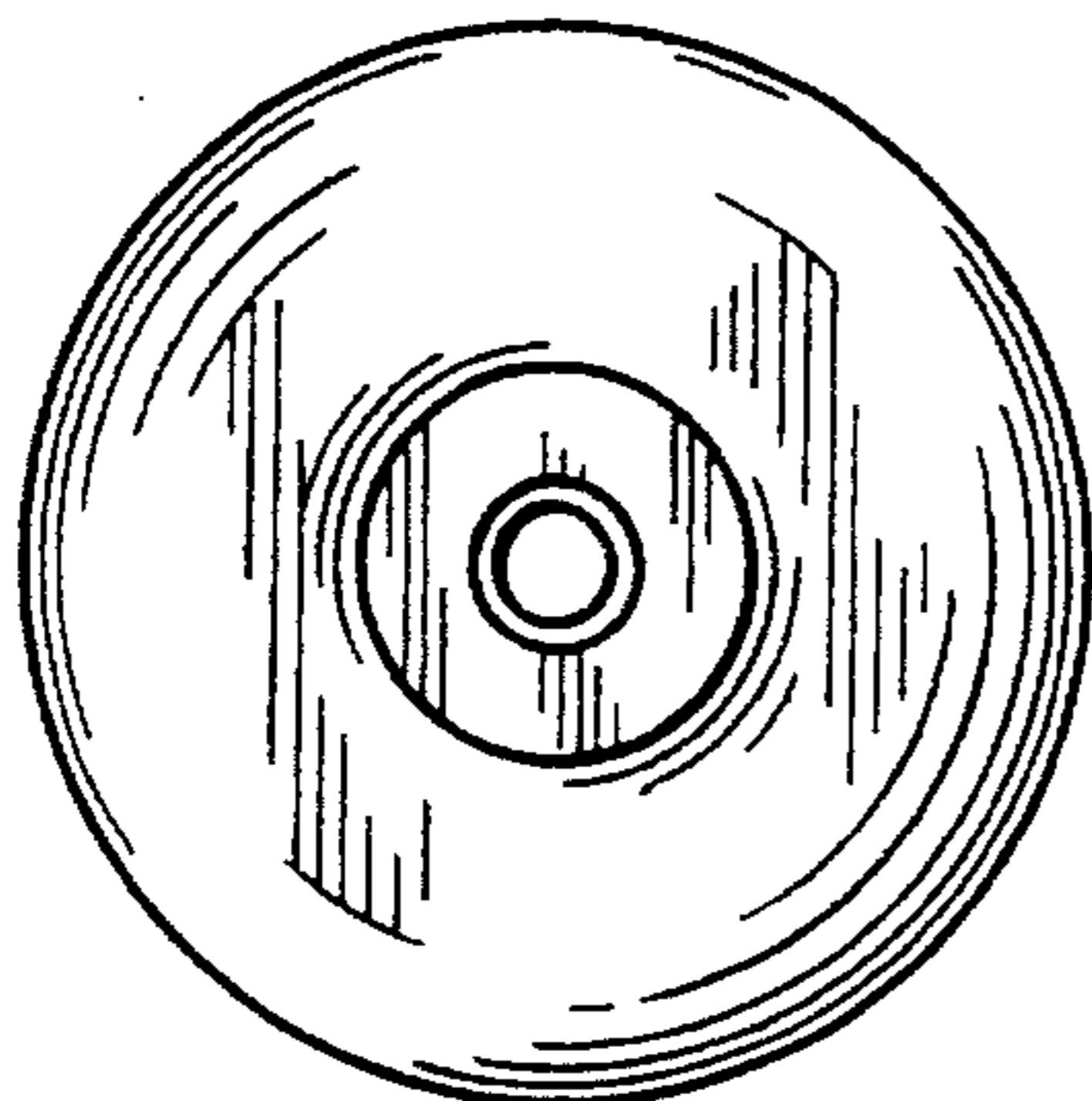


FIG. 5