



US00D368639S

**United States Patent** [19]  
**Chieda**

[11] **Patent Number: Des. 368,639**

[45] **Date of Patent: \*\*Apr. 9, 1996**

[54] **KNOB**

[75] Inventor: **Robert Chieda**, Wheaton, Ill.

[73] Assignee: **Newell Operating Company**, Freeport, Ill.

[\*\*] Term: **14 Years**

[21] Appl. No.: **34,470**

[22] Filed: **Feb. 6, 1995**

[52] U.S. Cl. .... **D8/310; D8/305**

[58] Field of Search ..... **D8/300, 305, 307, D8/310; 16/110 R, 121**

[56] **References Cited**

**U.S. PATENT DOCUMENTS**

D. 22,755	8/1893	Russell	.....	D8/305
D. 47,068	3/1915	Burns	.....	D8/307
D. 205,628	8/1966	Bottom	.....	D8/310

**OTHER PUBLICATIONS**

Belwith International, Ltd Cat.; ©1978; p. 6; Knob P210.  
Omnia Industries Cat.; p. 35; Knob 1121.

*Primary Examiner*—B. J. Bullock  
*Attorney, Agent, or Firm*—Foley & Lardner

[57] **CLAIM**

The ornamental design for a knob, as shown and described.

**DESCRIPTION**

FIG. 1 is a perspective view of a knob showing my new design;

FIG. 2 is an enlarged front view thereof;

FIG. 3 is an enlarged right side view thereof, the left side view being a mirror image;

FIG. 4 is an enlarged bottom plan view thereof; and,

FIG. 5 is an enlarged rear view thereof.

**1 Claim, 1 Drawing Sheet**

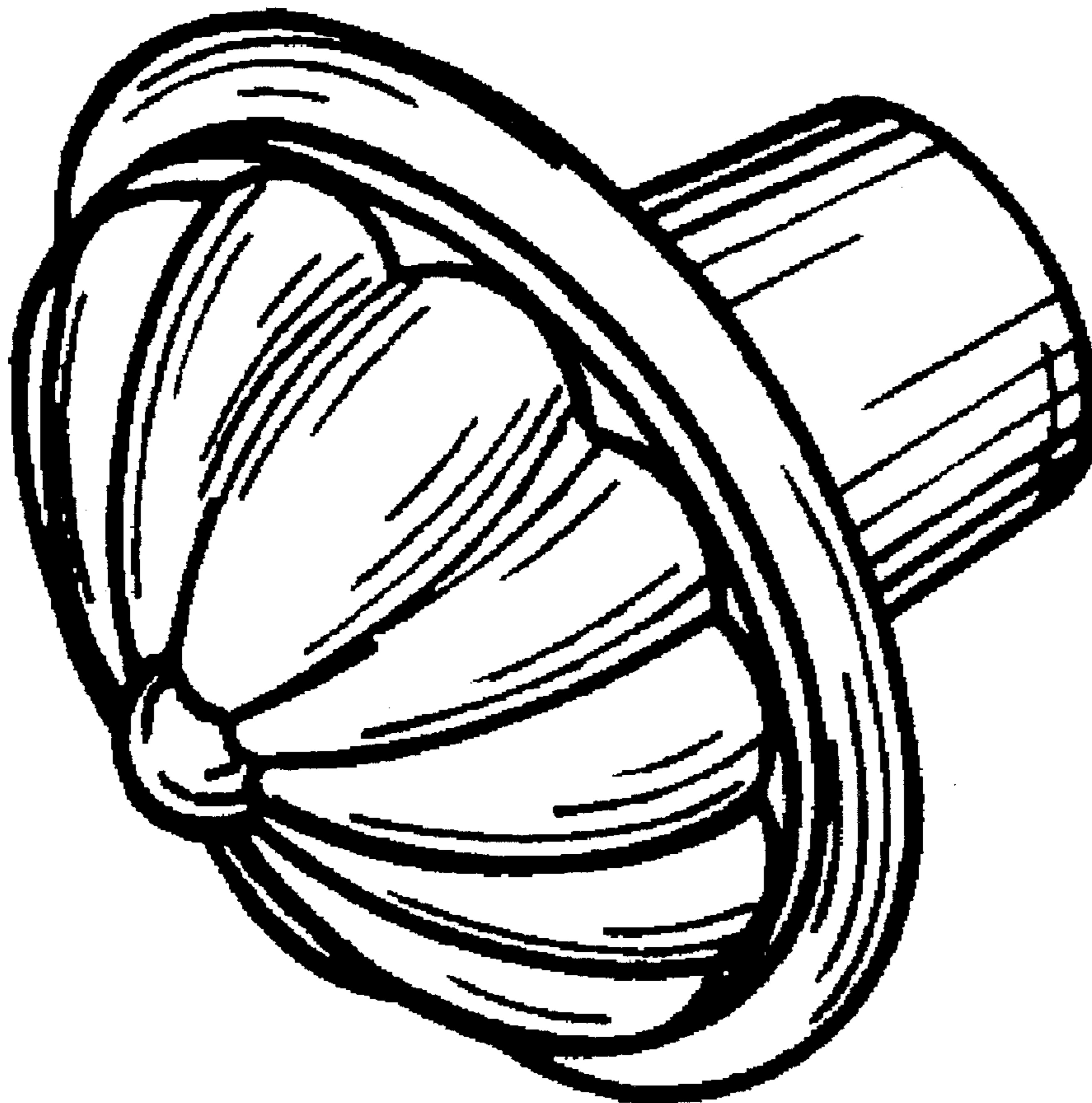


FIG. 1

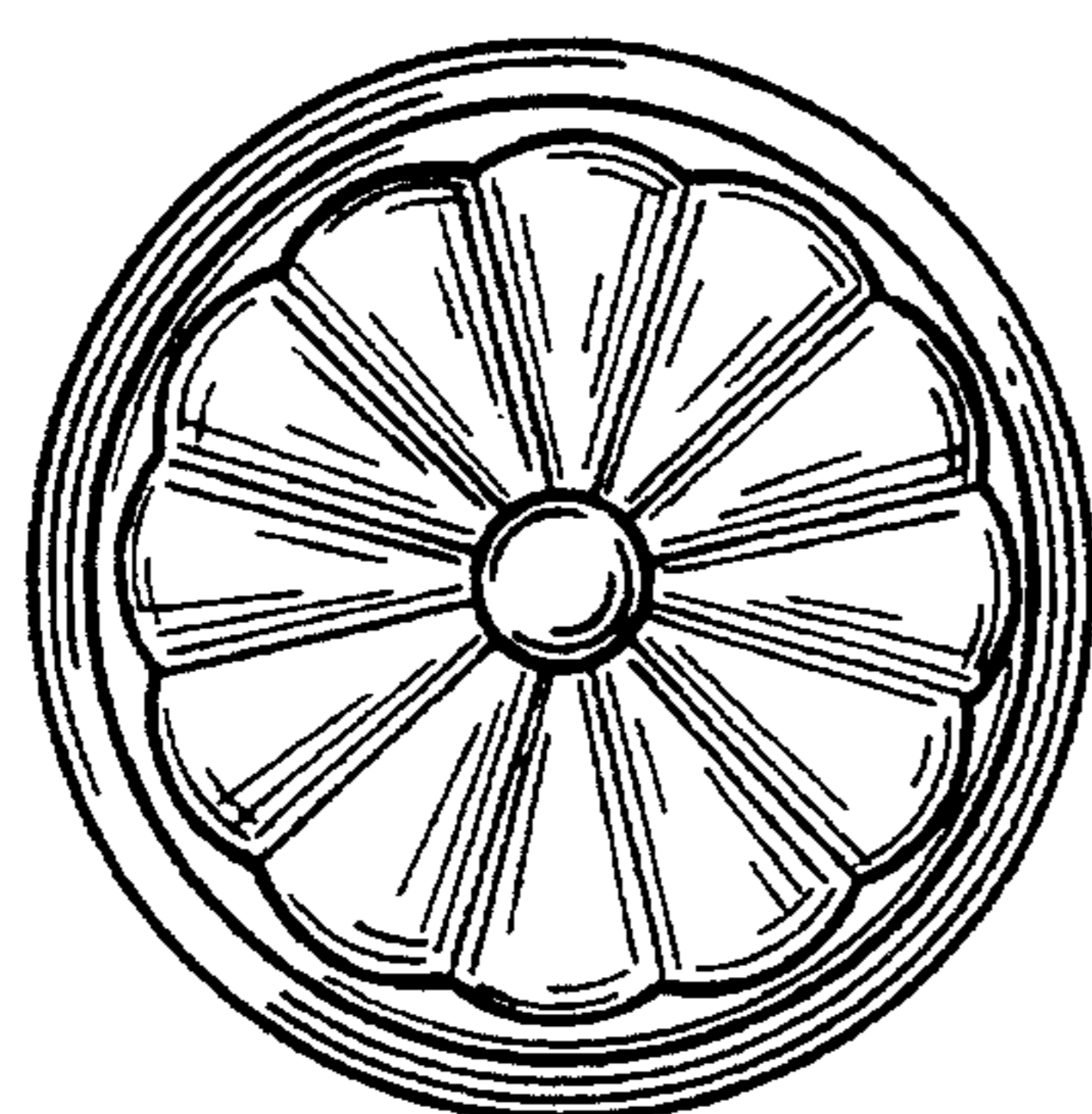
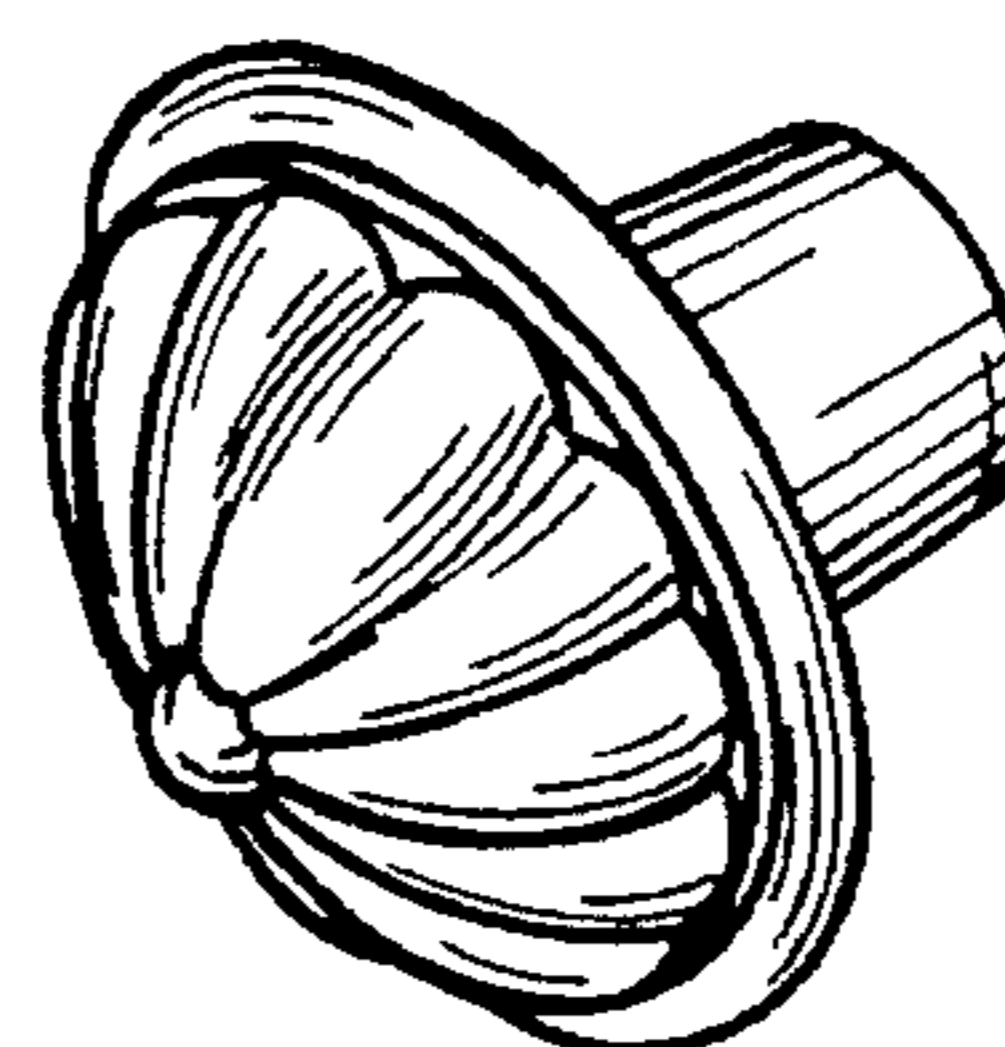


FIG. 2

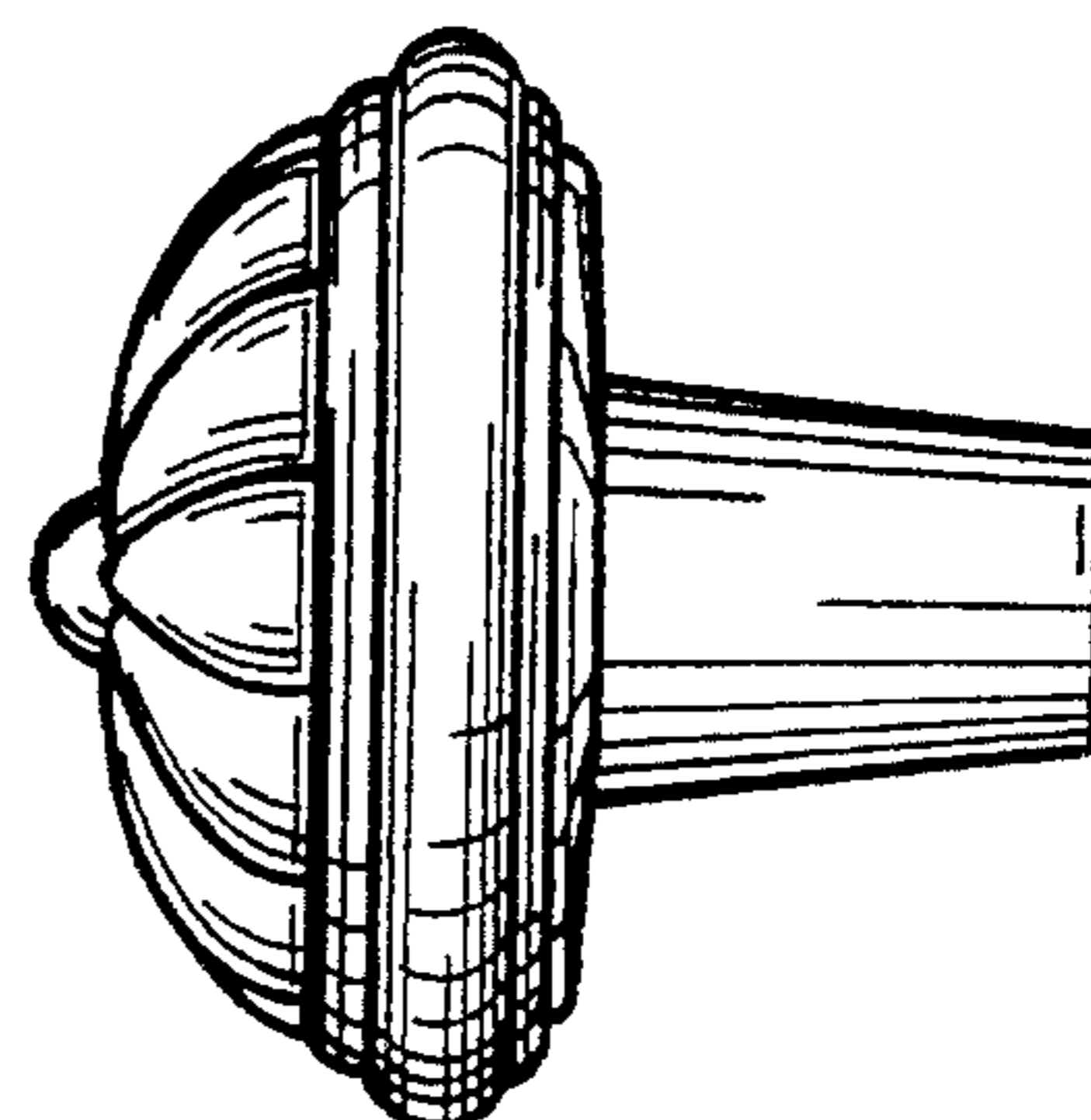


FIG. 3

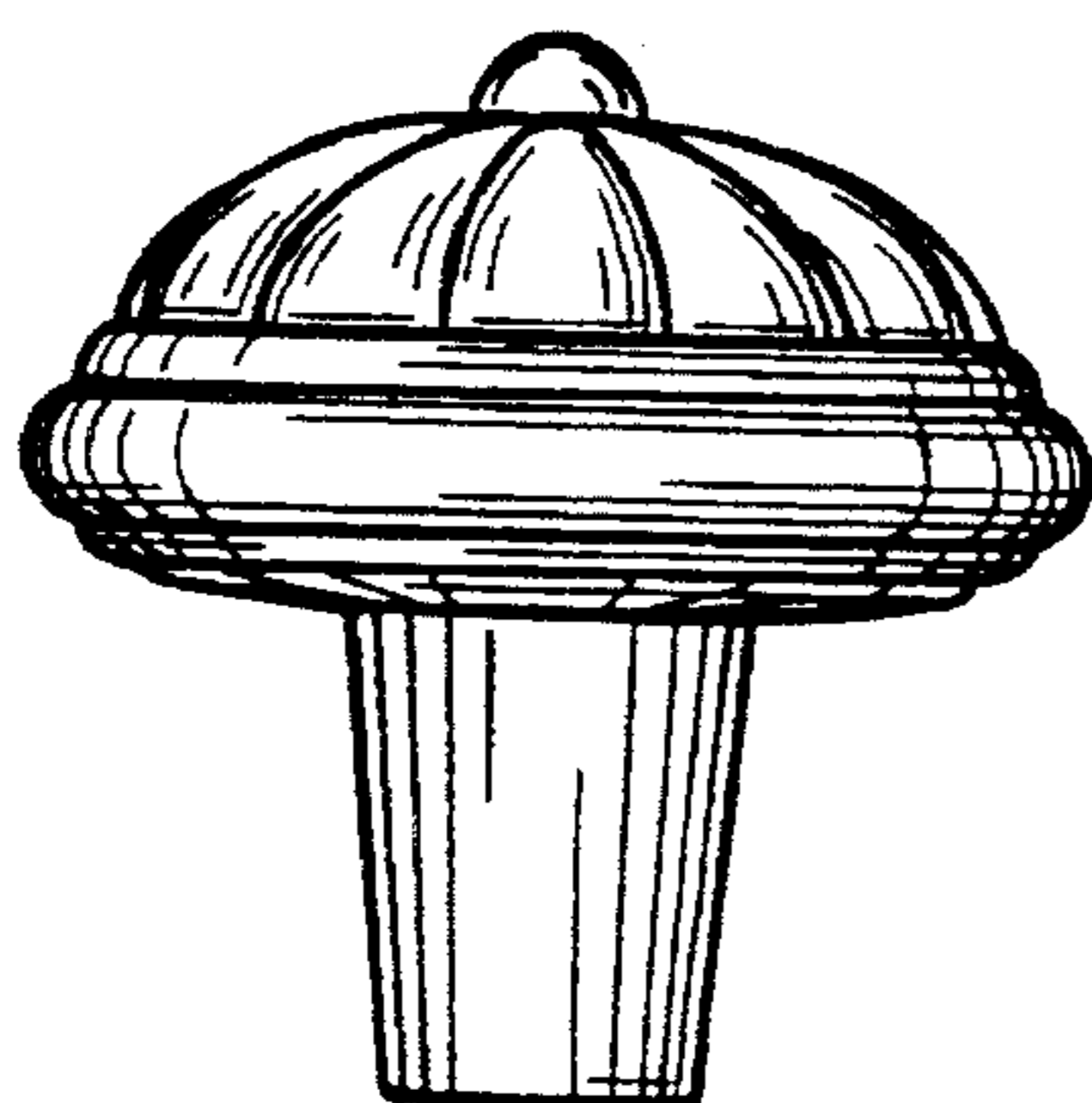


FIG. 4

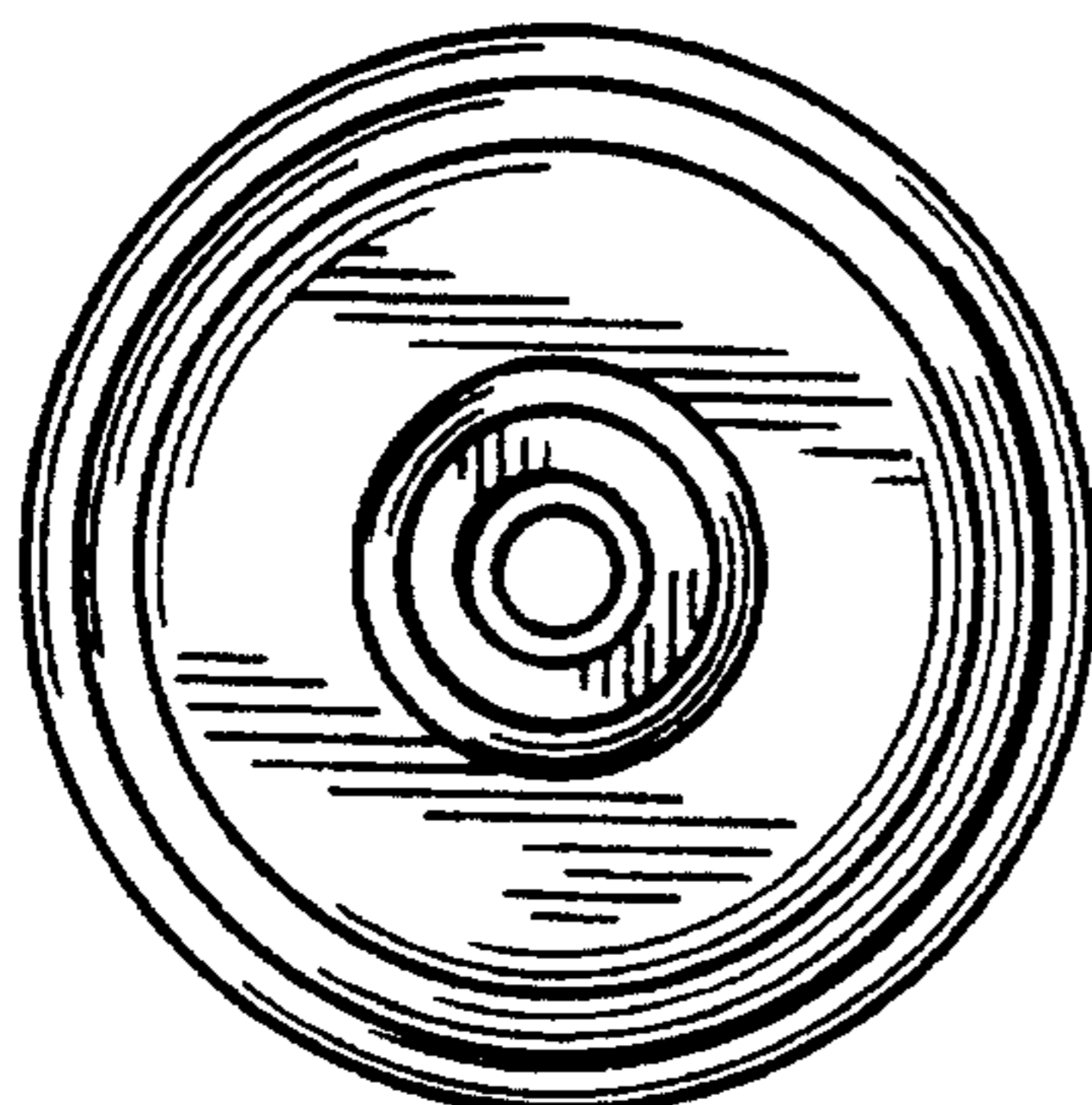


FIG. 5