



US00D368637S

# United States Patent [19]

Rochette et al.

[11] Patent Number: **Des. 368,637**

[45] Date of Patent: **\*\*Apr. 9, 1996**

[54] LEVER HANDLE

[75] Inventors: **William J. Rochette**, Meriden; **Thomas F. Hennessy**, Bristol, both of Conn.

[73] Assignee: **International Security Products, Inc.**, Southington, Conn.

[\*\*] Term: **14 Years**

[21] Appl. No.: **27,240**

[22] Filed: **Aug. 16, 1994**

[52] U.S. Cl. .... **D8/308**

[58] Field of Search ..... D8/300, 308; 16/110 R, 16/114 R, 116 R, DIG. 18, DIG. 19; 70/DIG. 73; 74/543, 545; 81/489; 292/DIG. 6, DIG. 68

[56] **References Cited**

**U.S. PATENT DOCUMENTS**

D. 151,379 10/1948 MacKichan ..... D8/315 X

D. 222,427 10/1971 Deuring ..... D8/308  
D. 313,542 1/1991 Fayerman ..... D8/308  
1,989,420 1/1935 Keeler ..... 74/545

*Primary Examiner*—Ted Shooman  
*Assistant Examiner*—Dominic Simone  
*Attorney, Agent, or Firm*—Chilton, Alix & Van Kirk

[57] **CLAIM**

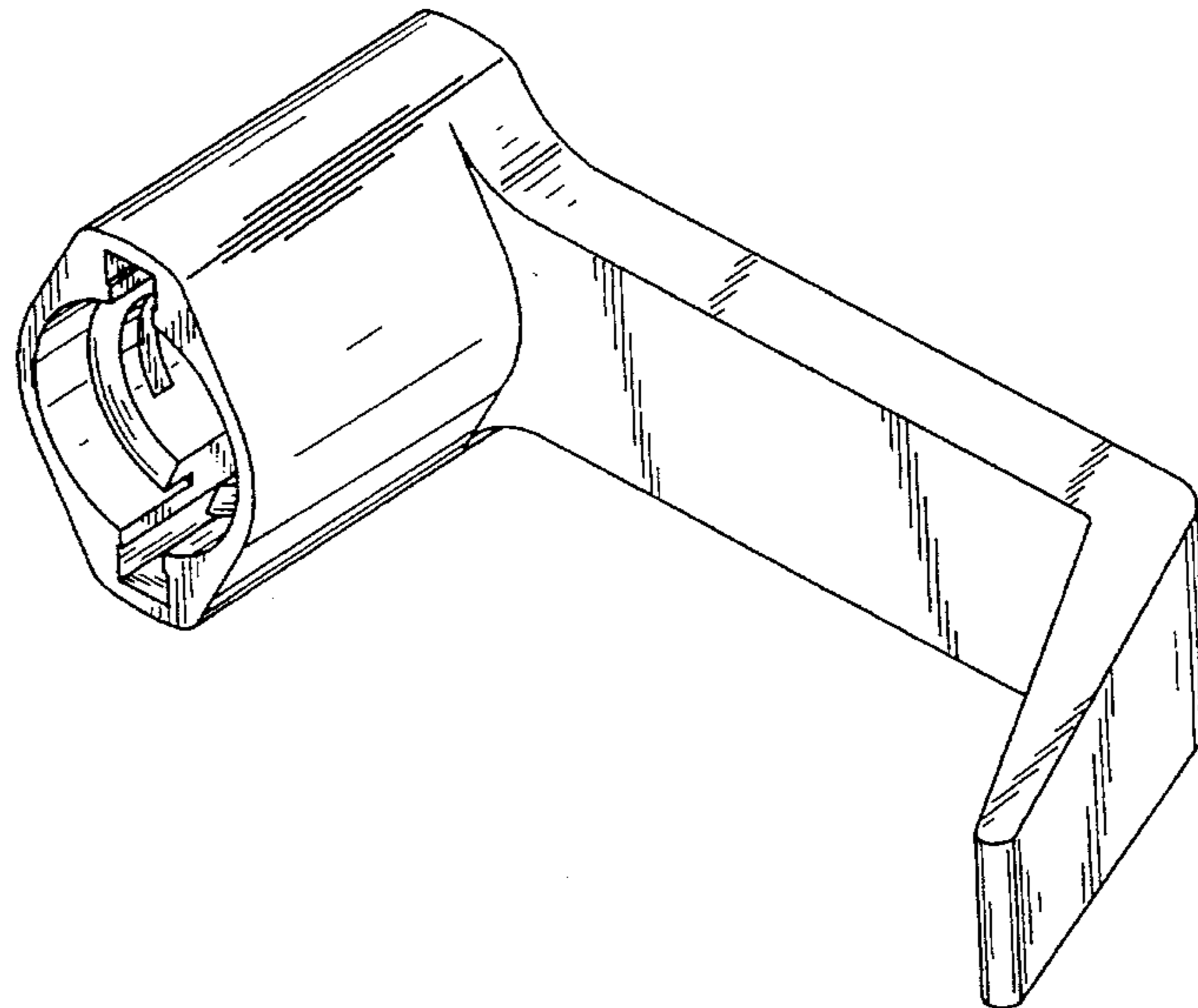
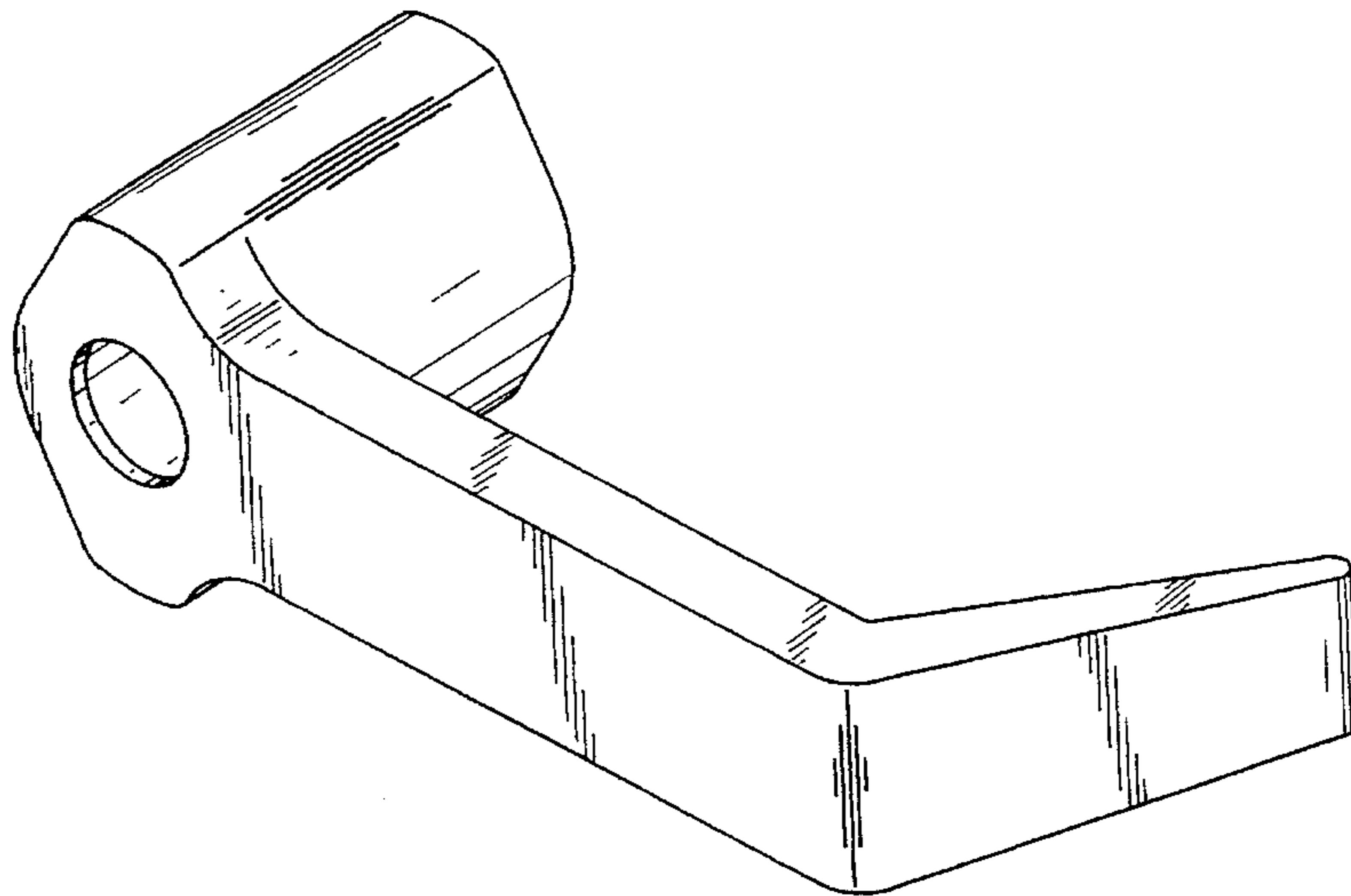
The ornamental design for a lever handle, as shown and described.

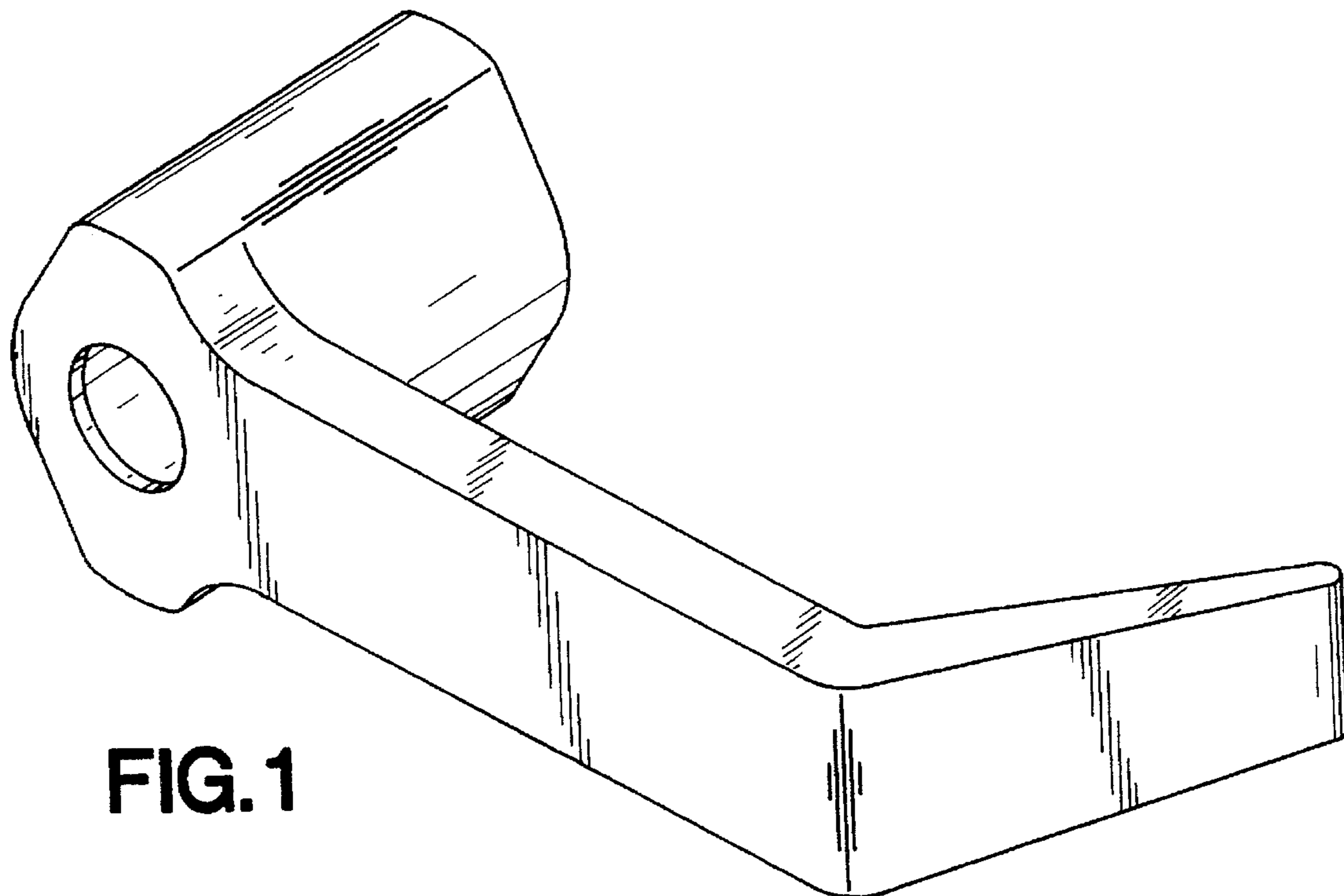
**DESCRIPTION**

FIG. 1 is a front perspective view of a lever handle showing our new design; and,

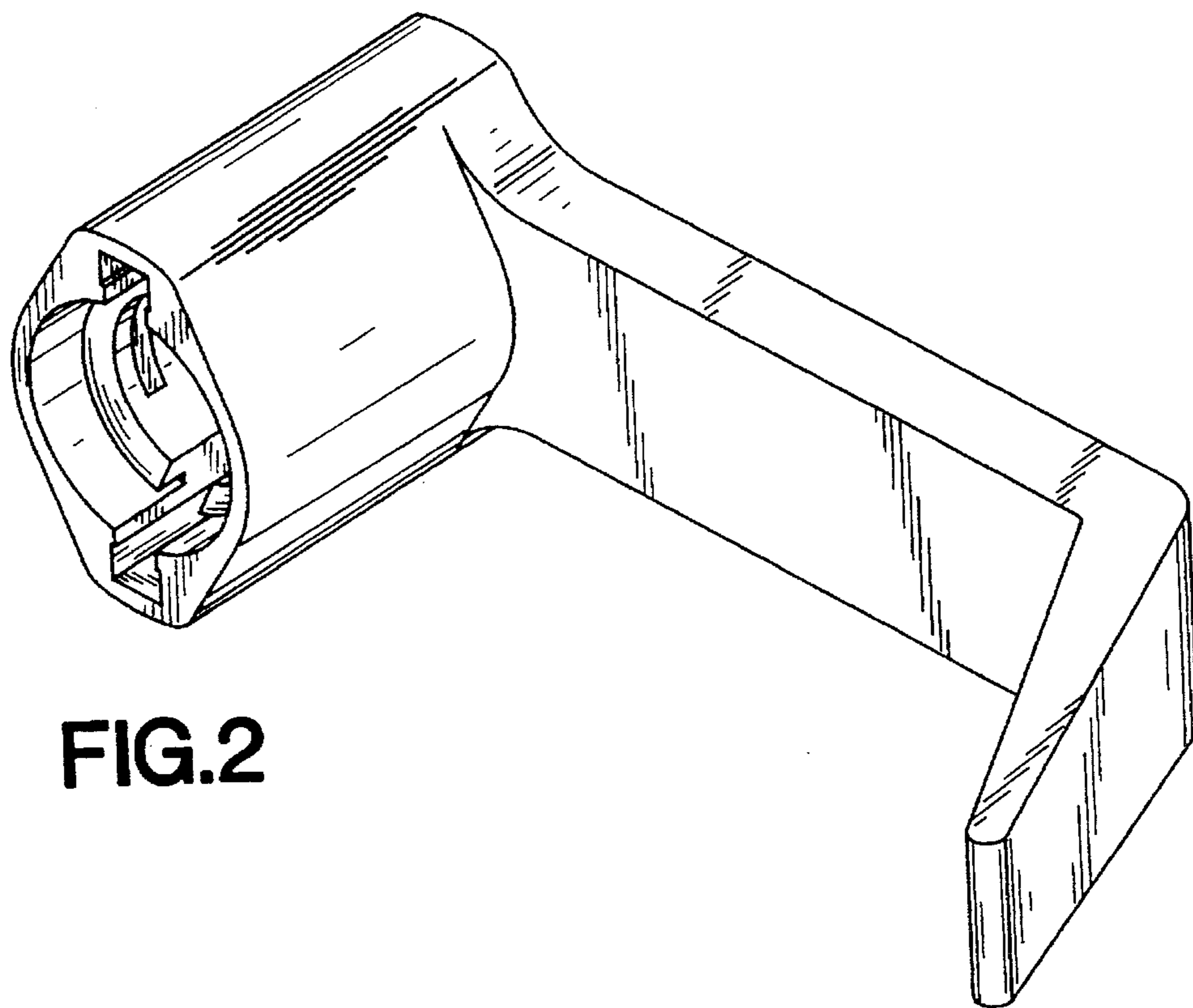
FIG. 2 is a rear perspective view thereof.

**1 Claim, 1 Drawing Sheet**





**FIG. 1**



**FIG. 2**