



US00D368636S

United States Patent [19]

Planka et al.

[11] Patent Number: **Des. 368,636**

[45] Date of Patent: ****Apr. 9, 1996**

[54] HANDLE

[75] Inventors: **David M. Planka**, Dallas; **Timothy W. Terleski**, Garland, both of Tex.

[73] Assignee: **Doskocil Manufacturing Company, Inc.**, Arlington, Tex.

[**] Term: **14 Years**

[21] Appl. No.: **23,830**

[22] Filed: **Jun. 1, 1994**

[52] U.S. Cl. **D8/300**

[58] Field of Search D8/300, 306, 313, D8/321; D3/276, 281, 318; 190/115, 116; 16/110 R, 114 R, 116 R, DIG. 18, DIG. 19; 70/DIG. 73; 81/489; 292/DIG. 6, DIG. 68

[56] **References Cited**

U.S. PATENT DOCUMENTS

D. 157,778 3/1950 Neumann D8/306

D. 185,641 7/1959 Kothins D8/306
D. 283,977 5/1986 Kunzler D8/321 X
2,677,444 5/1954 Drogin D8/313 X
3,371,757 3/1968 Jamison et al. 190/115

Primary Examiner—Ted Shooman
Assistant Examiner—Dominic Simone
Attorney, Agent, or Firm—Andrew J. Dillon

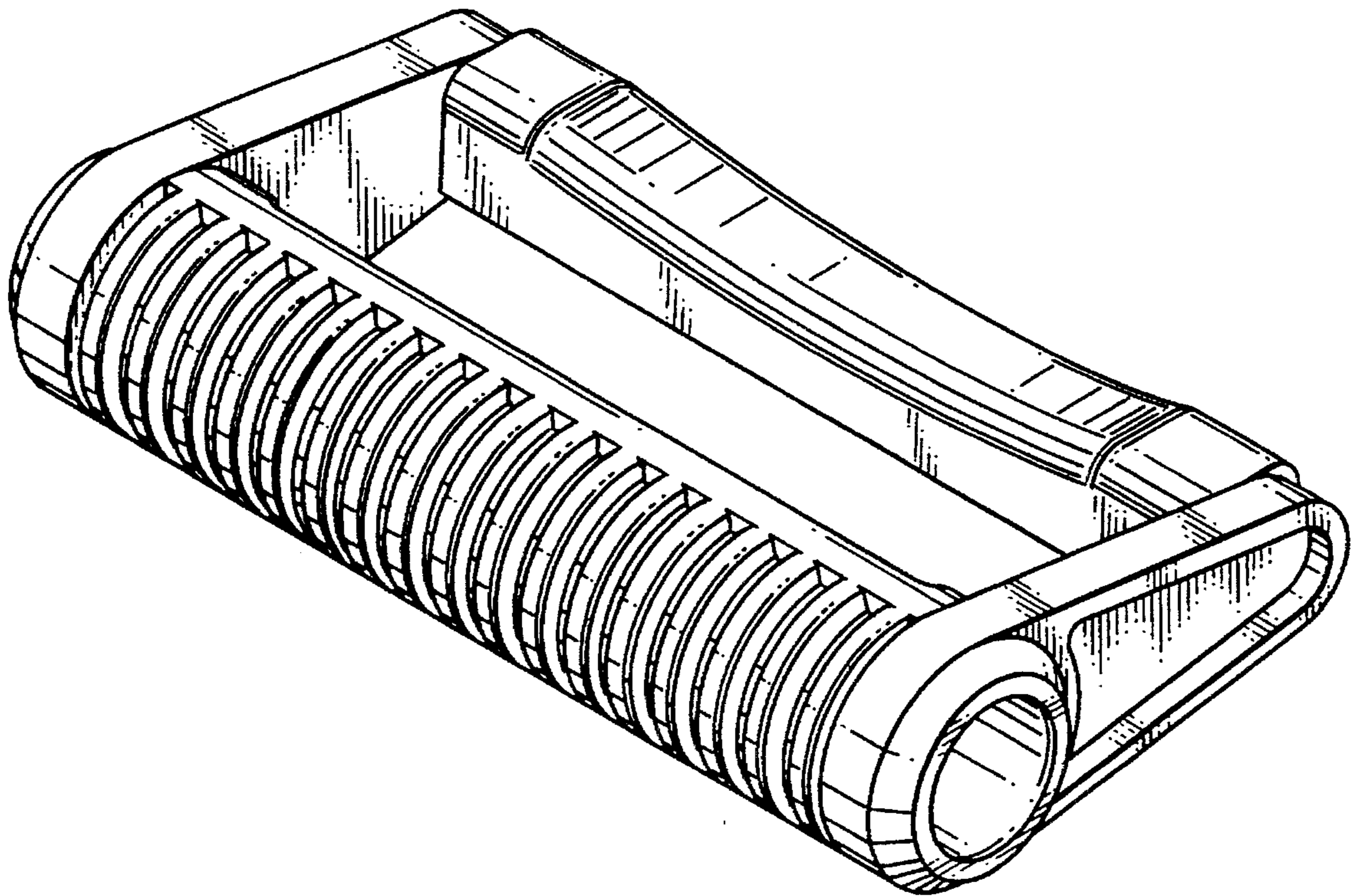
[57] **CLAIM**

The ornamental design for a handle, as shown and described.

DESCRIPTION

FIG. 1 is a front perspective view of a handle showing my new design;
FIG. 2 is a top plan view thereof;
FIG. 3 is a front elevational view thereof;
FIG. 4 is a left side elevational view thereof, the right side being a mirror image;
FIG. 5 is a rear elevational view thereof; and,
FIG. 6 is a bottom plan view thereof.

1 Claim, 2 Drawing Sheets



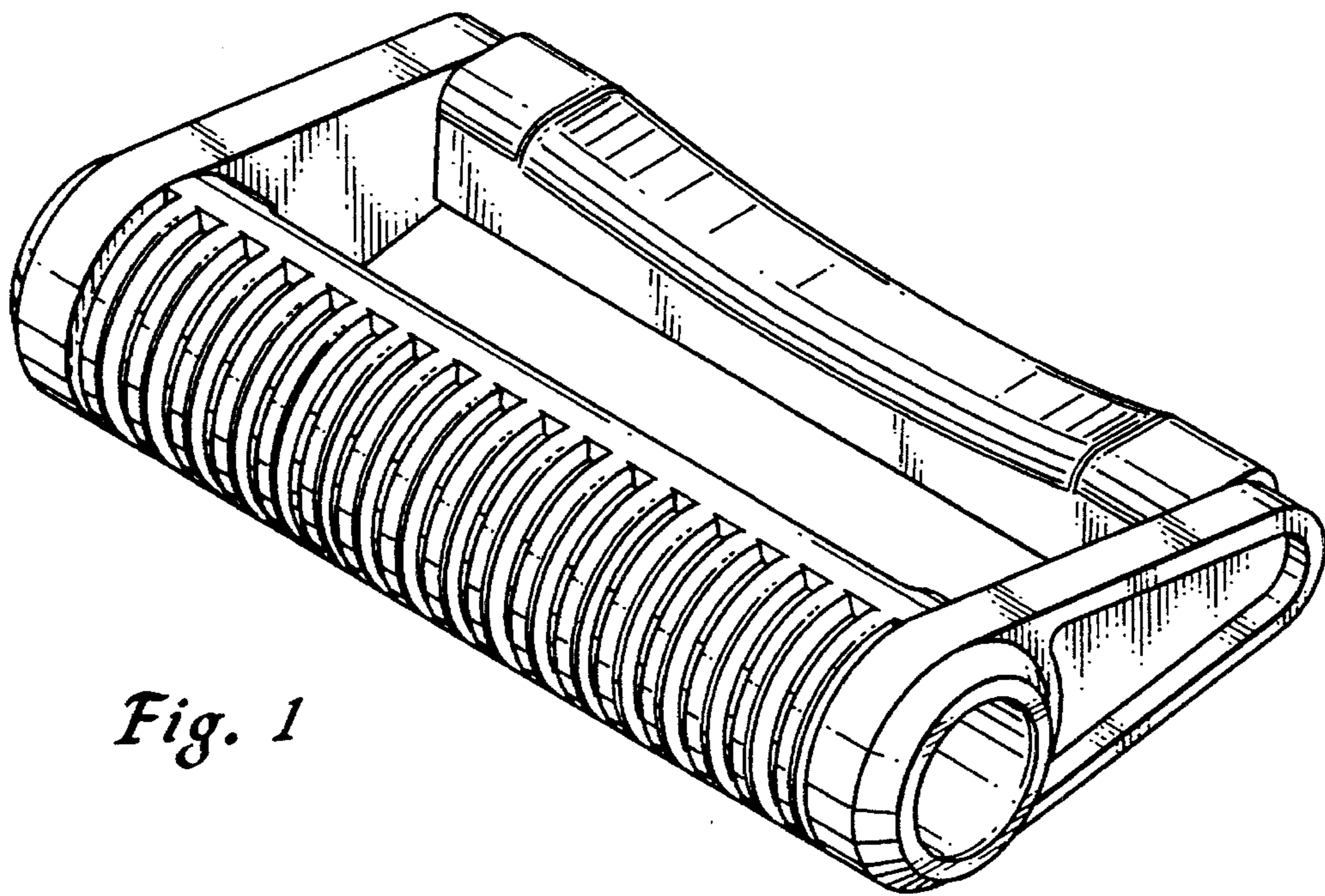


Fig. 1

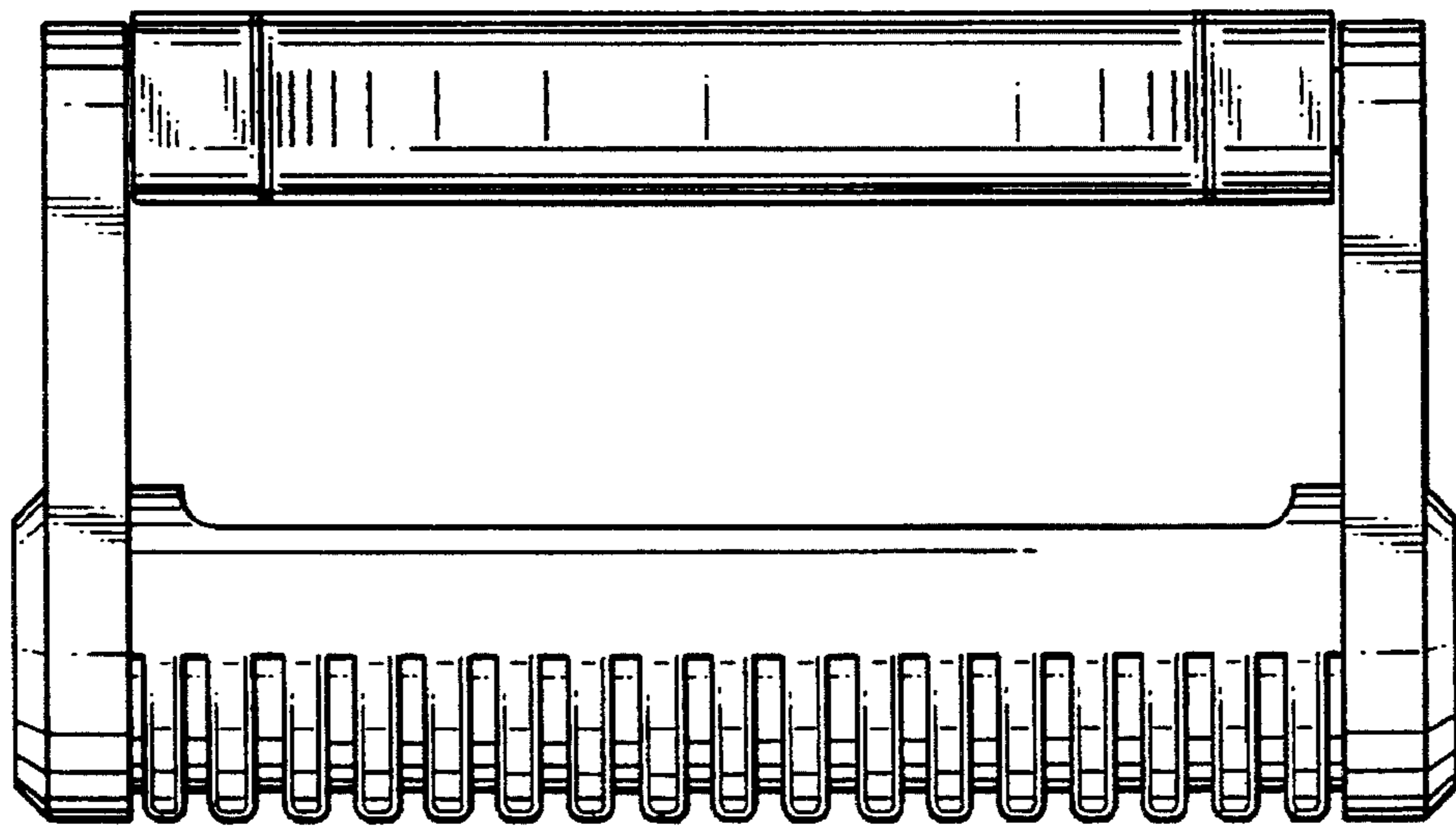


Fig. 2

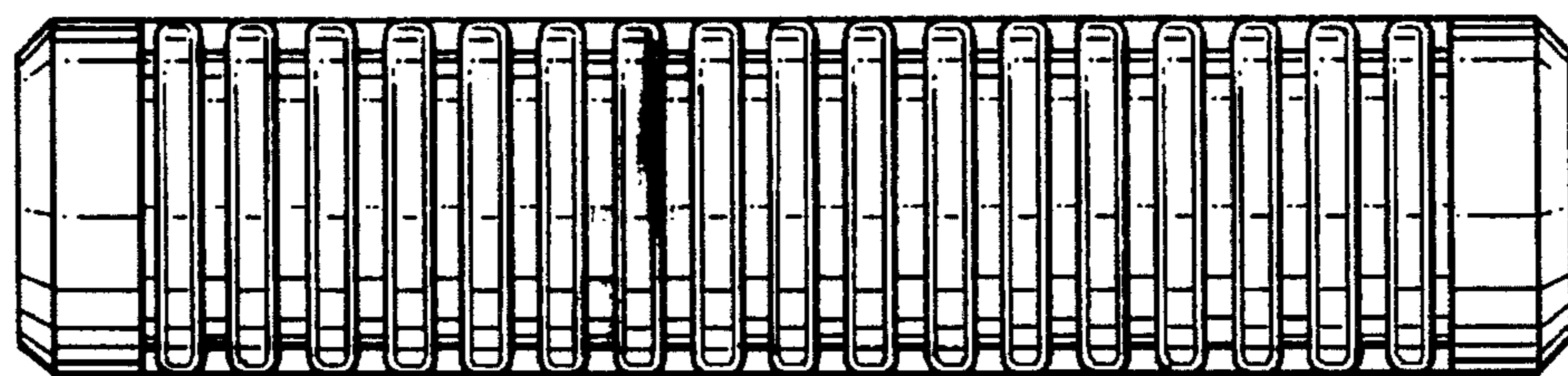


Fig. 3

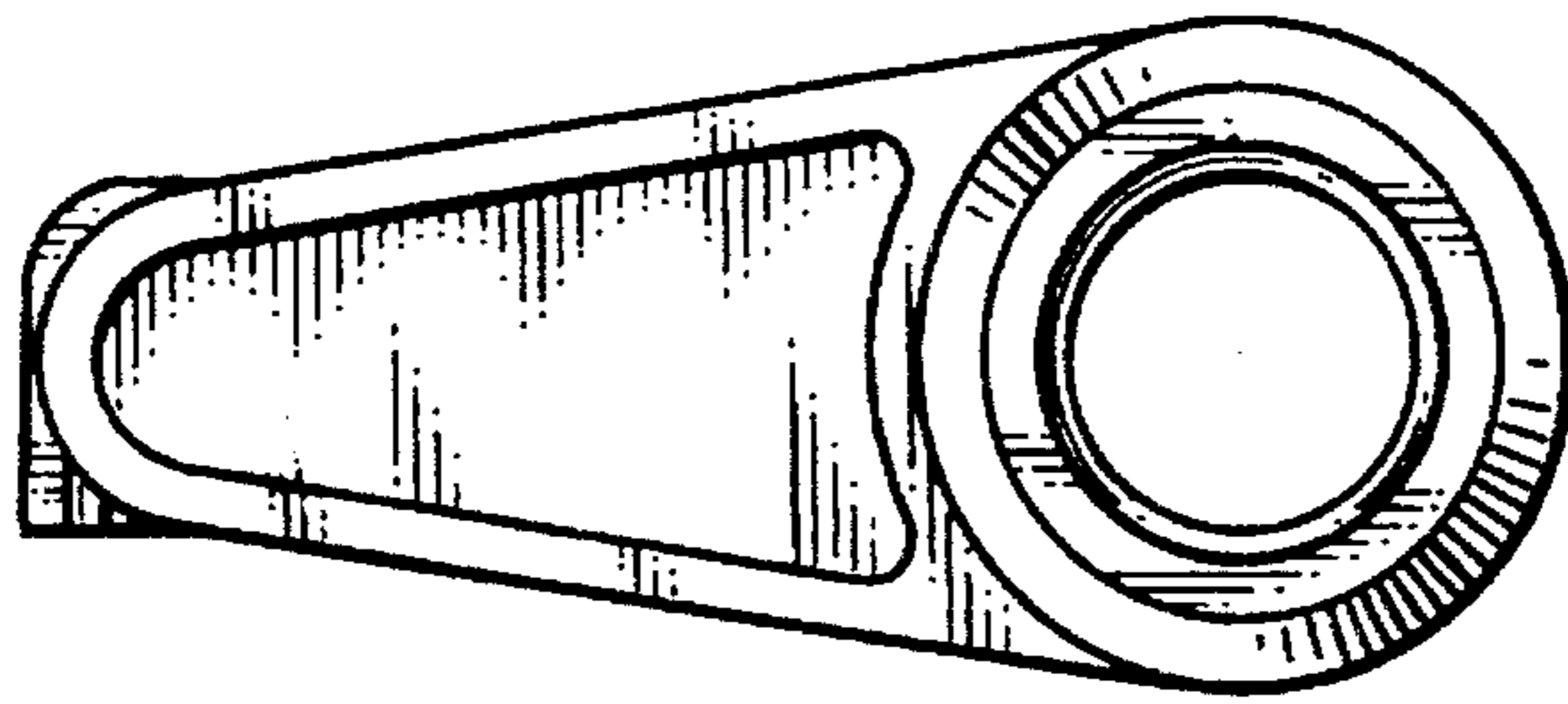


Fig. 4

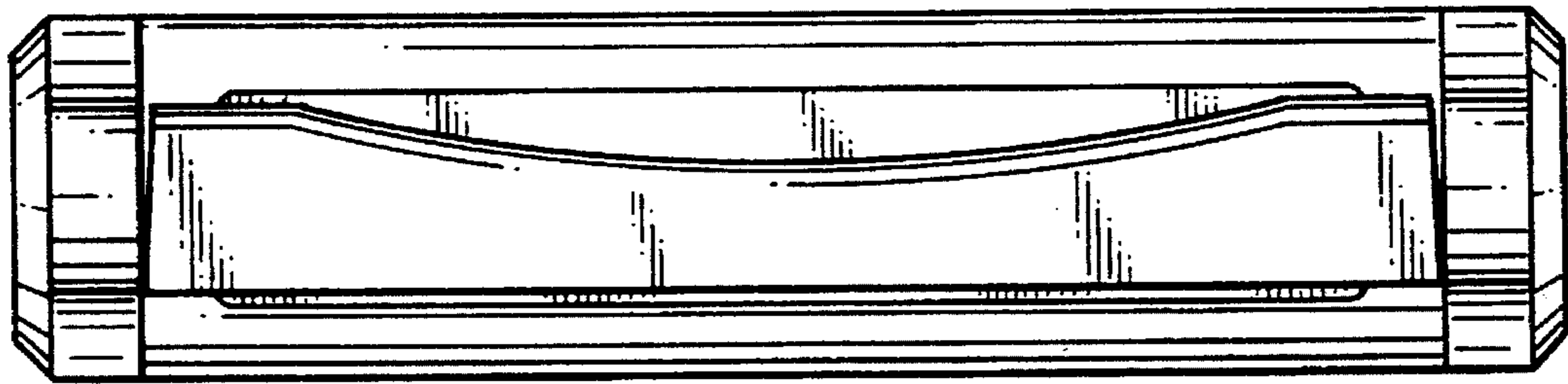


Fig. 5

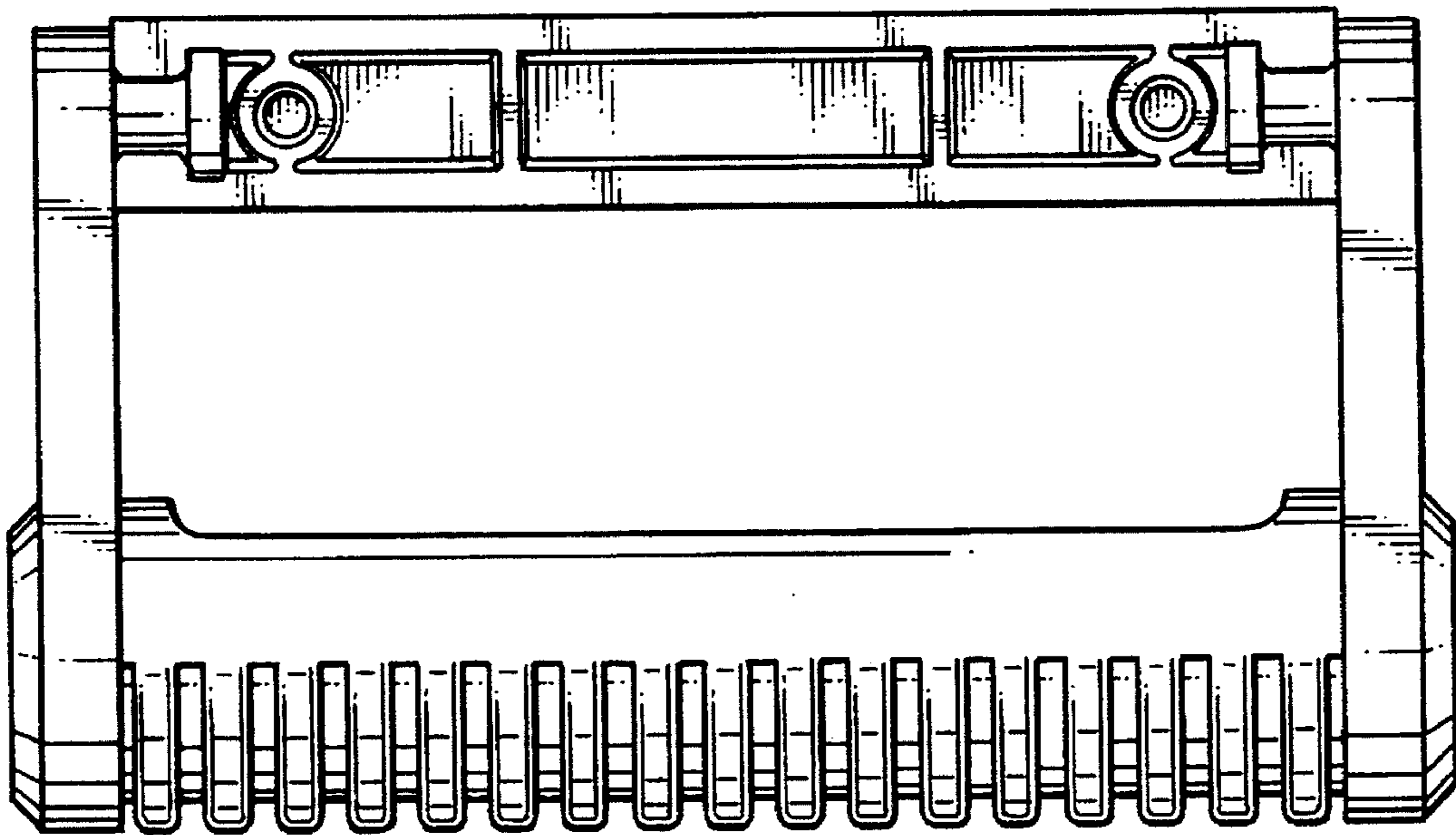


Fig. 6