



US00D368631S

United States Patent [19]
Swierczynski

[11] **Patent Number: Des. 368,631**
[45] **Date of Patent: **Apr. 9, 1996**

[54] **GARDEN TOOL EXTENSION HANDLE**

4,462,284 7/1984 Gowers 81/427.5

[76] Inventor: **S. Joseph Swierczynski**, 22712
Worthington St., St. Clair Shores, Mich.
48081

Primary Examiner—Ted Shooman
Assistant Examiner—Philip Hyder
Attorney, Agent, or Firm—Terry M. Gernstein

[**] Term: **14 Years**

[57] **CLAIM**

[21] Appl. No.: **25,370**

The ornamental design for a garden tool extension handle, as shown and described.

[22] Filed: **Jun. 30, 1994**

DESCRIPTION

[52] U.S. Cl. **D8/51; D8/107; D8/4**

[58] **Field of Search** D8/1, 4, 5, 51,
D8/52, 107, 54; 294/19.1, 8.5, 11; 81/177.1,
180.1, 177.2, 415, 383, 351, 350, 427.5

FIG. 1 is a front, top and side perspective view of the garden tool extension handle showing my new design;
FIG. 2 is a top plan view thereof, the bottom view being a mirror image of the top view shown in FIG. 2;
FIG. 3 is a side elevational view thereof, the side opposite being a mirror image of the side shown in FIG. 3;
FIG. 4 is a front end elevational view thereof; and,
FIG. 5 is a rear end elevational view thereof.

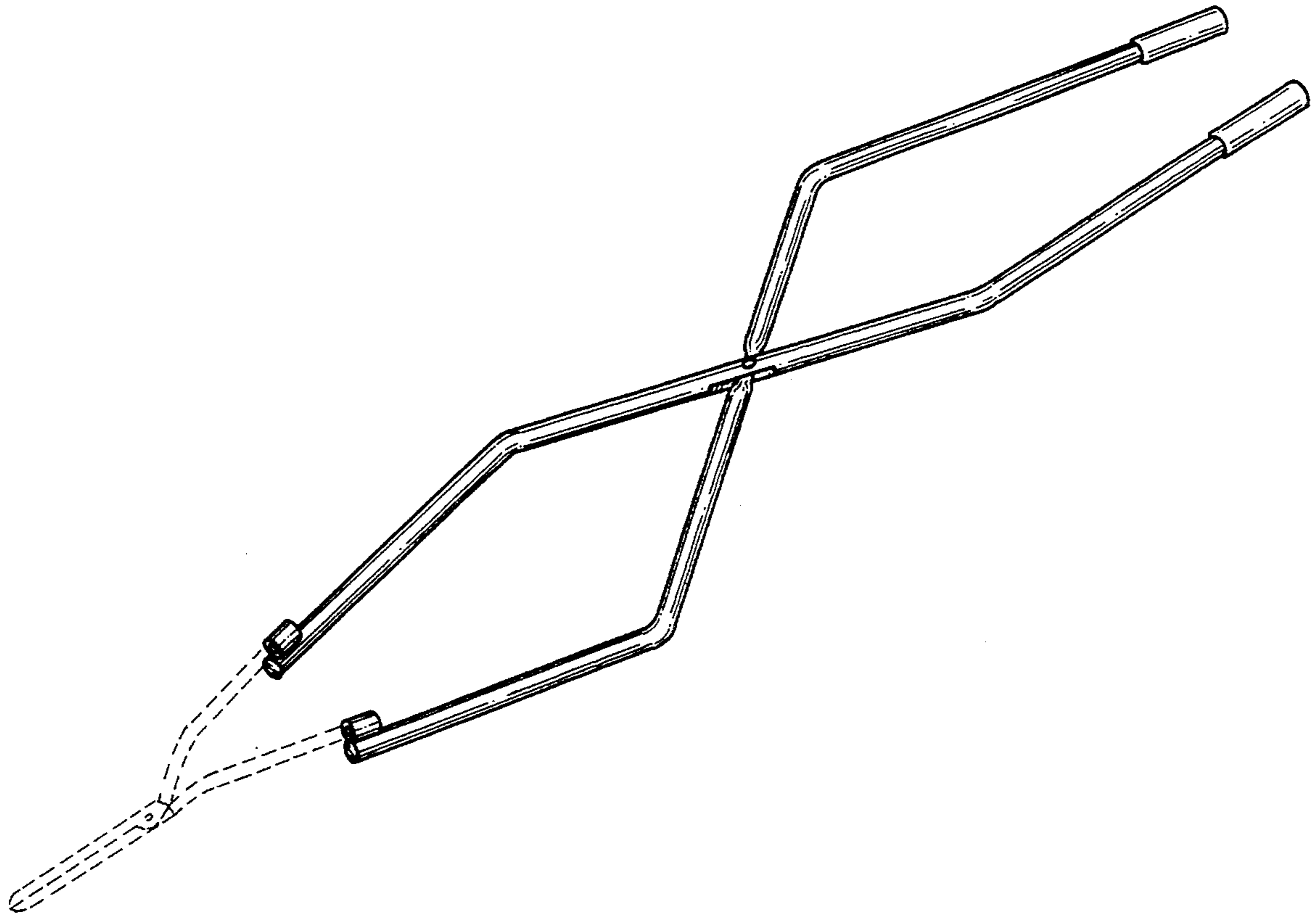
[56] **References Cited**

U.S. PATENT DOCUMENTS

2,057,201	10/1936	McCluskey	81/415
3,057,233	10/1962	Turner	81/350
3,074,164	1/1963	Porter	81/350
3,094,018	6/1963	Collett	81/350
3,112,135	11/1963	Salomonson	81/351
3,691,877	9/1972	Harris	81/177.2
3,958,442	5/1976	Walia et al.	81/177.7

The broken line showing of the gardening tool in FIG. 1 is for illustrative purposes only and forms no part of the claimed design.

1 Claim, 3 Drawing Sheets



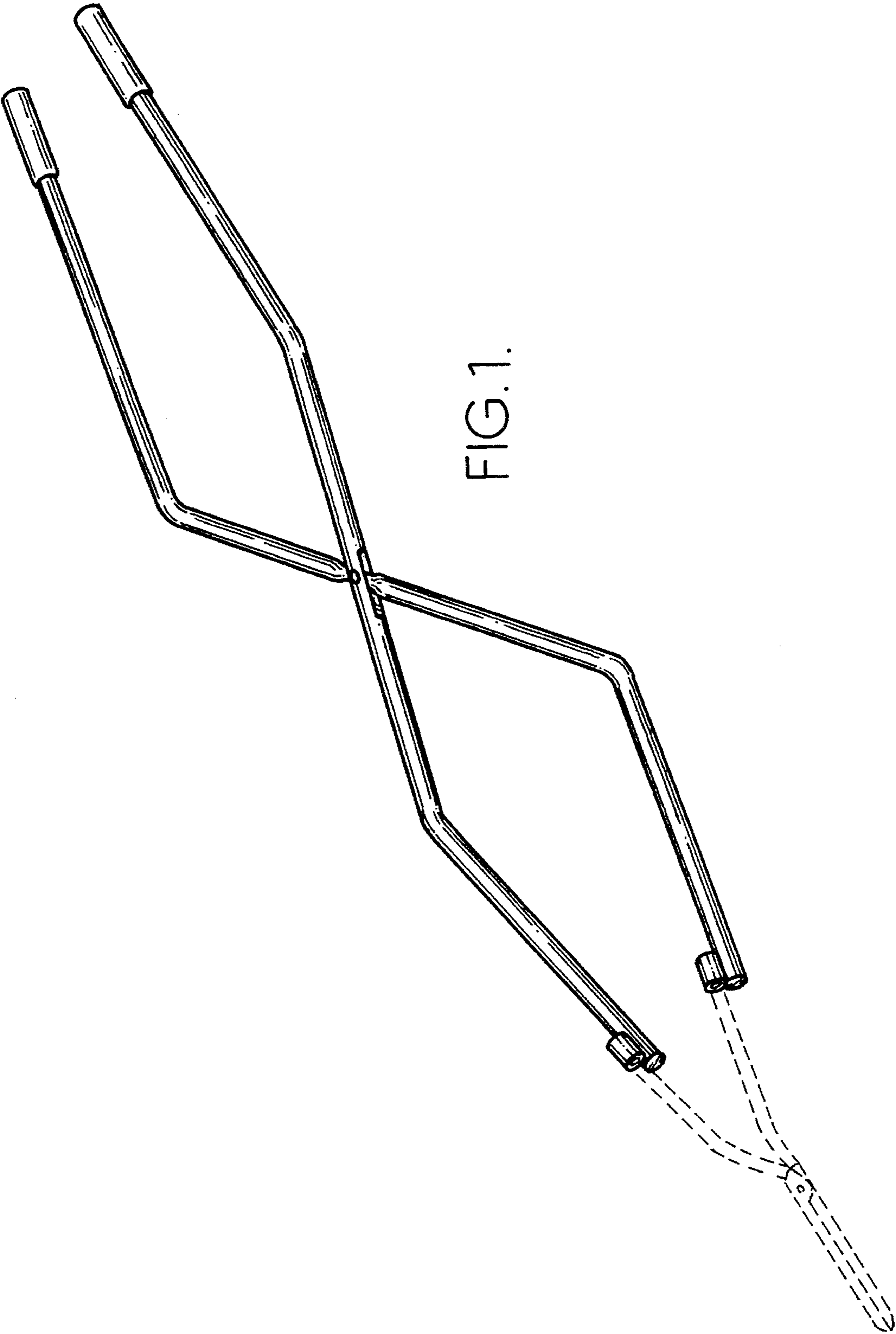


FIG. 1.

FIG. 2.

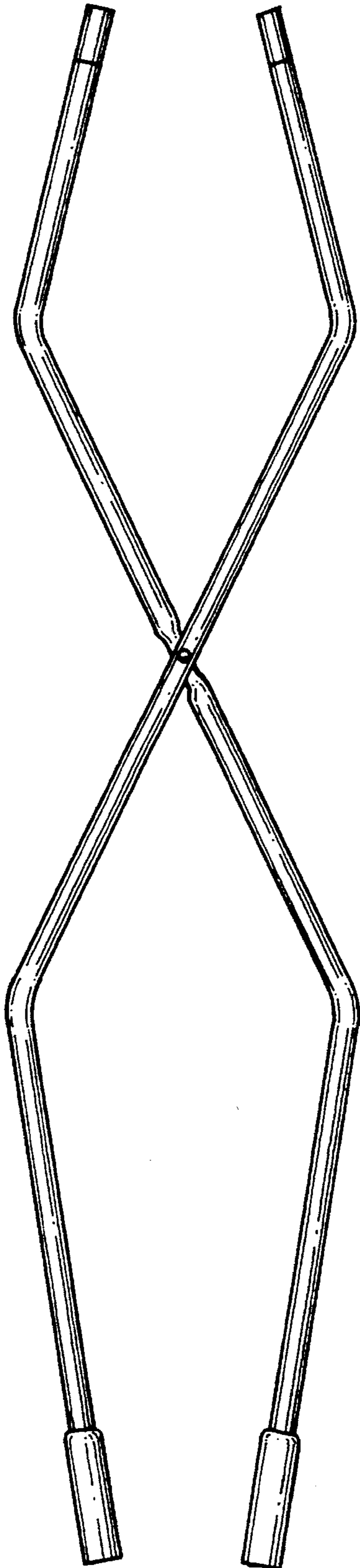


FIG. 3.



FIG. 4.



FIG. 5.