



US00D368630S

United States Patent [19]
Geise

[11] **Patent Number:** **Des. 368,630**
[45] **Date of Patent:** ****Apr. 9, 1996**

[54] **SALAD TONGS**

[76] **Inventor:** **Richard A. Geise**, 2109 N. 140th St.,
Seattle, Wash. 98133-7202

[**] **Term:** **14 Years**

[21] **Appl. No.:** **34,298**

[22] **Filed:** **Jan. 31, 1995**

[52] **U.S. Cl.** **D7/686**

[58] **Field of Search** D7/666, 683-687,
D7/642; 294/3, 8.5, 11, 16, 99.1, 99.2,
118, 119

[56] **References Cited**

U.S. PATENT DOCUMENTS

D. 33,098	8/1900	Gurley	D7/686	X
D. 236,416	8/1975	Davis	D7/686	
D. 284,440	7/1986	Zieff	D7/666	X
2,346,537	4/1944	Fernandez	294/99.2	
3,934,915	1/1976	Humpa	294/99.2	

Primary Examiner—Terry A. Wallace
Attorney, Agent, or Firm—Robert W. Beach

[57] **CLAIM**

The ornamental design for salad tongs, as shown and described.

DESCRIPTION

FIG. 1 is a top perspective view of salad tongs showing my new design;

FIG. 2 is a top plan view thereof, the top plan view and the bottom plan view being identical;

FIG. 3 is a side elevational view thereof, the opposite sides being identical;

FIG. 4 is an end elevational view thereof as seen from the left end of FIG. 2; and,

FIG. 5 is an end elevational view thereof as seen from the right end of FIG. 2.

1 Claim, 1 Drawing Sheet

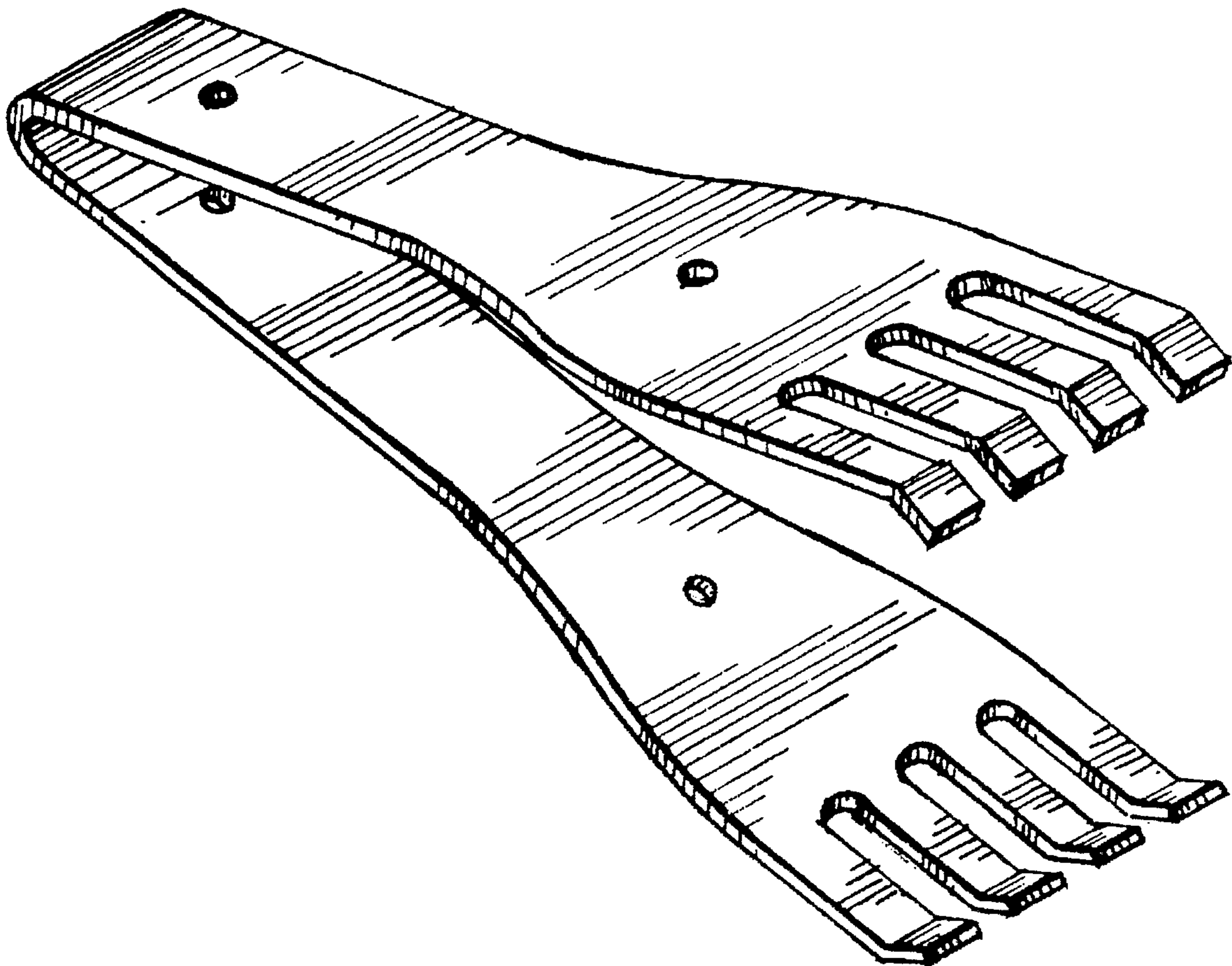


Fig. 1.

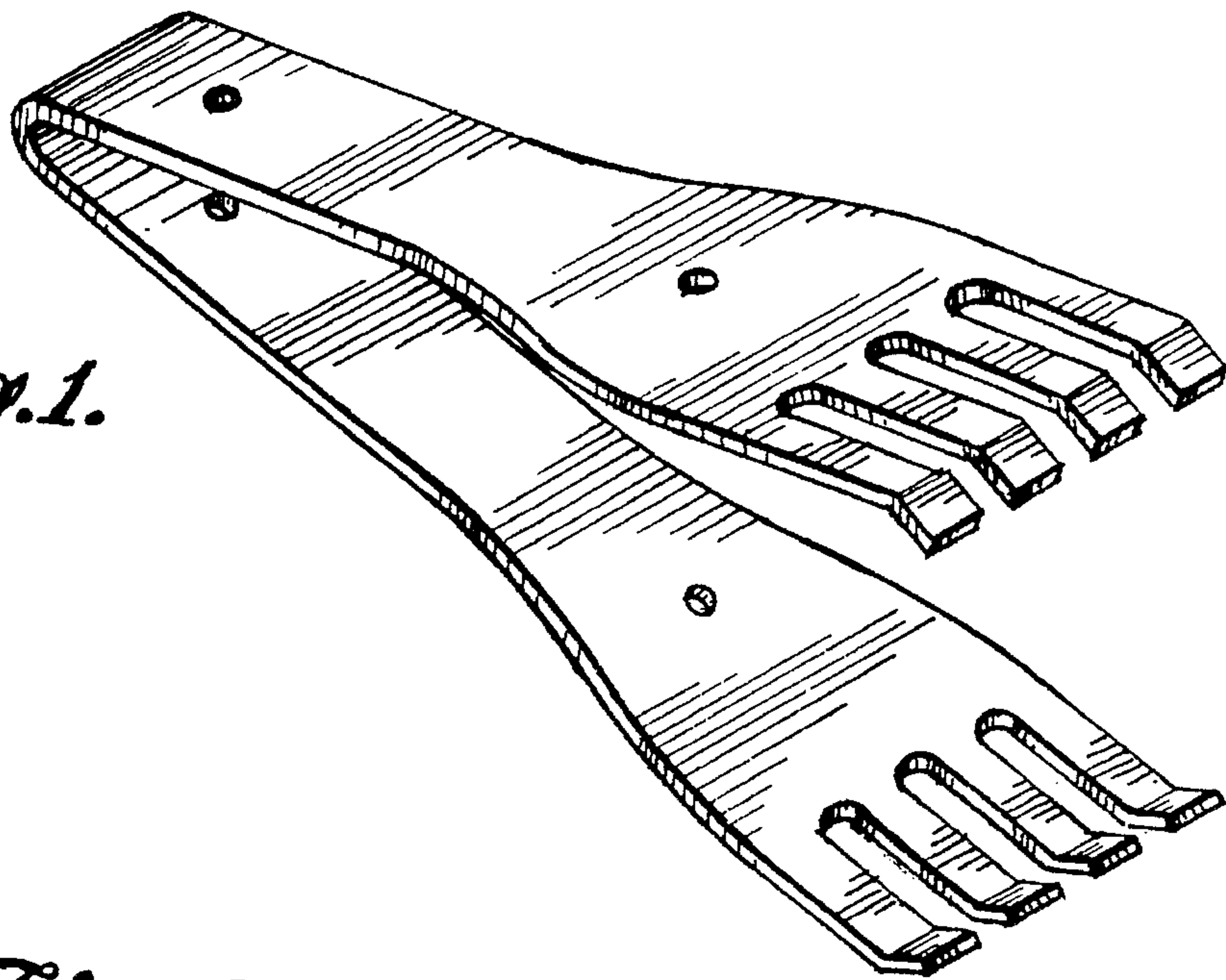


Fig. 2.

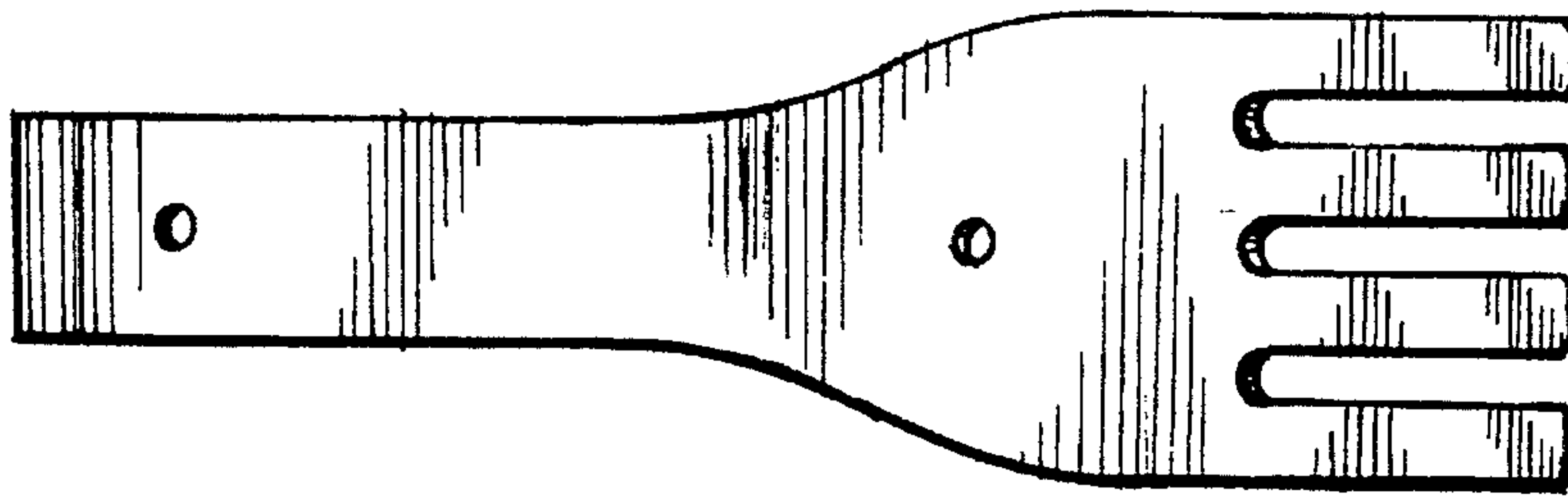


Fig. 3.

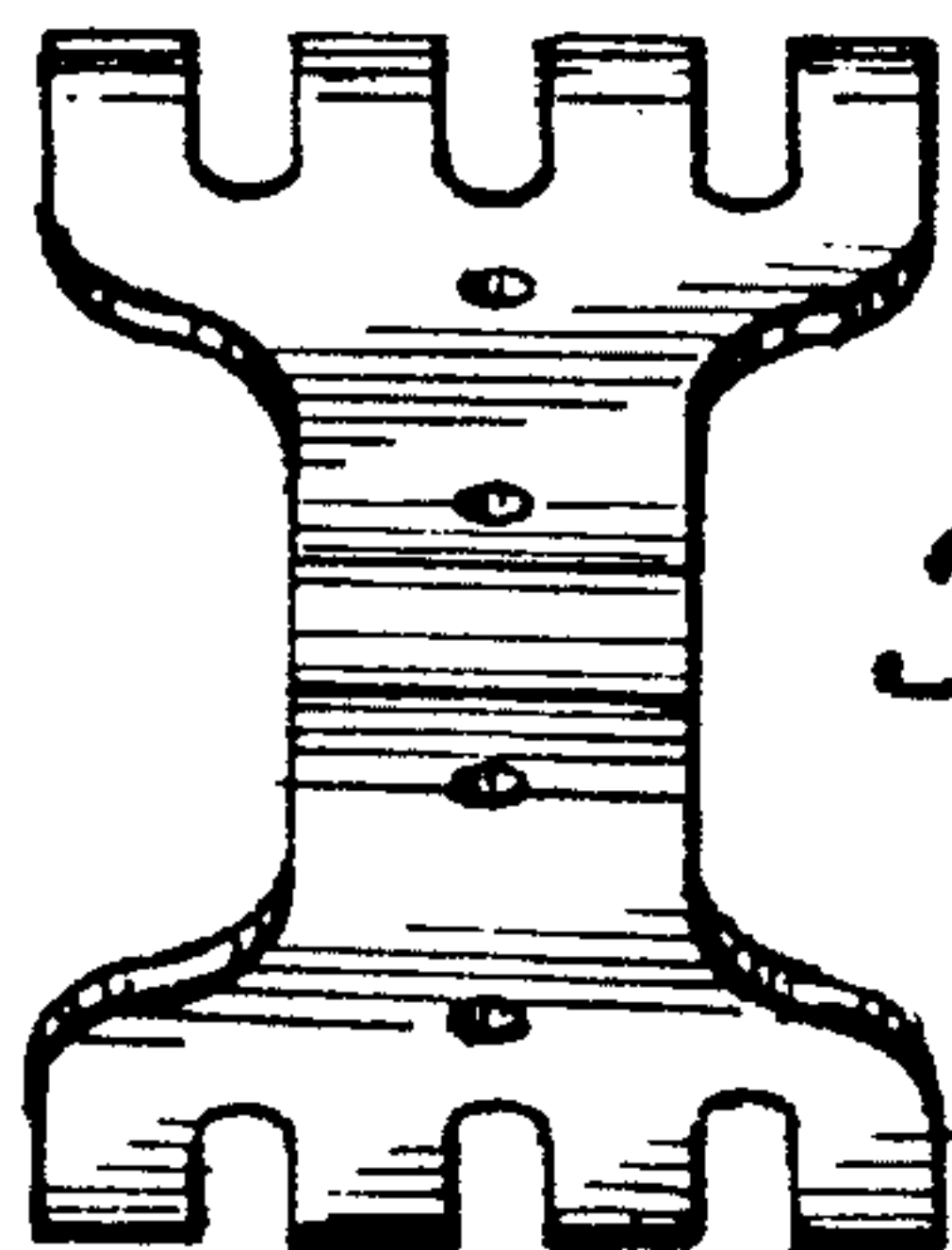
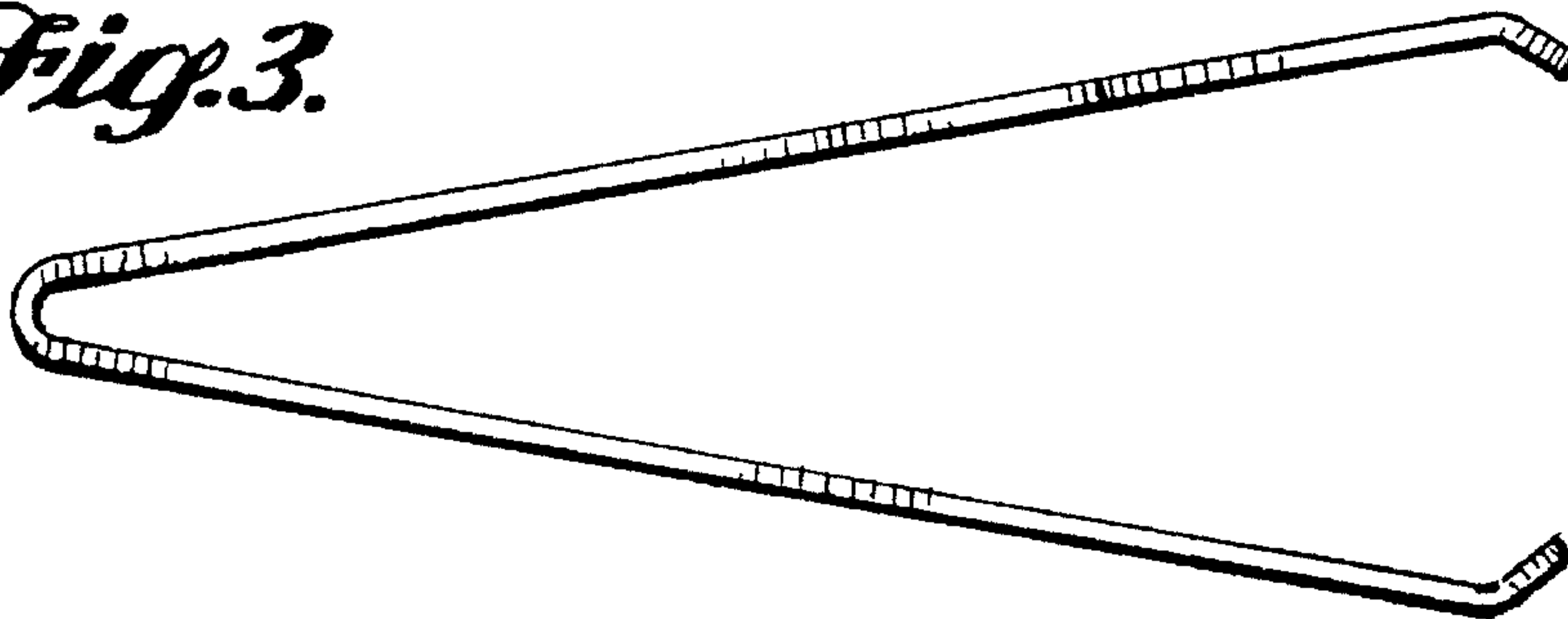


Fig. 4. Fig. 5.

