



US00D368629S

United States Patent [19]

[11] **Patent Number: Des. 368,629**

Verbovszky

[45] **Date of Patent: **Apr. 9, 1996**

[54] **FOOD CONTAINER**

5,086,926 2/1992 Paige et al. D7/608 X

[76] Inventor: **Esther J. Verbovszky**, 325 N. Falmouth Dr., Rocky River, Ohio 44116

Primary Examiner—Terry A. Wallace
Attorney, Agent, or Firm—Robert J. Fay

[**] Term: **14 Years**

[57] **CLAIM**

[21] Appl. No.: **31,470**

The ornamental design for the food container, as shown and described.

[22] Filed: **Nov. 28, 1994**

DESCRIPTION

[52] U.S. Cl. **D7/629; D7/608**

[58] **Field of Search** D7/605–608, 629; 206/541–550, 217; 220/4.27, 23.83, 411, 412; 215/228, 6, 11.6, DIG. 5, DIG. 6

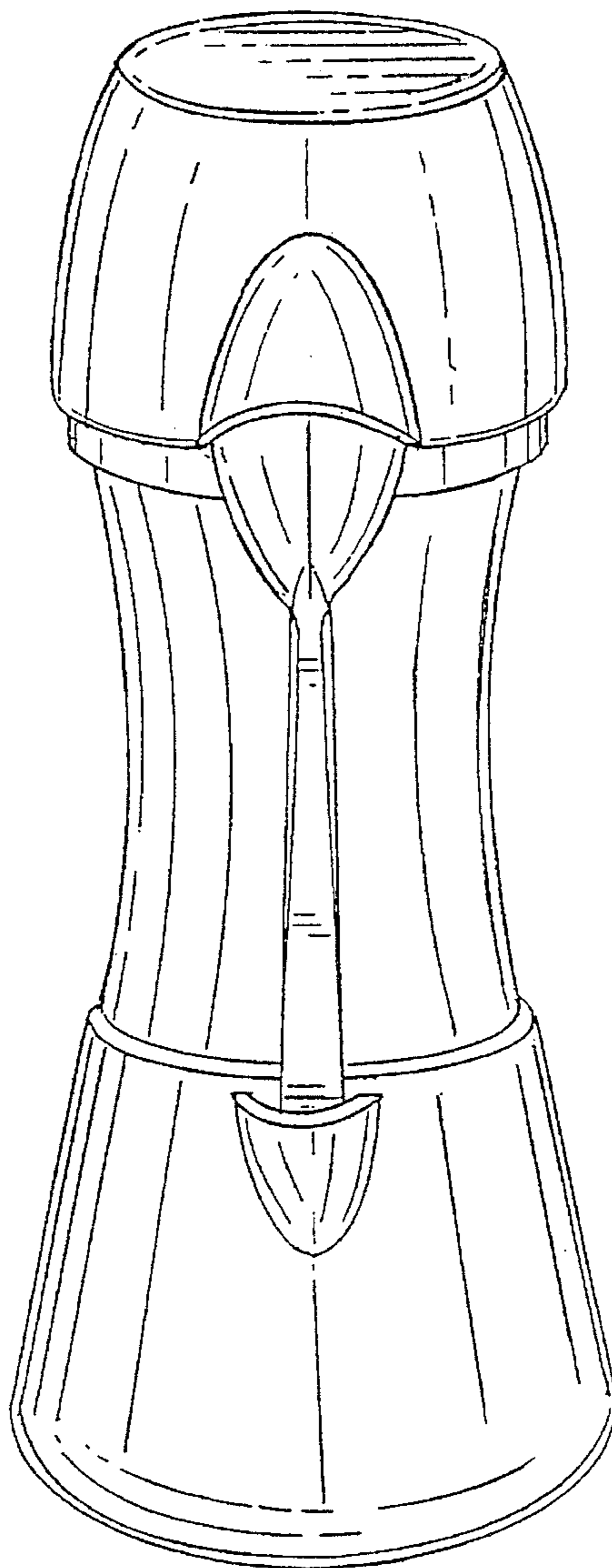
FIG. 1 is a front perspective view of the food container showing my new design;
FIG. 2 is a right side elevation view thereof, the opposite side being identical;
FIG. 3 is a top plan view thereof;
FIG. 4 is a rear elevation view thereof; and,
FIG. 5 is a bottom plan view thereof.

[56] **References Cited**

U.S. PATENT DOCUMENTS

D. 216,407 12/1969 Kull et al. D7/608
1,240,072 9/1917 Malden 215/6
3,127,984 4/1964 Hertzog 206/545

1 Claim, 2 Drawing Sheets



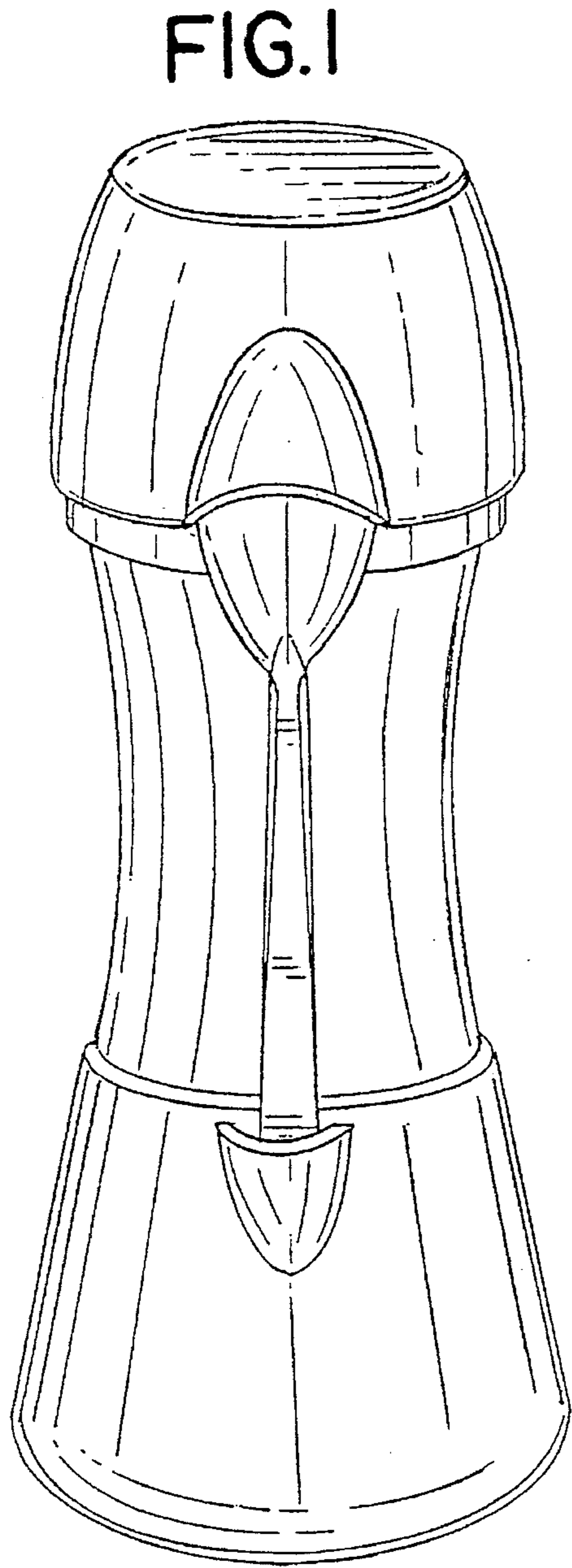


FIG. 3

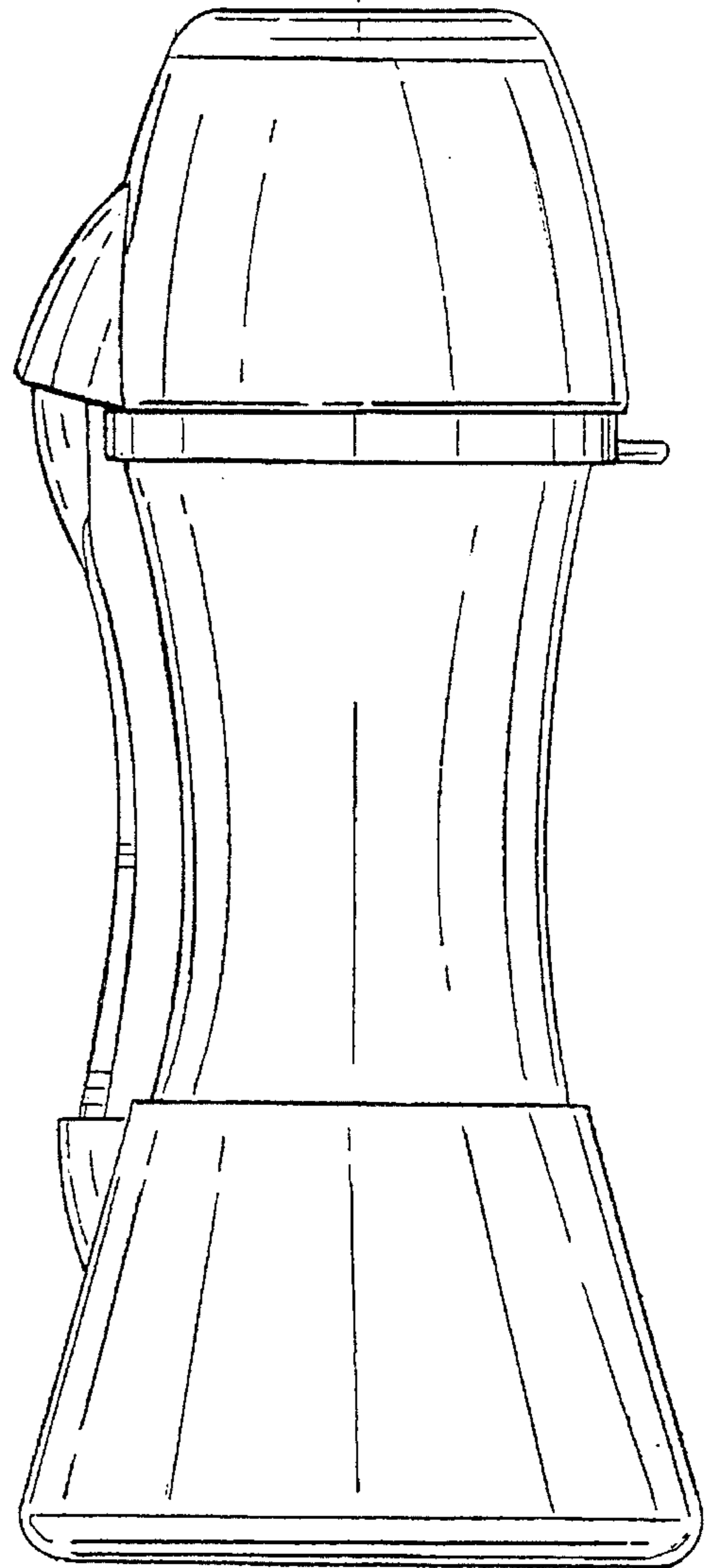
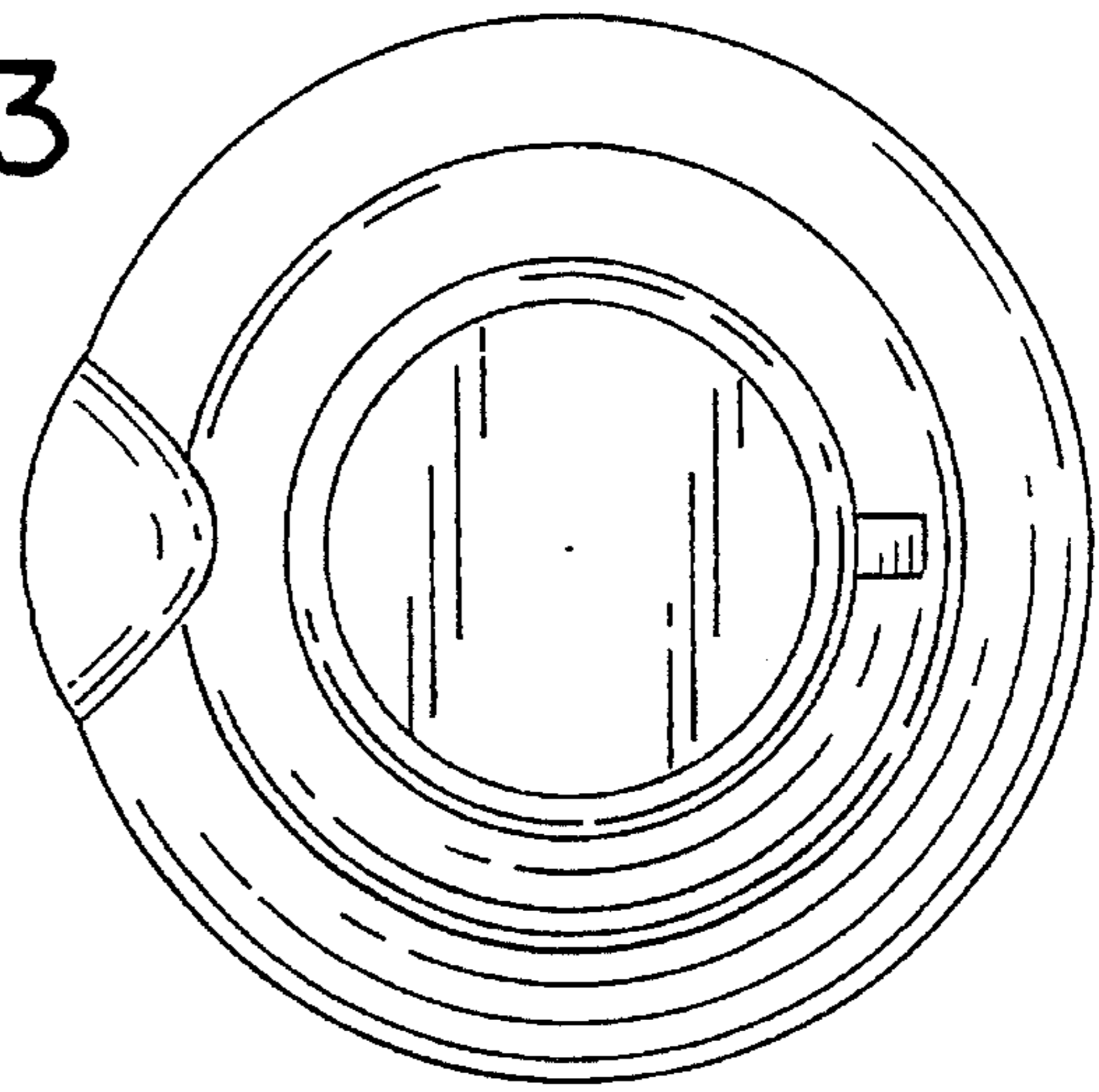


FIG. 2

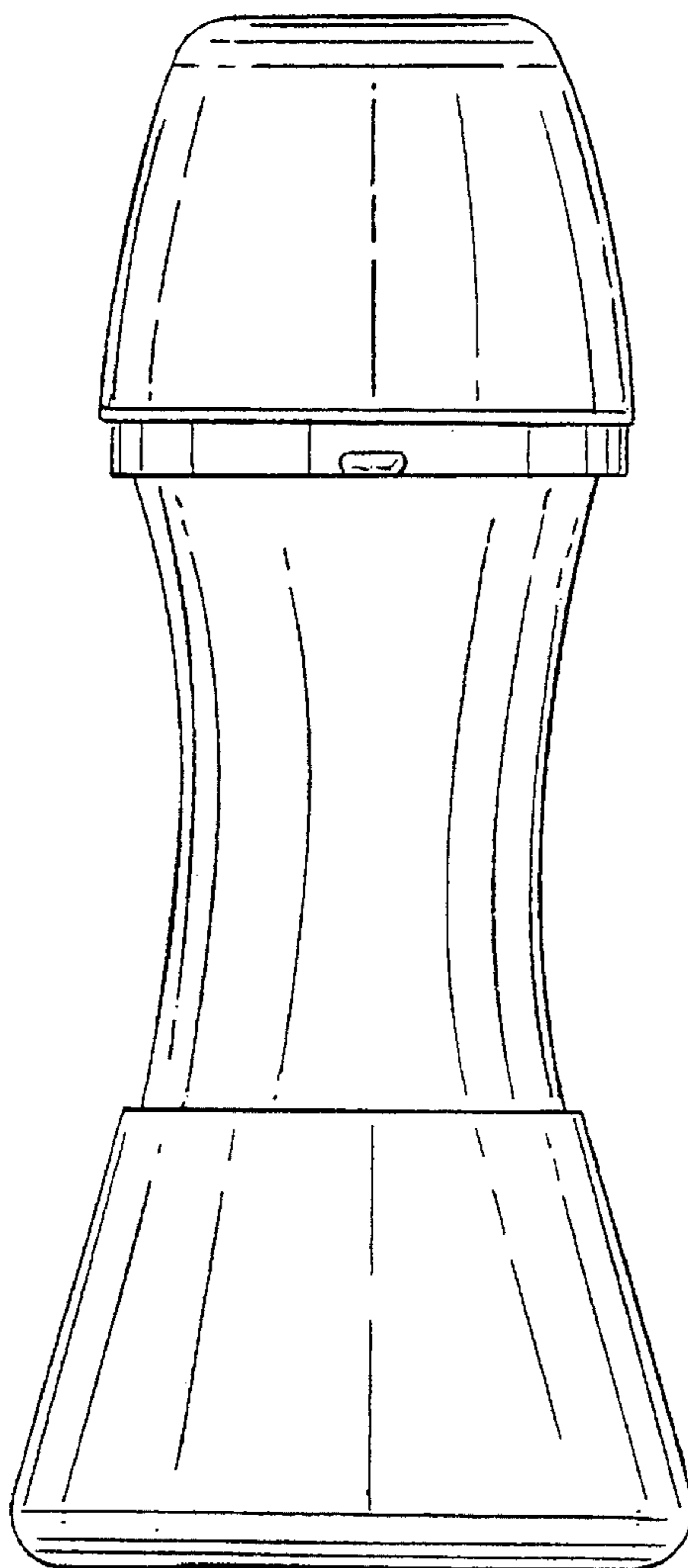


FIG. 4

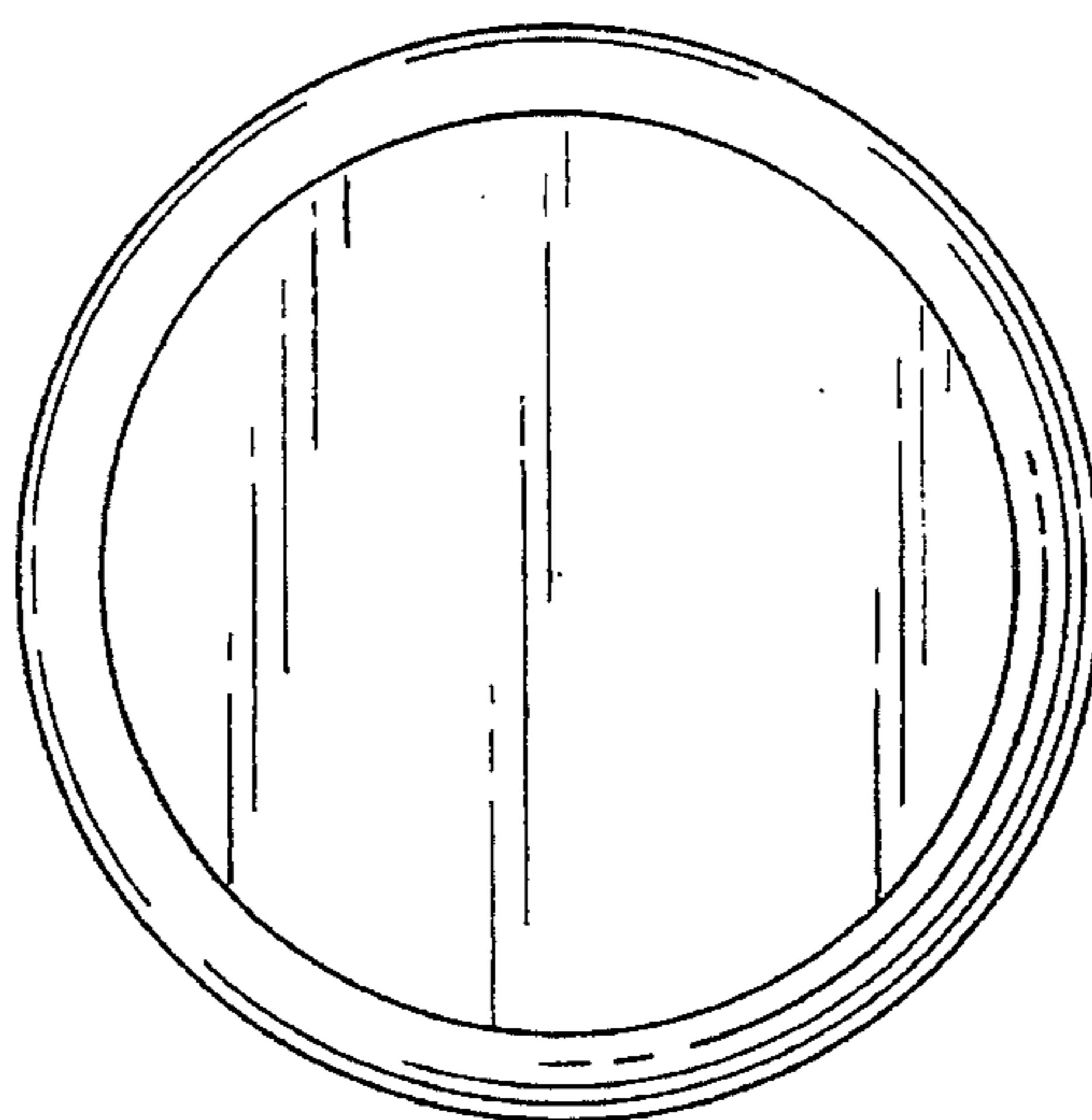


FIG. 5