



US00D368628S

United States Patent [19]
Bergin

[11] **Patent Number:** **Des. 368,628**
[45] **Date of Patent:** ****Apr. 9, 1996**

[54] **CONTAINER HOLDER**

[75] Inventor: **Peter W. A. Bergin**, Hopkins, Minn.

[73] Assignee: **MTS Northwest Sound, Inc.**,
Minneapolis, Minn.

[**] Term: **14 Years**

[21] Appl. No.: **34,727**

[22] Filed: **Feb. 10, 1995**

[52] **U.S. Cl.** **D7/620**

[58] **Field of Search** D7/619-625; D6/524,
D6/535, 553, 556, 567, 573; 211/71, 74,
75; 248/309.1, 310, 311.2, 312.1, 295.1;
297/188.01, 188.04, 188.06, 188.2

[56] **References Cited**

U.S. PATENT DOCUMENTS

D. 299,482 1/1989 Pearson D7/620
D. 344,876 3/1994 Vandergon D7/620
5,421,638 6/1995 Ayotte et al. 297/188.04

Primary Examiner—Terry A. Wallace
Attorney, Agent, or Firm—Westman, Champlin & Kelly

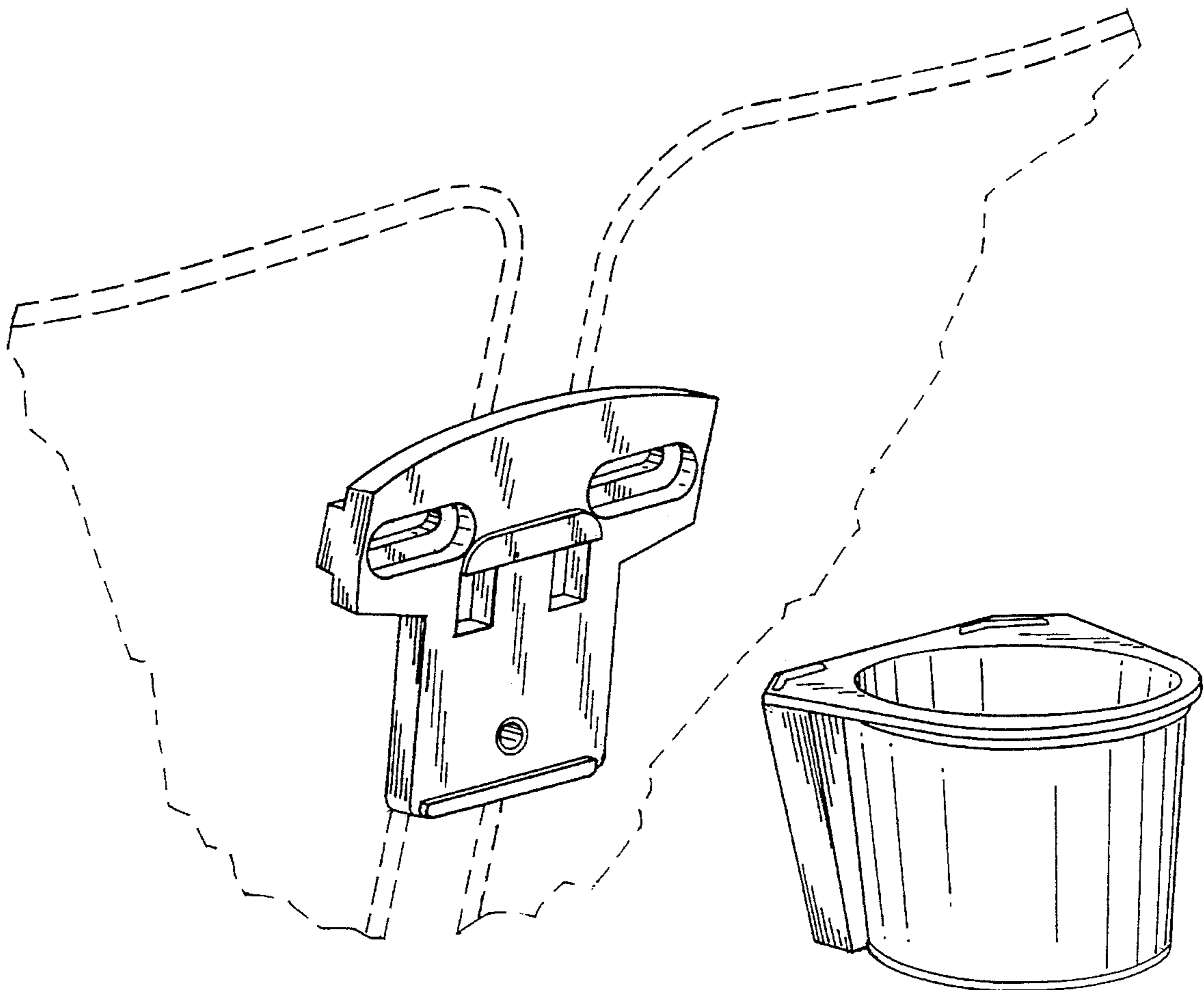
[57] **CLAIM**

The ornamental design for a container holder, as shown and described.

DESCRIPTION

FIG. 1 is a top perspective view of a container holder showing my new design;
FIG. 2 is a front elevational view thereof;
FIG. 3 is a top plan view thereof;
FIG. 4 is a side view thereof;
FIG. 5 is a bottom plan view thereof;
FIG. 6 is a side view thereof from a side opposite FIG. 4;
FIG. 7 is a rear view thereof;
FIG. 8 is a vertical sectional view thereof; and,
FIG. 9 is an exploded perspective view thereof, the chair backs shown in broken lines for clarity of illustration and forming no part of the claimed design.

1 Claim, 6 Drawing Sheets



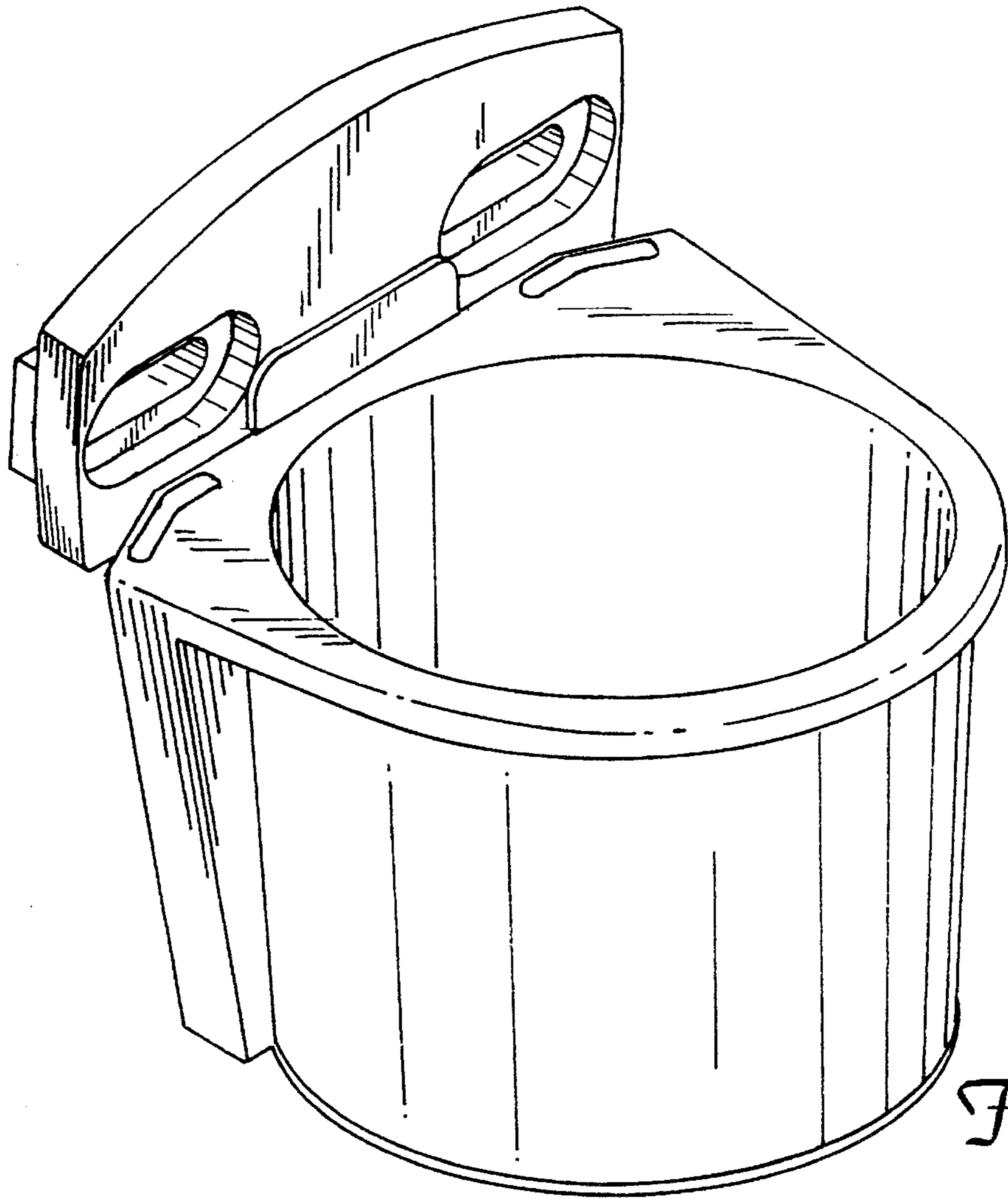


Fig. 1

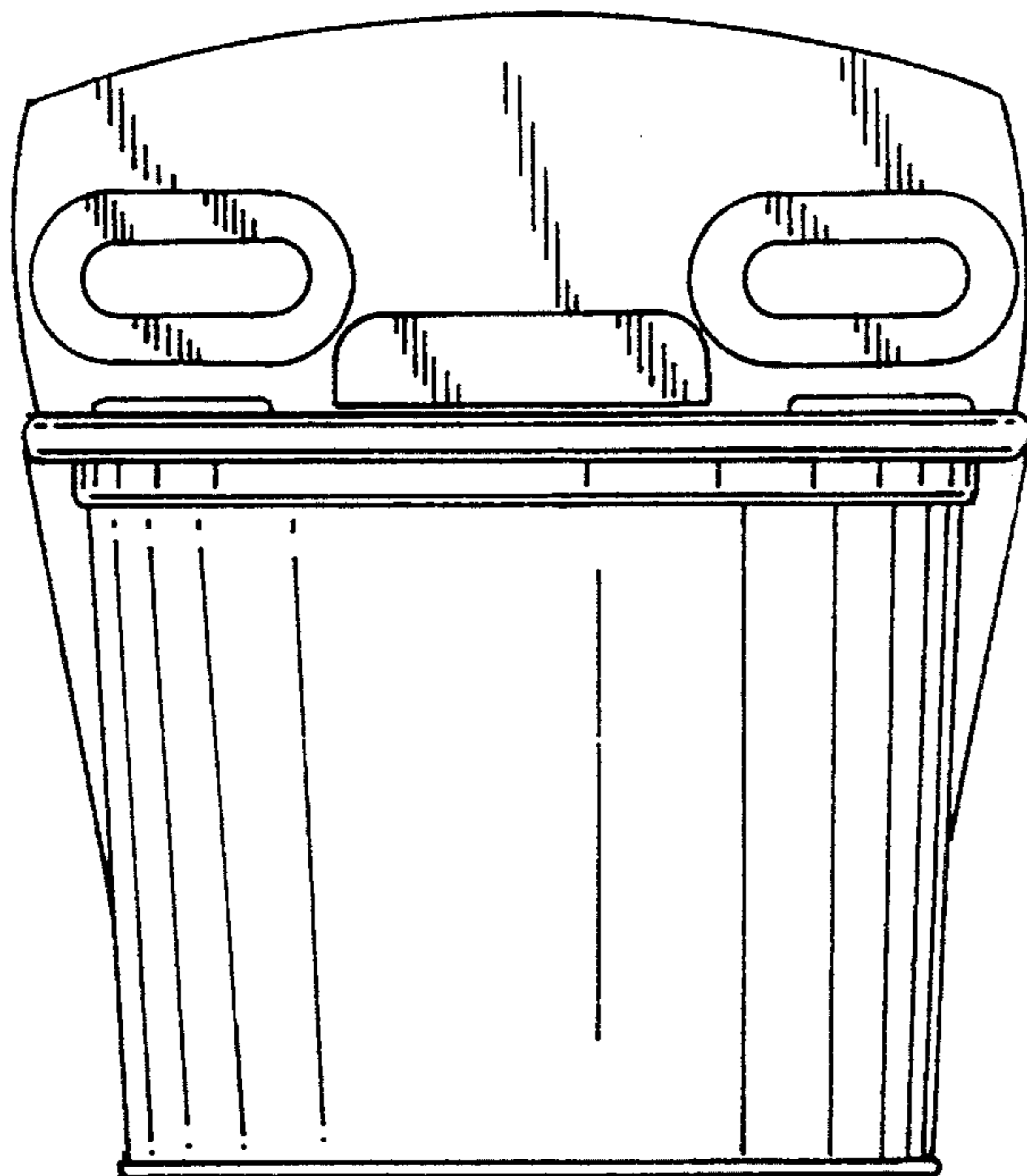


Fig. 2

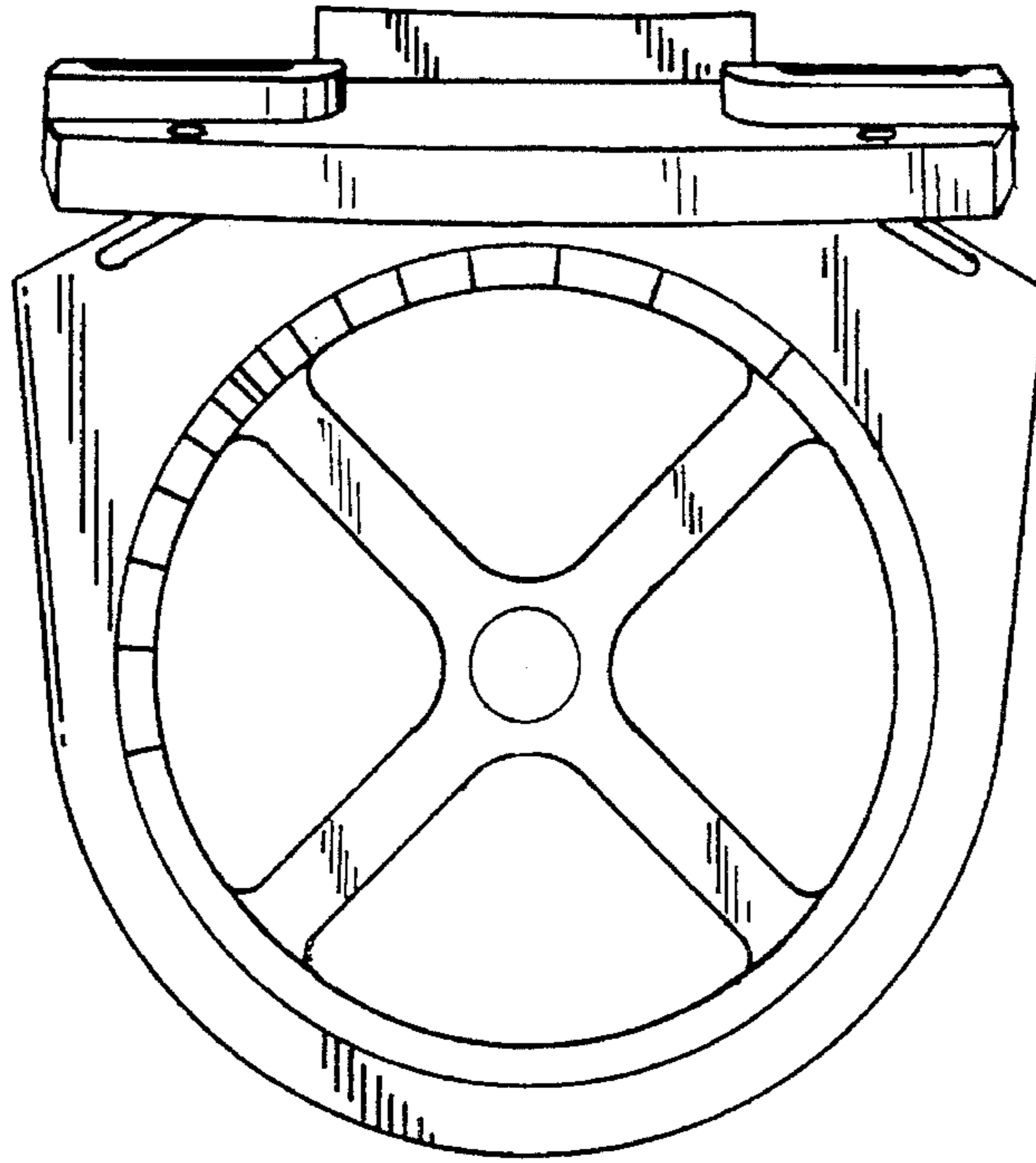


Fig. 3

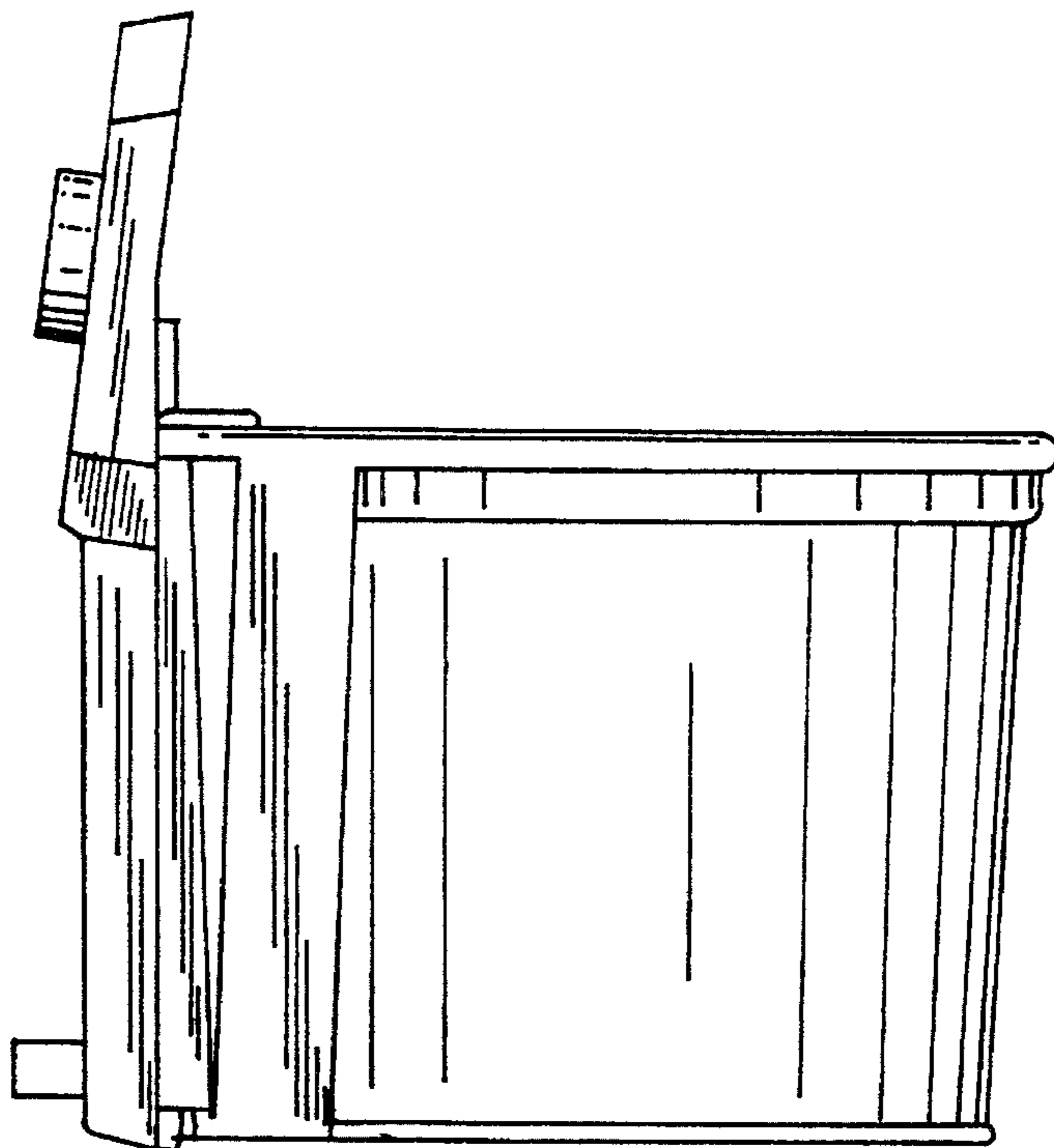


Fig. 4

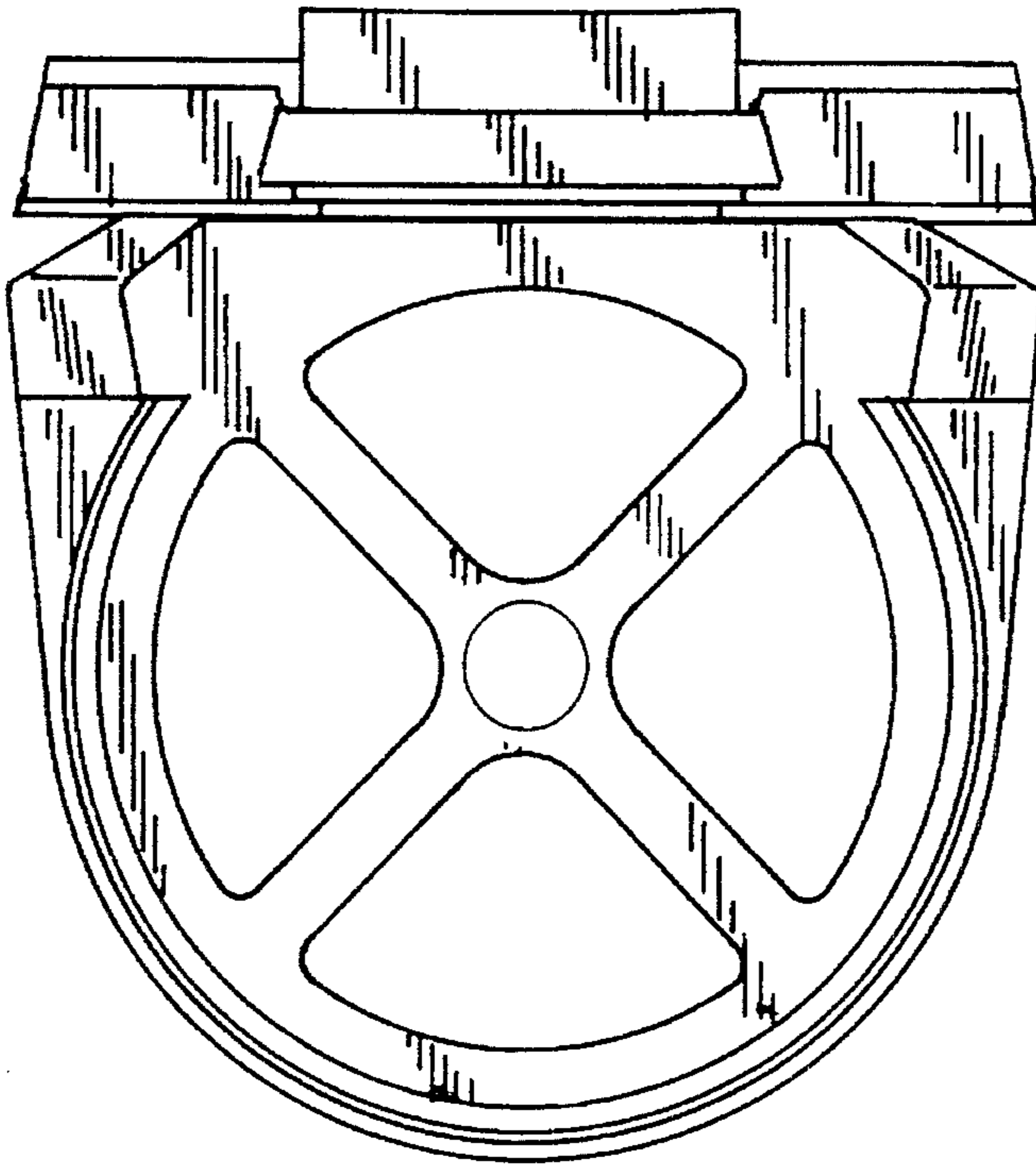


Fig. 5

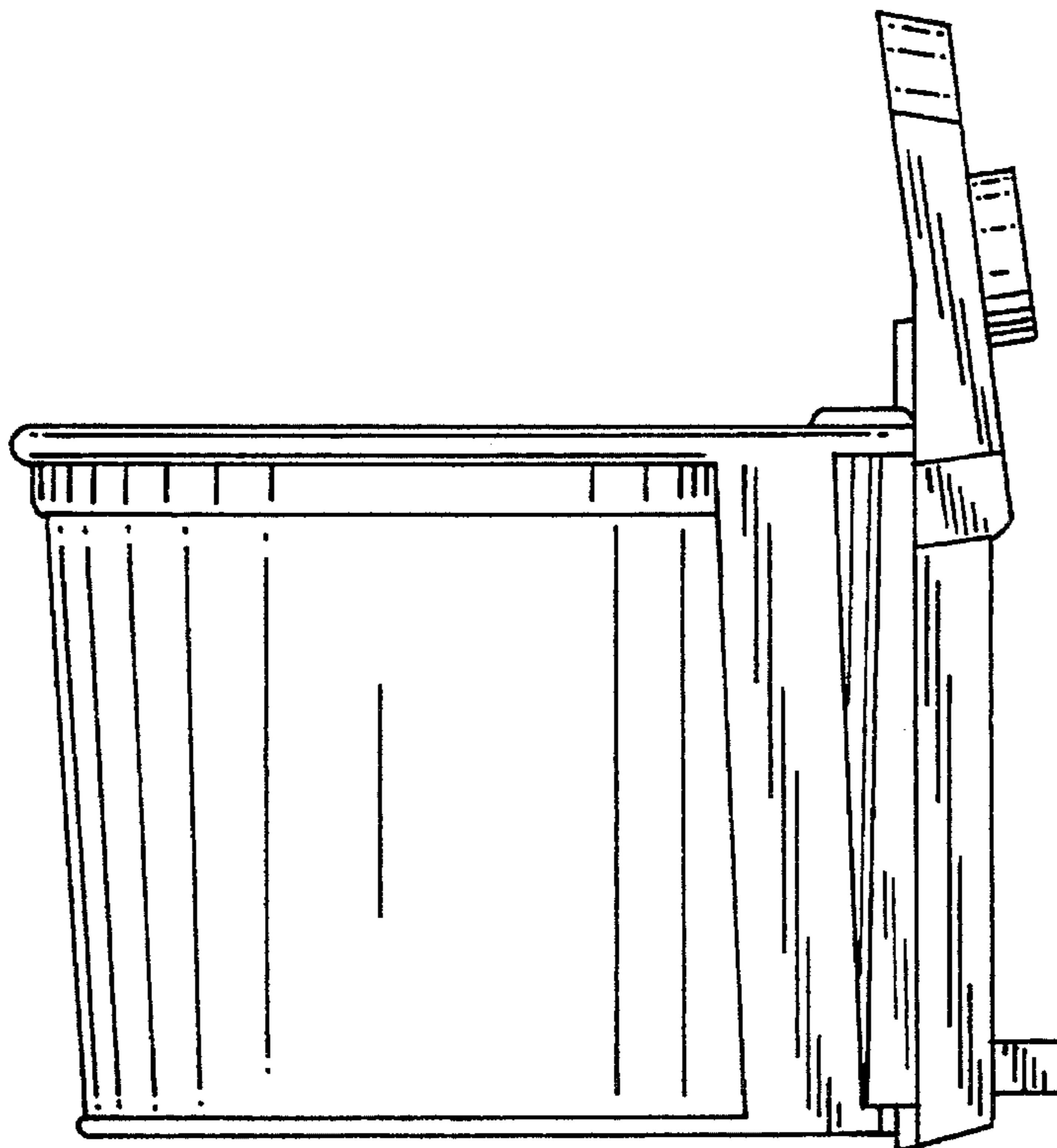


Fig. 6

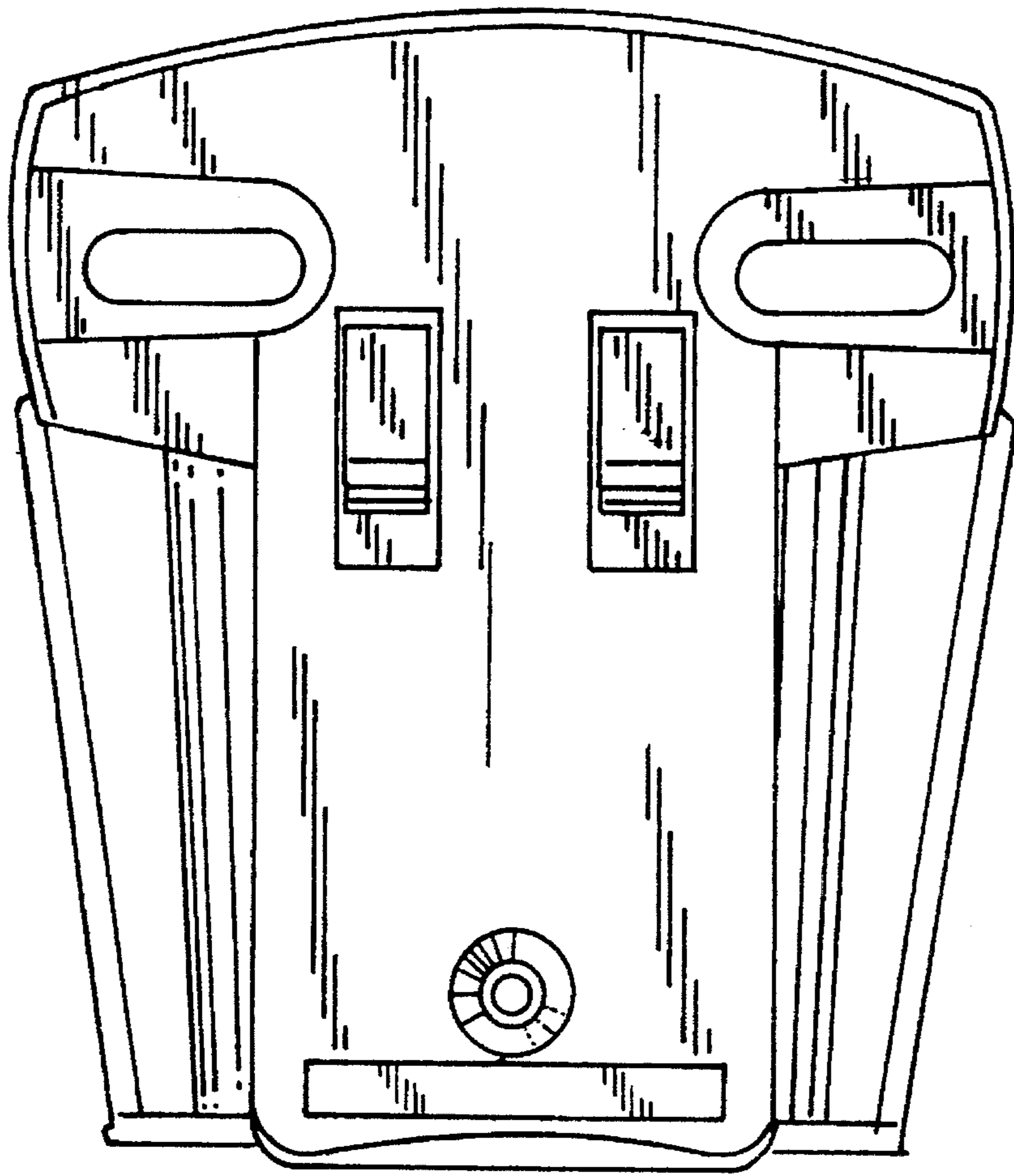


Fig. 7

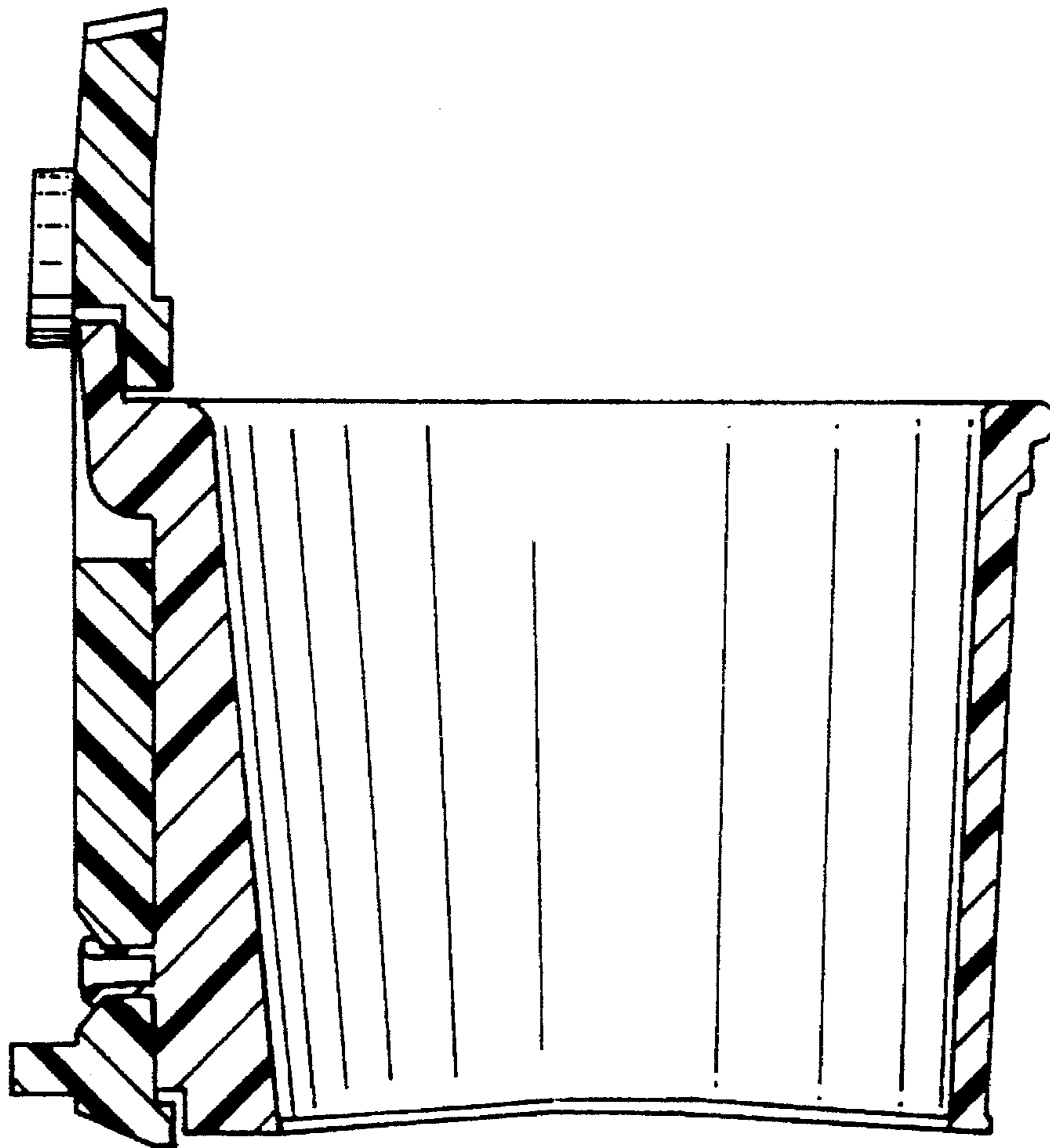


Fig. 8

