



US00D368626S

**United States Patent** [19]  
**Hentz**

[11] **Patent Number:** **Des. 368,626**  
[45] **Date of Patent:** **\*\*Apr. 9, 1996**

[54] **CONTAINER**

[76] **Inventor:** **Ned Hentz**, 18 Draper Rd., Dover,  
Mass. 02030

[\*\*] **Term:** **14 Years**

[21] **Appl. No.:** **31,463**

[22] **Filed:** **Nov. 28, 1994**

[52] **U.S. Cl.** ..... **D7/538; D7/539; D7/360**

[58] **Field of Search** ..... **D7/538, 542, 543,**  
**D7/544, 545, 546, 548, 549, 550, 551,**  
**552, 553, 502, 554, 555, 556, 557, 701,**  
**360, 354; 220/578, 23.8, 914; 206/561,**  
**564, 557; D9/428, 432, 433**

[56] **References Cited**

**U.S. PATENT DOCUMENTS**

D. 22,155	1/1893	Haynes	.....	D7/538
D. 37,792	1/1906	Johnson	.....	D7/538
D. 38,873	11/1907	Meakin	.....	D7/542
D. 137,961	5/1944	Kapner et al.	.....	D7/538
D. 221,096	7/1971	Tevolitz	.....	D7/360
D. 235,497	6/1975	Cyren	.....	D7/360
D. 272,971	3/1984	Tallon	.....	D7/538
D. 301,819	6/1989	Watson	.....	D9/428 X
D. 308,340	6/1990	Ilsen et al.	.....	D9/432 X
D. 326,797	6/1992	Pomroy et al.	.....	D7/538
4,852,760	8/1989	Sarnoff et al.	.....	D7/388 X

*Primary Examiner*—Alan P. Douglas  
*Assistant Examiner*—M. N. Pandozzi  
*Attorney, Agent, or Firm*—Brooks & Kushman

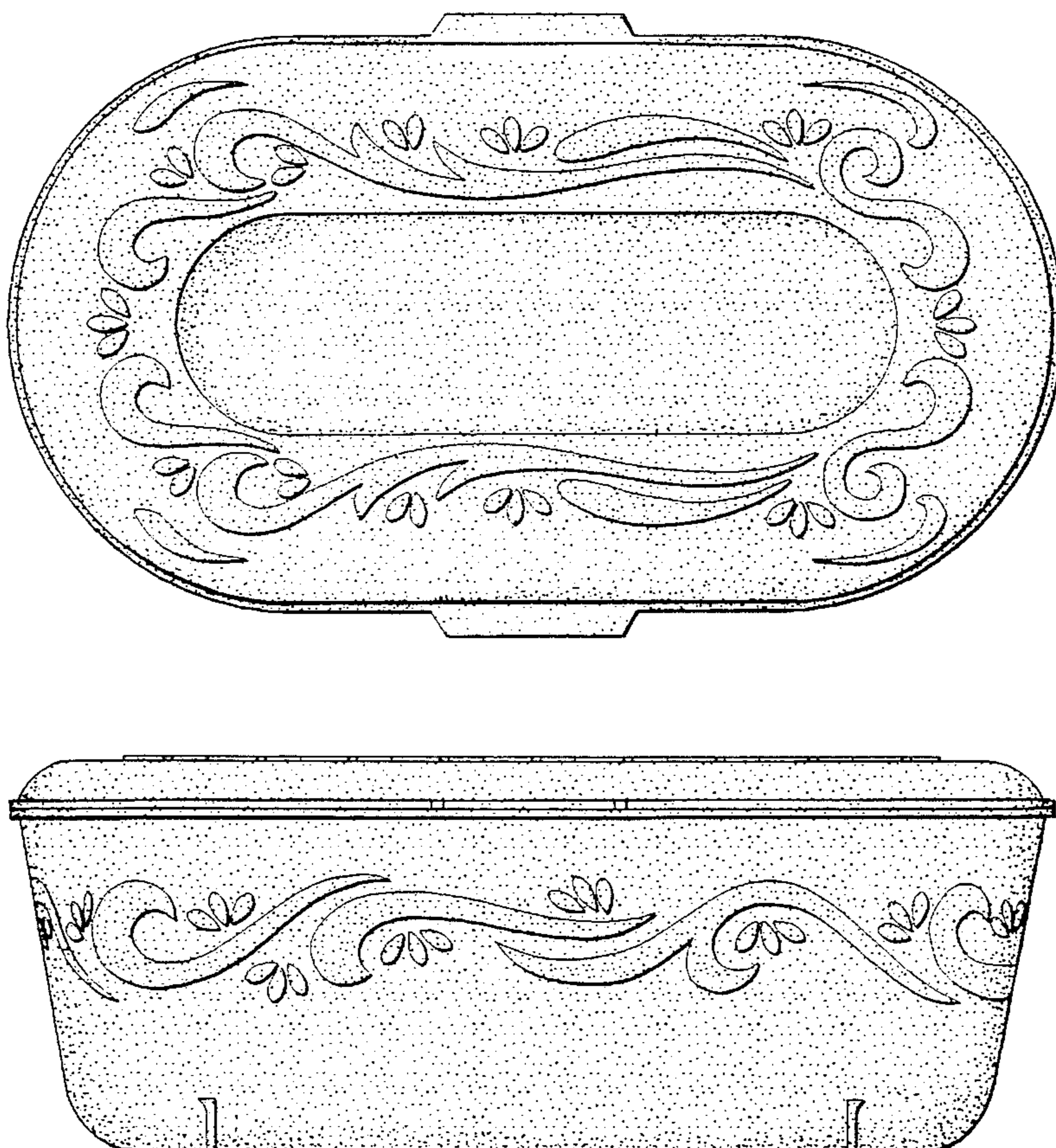
[57] **CLAIM**

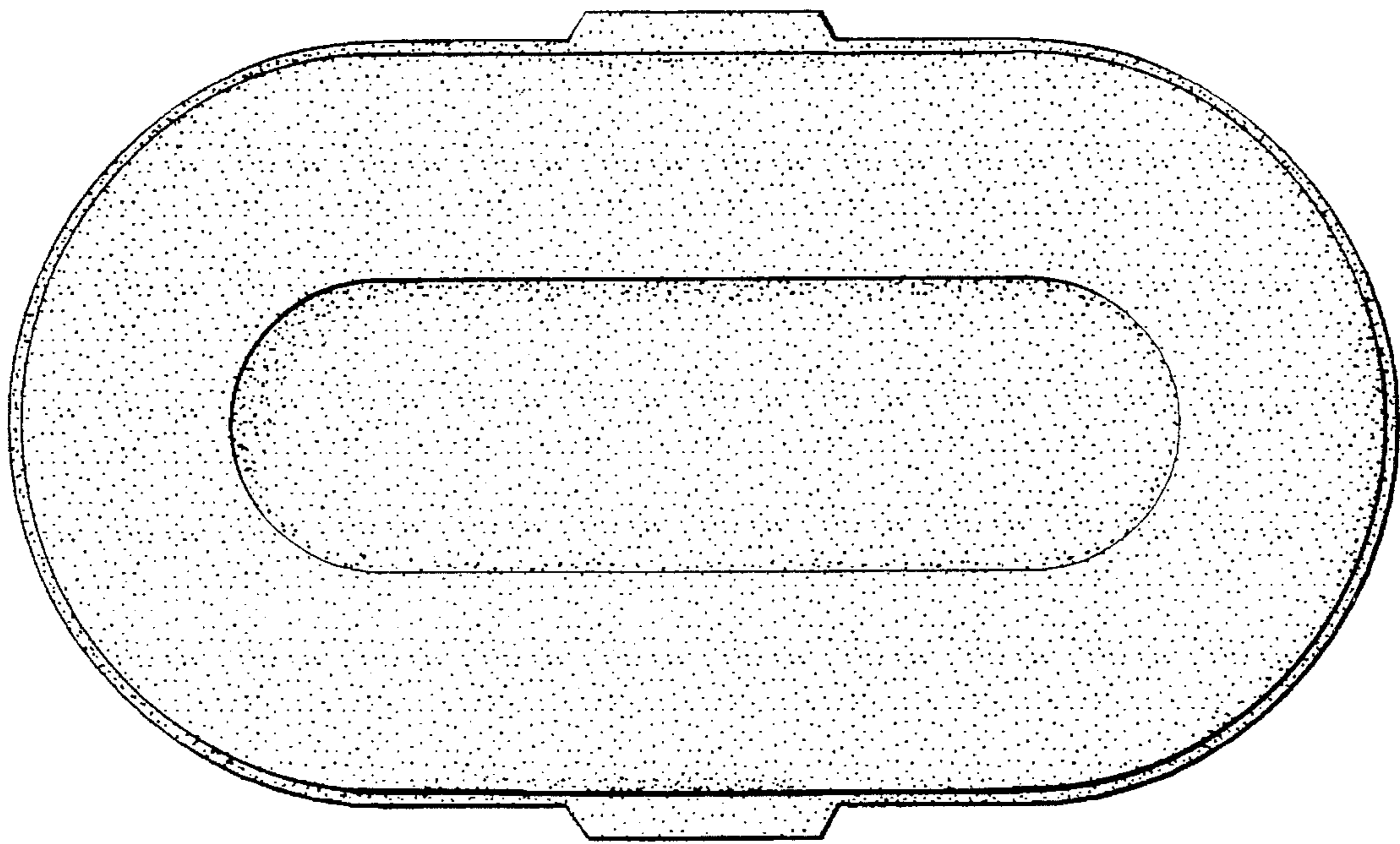
The ornamental design for a container, as shown and described.

**DESCRIPTION**

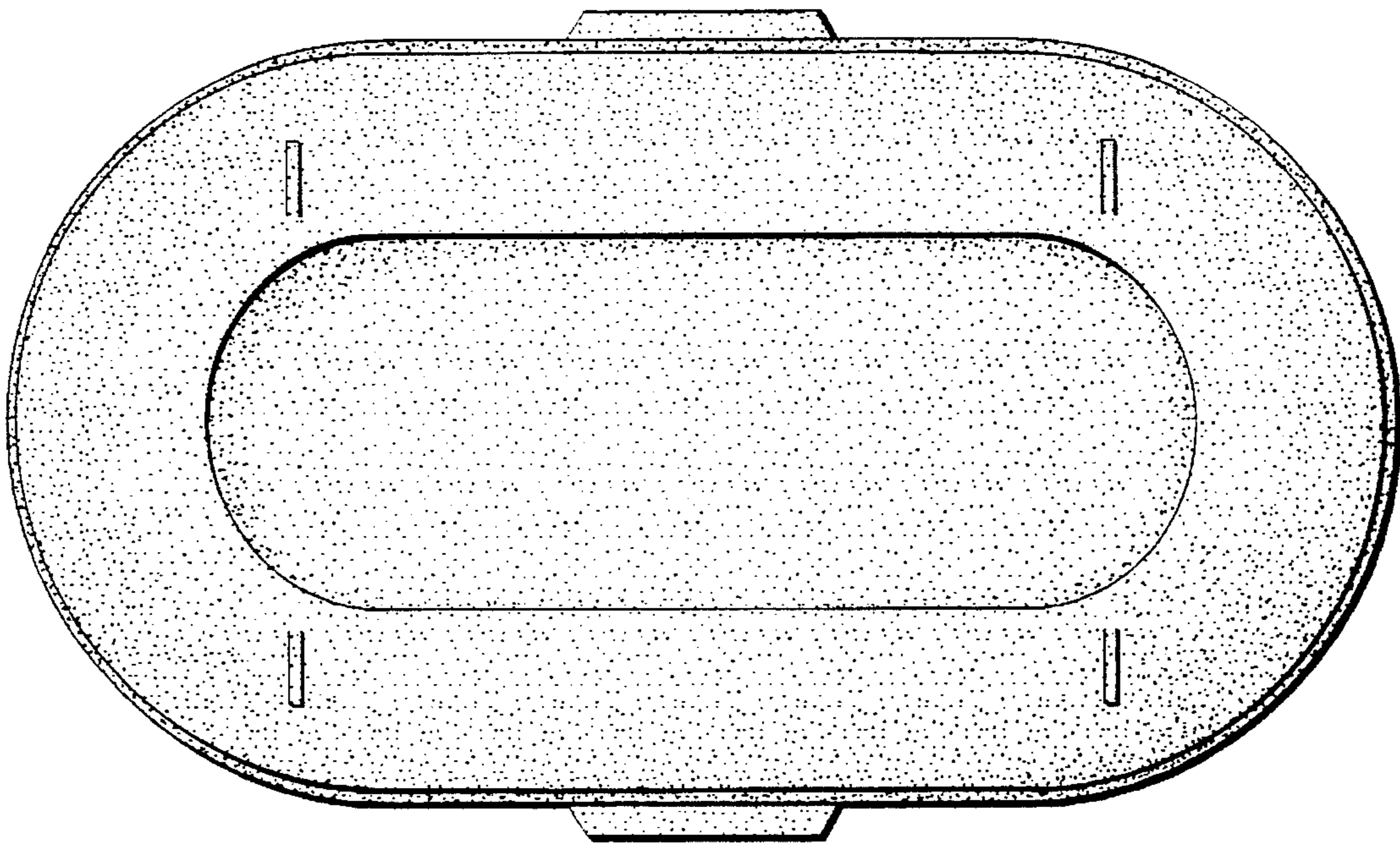
FIG. 1 is a top plan view of the container;  
FIG. 2 is a bottom plan view thereof;  
FIG. 3 is a front view thereof;  
FIG. 4 is a rear view thereof;  
FIG. 5 is an end view thereof;  
FIG. 6 is an end view opposite that shown in FIG. 5;  
FIG. 7 is a top plan view of a container showing a second embodiment of my new design;  
FIG. 8 is a bottom plan view of the embodiment of the container shown in FIG. 7;  
FIG. 9 is a front view of the embodiment of the container shown in FIG. 7;  
FIG. 10 is a rear view of the embodiment of the container shown in FIG. 7;  
FIG. 11 is an end view of the embodiment of the container shown in FIG. 7; and,  
FIG. 12 is an end view opposite that shown in FIG. 11.

**1 Claim, 4 Drawing Sheets**

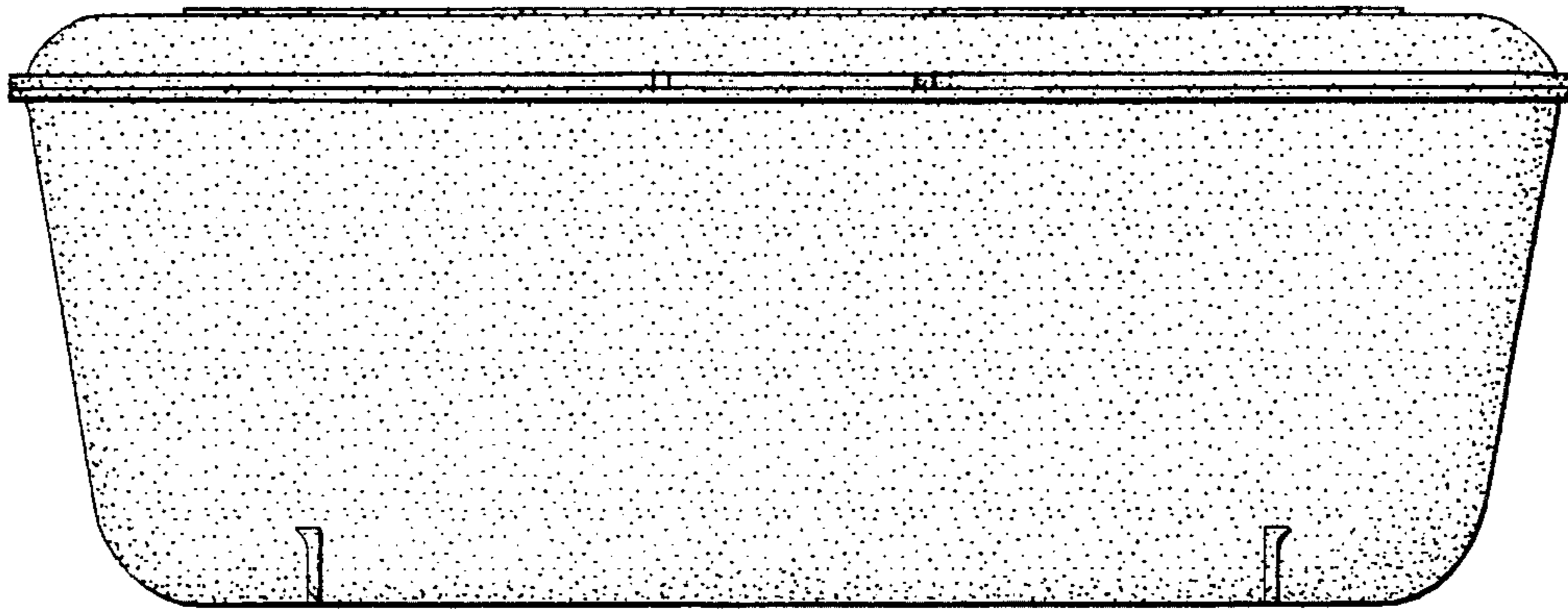




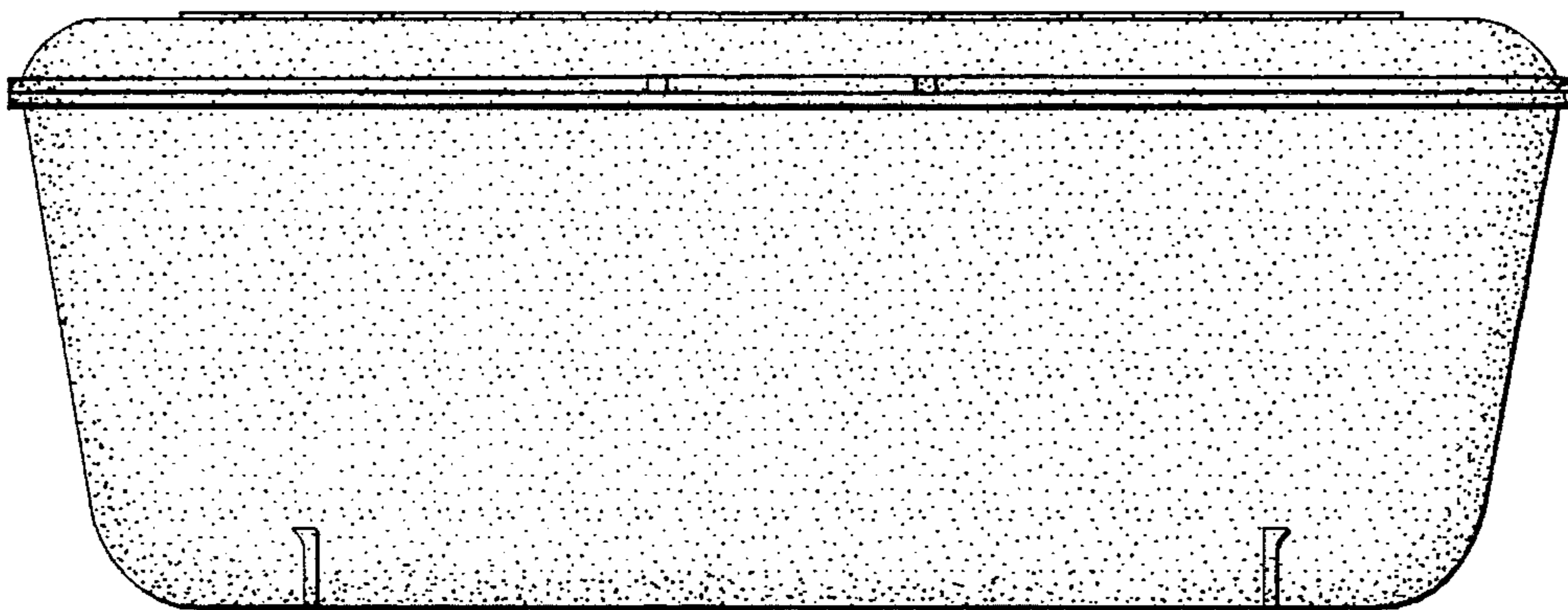
*Fig. 1*



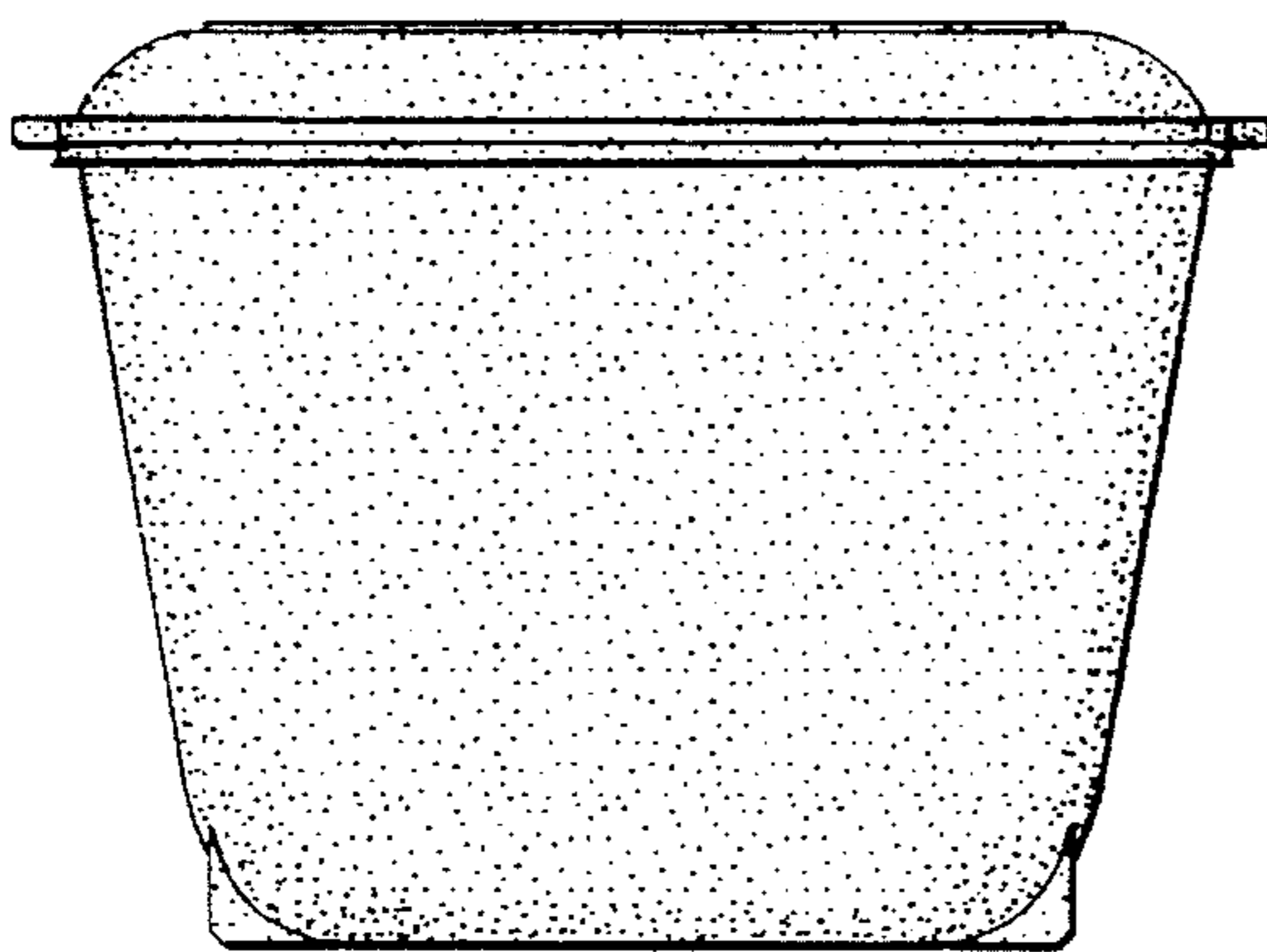
*Fig. 2*



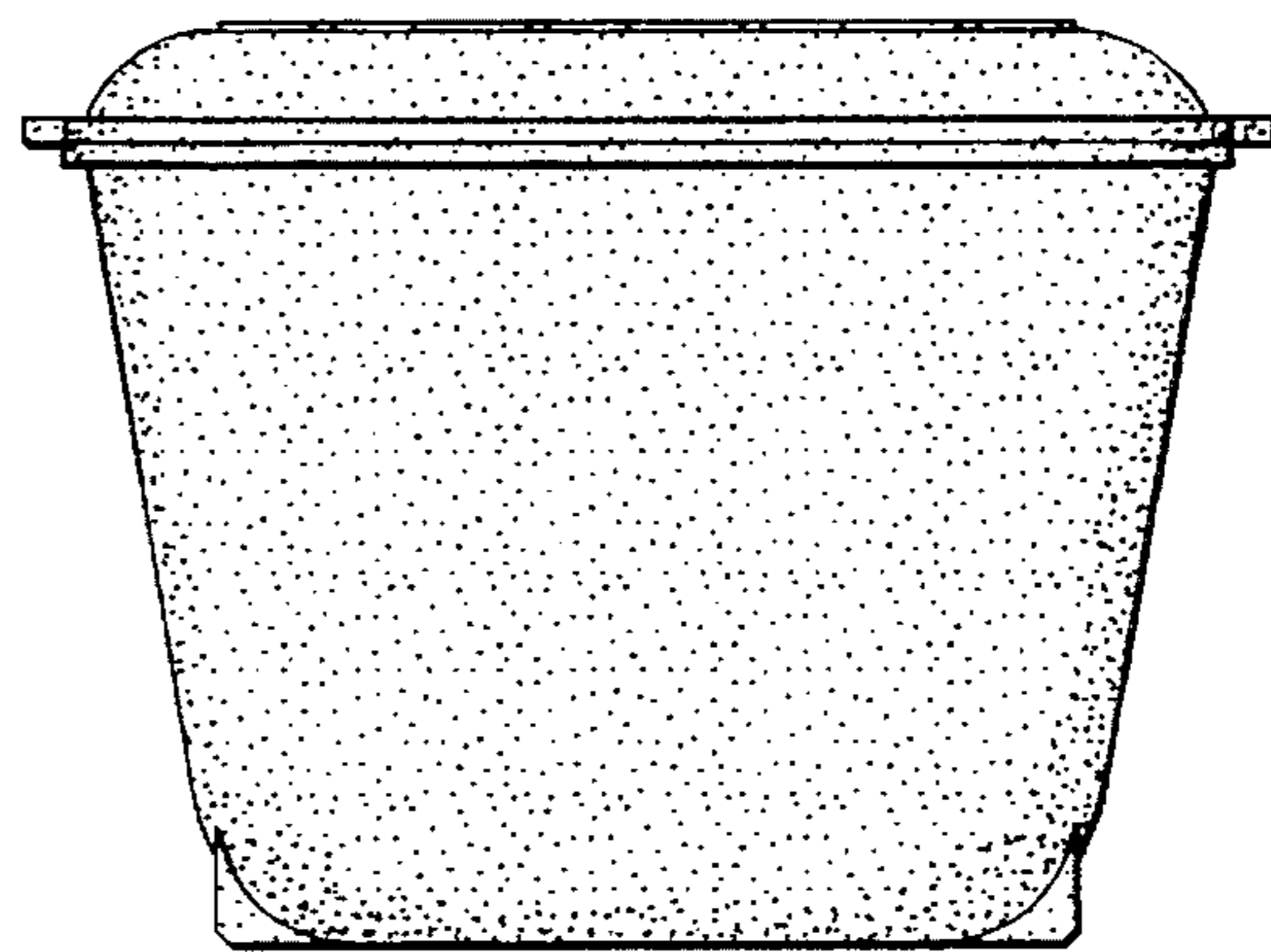
*Fig. 3*



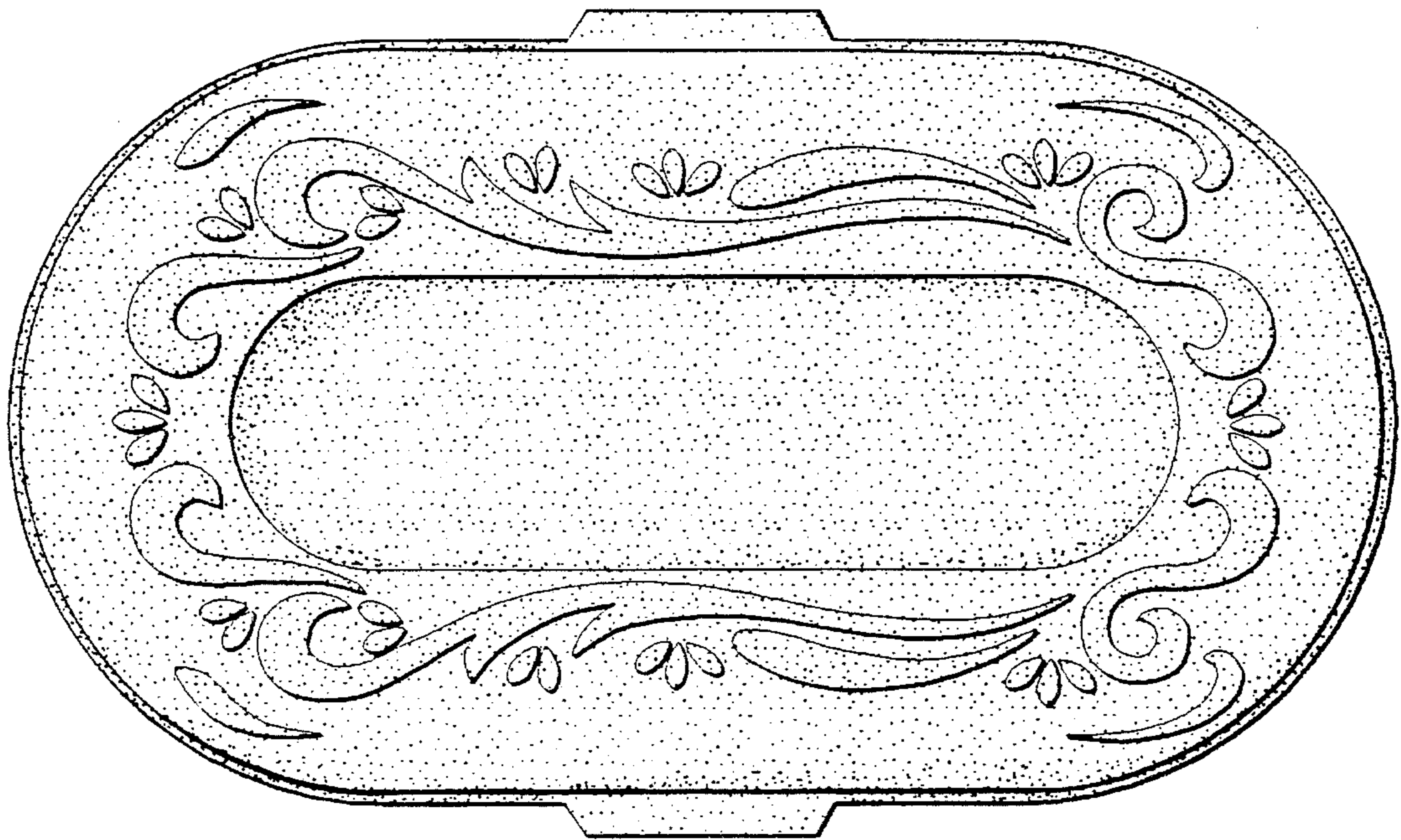
*Fig. 4*



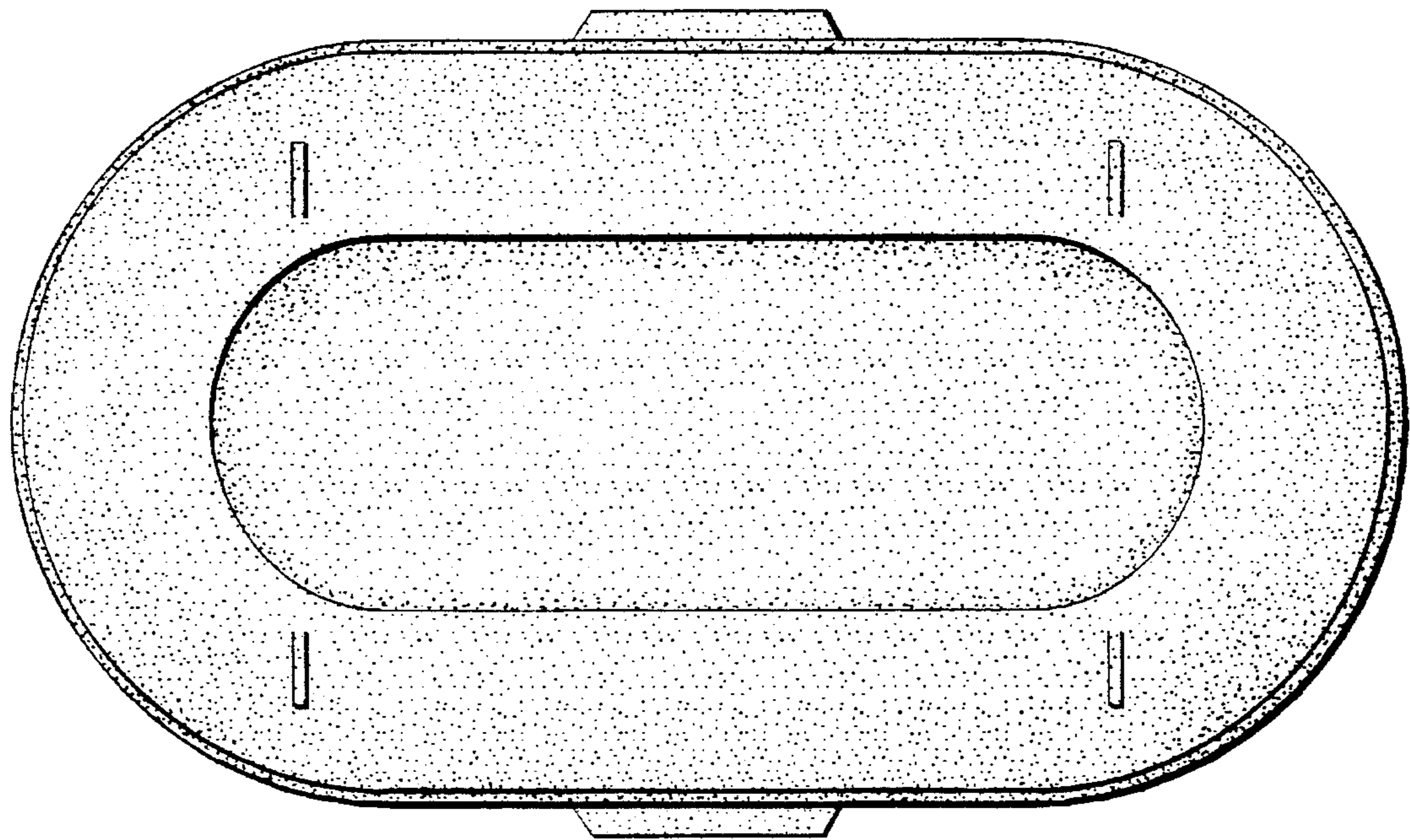
*Fig. 5*



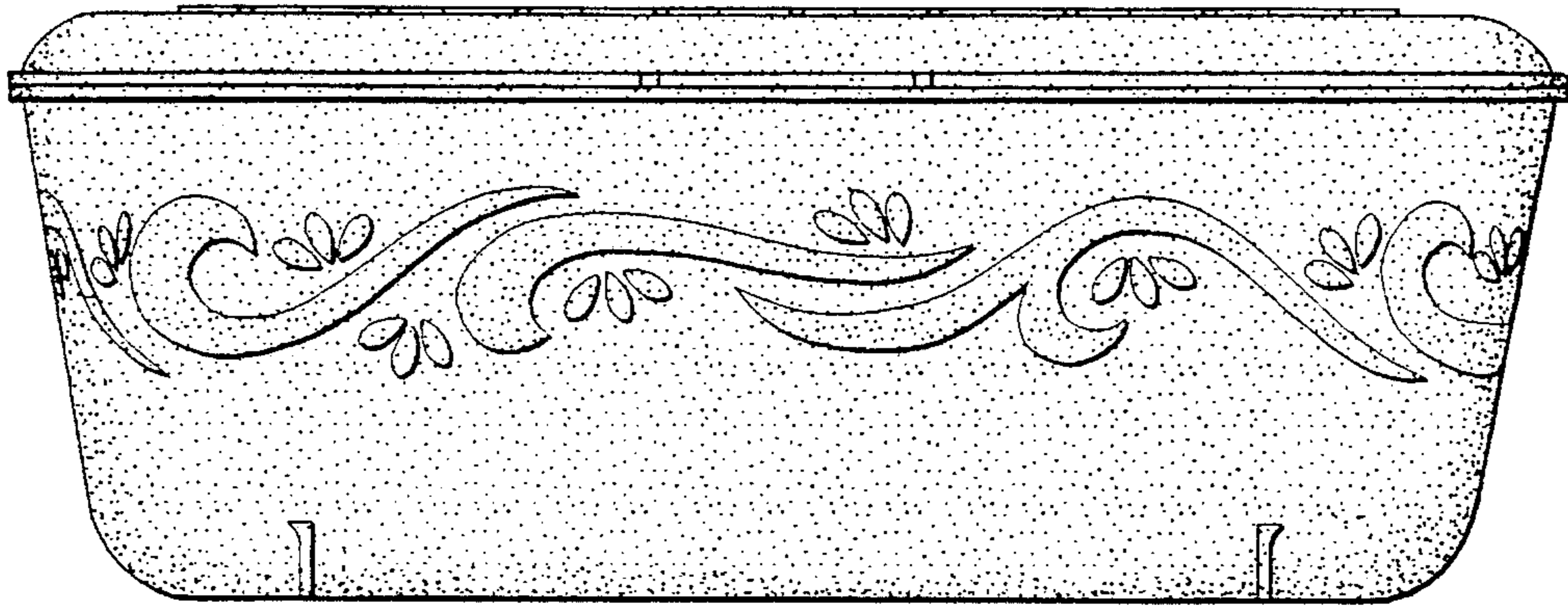
*Fig. 6*



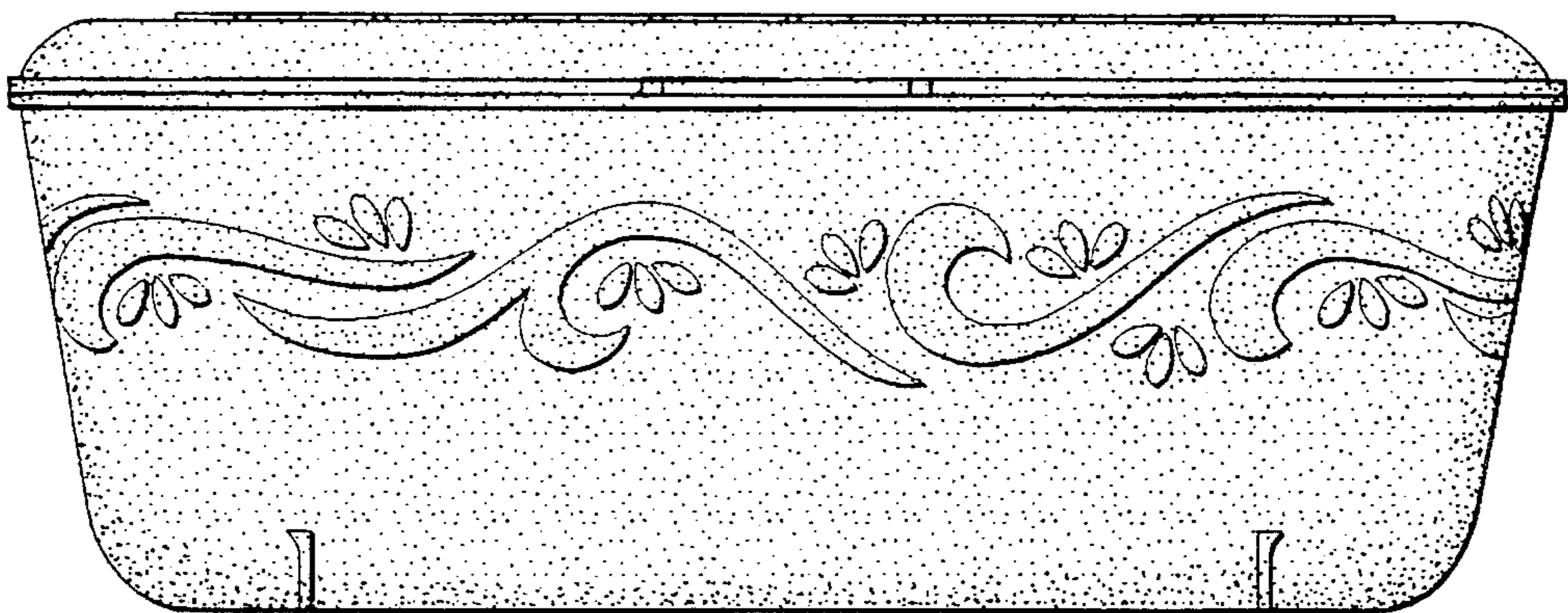
*Fig. 7*



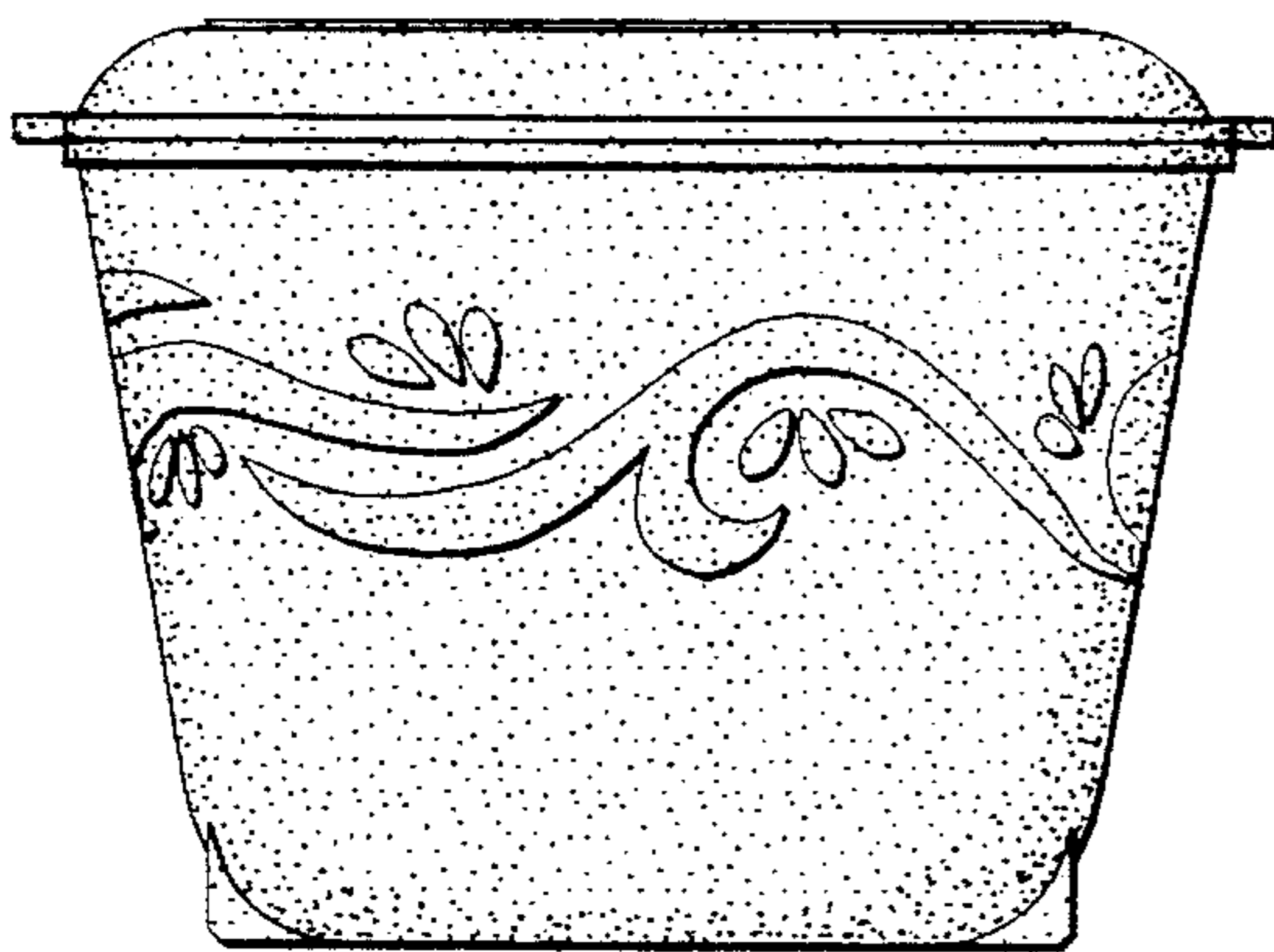
*Fig. 8*



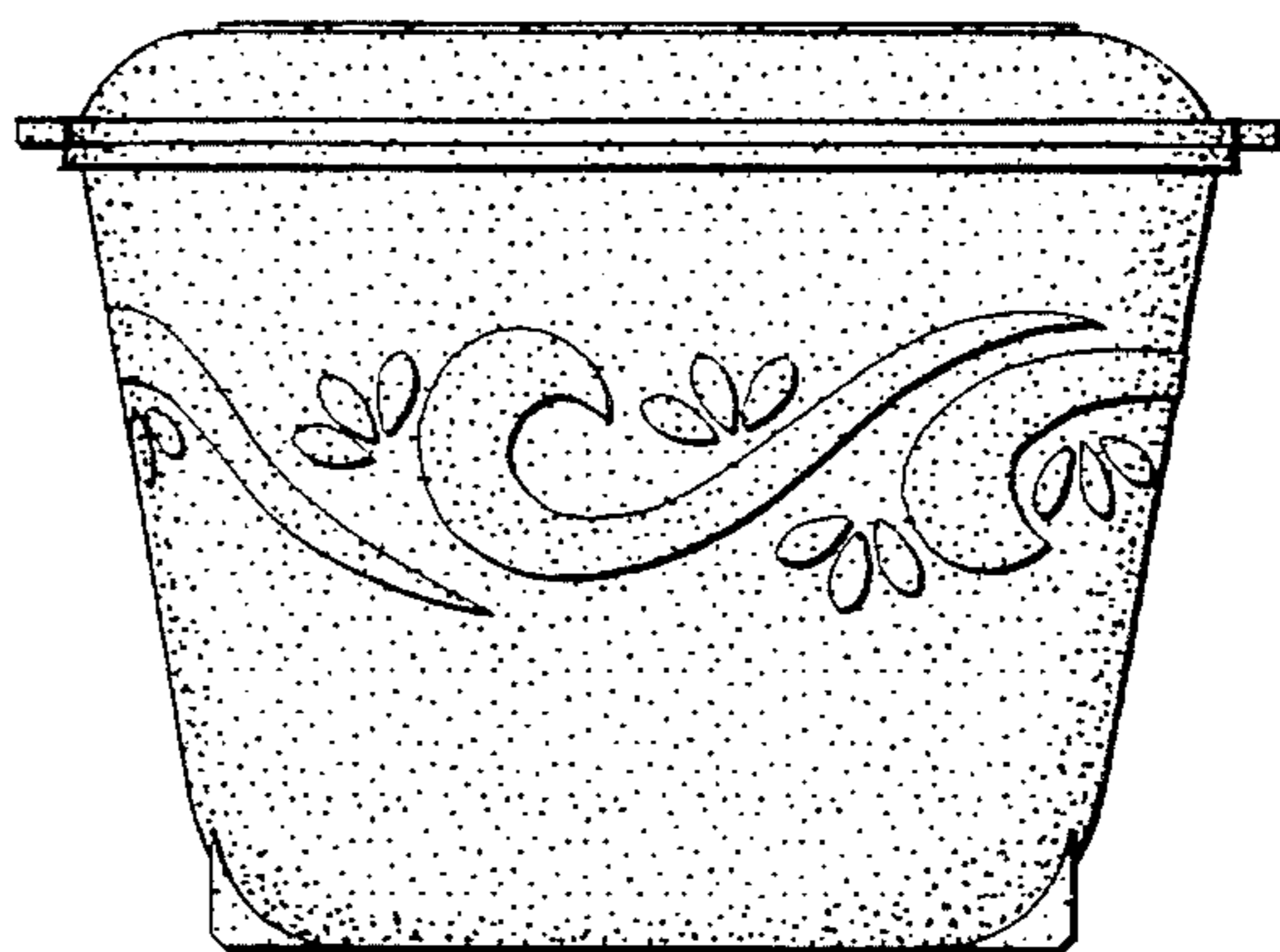
*Fig. 9*



*Fig. 10*



*Fig. 11*



*Fig. 12*