



US00D368622S

United States Patent [19]

[11] **Patent Number:** **Des. 368,622**

Izumi

[45] **Date of Patent:** ****Apr. 9, 1996**

[54] **FOOD PROCESSOR**

[75] Inventor: **Shunji Izumi**, Matsumoto, Japan

[73] Assignee: **Kabushiki Kaisha Izumi Seiki Seisakusho**, Nagano, Japan

[**] Term: **14 Years**

[21] Appl. No.: **34,168**

[22] Filed: **Jan. 30, 1995**

[30] **Foreign Application Priority Data**

Sep. 2, 1994 [JP] Japan 6-26535

[52] U.S. Cl. **D7/384; D7/386**

[58] Field of Search D7/376, 378, 383, D7/384, 386, 412, 413; 99/495, 510-513; 241/37, 92, 93, 282.1, 282.2, 401; 366/129, 130, 197, 199, 204, 205, 314

[56] **References Cited**

U.S. PATENT DOCUMENTS

- D. 191,153 8/1961 Gresens et al. D7/386
- D. 267,538 1/1983 Steinkamp et al. D7/386

- D. 290,676 7/1987 Stutzer et al. D7/383 X
- D. 337,918 8/1993 Littmann D7/386
- D. 345,079 3/1994 Johnson D7/376 X
- 4,113,188 9/1978 Belinkoff D7/384 X
- 5,071,077 12/1991 Arroubi et al. D7/386 X
- 5,222,430 6/1993 Wang 241/282.1 X

Primary Examiner—Alan P. Douglas
Assistant Examiner—Caron D. Veynar
Attorney, Agent, or Firm—Jordan and Hamburg

[57] **CLAIM**

The ornamental design for a food processor, as shown and described.

DESCRIPTION

FIG. 1 is a perspective view of a food processor showing my new design;
FIG. 2 is a front elevational view thereof;
FIG. 3 is a right side elevational view thereof;
FIG. 4 is a left side elevational view thereof;
FIG. 5 is a top plan view thereof; and,
FIG. 6 is a bottom plan view thereof.

1 Claim, 4 Drawing Sheets

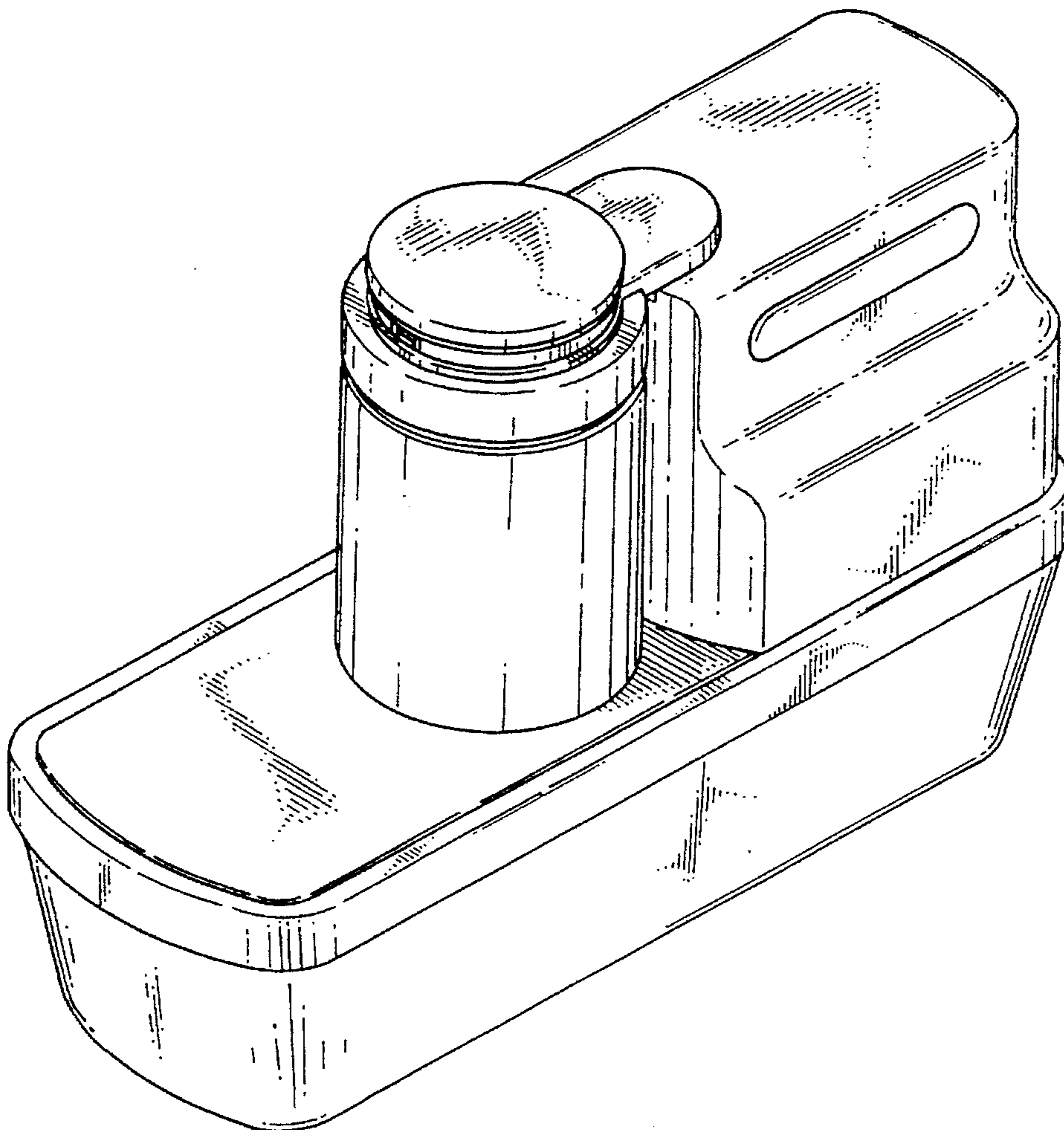


FIG. 1

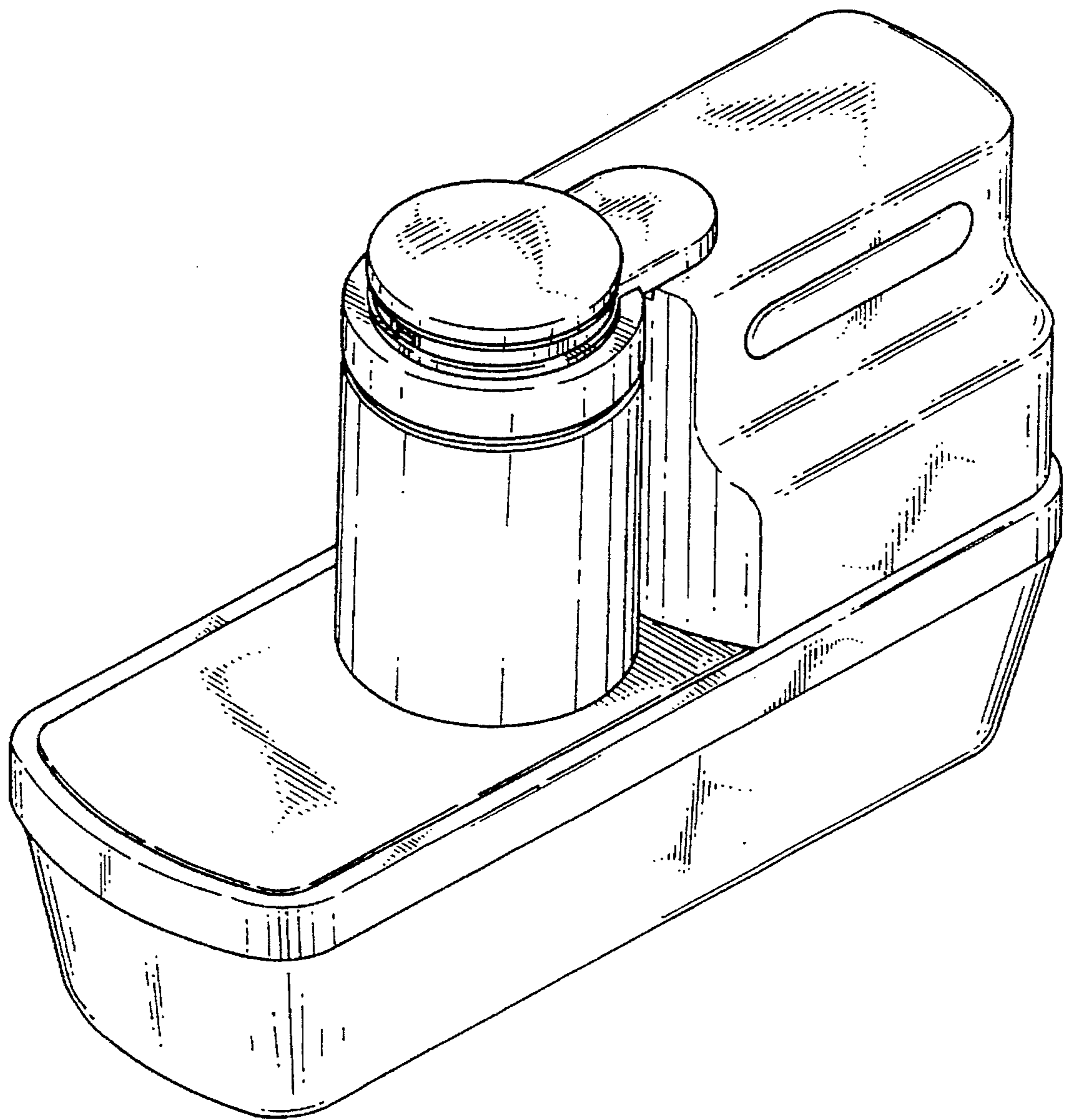


FIG.2

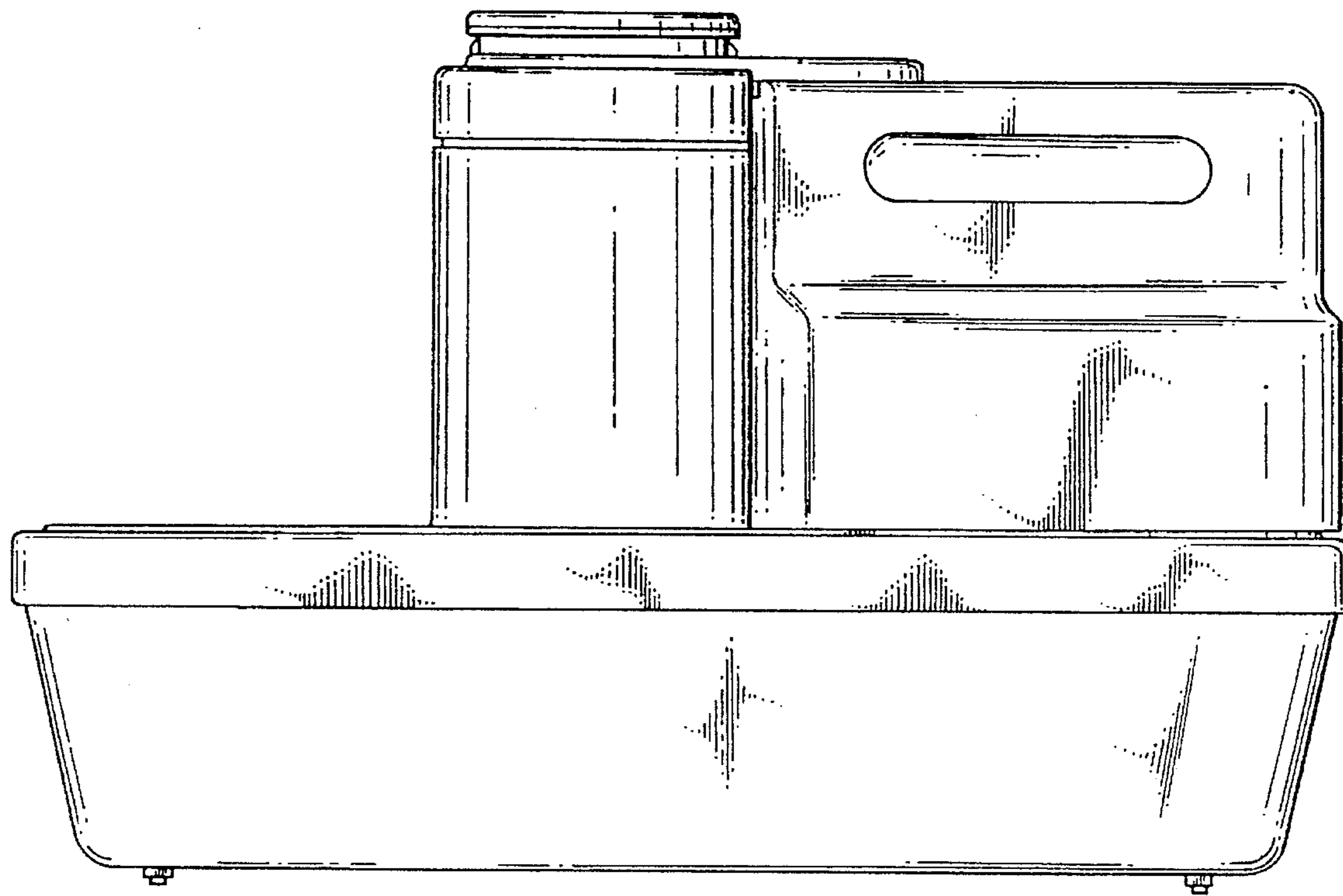


FIG.3

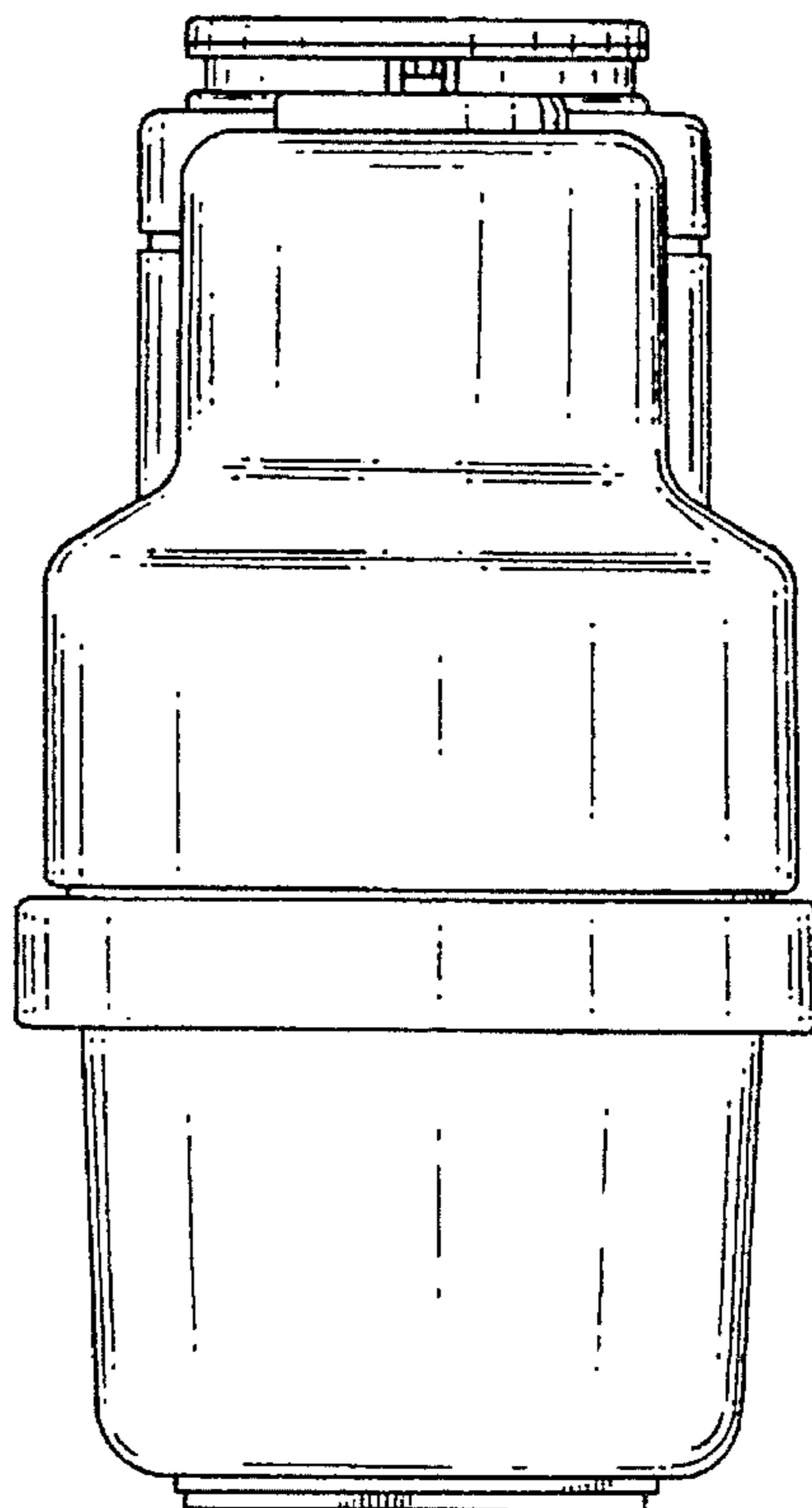


FIG.4

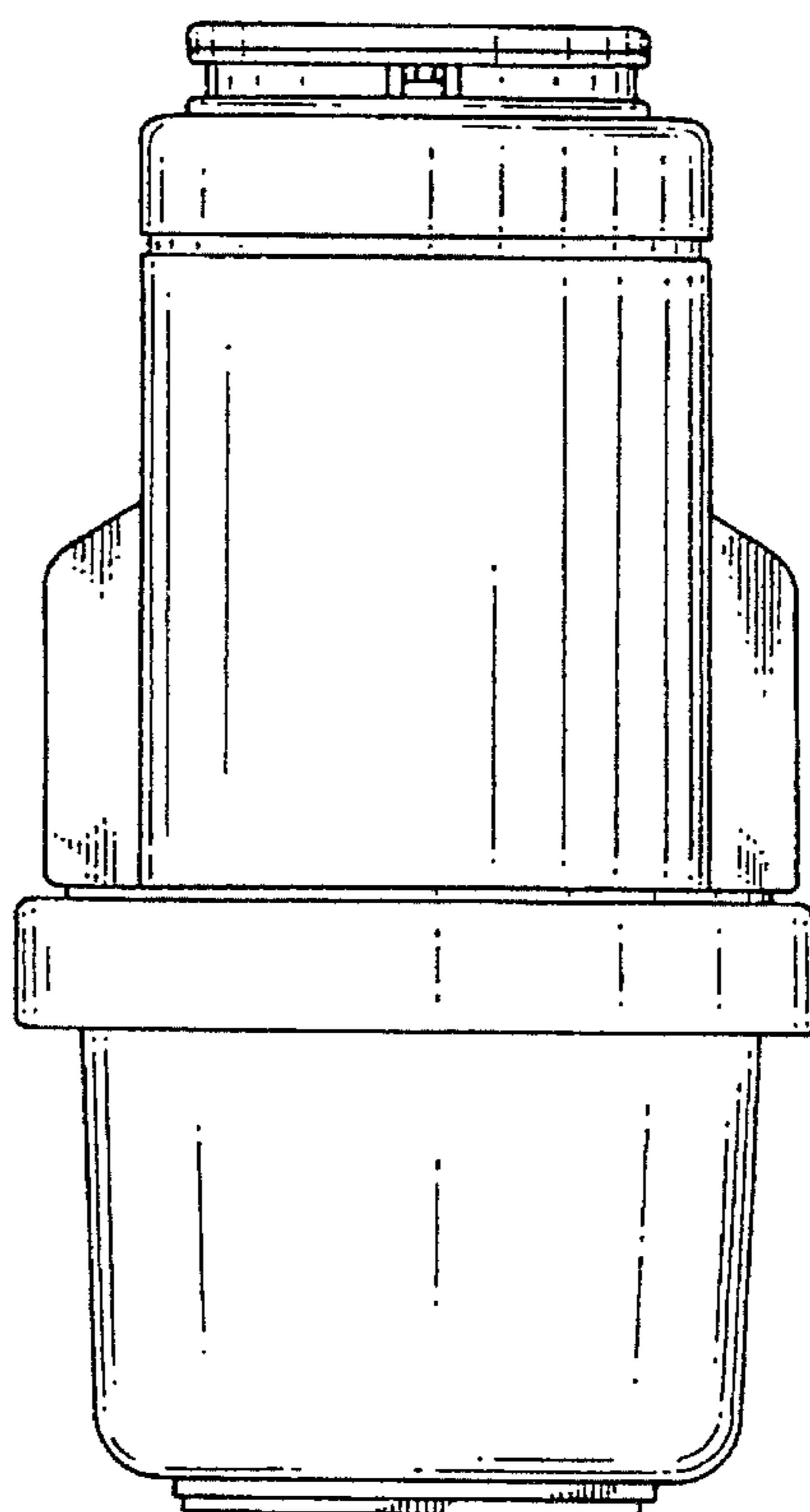


FIG.5

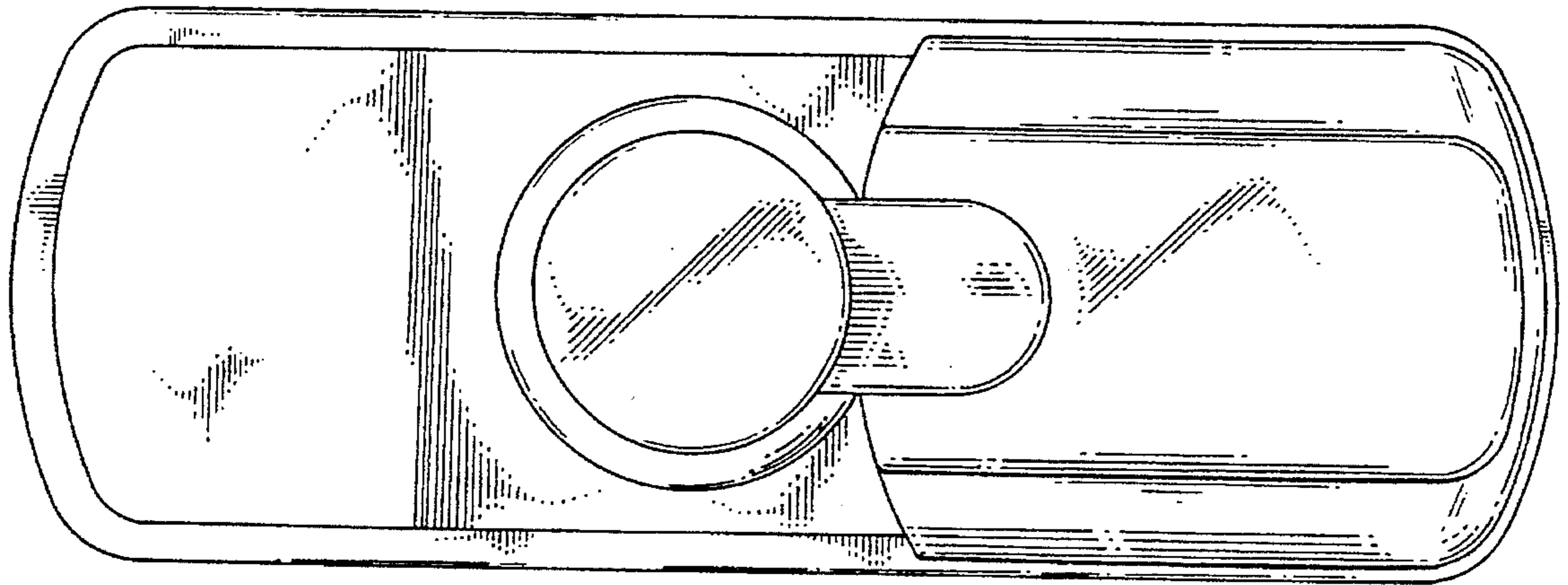


FIG.6

