



US00D368621S

**United States Patent** [19]  
**Mano**

[11] **Patent Number: Des. 368,621**  
[45] **Date of Patent: \*\*Apr. 9, 1996**

[54] **ADIABATIC COOKING WARE**

[75] Inventor: **Kaori Mano**, Kyoto, Japan  
[73] Assignee: **Nippon Sanso Corporation**, Tokyo, Japan  
[\*\*] Term: **14 Years**

[21] Appl. No.: **34,623**  
[22] Filed: **Feb. 9, 1995**

[30] **Foreign Application Priority Data**

Aug. 12, 1994	[JP]	Japan	.....	6-24461
Aug. 12, 1994	[JP]	Japan	.....	6-24462
Aug. 12, 1994	[JP]	Japan	.....	6-24463
Aug. 12, 1994	[JP]	Japan	.....	6-24464
Aug. 12, 1994	[JP]	Japan	.....	6-24465

[52] **U.S. Cl.** ..... **D7/360; D7/354**

[58] **Field of Search** ..... **D7/323, 354, 356, D7/358, 360; 99/413, 417, 425, 426, 324; 220/912**

[56] **References Cited**

**U.S. PATENT DOCUMENTS**

D. 91,351	1/1934	Christman	.....	D7/360
D. 275,547	9/1984	Asti et al.	.....	D7/360
D. 335,422	5/1993	Mano et al.	.....	D7/360
D. 338,133	8/1993	Mano et al.	.....	D7/360

**FOREIGN PATENT DOCUMENTS**

859480 8/1989 Japan .

*Primary Examiner*—Alan P. Douglas  
*Assistant Examiner*—Caron D. Veynar  
*Attorney, Agent, or Firm*—Lowe, Price, LeBlanc & Becker

[57] **CLAIM**

The ornamental design for the adiabatic cooking ware, as shown and described.

**DESCRIPTION**

FIG. 1 is a top perspective view of adiabatic cooking ware showing my new design;

FIG. 2 is a front elevational view thereof;  
 FIG. 3 is a rear elevational view thereof;  
 FIG. 4 is a right side elevational view thereof, the left side elevational view being a mirror image;  
 FIG. 5 is a top plan view thereof;  
 FIG. 6 is a bottom plan view thereof;  
 FIG. 7 is an exploded perspective view thereof;  
 FIG. 8 is a top perspective view of second embodiment thereof;  
 FIG. 9 is a front elevational view thereof;  
 FIG. 10 is a rear elevational view thereof;  
 FIG. 11 is a right side elevational view thereof, the left side elevational view being a mirror image;  
 FIG. 12 is a top plan view thereof;  
 FIG. 13 is a bottom plan view thereof;  
 FIG. 14 is an exploded perspective view thereof;  
 FIG. 15 is a top perspective view of third embodiment thereof;  
 FIG. 16 is a front elevational view thereof;  
 FIG. 17 is a rear elevational view thereof;  
 FIG. 18 is a right side elevational view thereof, the left side elevational view being a mirror image;  
 FIG. 19 is a top plan view thereof;  
 FIG. 20 is a bottom plan view thereof;  
 FIG. 21 is an exploded perspective view thereof;  
 FIG. 22 is a top perspective view of fourth embodiment thereof;  
 FIG. 23 is a front elevational view thereof;  
 FIG. 24 is a rear elevational view thereof;  
 FIG. 25 is a right side elevational view thereof, the left side elevational view being a mirror image;  
 FIG. 26 is a top plan view thereof;  
 FIG. 27 is a bottom plan view thereof;  
 FIG. 28 is an exploded perspective view thereof;  
 FIG. 29 is a top perspective view of fifth embodiment thereof;  
 FIG. 30 is a front elevational view thereof;  
 FIG. 31 is a rear elevational view thereof;  
 FIG. 32 is a right side elevational view thereof, the left side elevational view being a mirror image;  
 FIG. 33 is a top plan view thereof;  
 FIG. 34 is a bottom plan view thereof; and,  
 FIG. 35 is an exploded perspective view thereof.

**1 Claim, 20 Drawing Sheets**

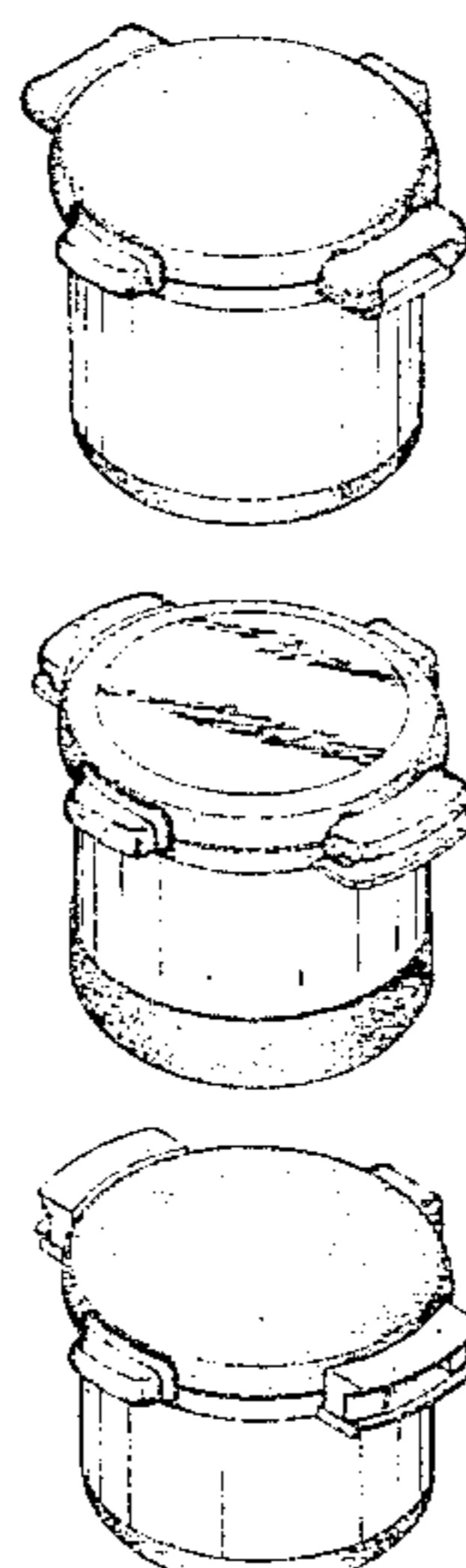


FIG. 1

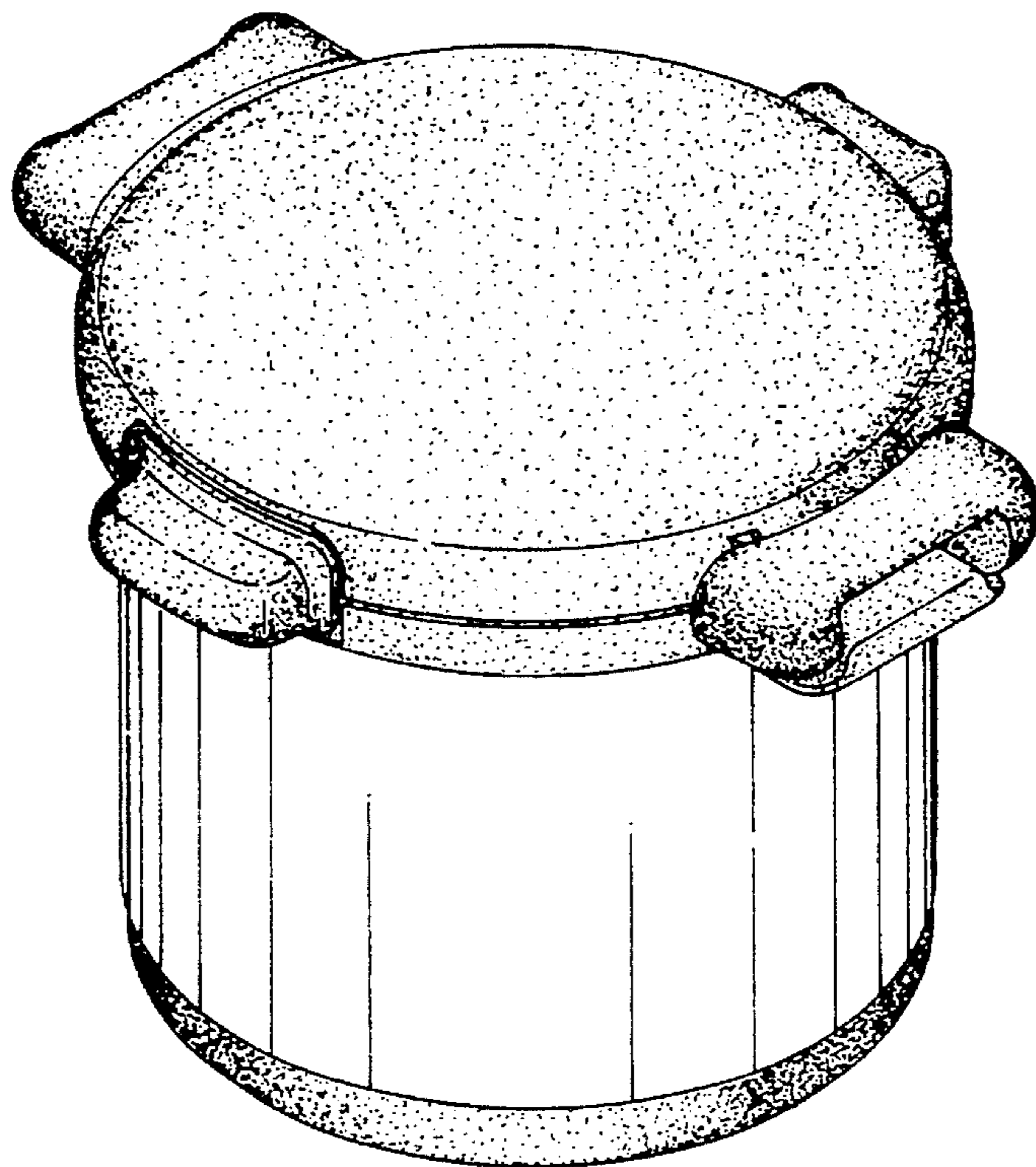


FIG. 2

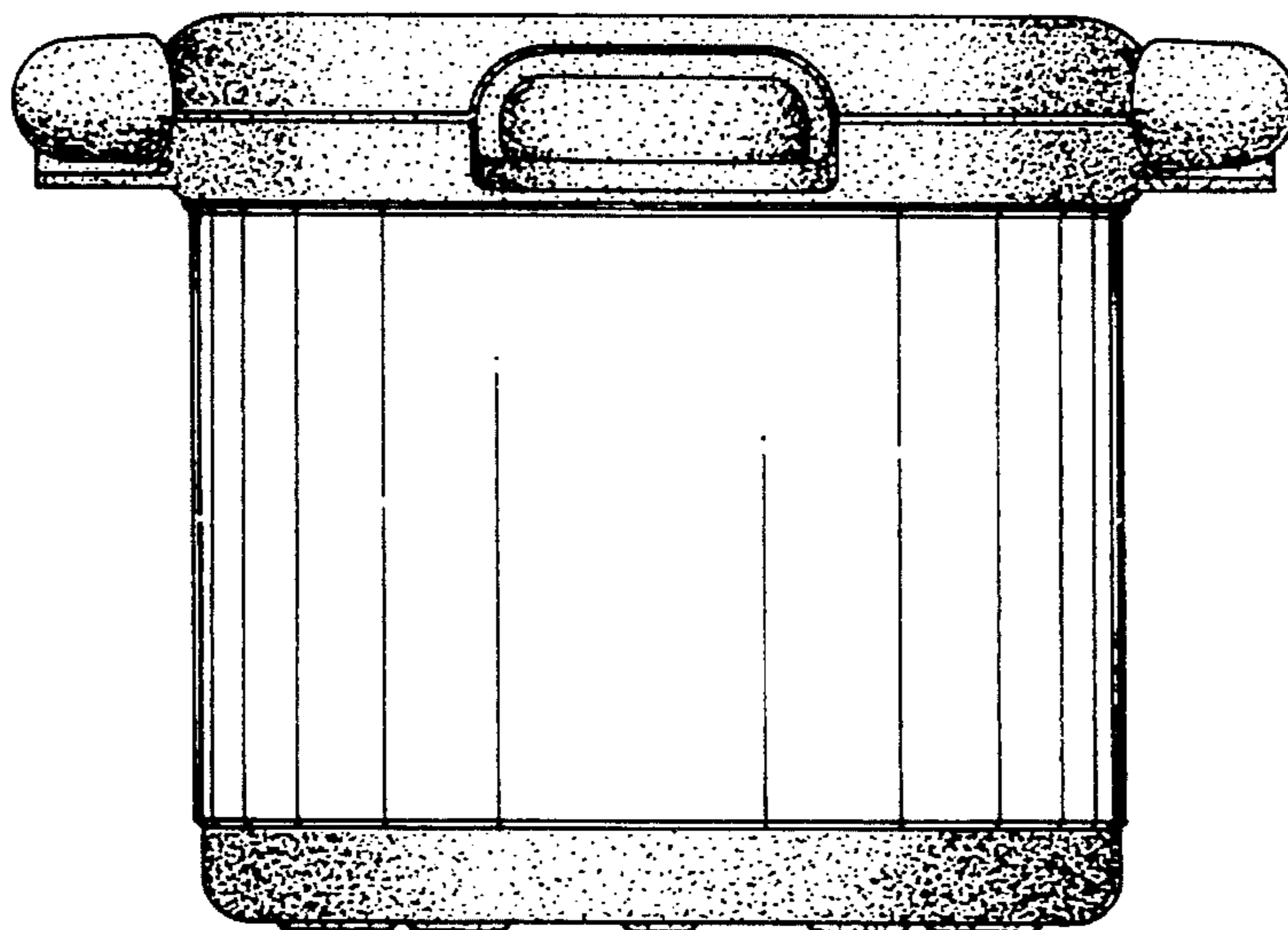


FIG. 3

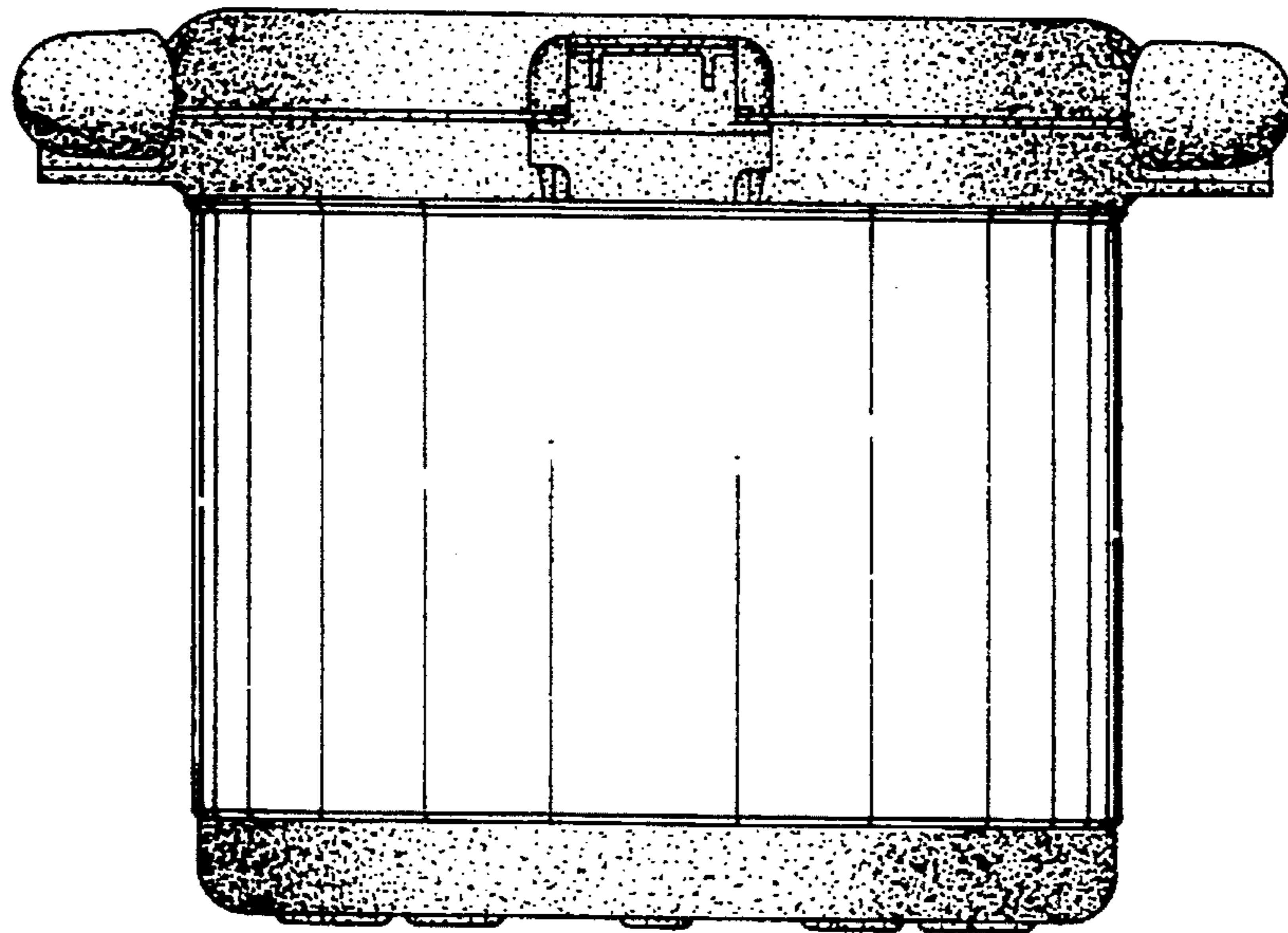


FIG. 4

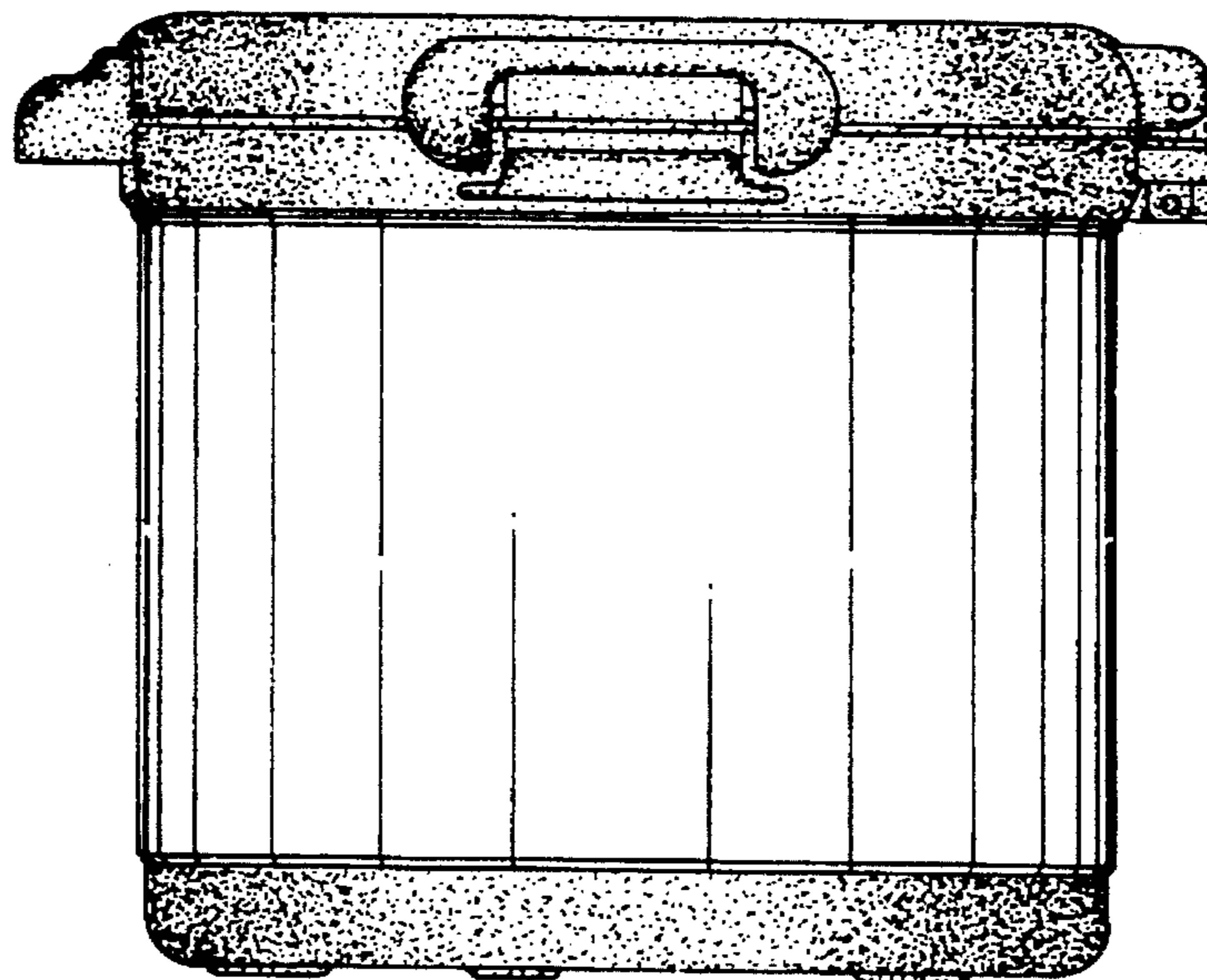


FIG. 5

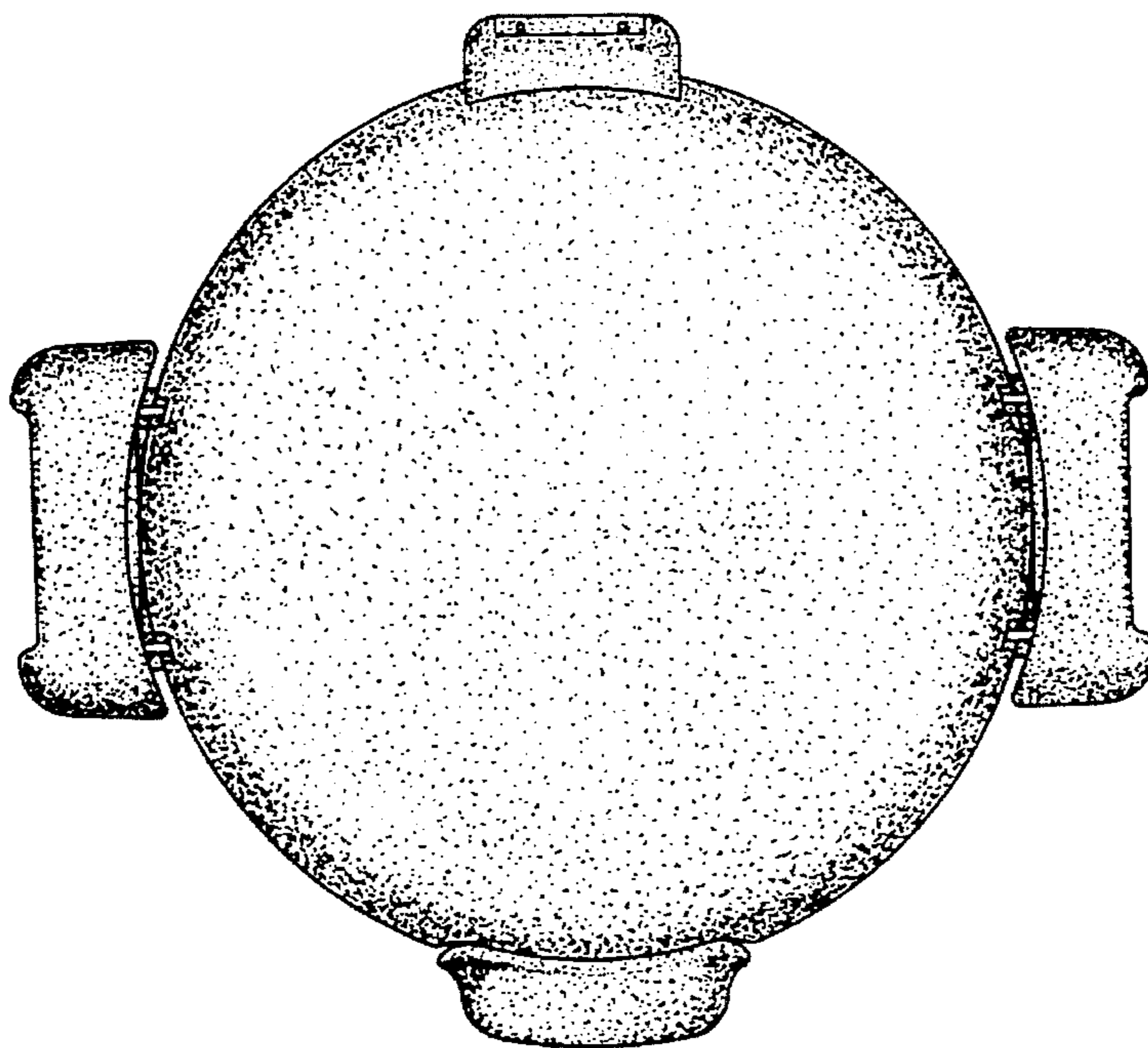


FIG. 6

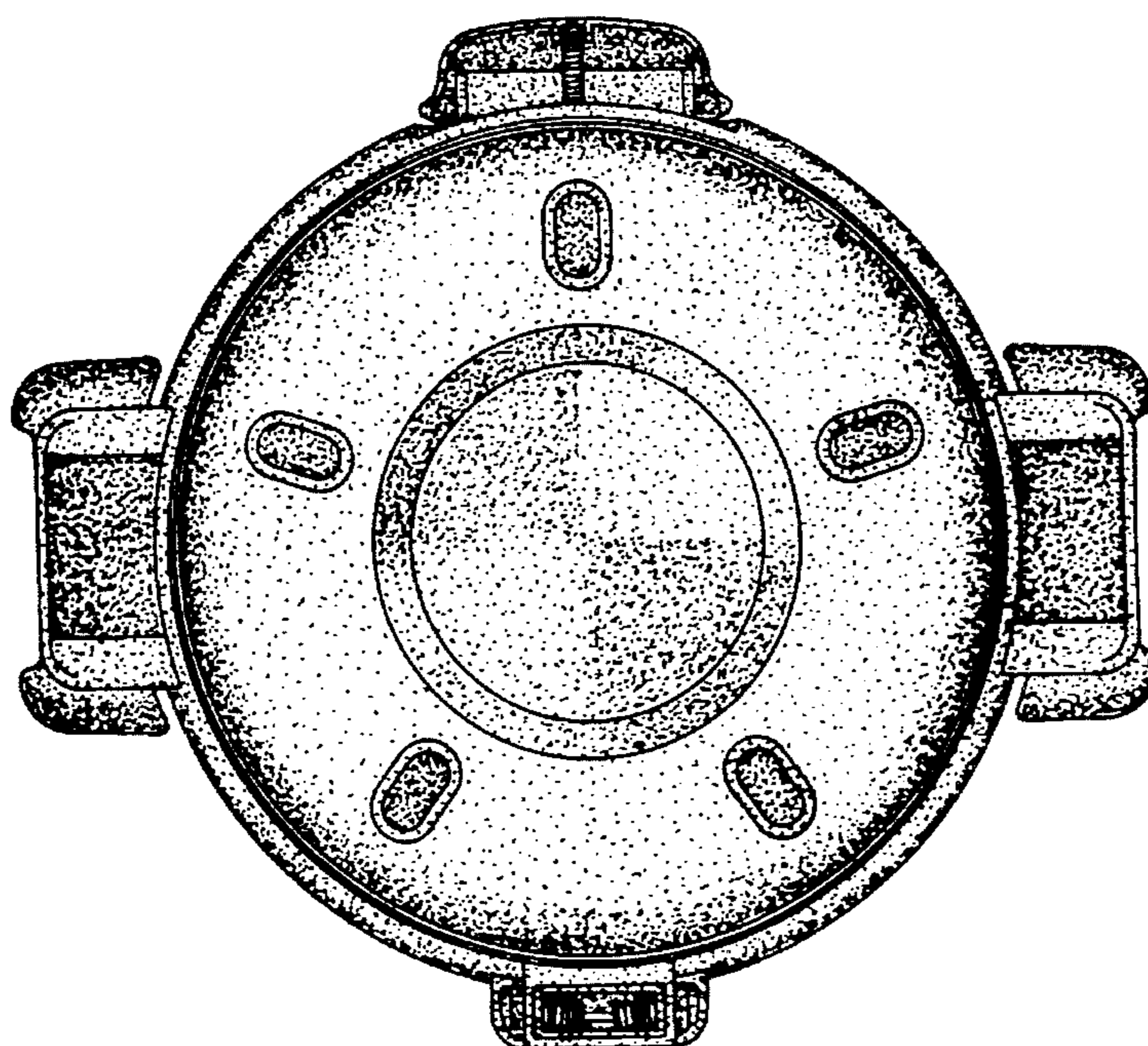


FIG. 7

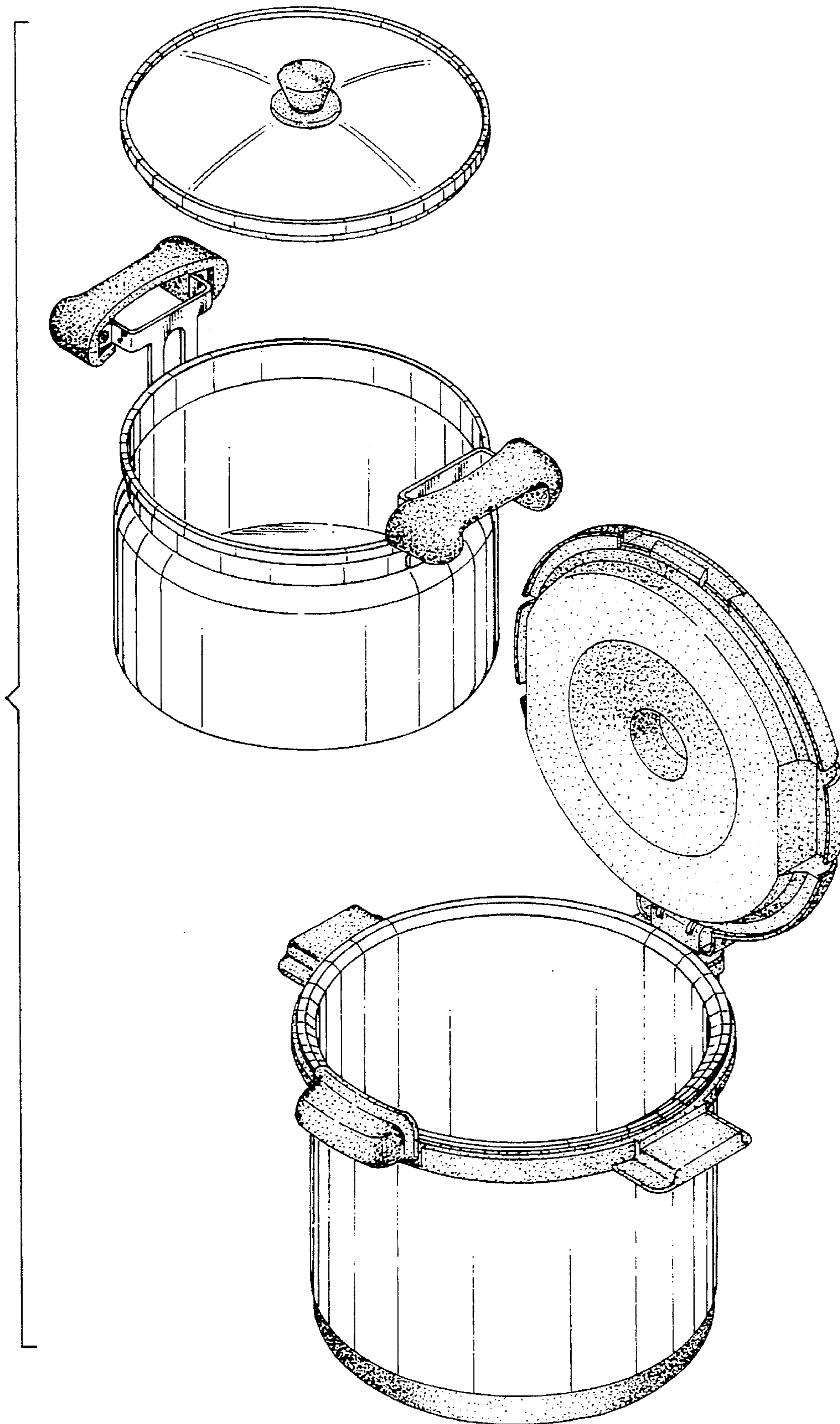


FIG. 8

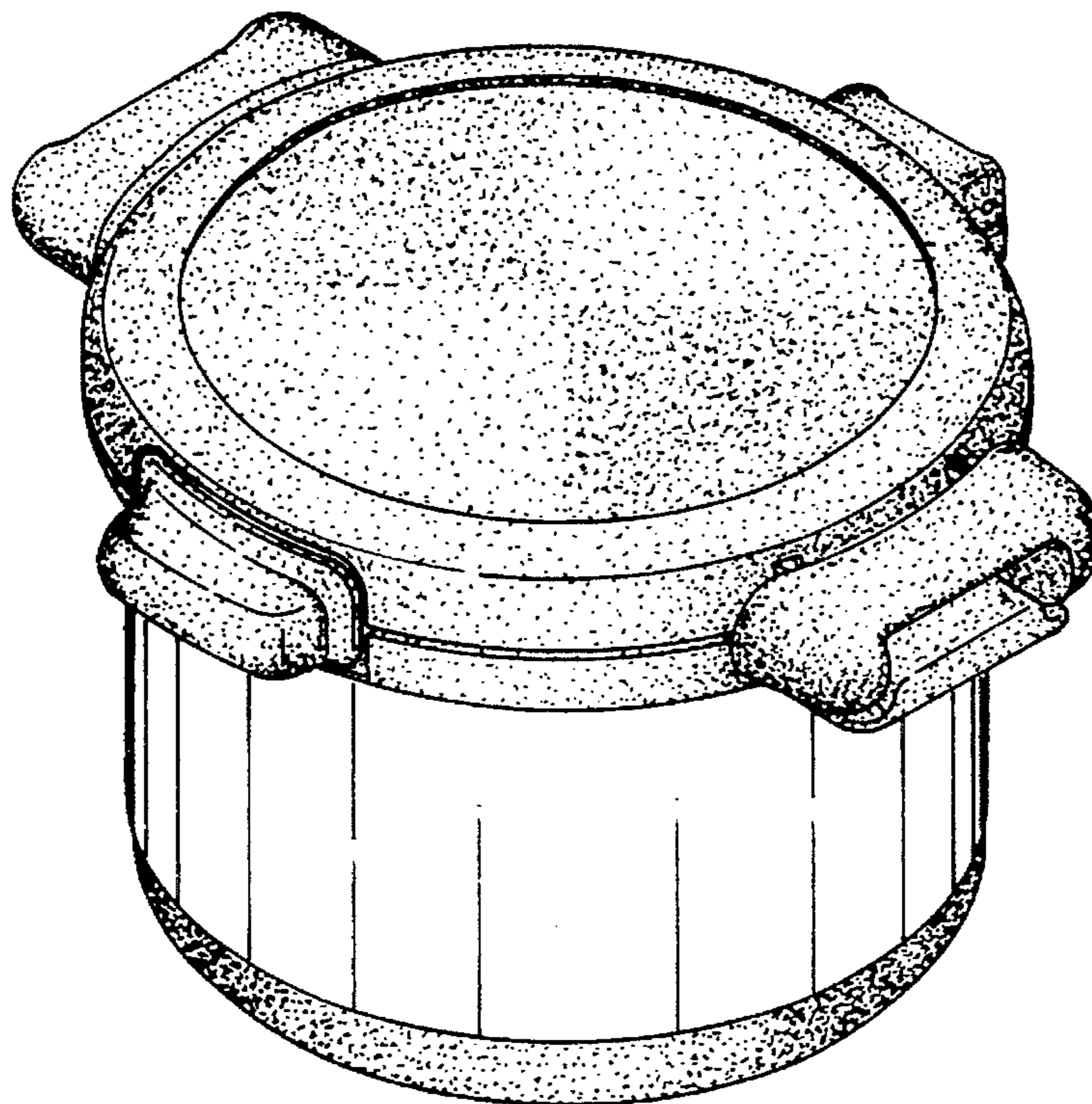


FIG. 9

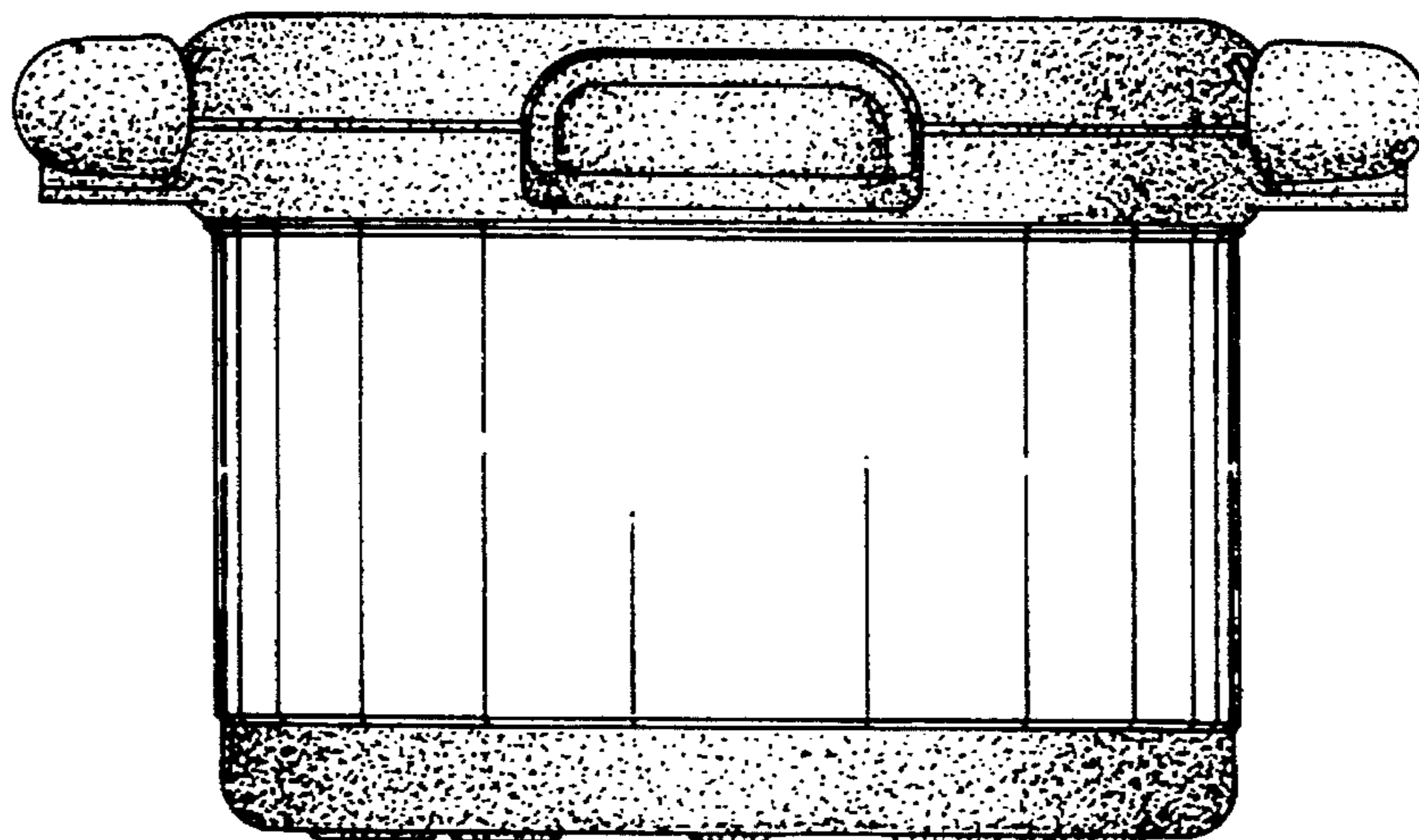


FIG.10

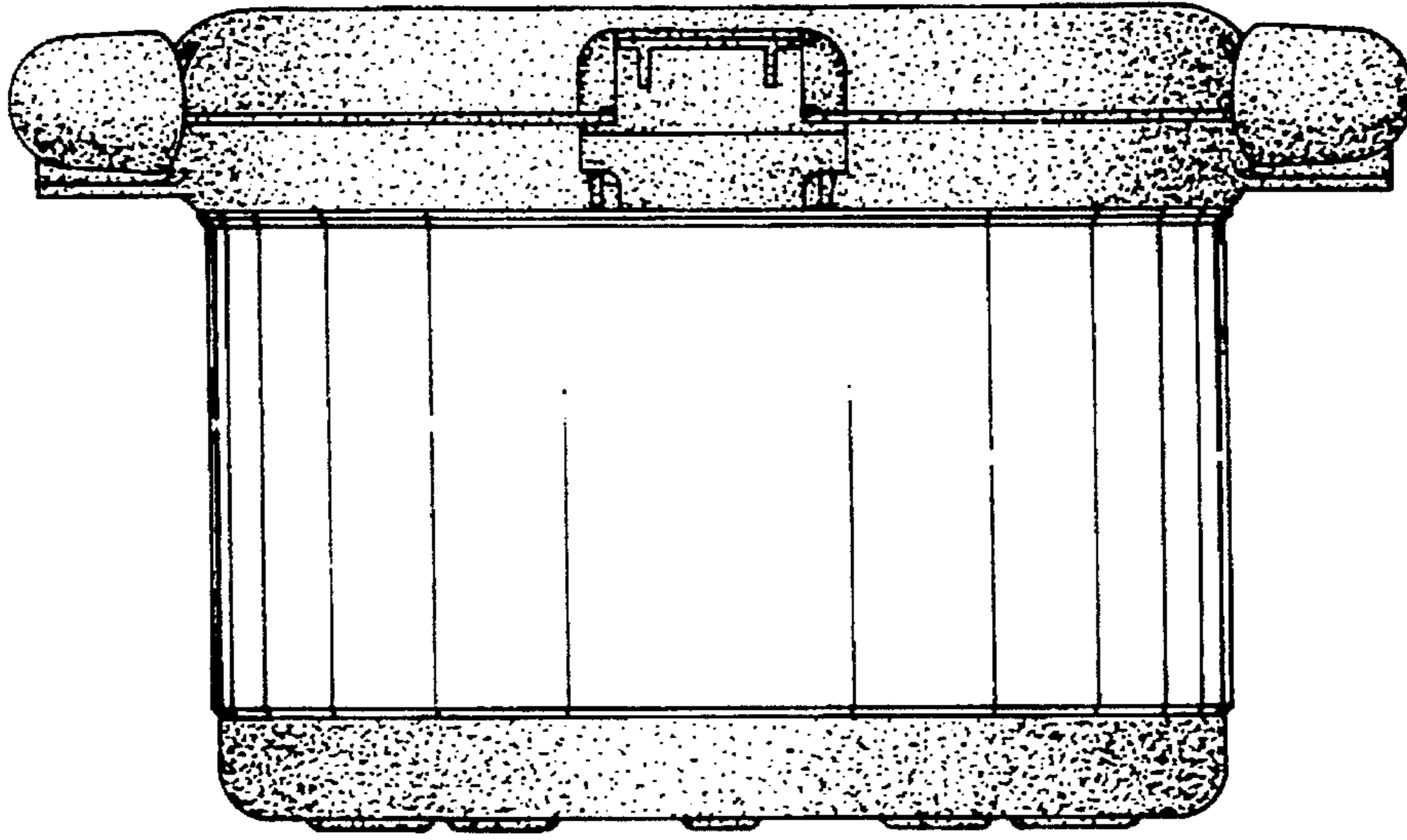


FIG.11

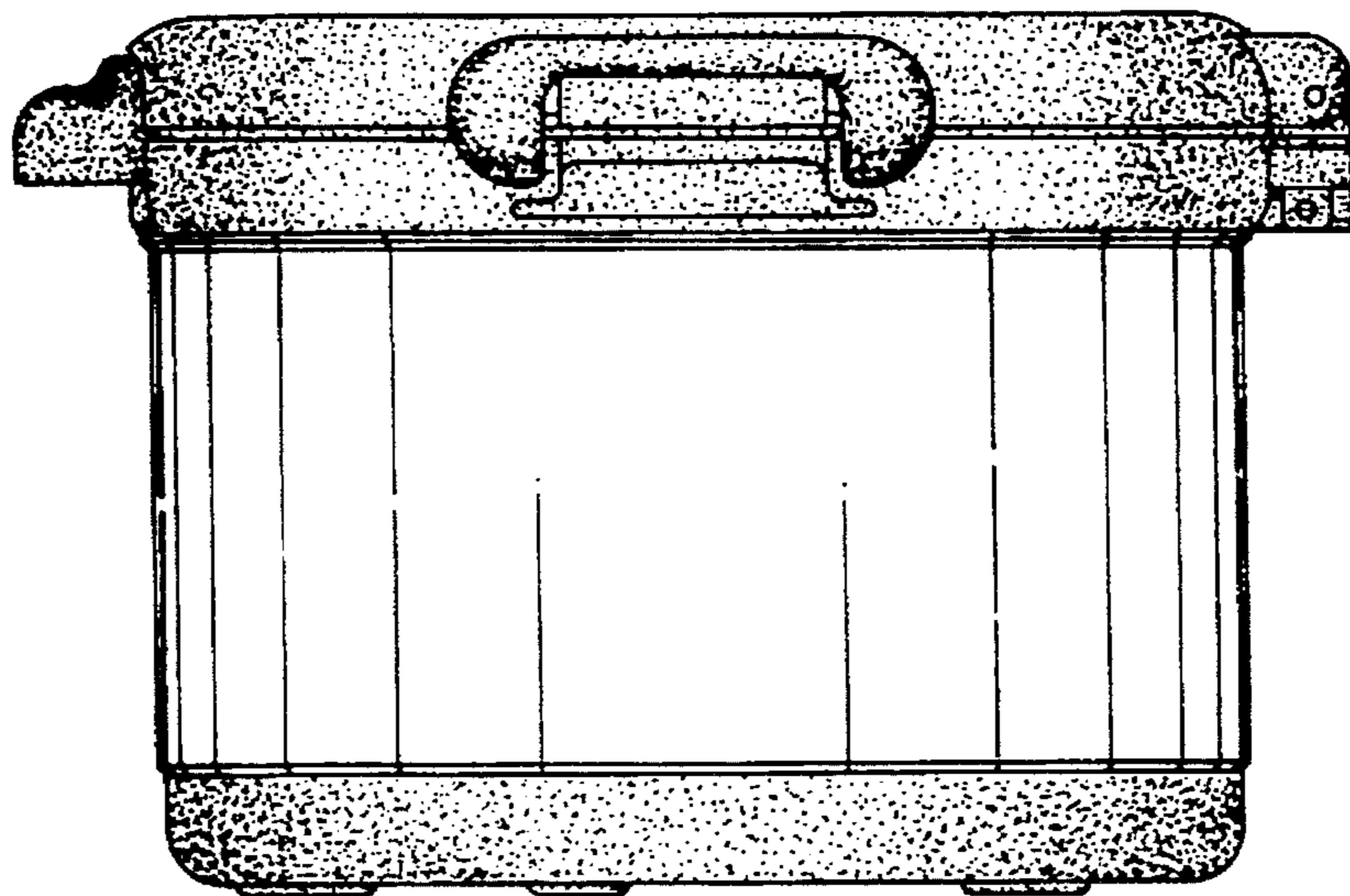


FIG.12

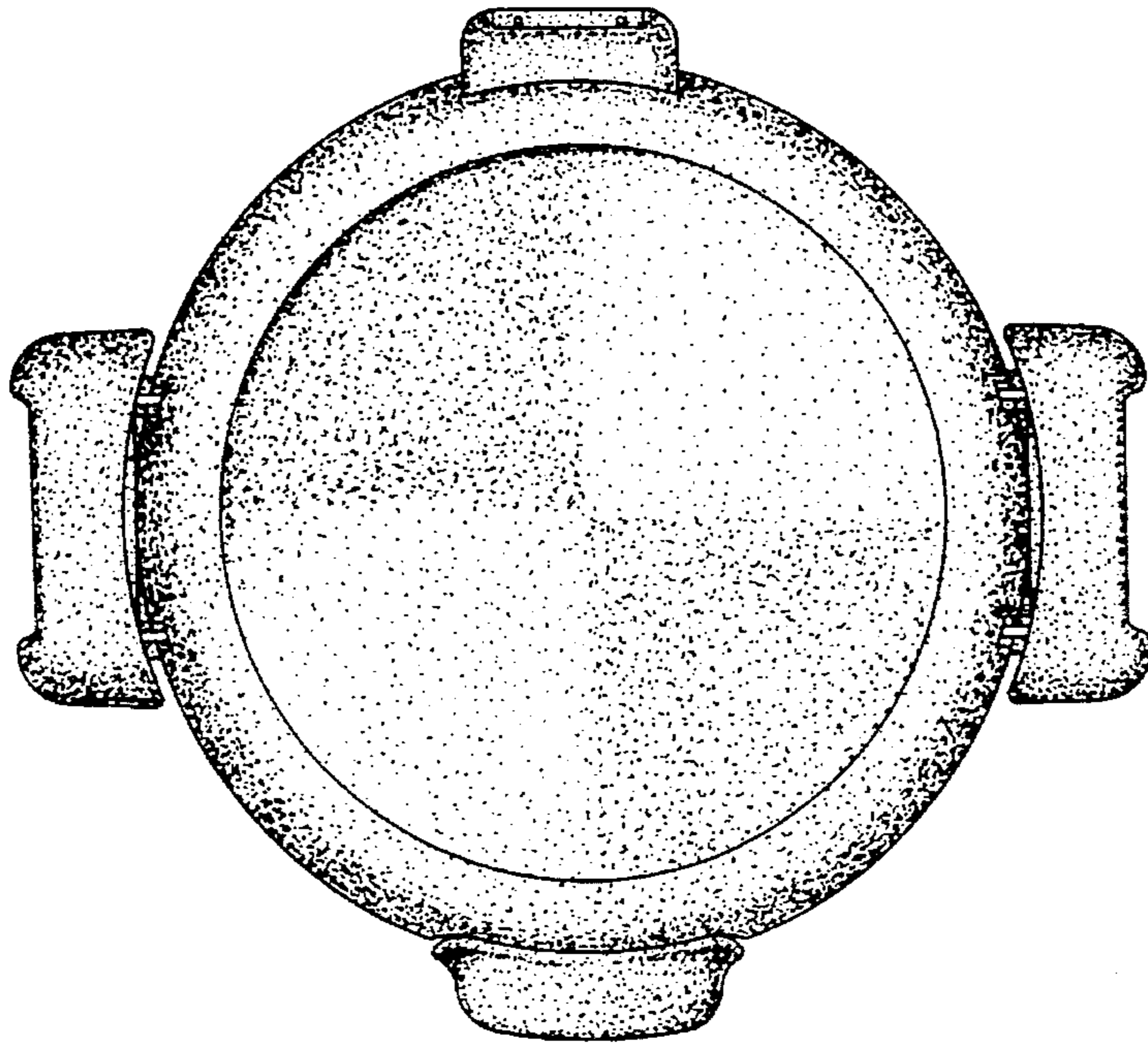


FIG.13

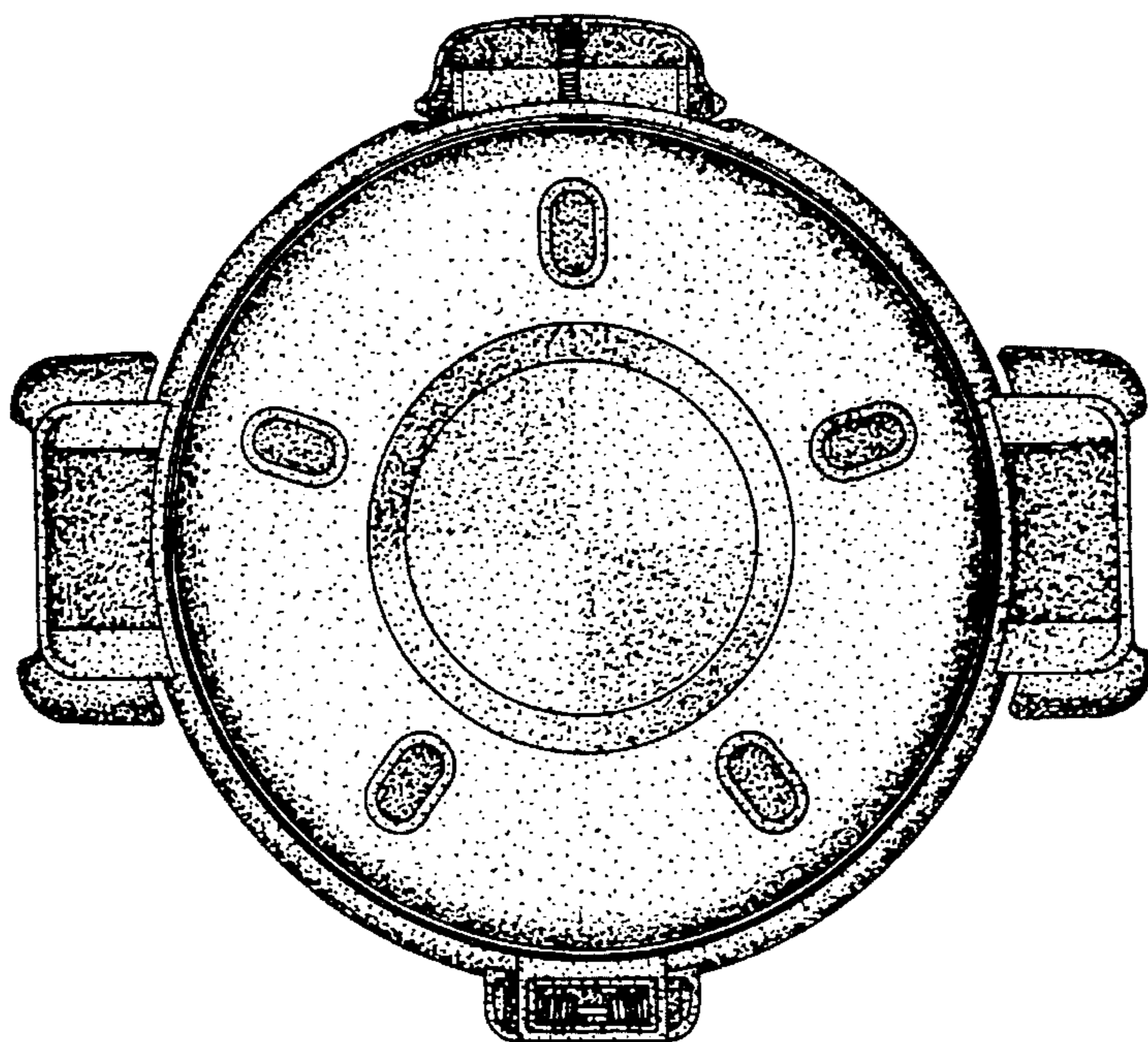




FIG.14

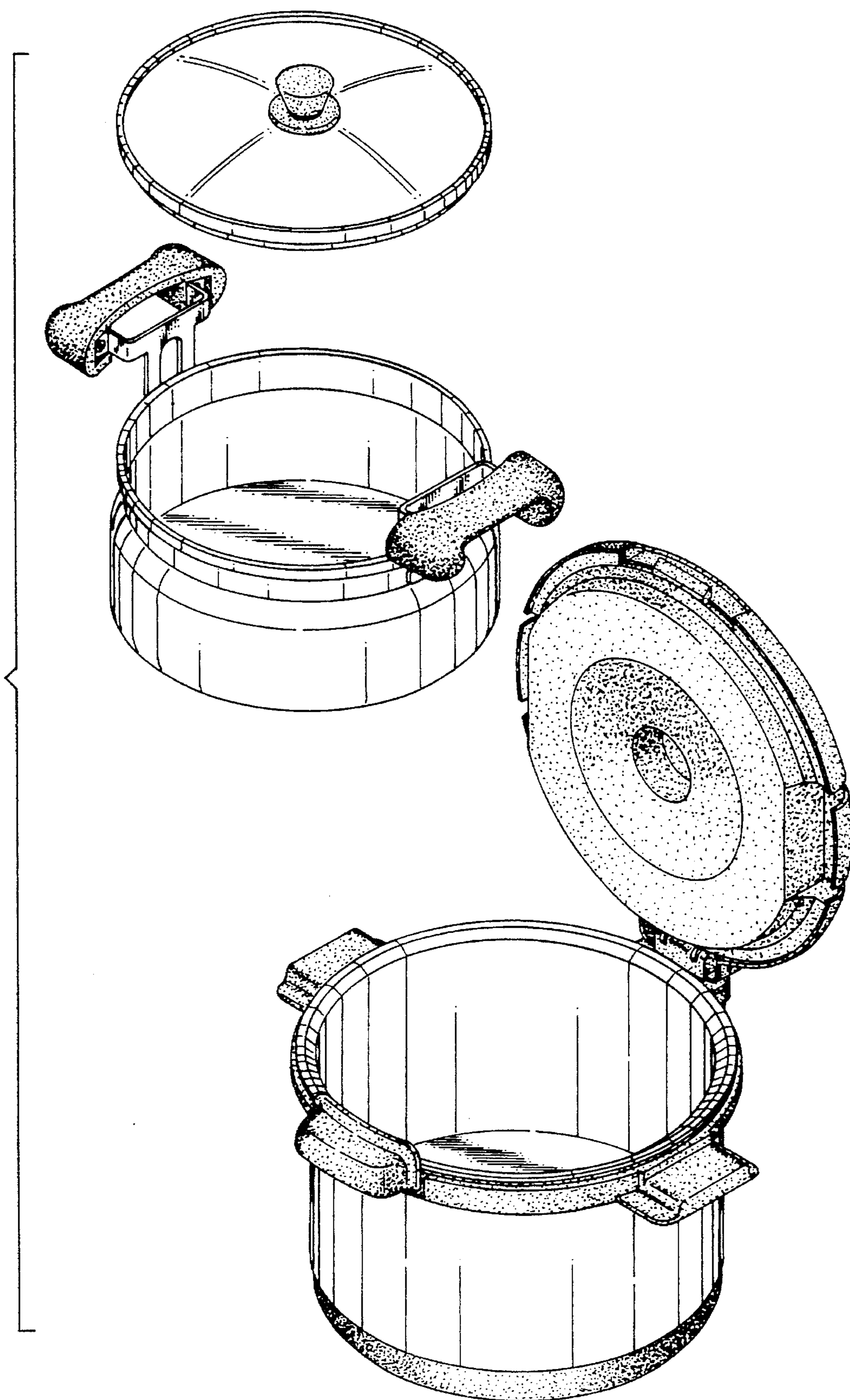


FIG.15

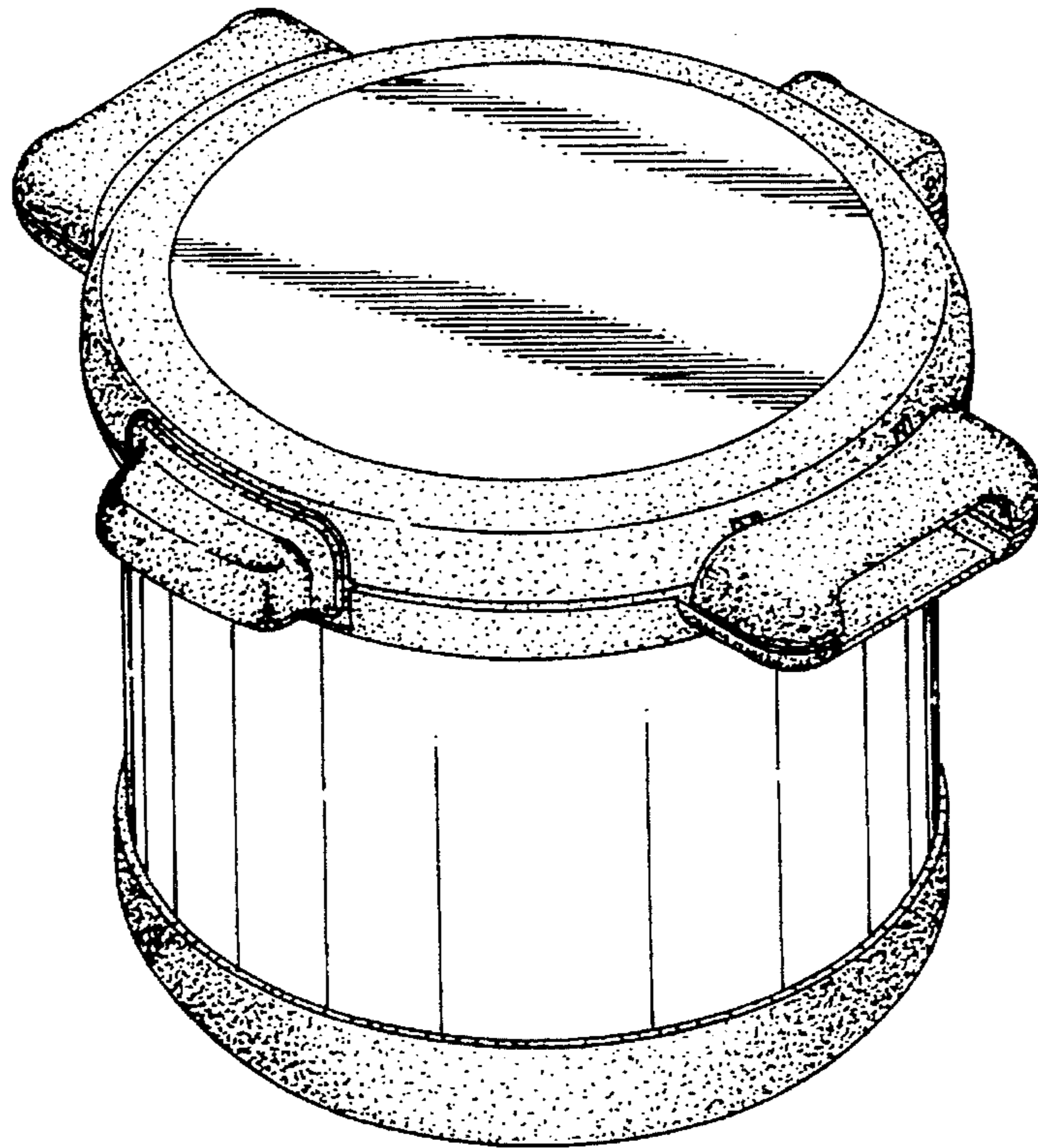


FIG.16

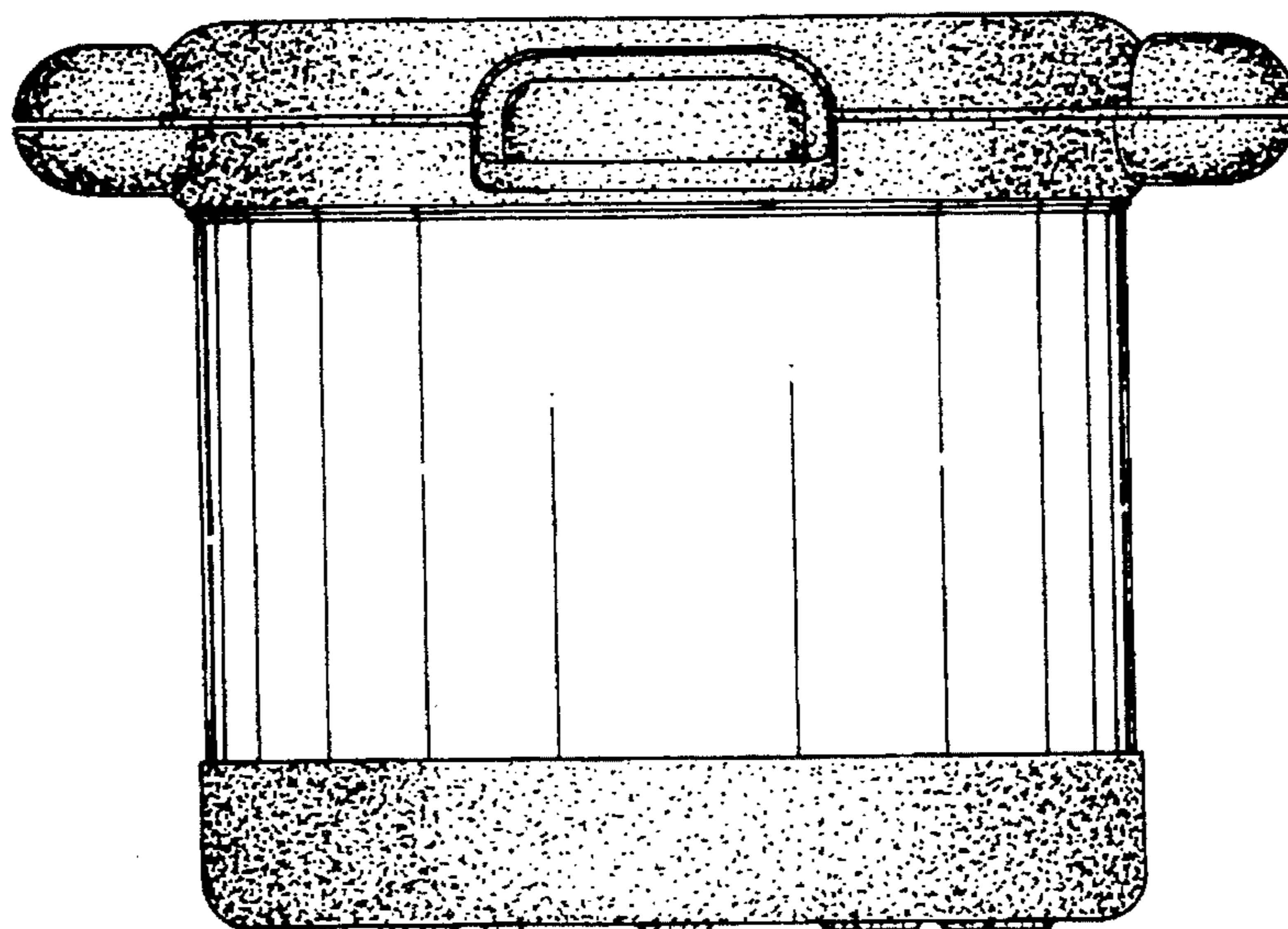


FIG.17

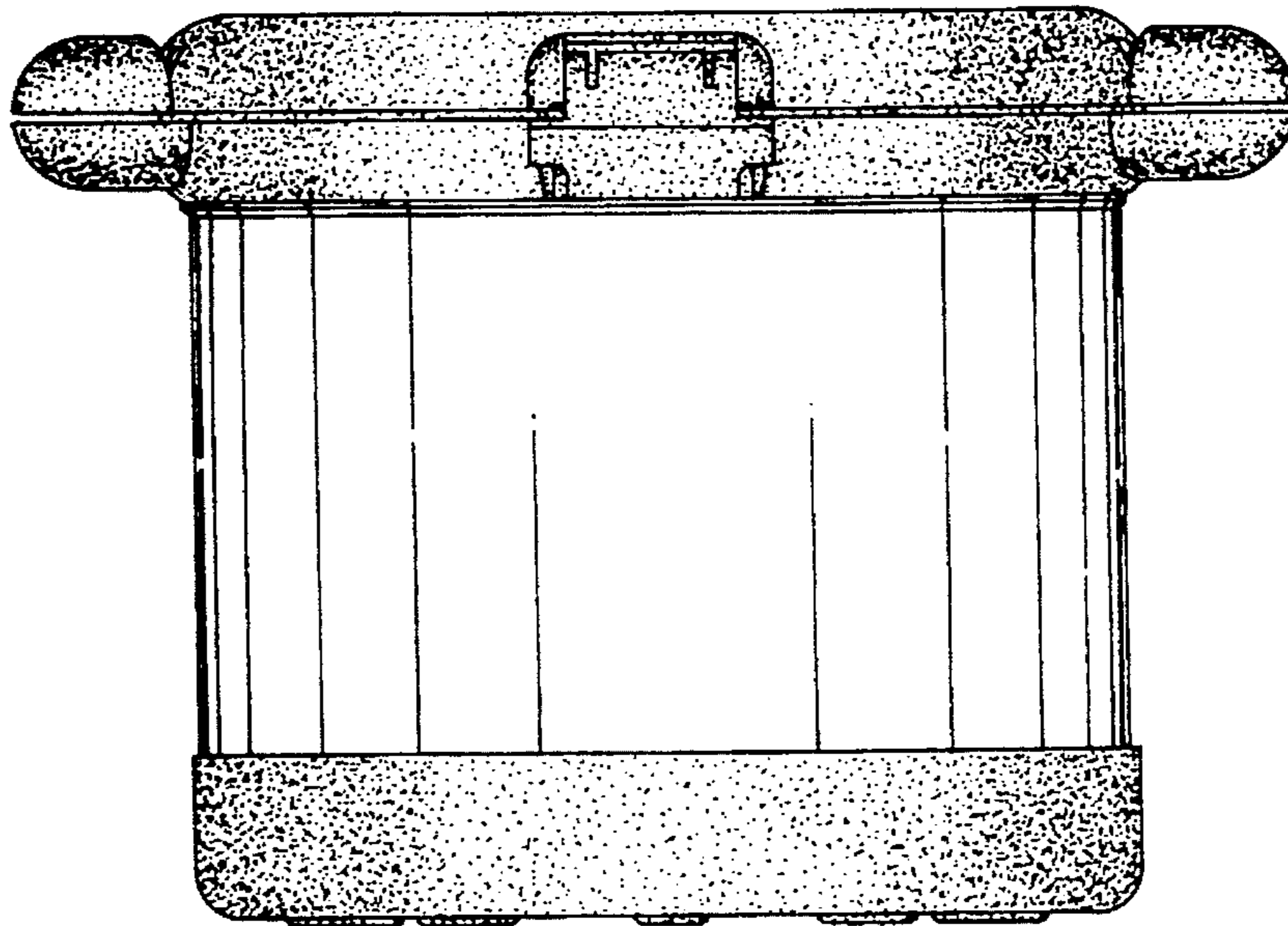


FIG.18

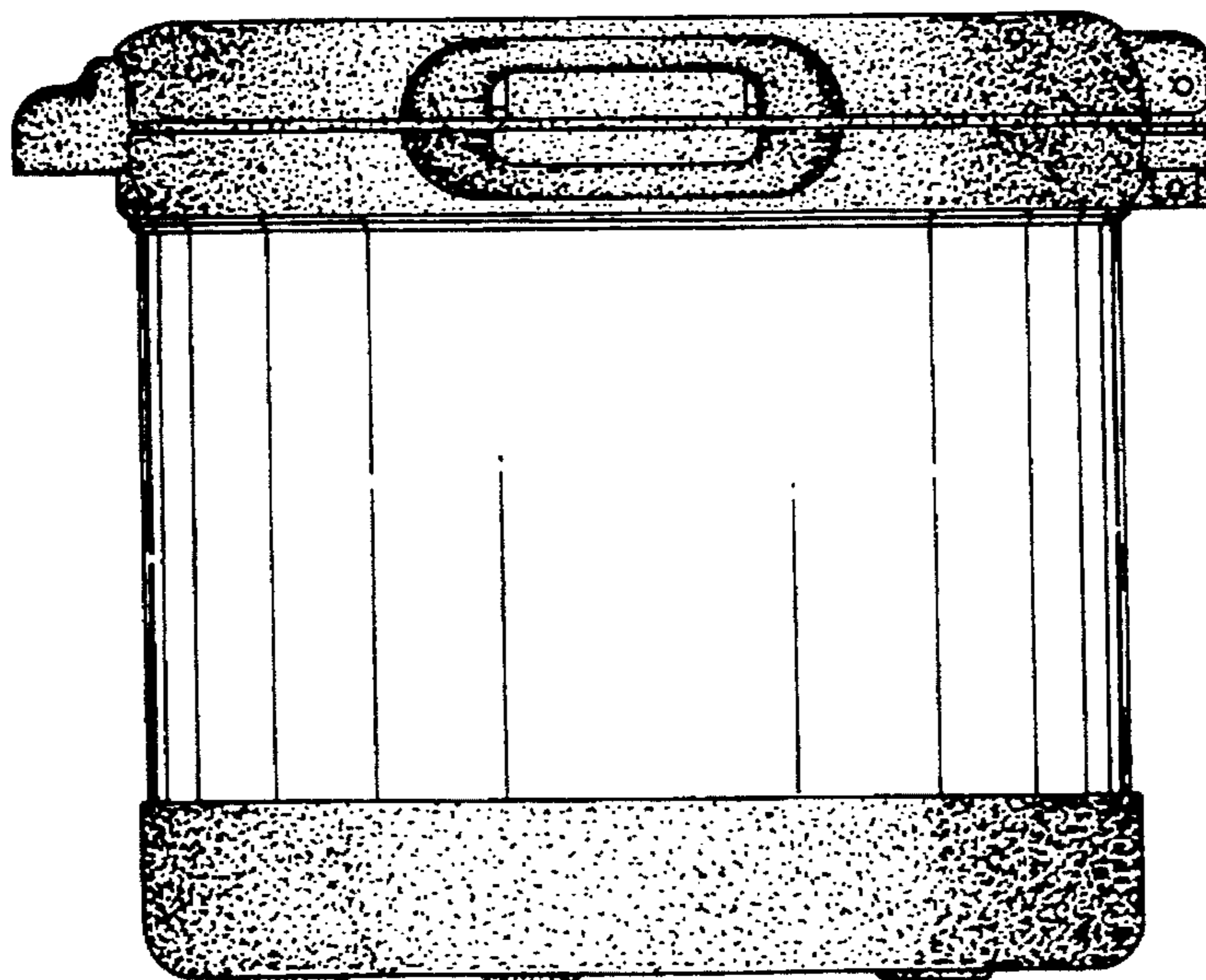


FIG.19

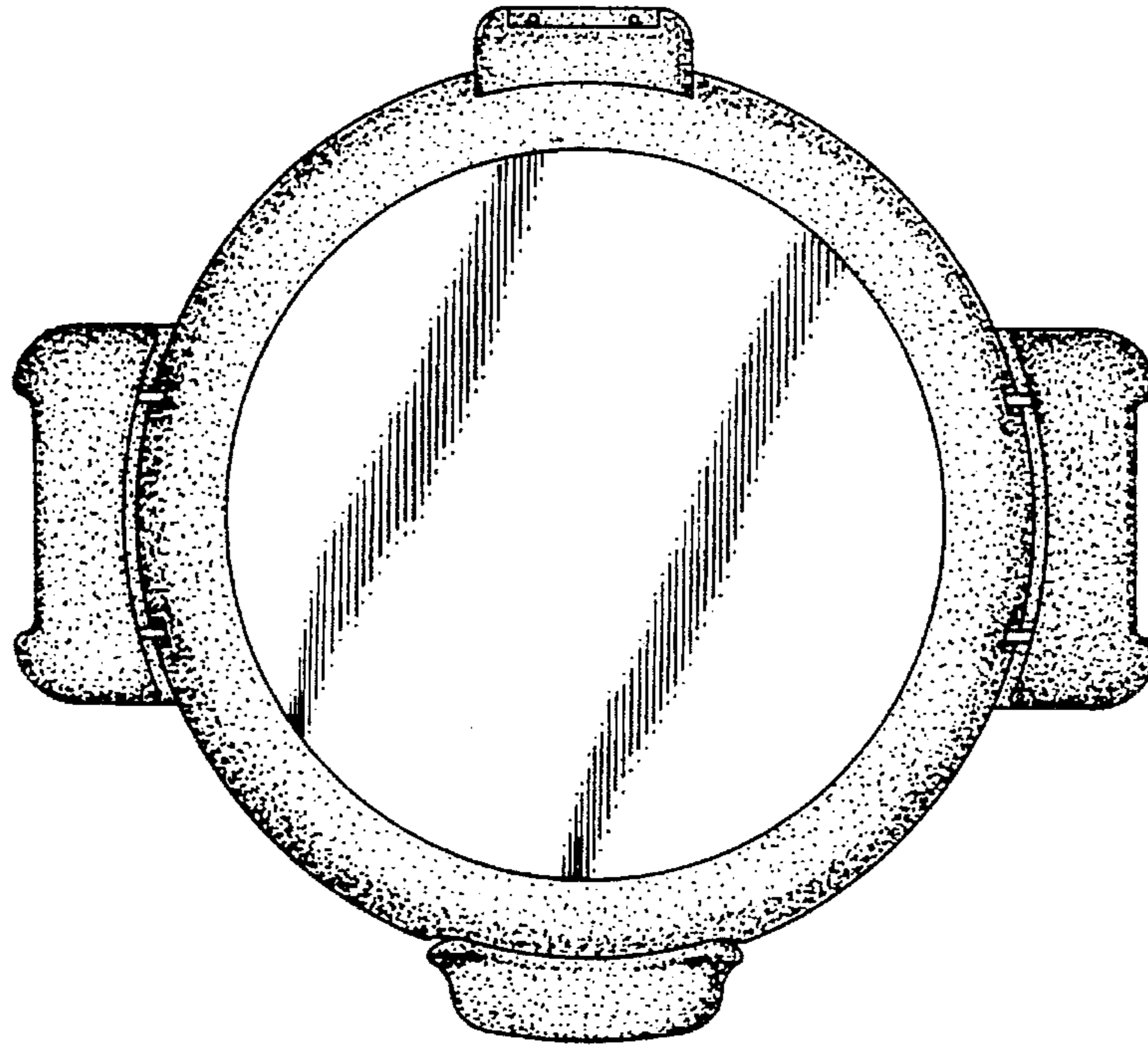


FIG.20

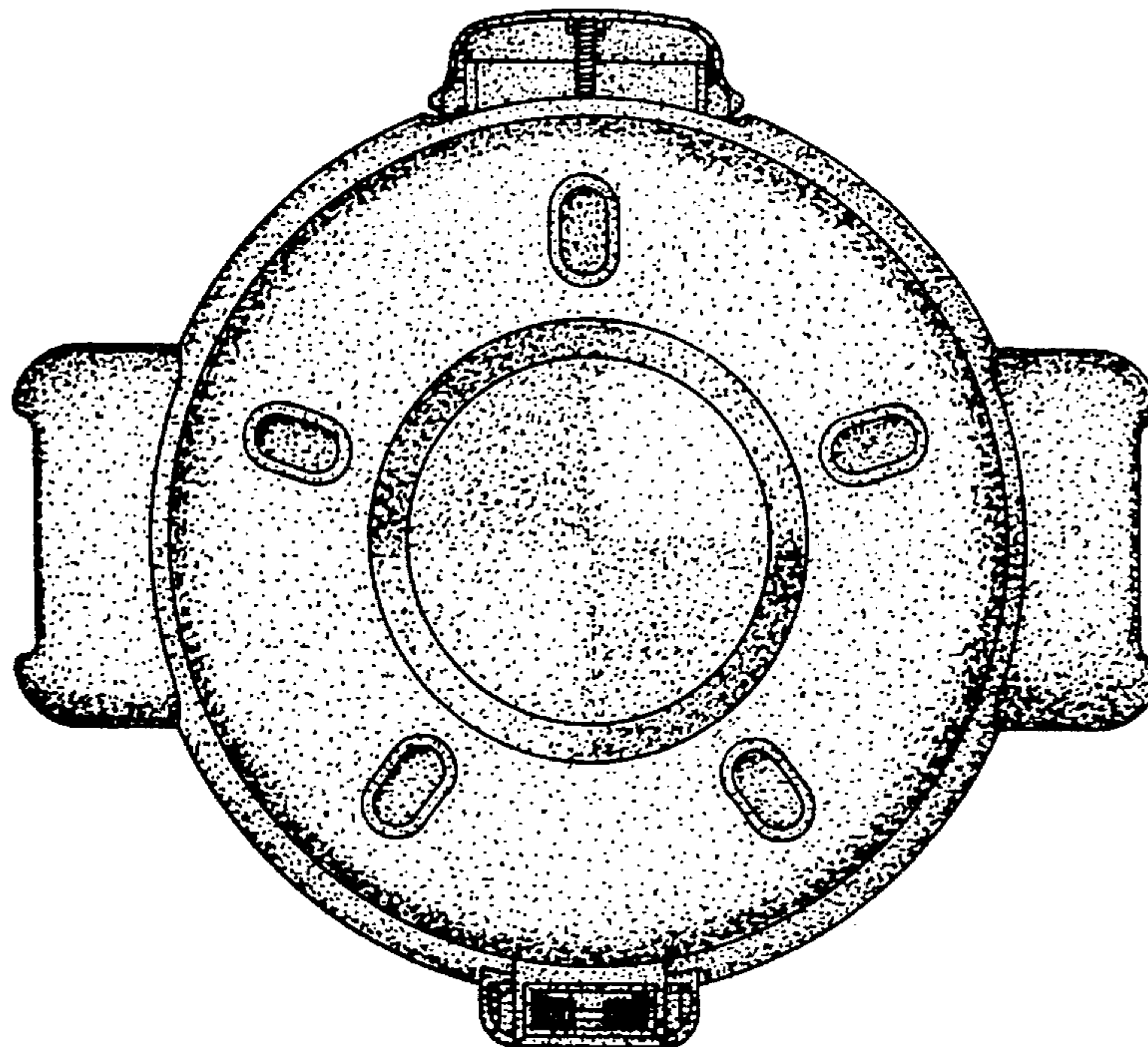


FIG. 21

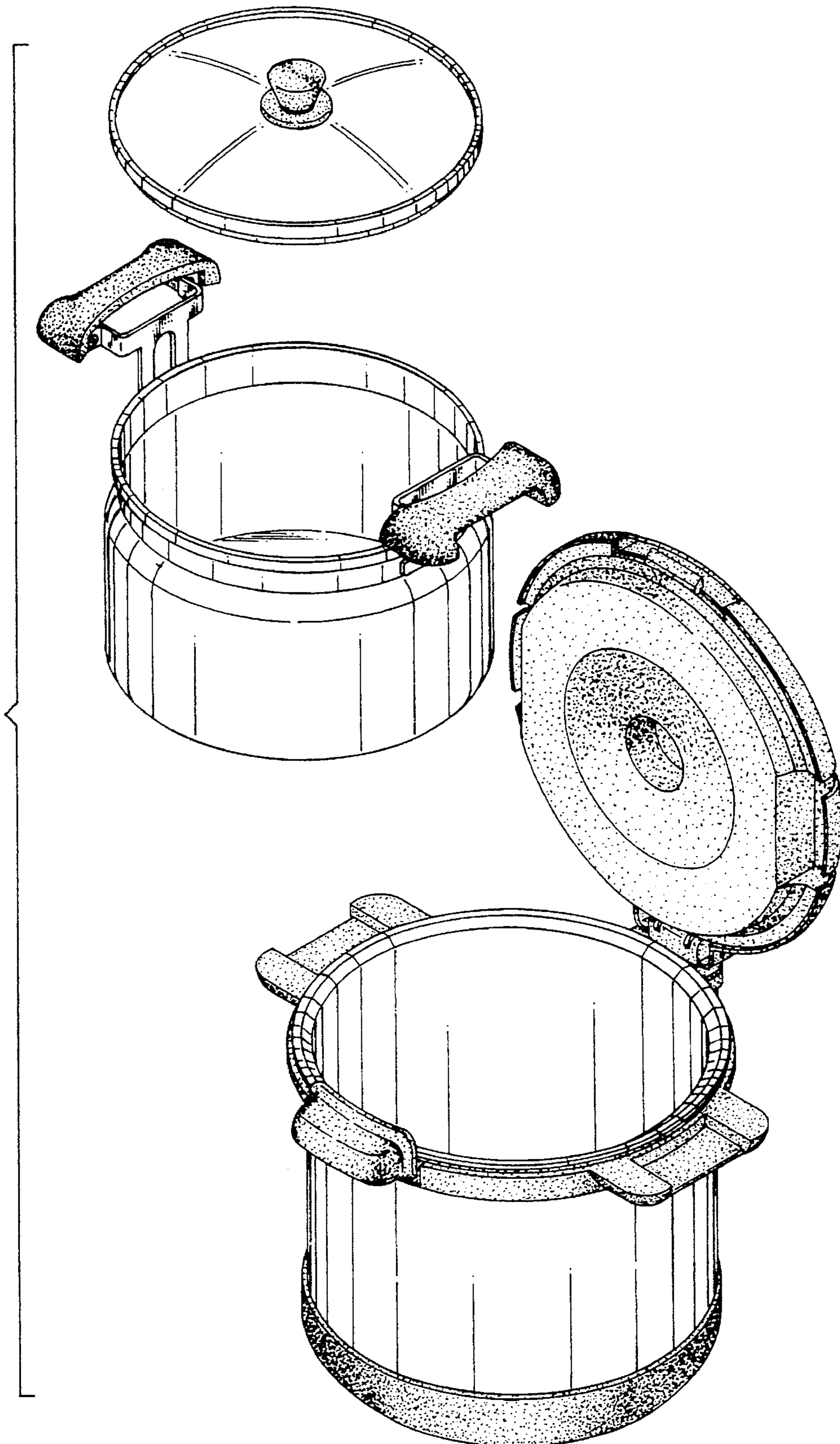


FIG.22

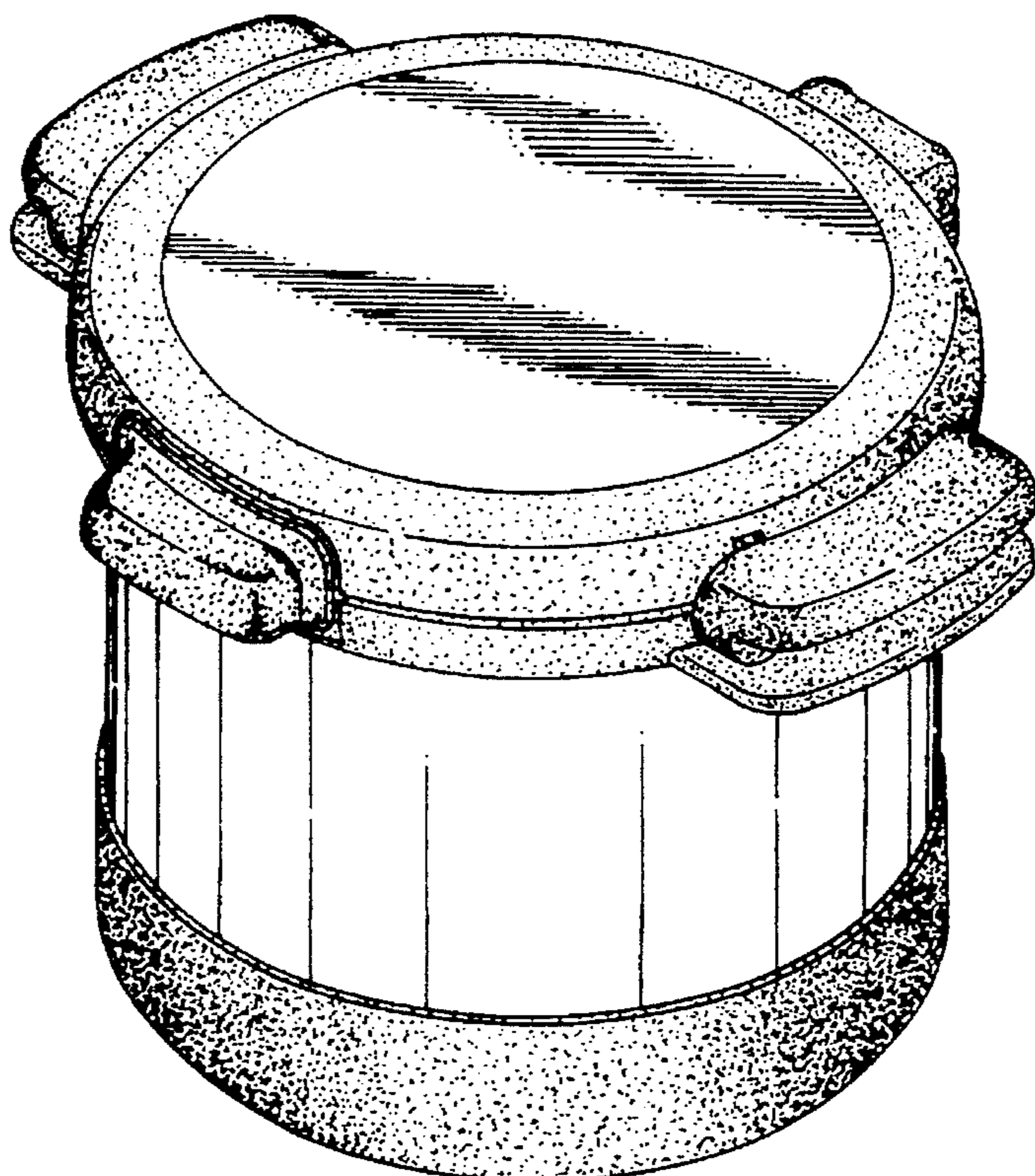


FIG.23

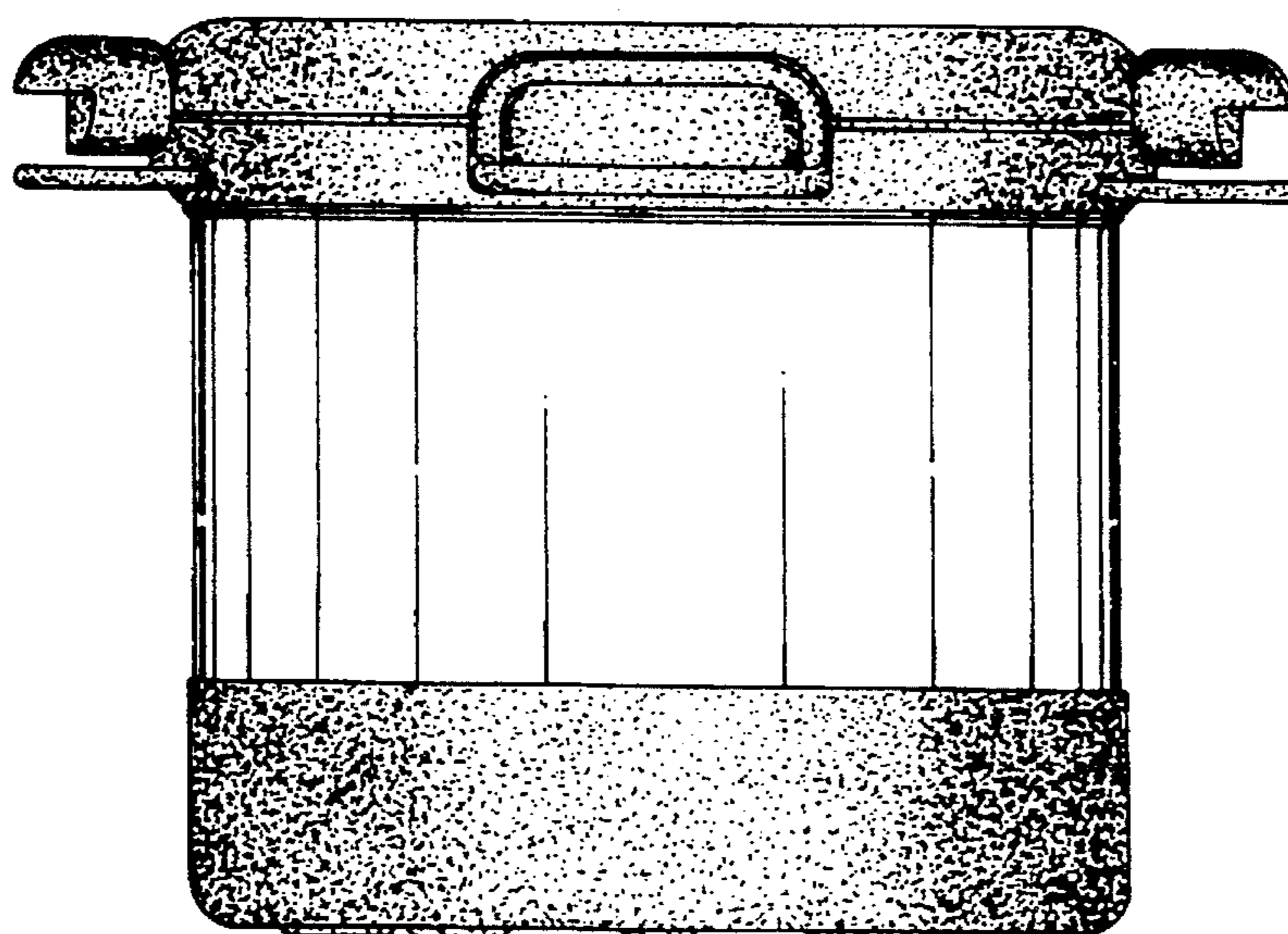


FIG.24

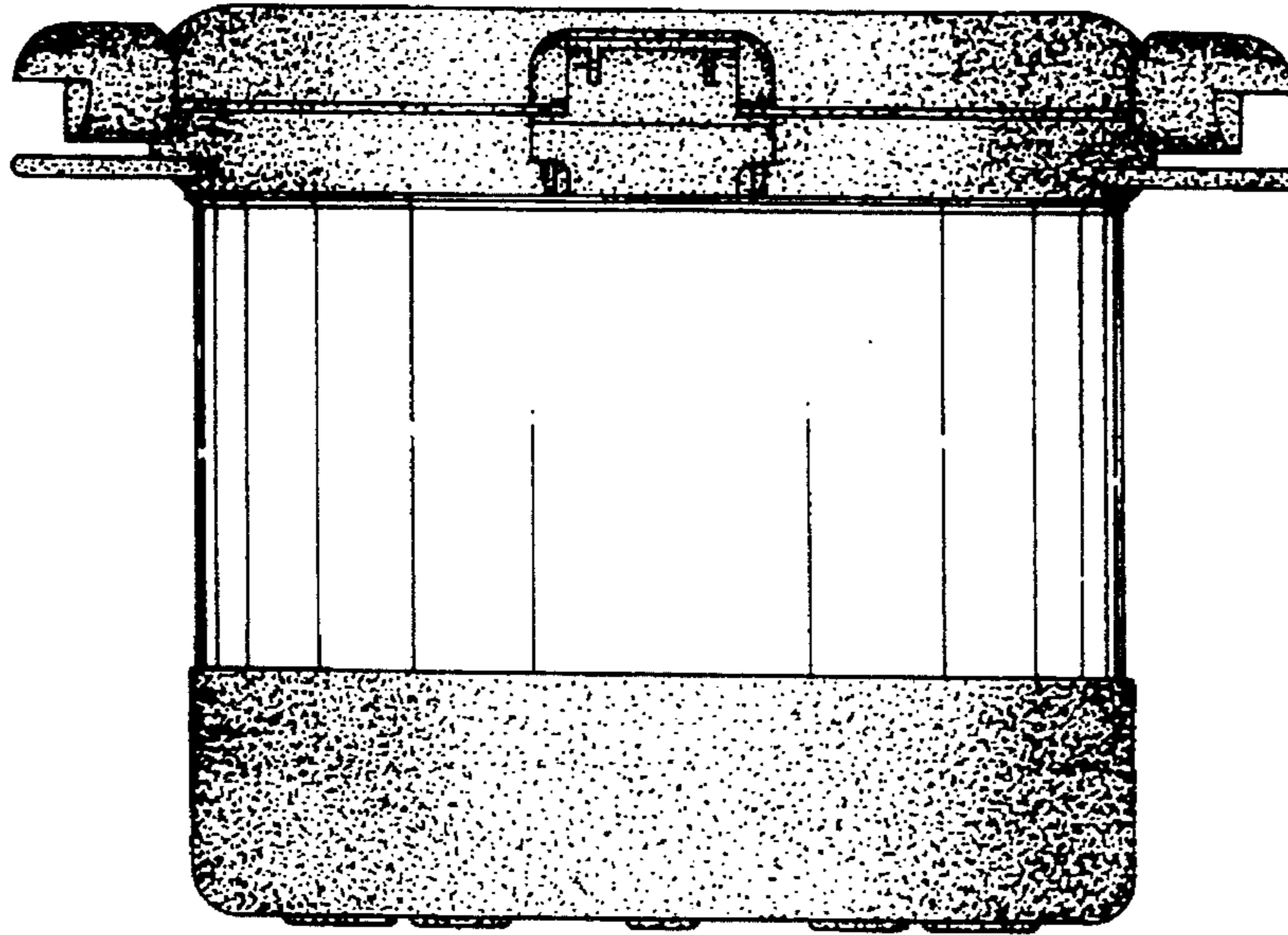


FIG.25

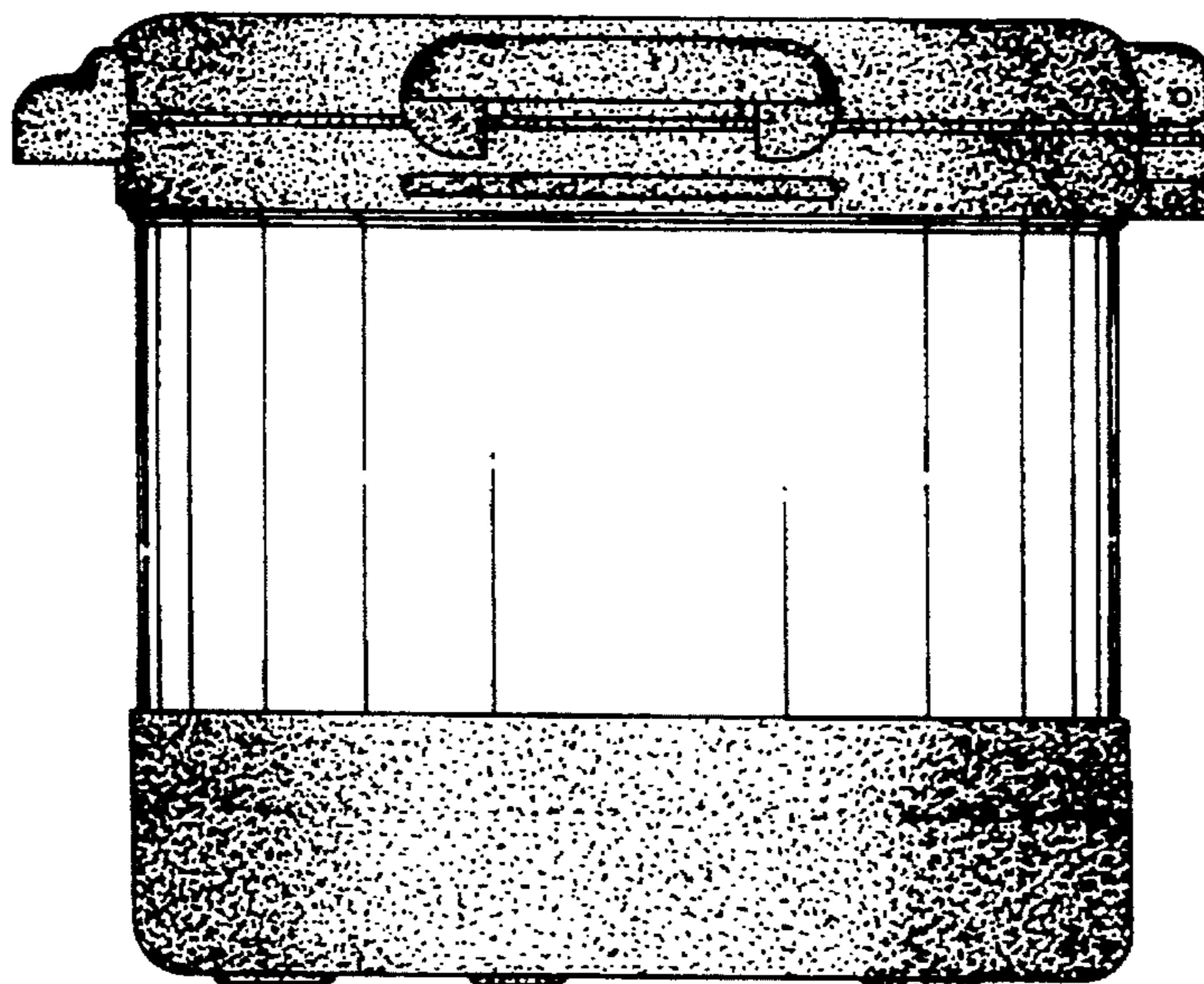


FIG.26

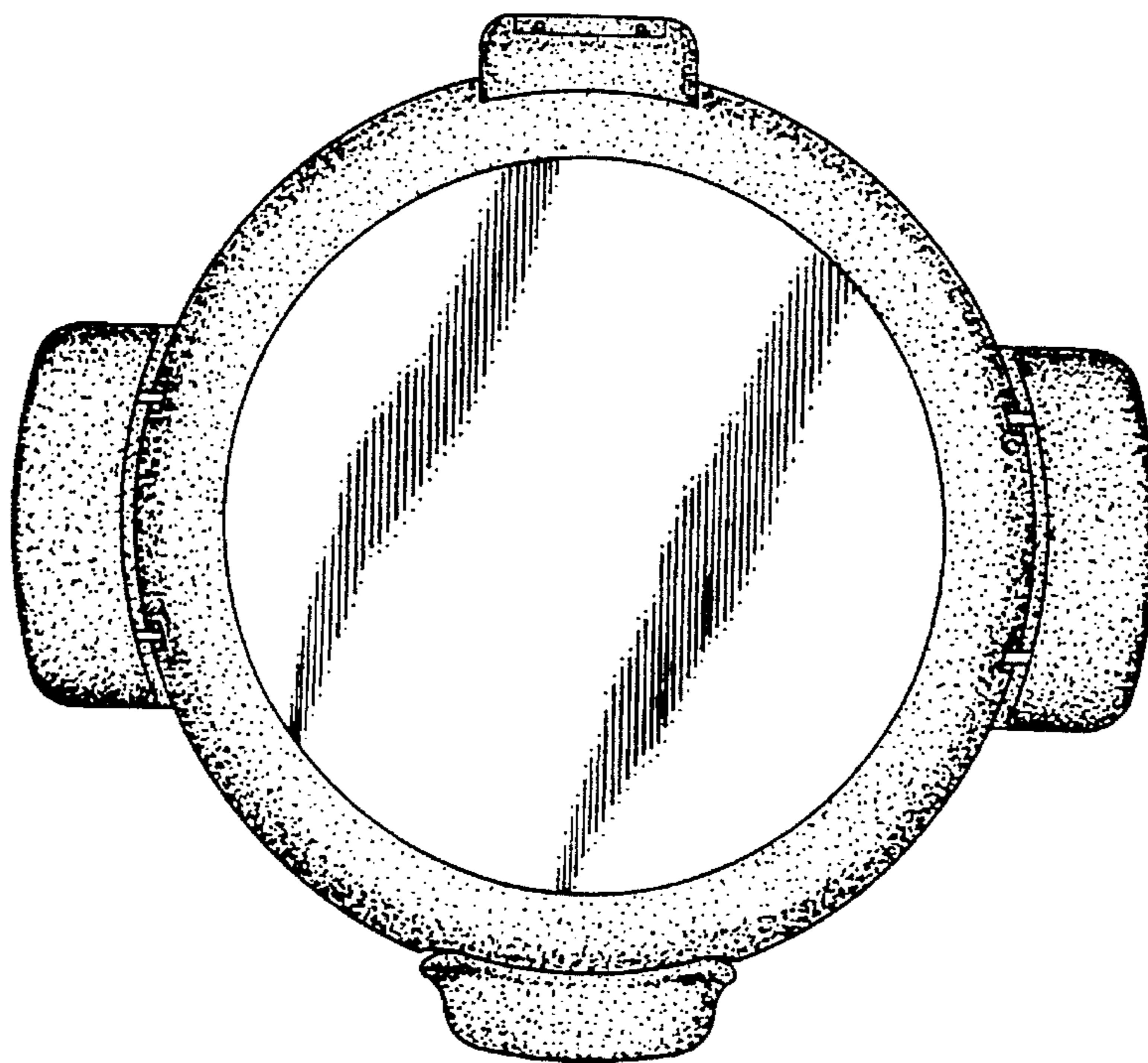


FIG.27

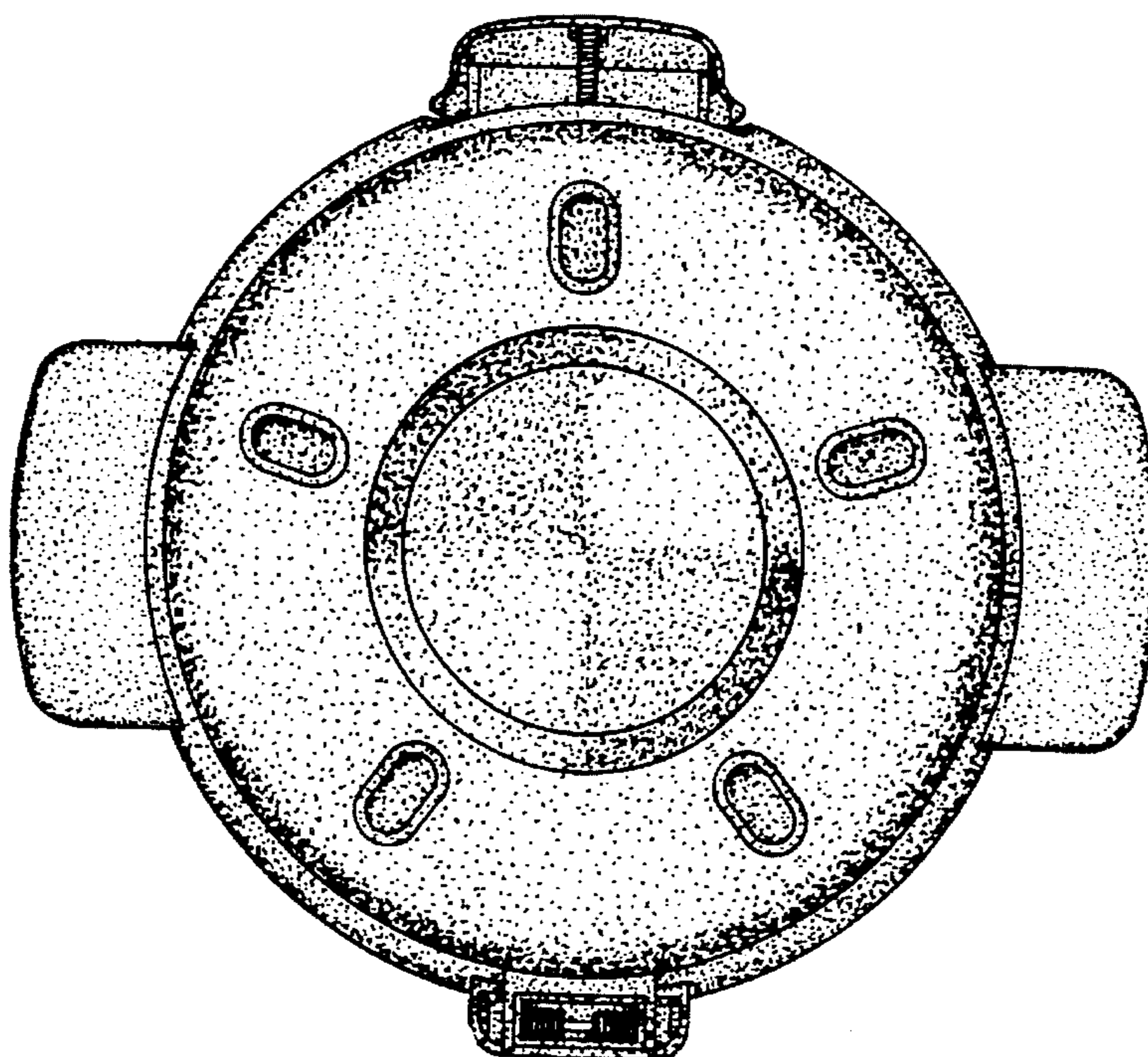




FIG.28

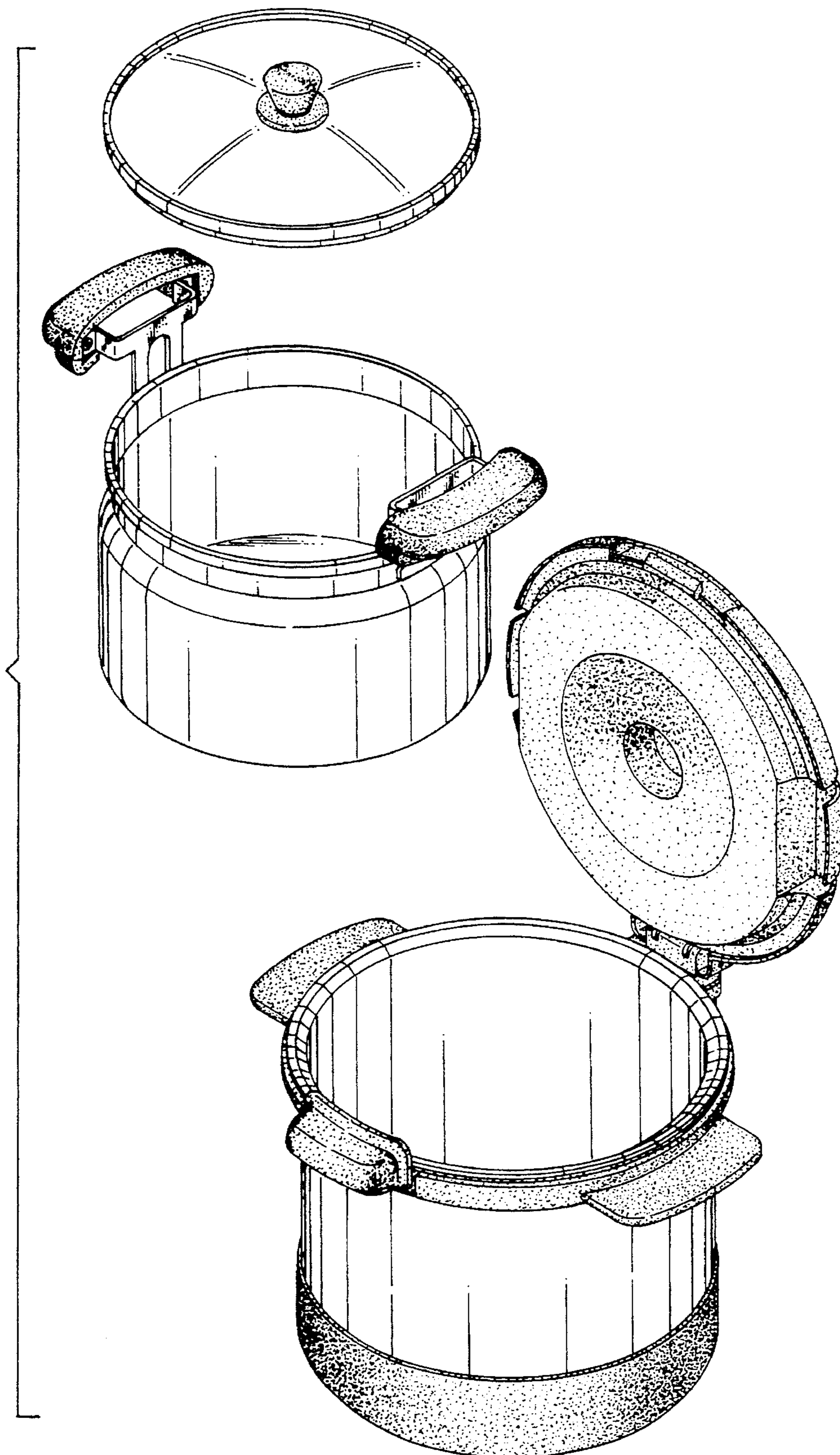


FIG. 29

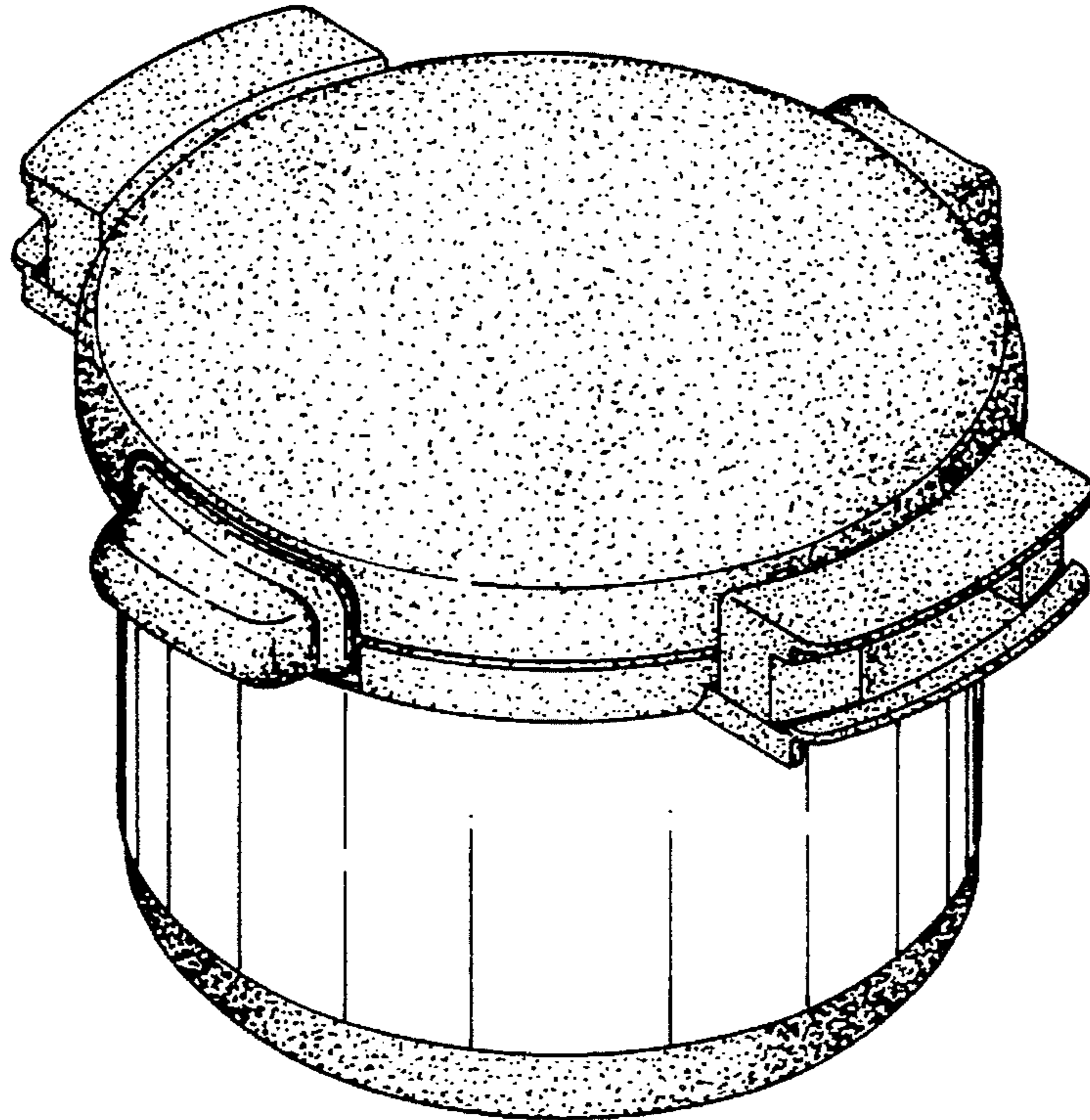


FIG. 30

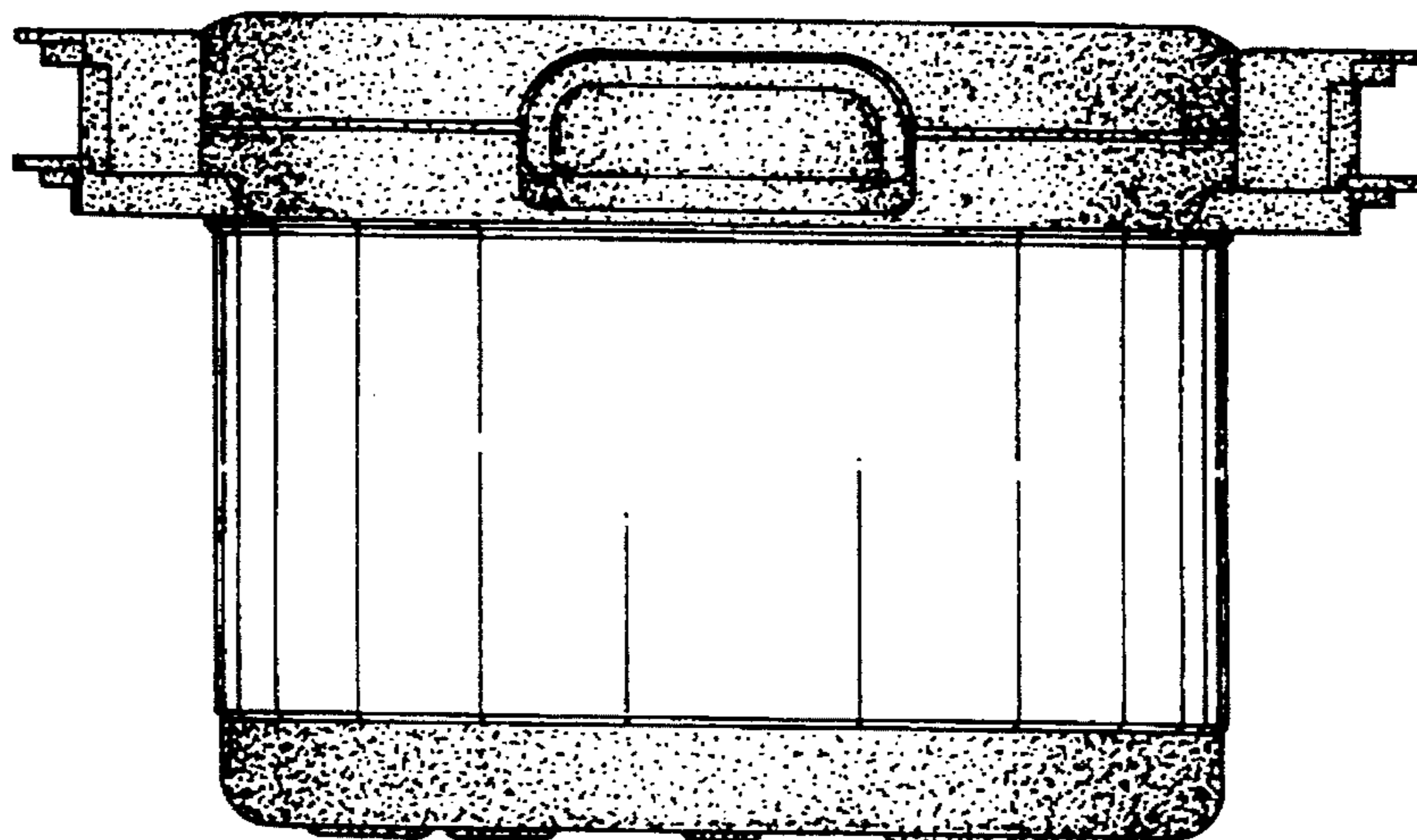


FIG.31

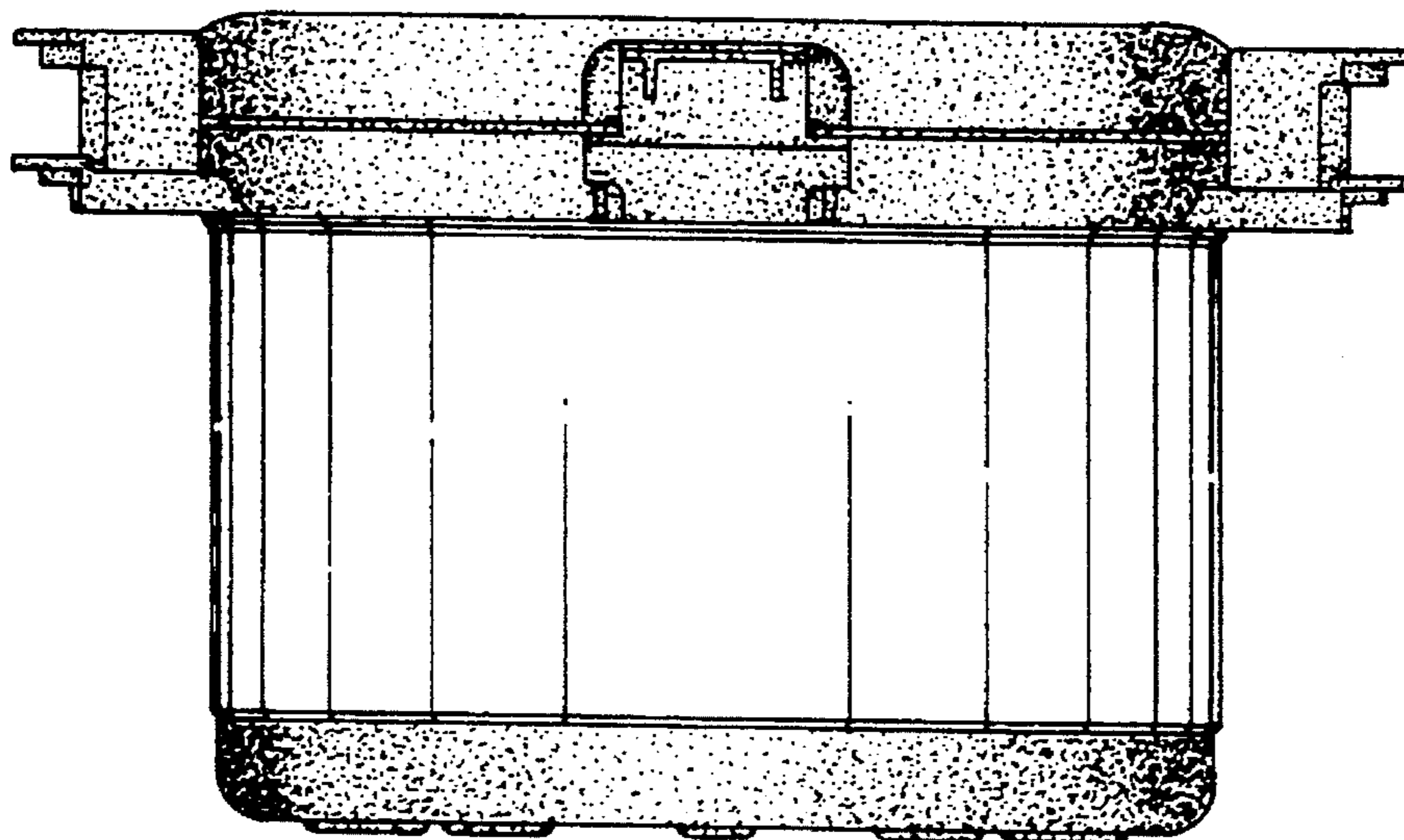


FIG.32

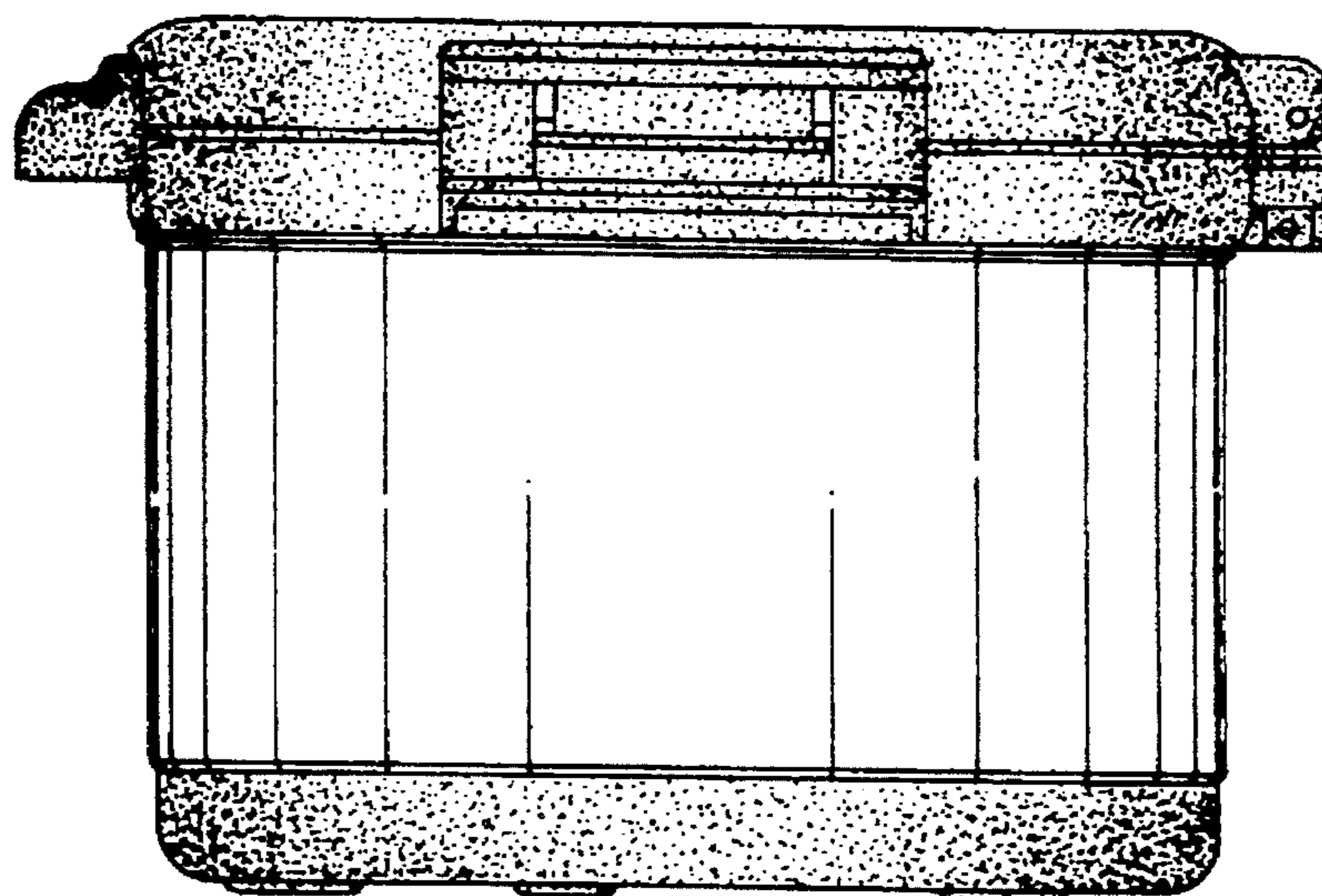


FIG.33

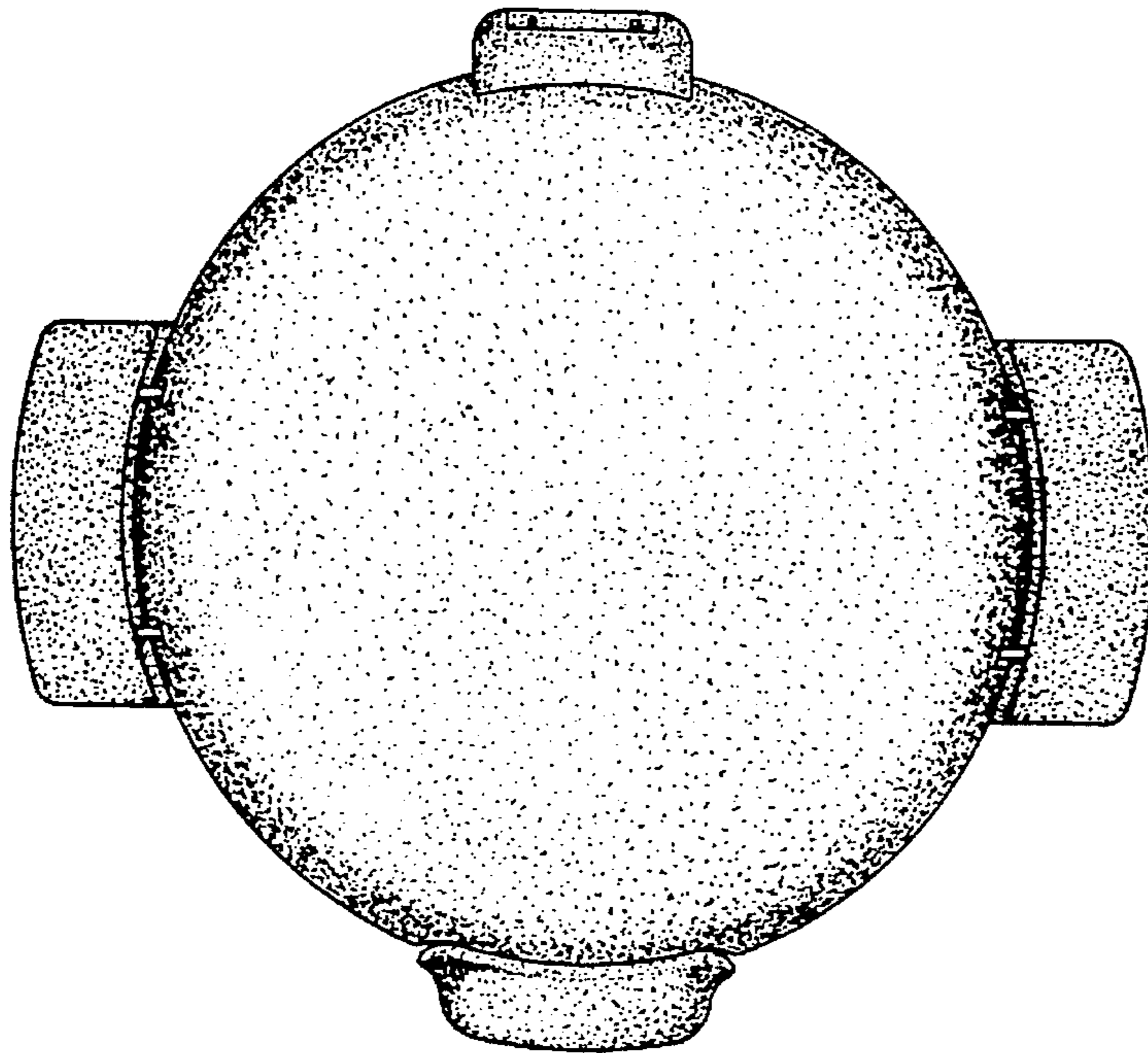


FIG.34

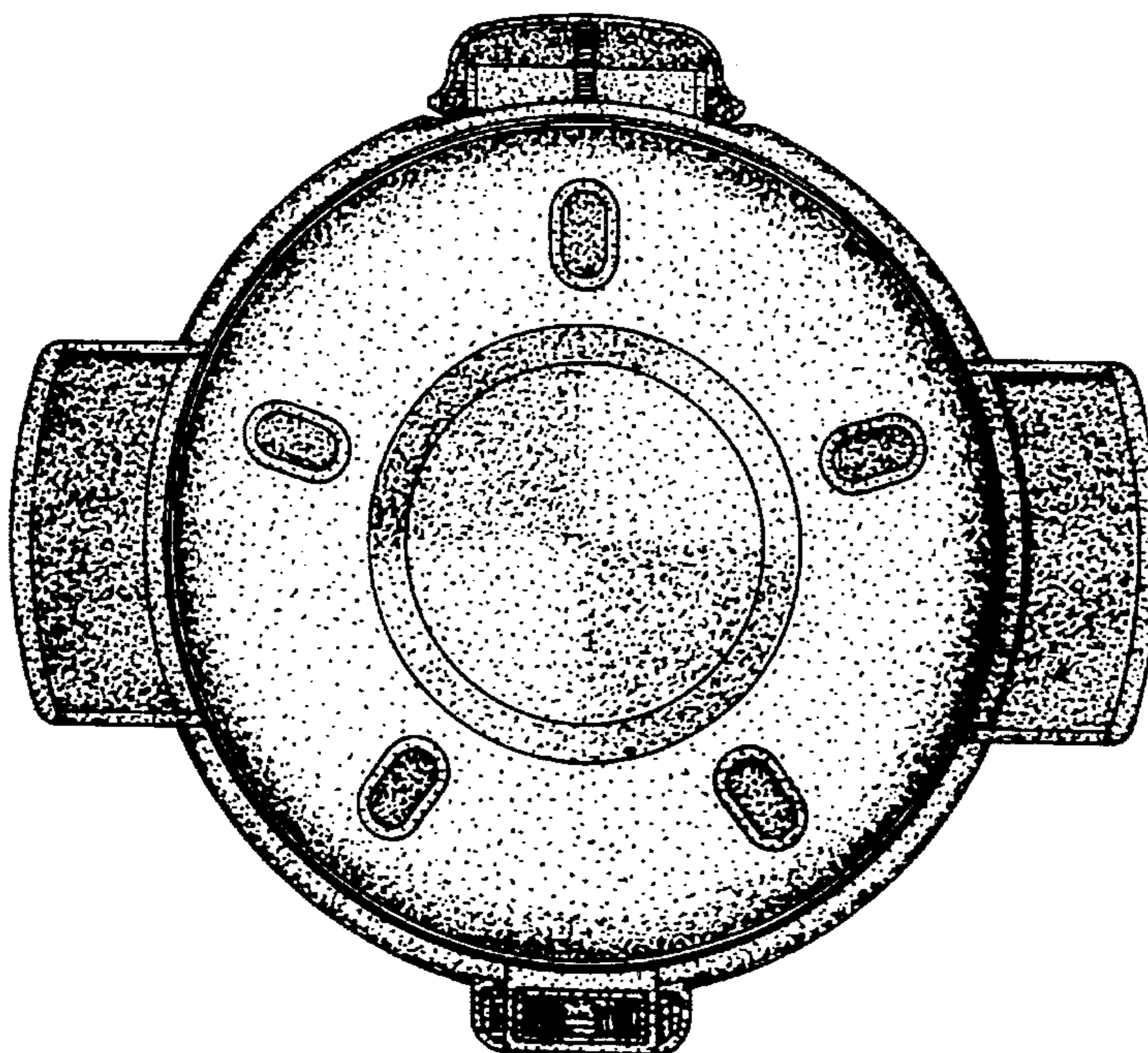


FIG. 35

