



US00D368618S

United States Patent [19]

[11] Patent Number: **Des. 368,618**

Van Hoogmoed

[45] Date of Patent: ****Apr. 9, 1996**

[54] **PORTABLE PROPANE COOKING TRAILER**

[76] Inventor: **Andrew P. Van Hoogmoed**, 1216 Persimmon Way, Merced, Calif. 95340

[**] Term: **14 Years**

[21] Appl. No.: **39,458**

[22] Filed: **May 22, 1995**

[52] U.S. Cl. **D7/334**; 126/276

[58] Field of Search D7/334; 126/276; D12/101, 102, 105; 99/403, 385, 402

[56] References Cited

U.S. PATENT DOCUMENTS

D. 218,654	9/1970	Moncrief	D7/334
D. 223,065	7/1972	Turner	D7/334
D. 251,230	3/1979	Adams	D7/334
D. 253,695	12/1979	Simmons	D12/22
D. 265,374	7/1982	Hamilton	D7/334
D. 294,474	3/1988	Pellenz	D12/102
D. 334,687	4/1993	Gongwer	D7/334
1,375,121	4/1921	Swartzbaugh	296/22
3,073,646	1/1963	Garrison	296/22
3,696,803	10/1972	Holloway	126/276
3,991,739	11/1976	Hoffman	126/276 X

4,086,849	5/1978	Simmons	99/357
4,108,055	8/1978	Simmons	99/421 H
4,364,310	11/1980	Rufkahr	126/276
4,757,755	7/1988	Sarten	126/276 X
4,842,316	6/1989	Lerma, Jr. et al.	296/22
4,848,316	7/1989	Beller	126/276
5,255,664	10/1993	Gurlicci	126/276

Primary Examiner—Louis S. Zarfaz
Assistant Examiner—Frank Martinez
Attorney, Agent, or Firm—Richard C. Litman

[57] CLAIM

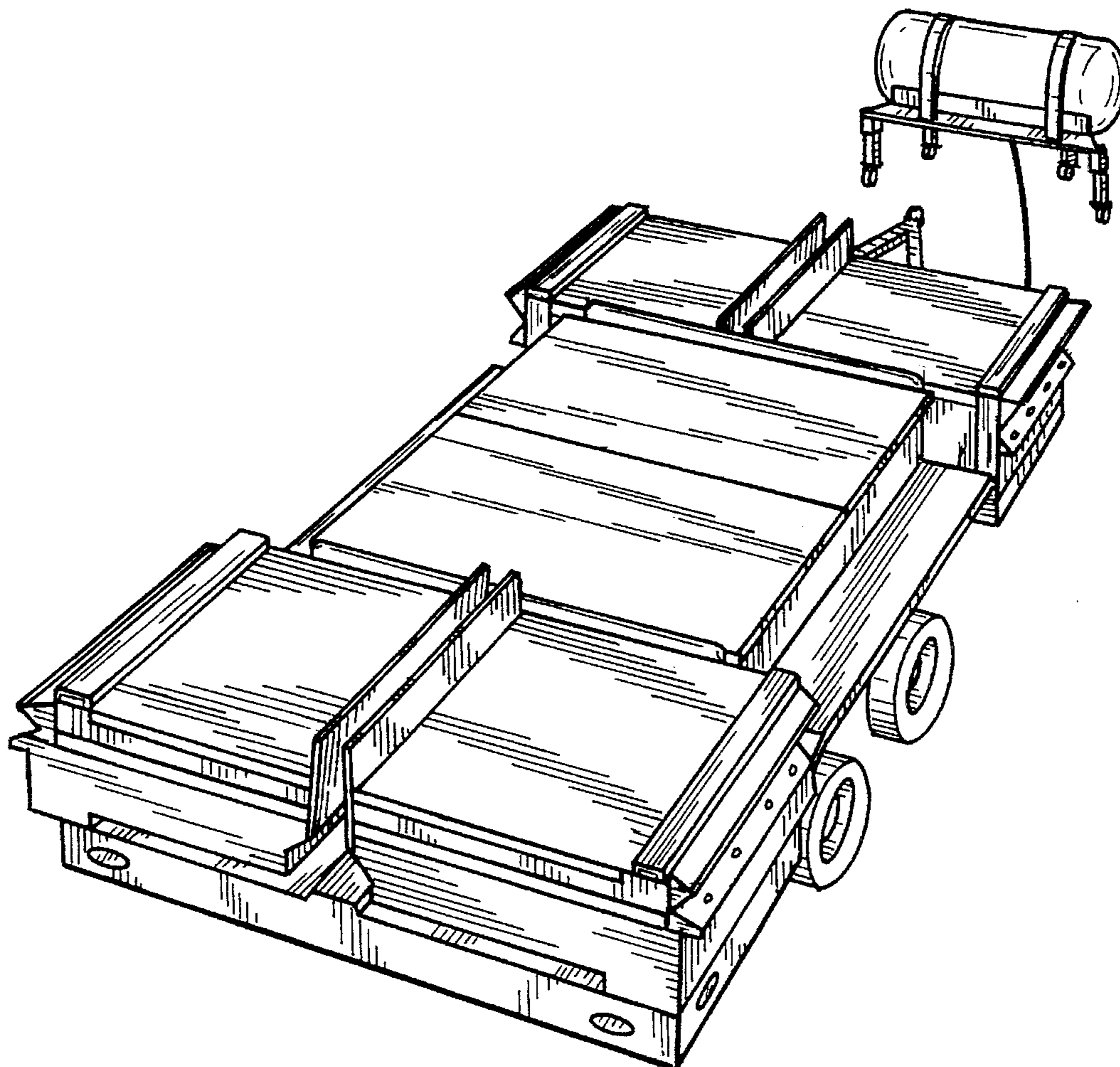
The ornamental design for a portable propane cooking trailer, as shown and described.

DESCRIPTION

FIG. 1 is a perspective view of a portable propane cooking trailer showing my new design in a position of use; FIG. 2 is a front elevational view thereof; FIG. 3 is a rear elevational view thereof; FIG. 4 is a top view thereof; and, FIG. 5 is a right side elevational view with the left side being a mirror image thereof.

The undisclosed bottom is plain and unornamented.

1 Claim, 2 Drawing Sheets



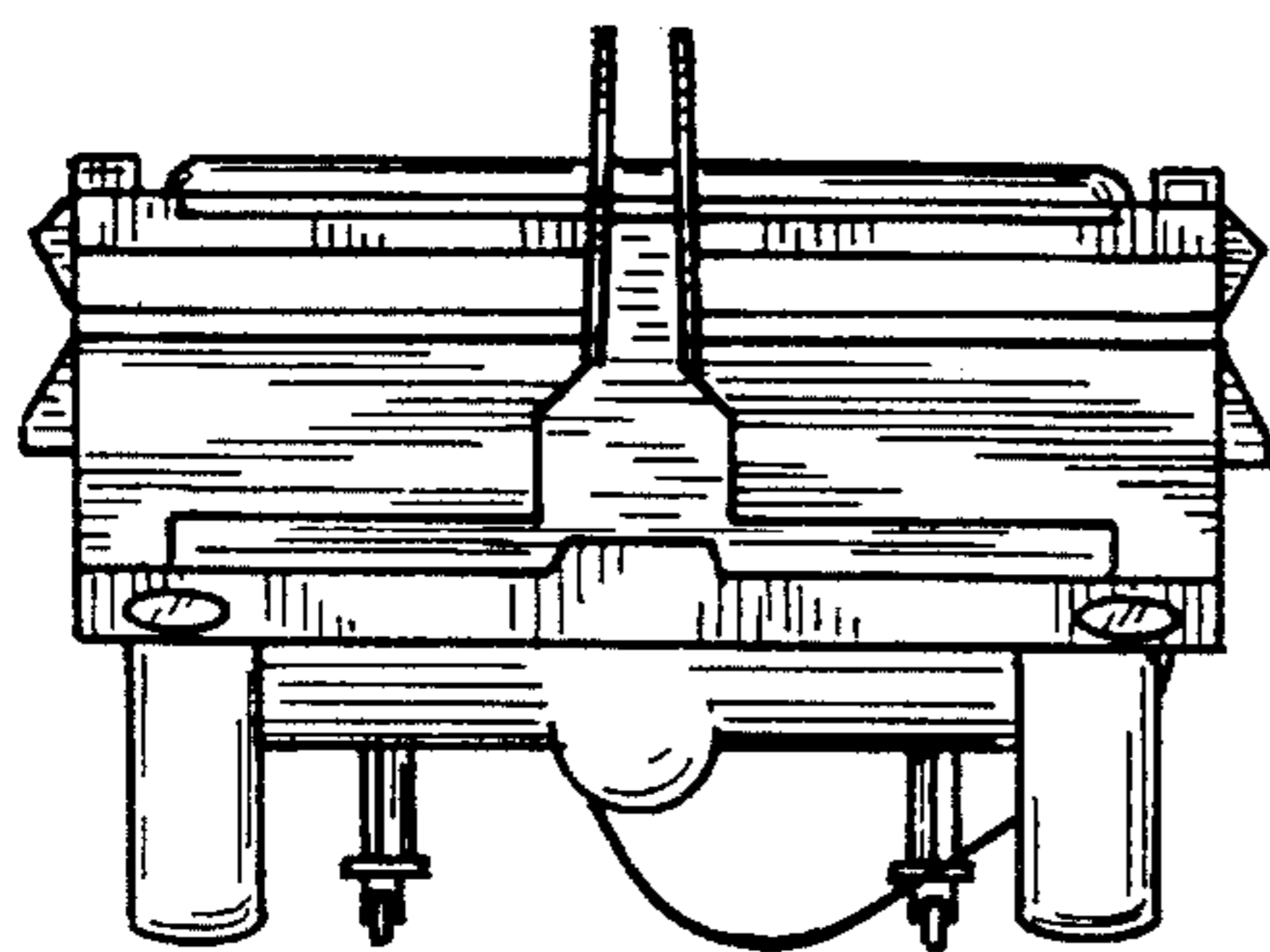
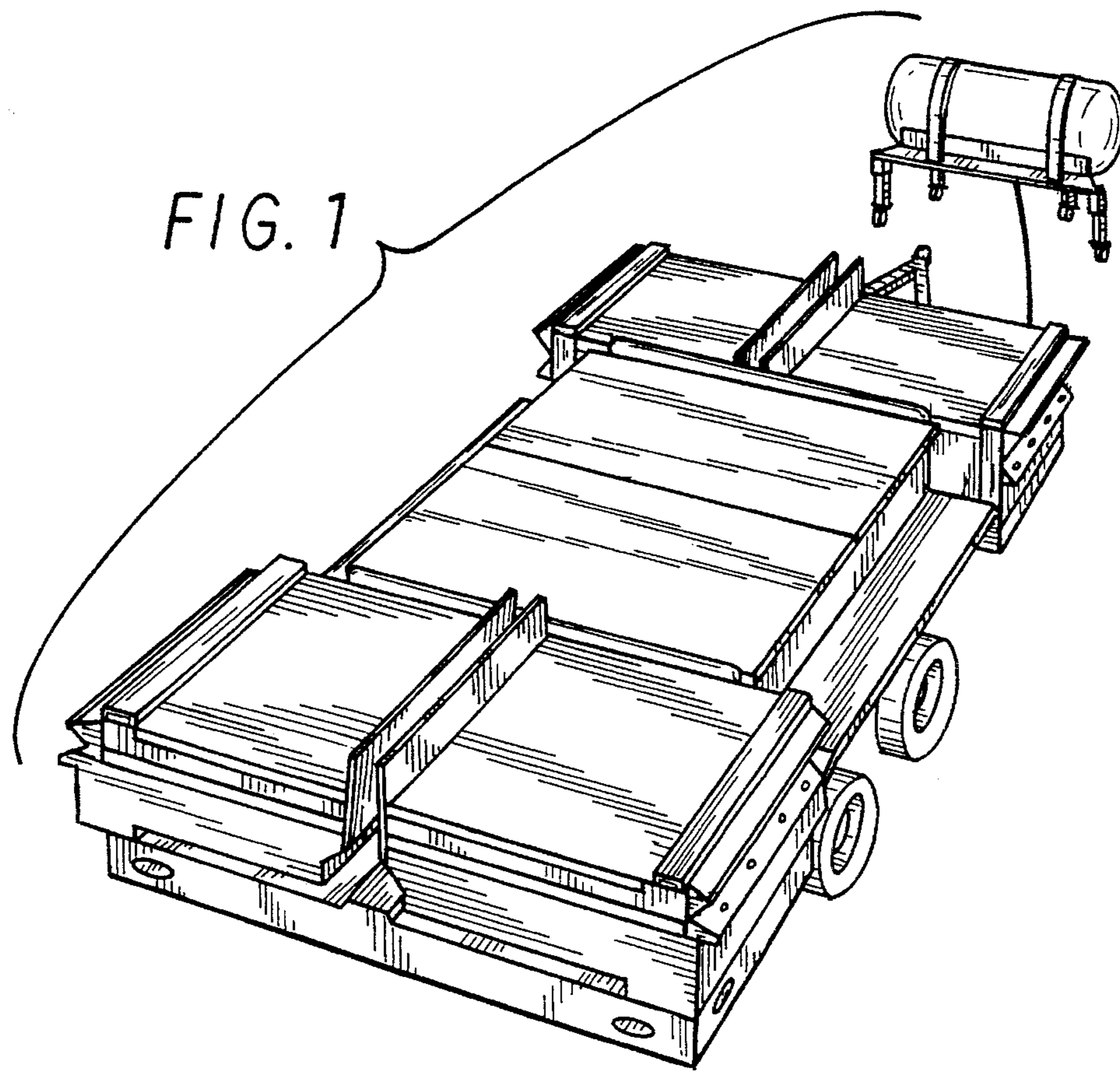


FIG. 3

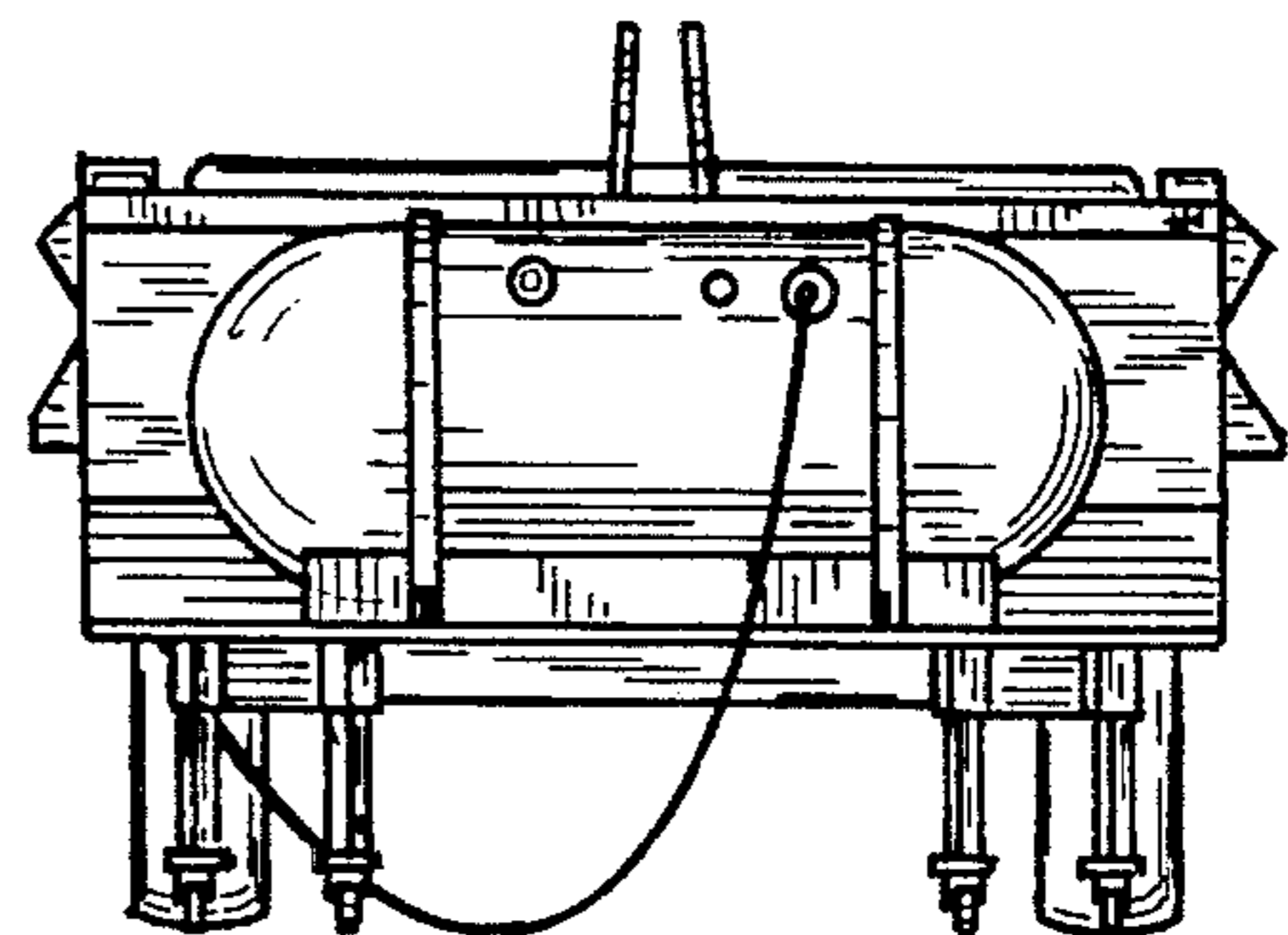


FIG. 2

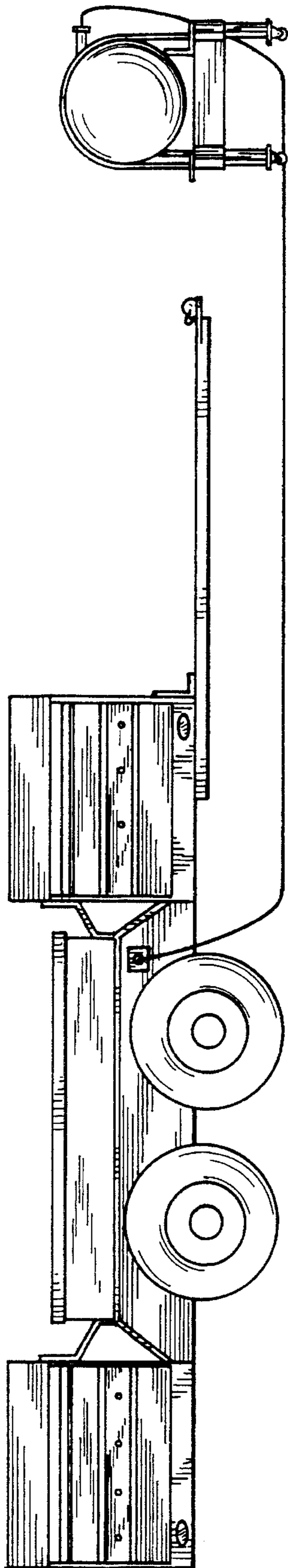


FIG. 5

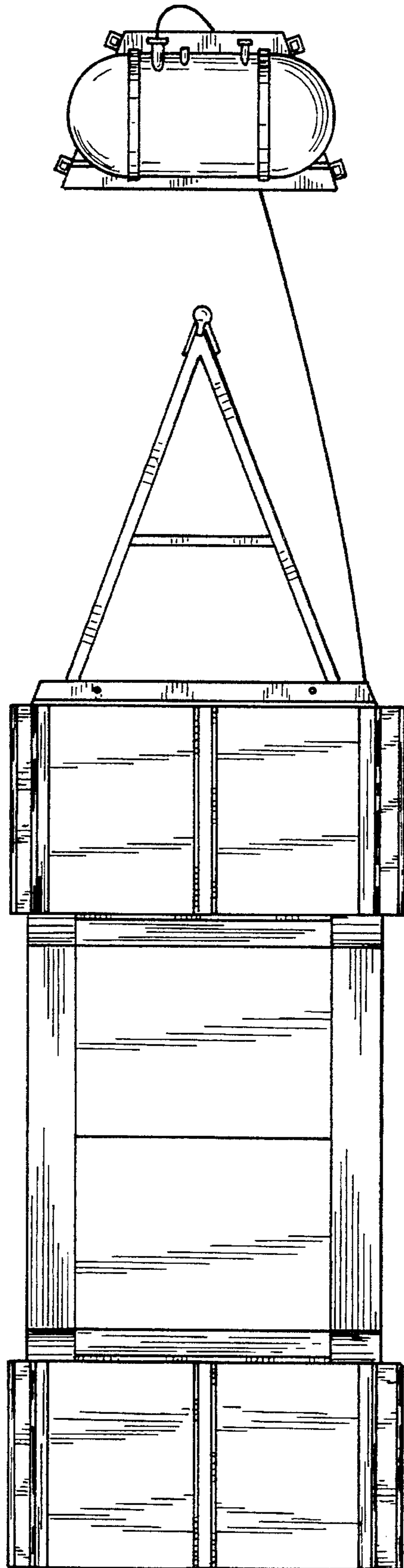


FIG. 4