



US00D368617S

United States Patent [19]
Jackson et al.

[11] **Patent Number: Des. 368,617**
[45] **Date of Patent: **Apr. 9, 1996**

[54] **ICE-BEVERAGE DISPENSER**
[75] Inventors: **Theresa M. Jackson**, Smyrna, Ga.;
Kenneth J. Emody, Carol Stream;
Dusan Ivancevic, Addison, both of Ill.
[73] Assignee: **The Coca-Cola Company**, Atlanta, Ga.
[**] Term: **14 Years**
[21] Appl. No.: **34,876**
[22] Filed: **Feb. 15, 1995**
[52] U.S. Cl. **D7/308; D7/307**
[58] **Field of Search** **D7/309, 310, 311,**
D7/300, 305, 306, 307, 308, 312, 313;
222/78, 185.1, 129.1, 129.2, 129.3, 129.4

D. 346,088 4/1994 Schroeder D7/306 X
4,658,872 4/1987 Ellis D7/308 X
5,058,773 10/1991 Brill et al. 222/129.4
5,141,130 8/1992 Wiley et al. 222/129.1 X
5,419,461 5/1995 Goulet 222/129.1

Primary Examiner—M. N. Pandozzi
Attorney, Agent, or Firm—Thomas R. Boston

[57] **CLAIM**

The ornamental design for an ice-beverage dispenser, as shown.

DESCRIPTION

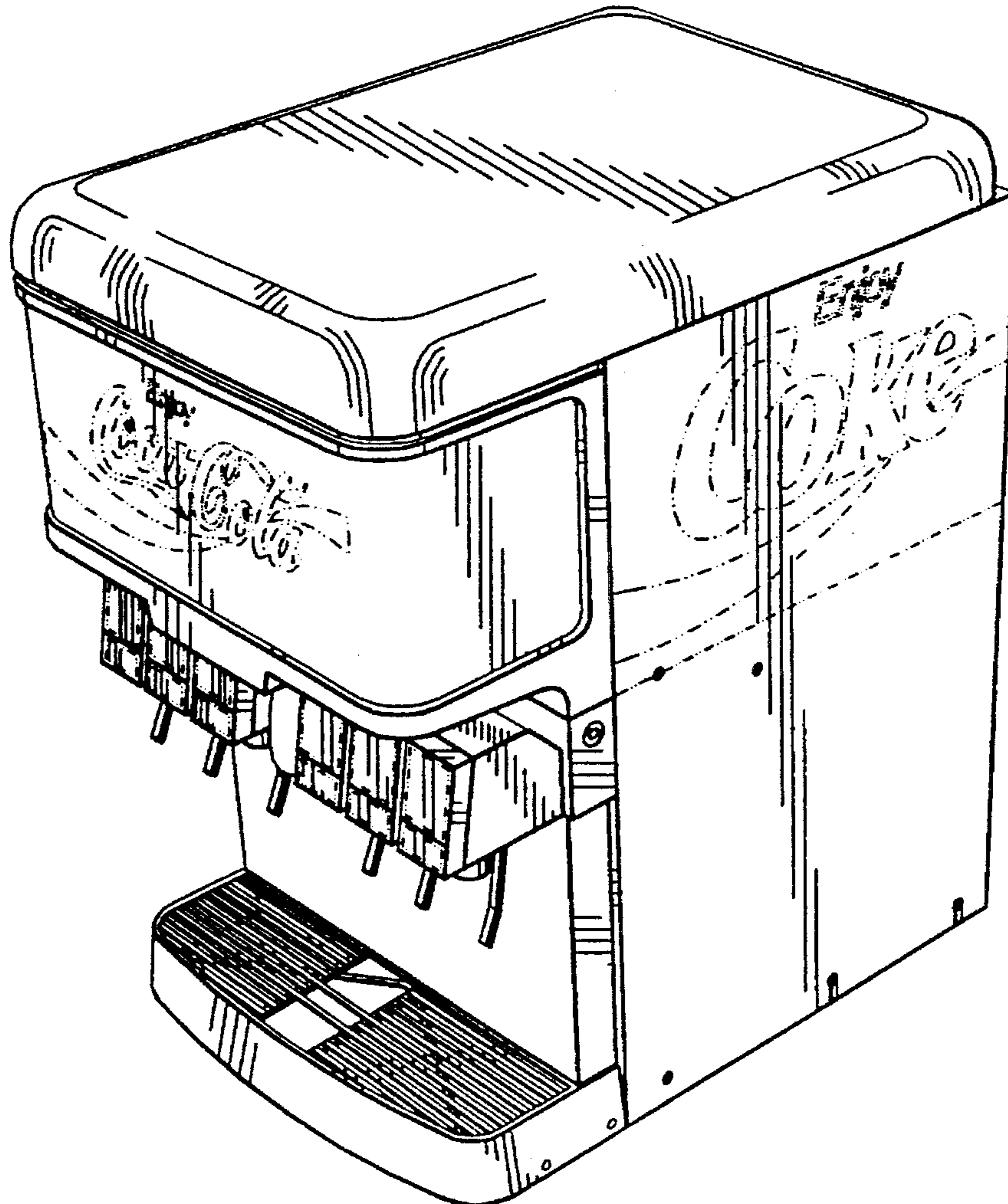
FIG. 1 is a top front, right side perspective view of the ice-beverage dispenser of this invention; FIG. 2 is a front elevation view of the dispenser of FIG. 1; FIG. 3 is a right side elevation view of the dispenser of FIG. 1; FIG. 4 is a left side elevation view of the dispenser of FIG. 1; FIG. 5 is a rear elevation view of the dispenser of FIG. 1; FIG. 6 is a top plan view of the dispenser of FIG. 1; and, FIG. 7 is a bottom plan view of the dispenser of FIG. 1.

[56] **References Cited**

U.S. PATENT DOCUMENTS

D. 260,996 9/1981 Cornett .
D. 266,519 12/1986 Wolfe D7/308
D. 302,369 7/1989 Schechter et al. .
D. 312,021 11/1990 Mohat .

1 Claim, 4 Drawing Sheets



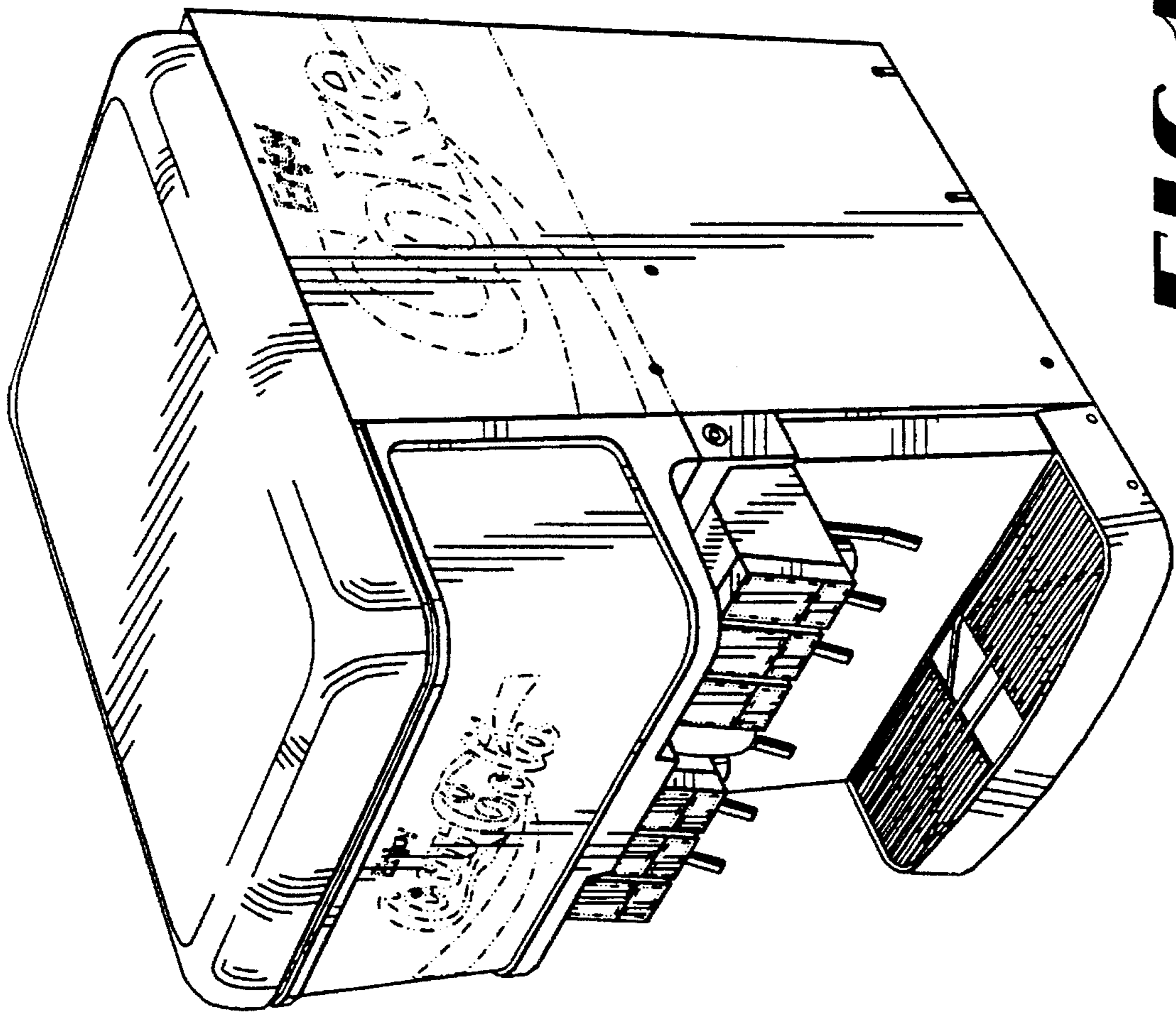


FIG 1

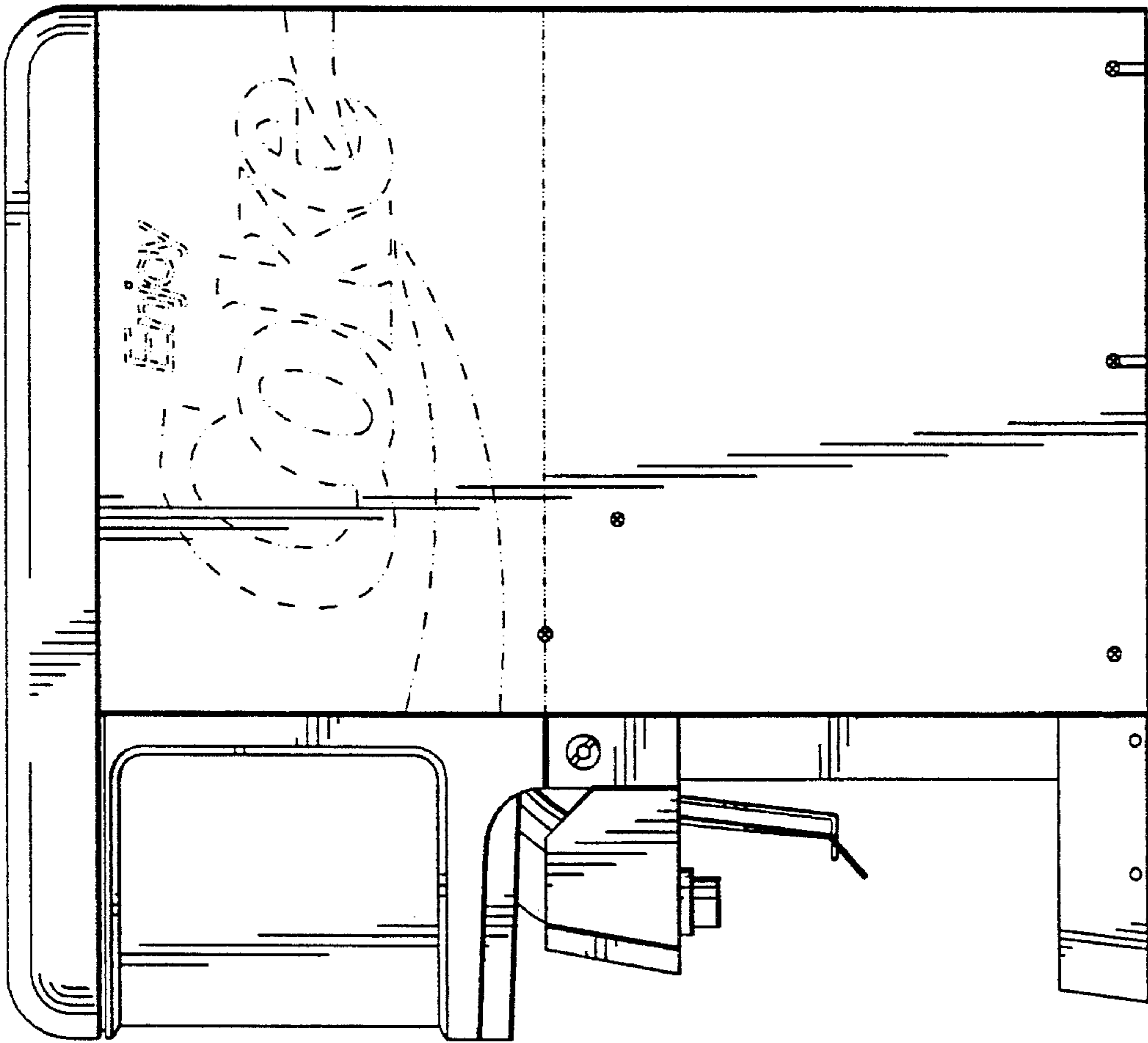


FIG 3

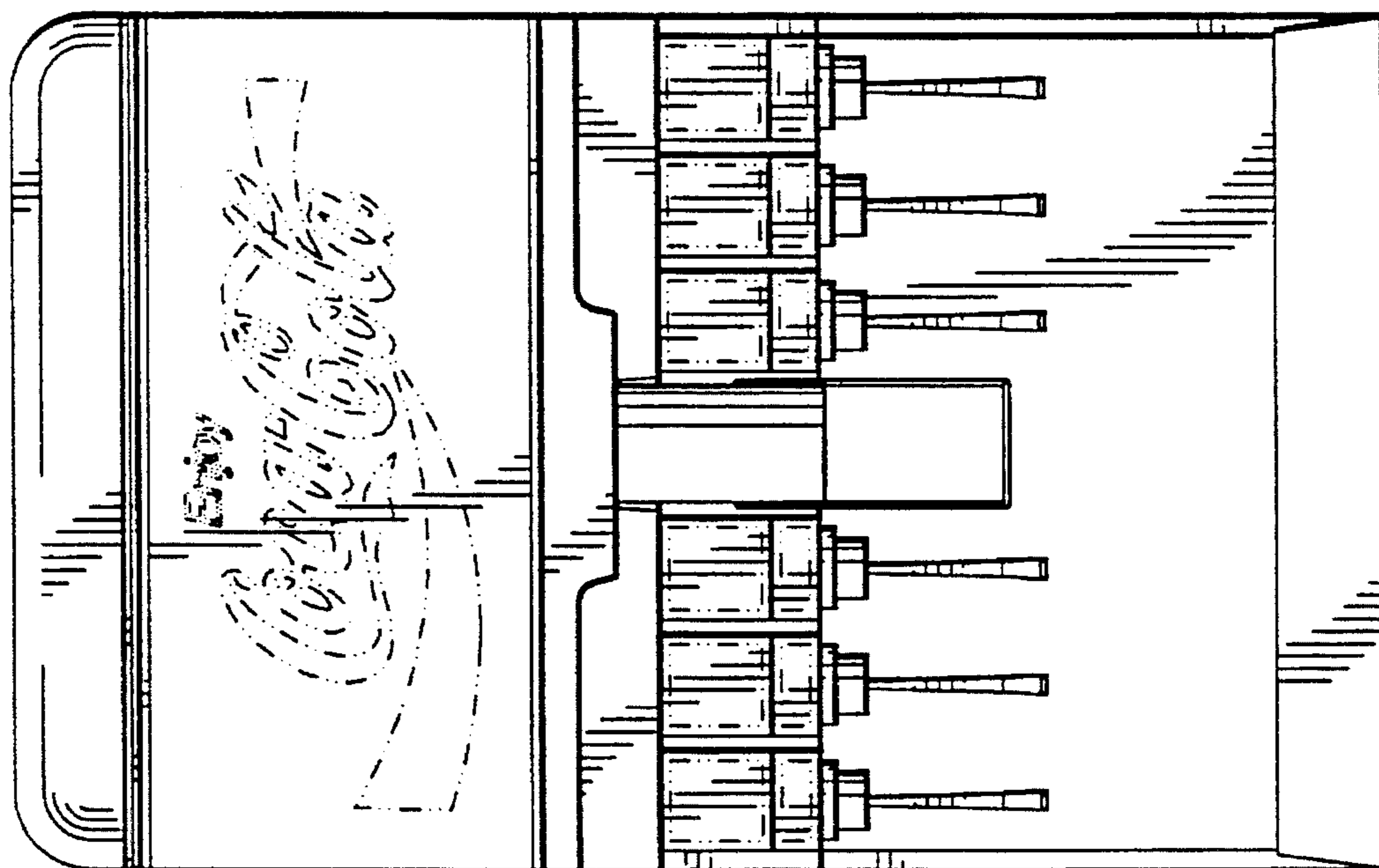


FIG 2

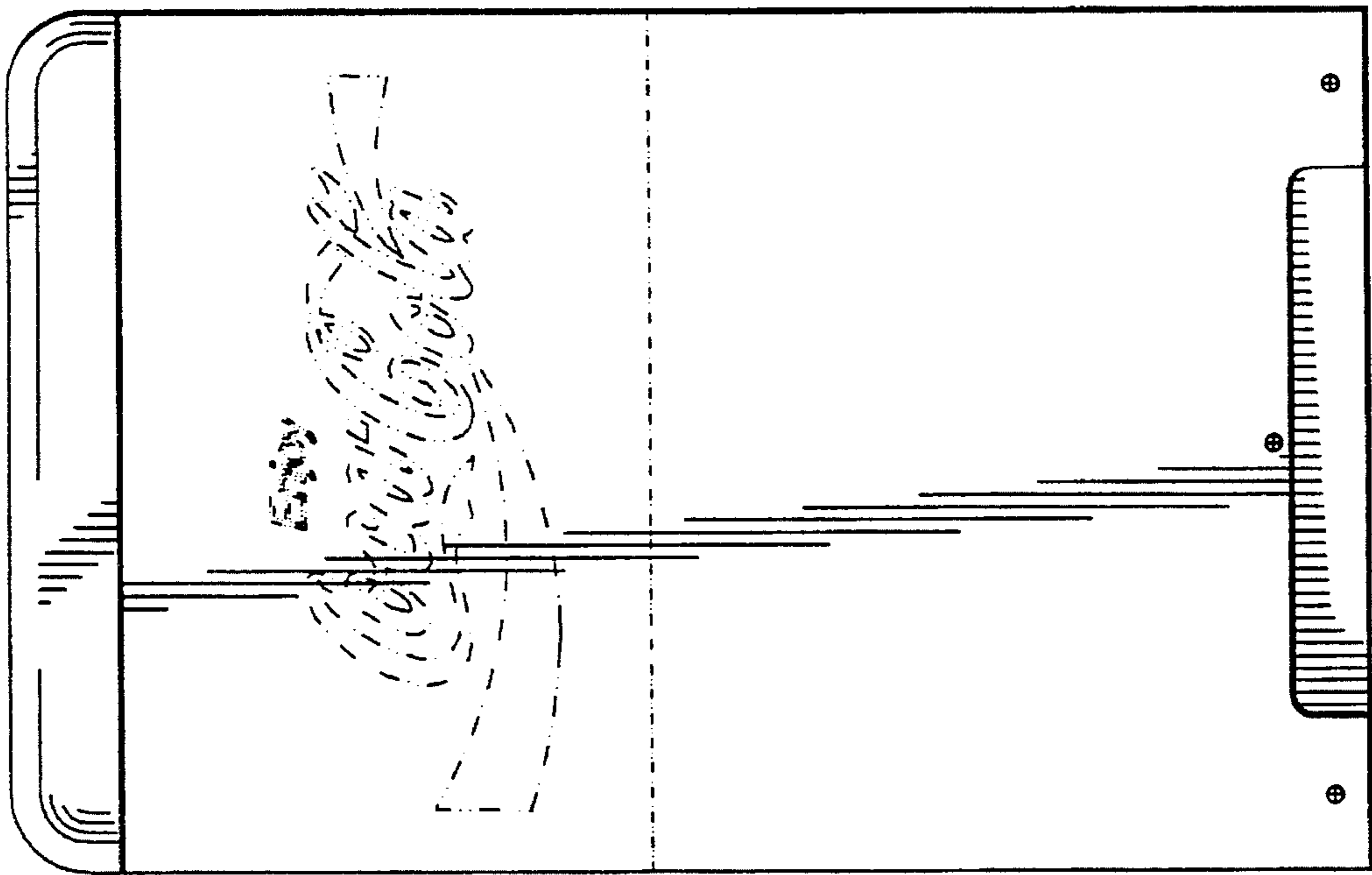


FIG 5

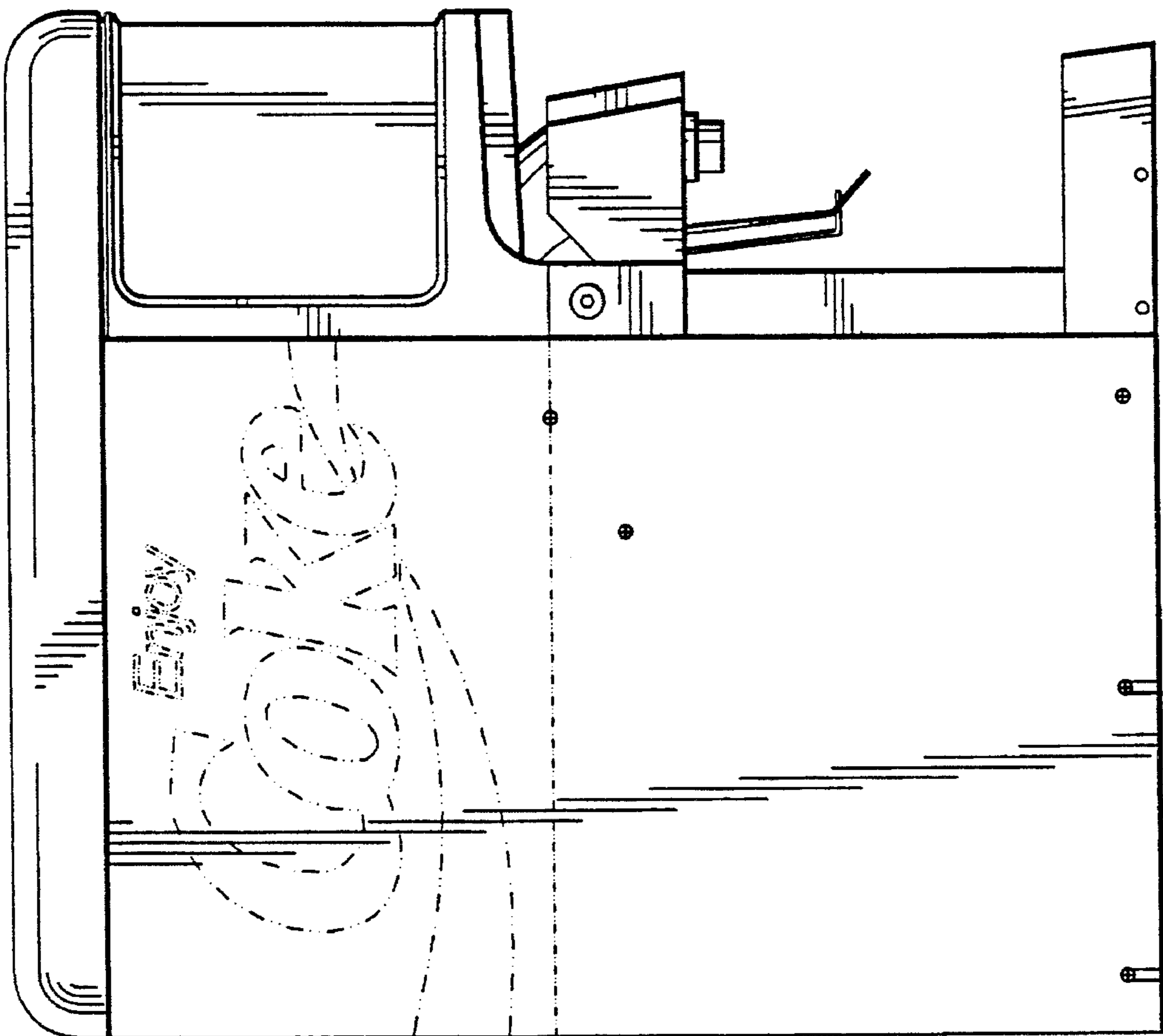


FIG 4

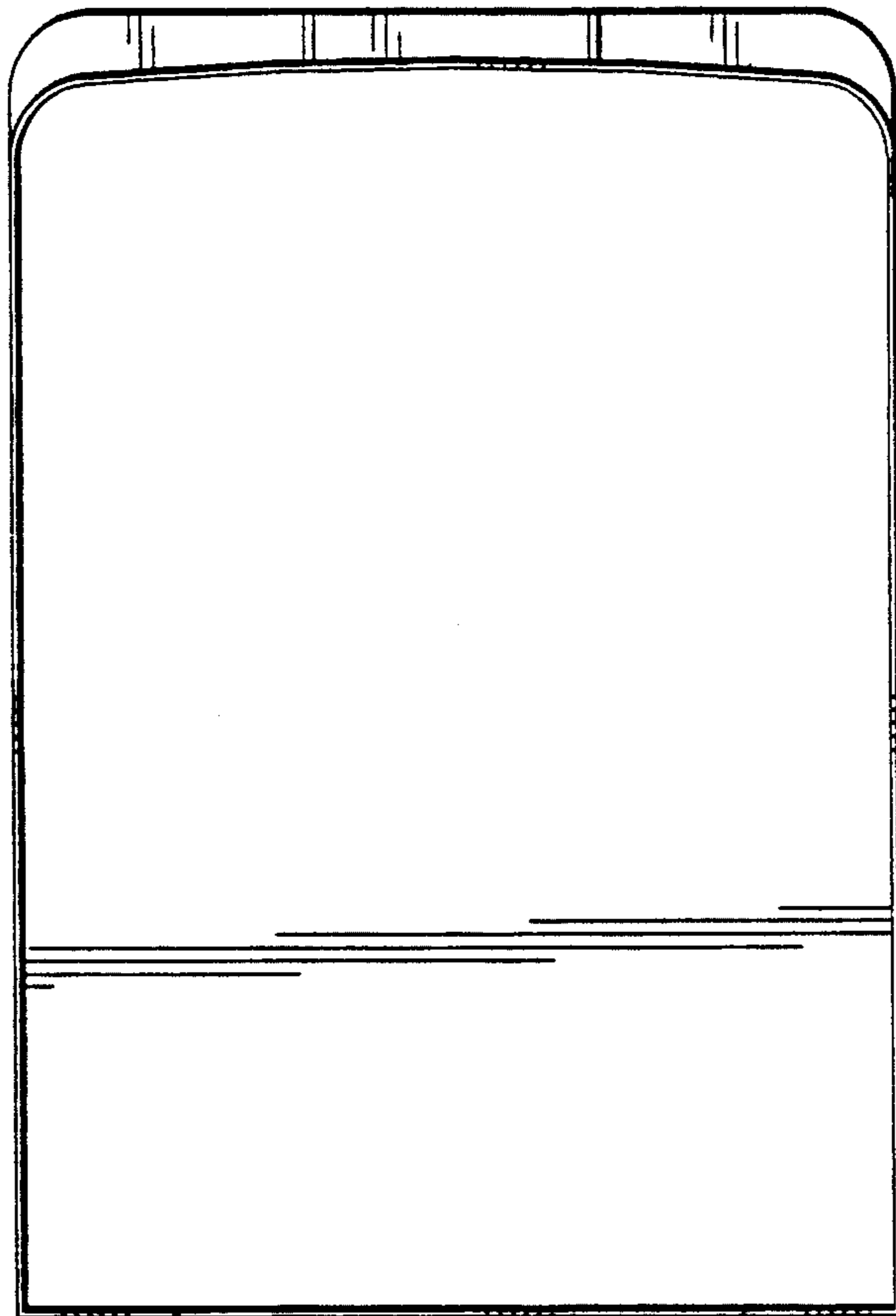


FIG 7

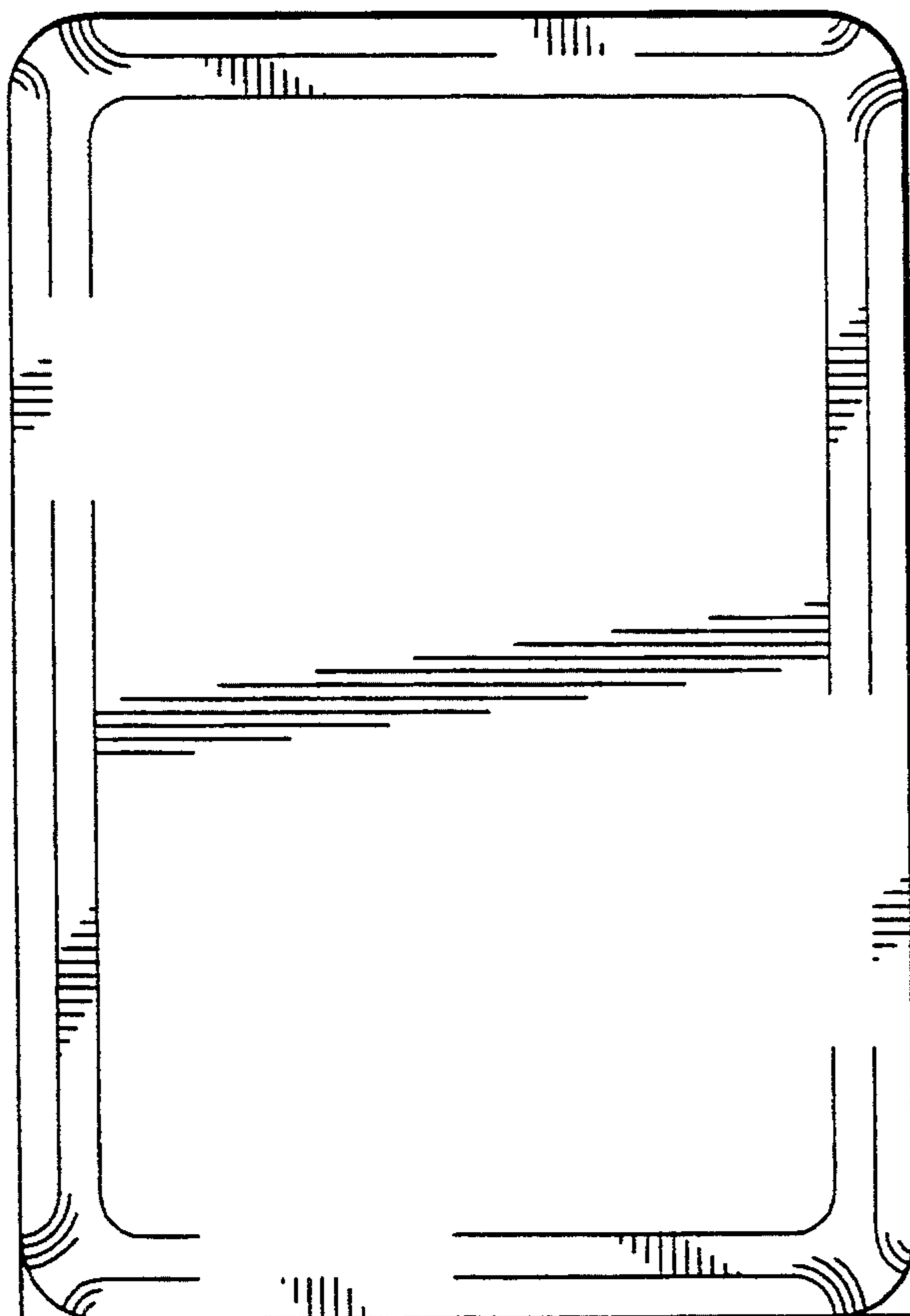


FIG 6