



US00D368614S

United States Patent [19]

[11] **Patent Number: Des. 368,614**

Munoz

[45] **Date of Patent: **Apr. 9, 1996**

[54] **UNDER VANITY ORGANIZER**

Primary Examiner—Brian N. Vinson

[75] Inventor: **Raul Munoz**, Chicago, Ill.

Attorney, Agent, or Firm—Dressler, Goldsmith, Shore & Milnamow, Ltd.

[73] Assignee: **Selfix, Inc.**, Chicago, Ill.

[57] **CLAIM**

[**] Term: **14 Years**

The ornamental design for an under vanity organizer, as shown and described.

[21] Appl. No.: **37,645**

DESCRIPTION

[22] Filed: **Mar. 31, 1995**

[52] **U.S. Cl.** **D6/566; D6/525**

FIG. 1 is a perspective view of an under vanity organizer, showing my new design;

[58] **Field of Search** **D6/524-525, 553,**

D6/566, 567; 211/87, 90, 106, 181

FIG. 2 is a front elevational view thereof;

FIG. 3 is a right side elevational view thereof;

FIG. 4 is a rear elevational view thereof;

FIG. 5 is a left side elevational view thereof;

FIG. 6 is a top plan view thereof; and,

FIG. 7 is a bottom plan view thereof.

[56] **References Cited**

U.S. PATENT DOCUMENTS

D. 294,902	3/1988	Sussman	D6/525
D. 315,840	4/1991	Emery	D6/525
D. 349,205	8/1994	Khuhawar	D6/525
5,104,860	5/1991	Emery	211/106

1 Claim, 4 Drawing Sheets

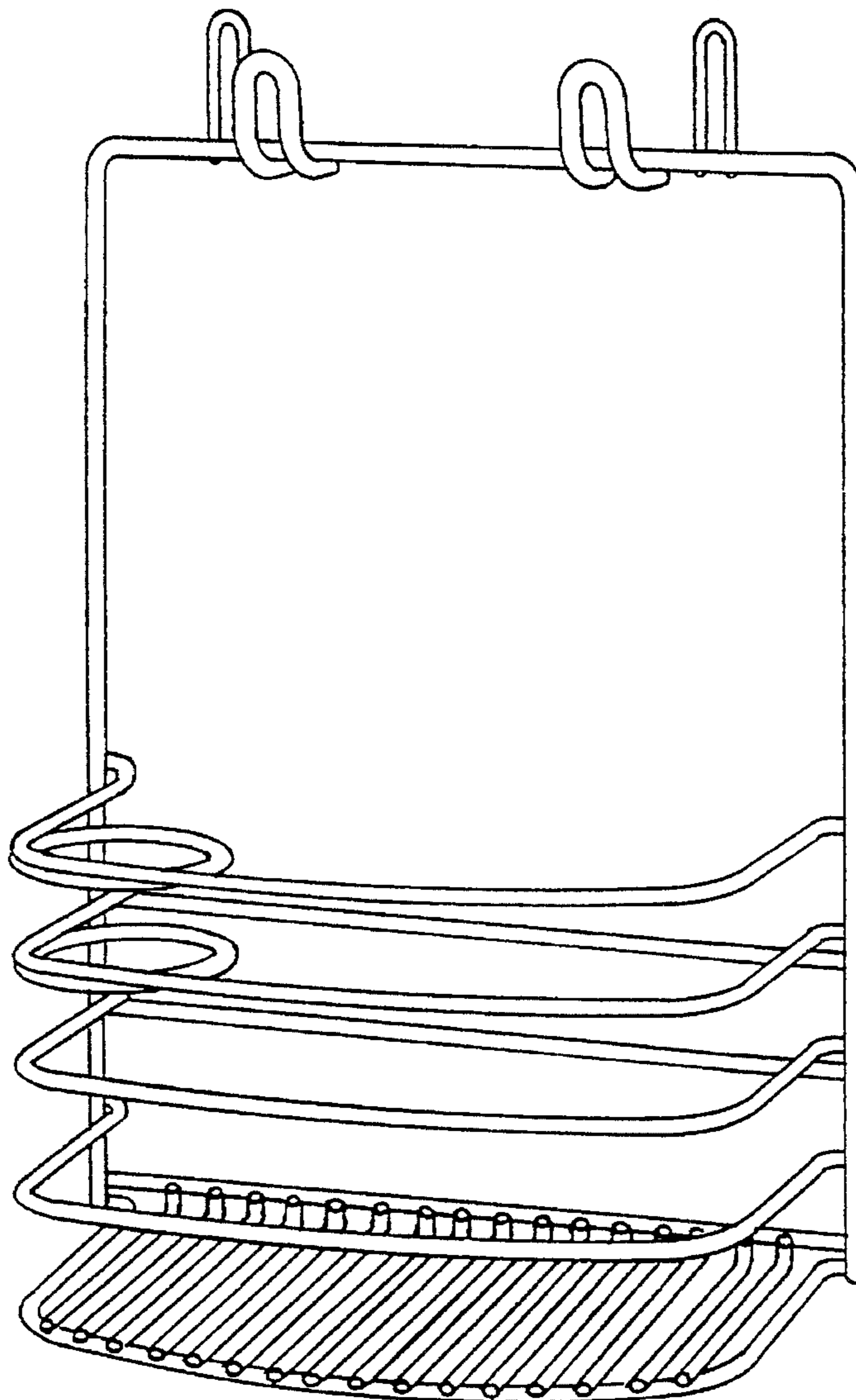


FIG. 1

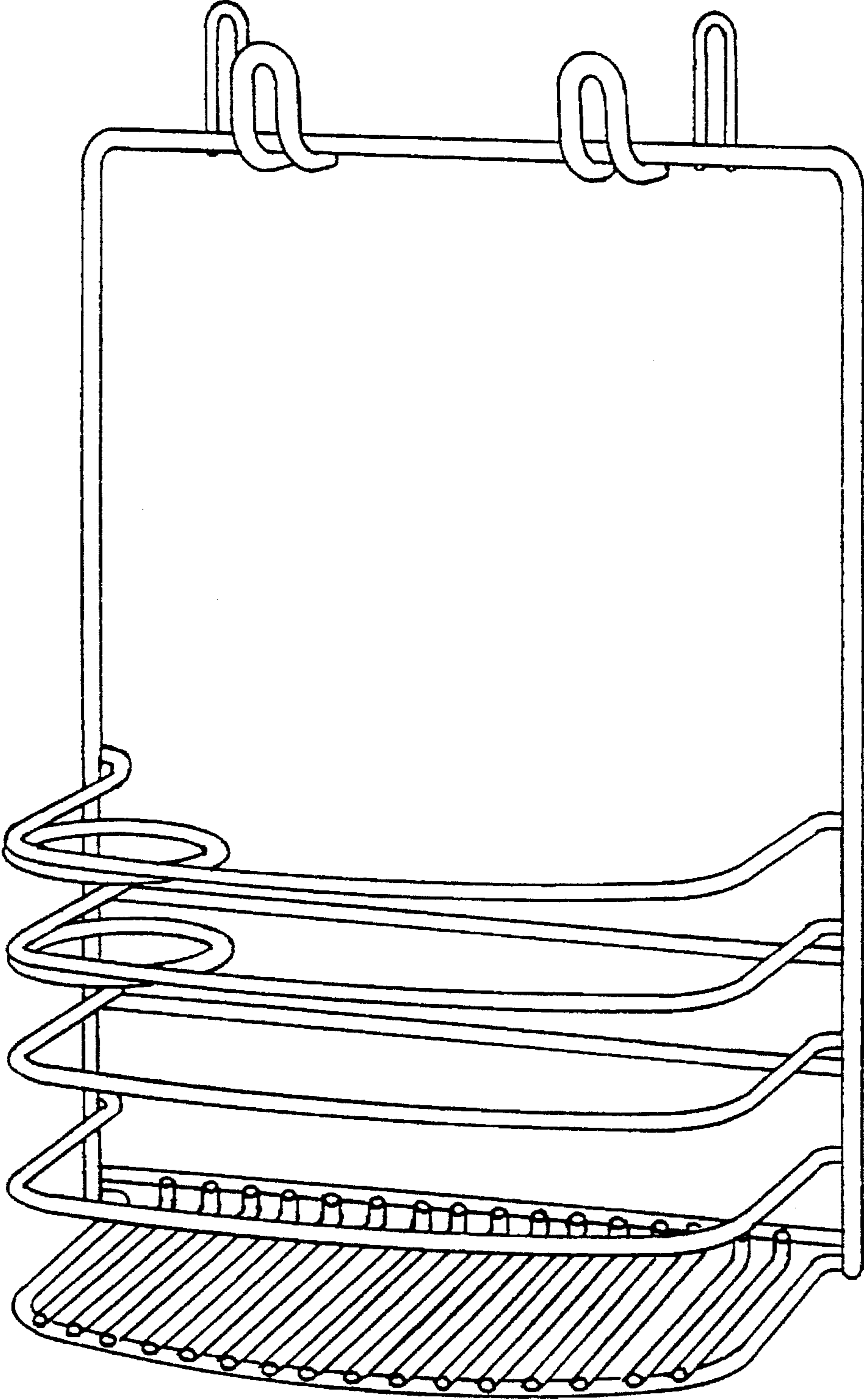


FIG.3

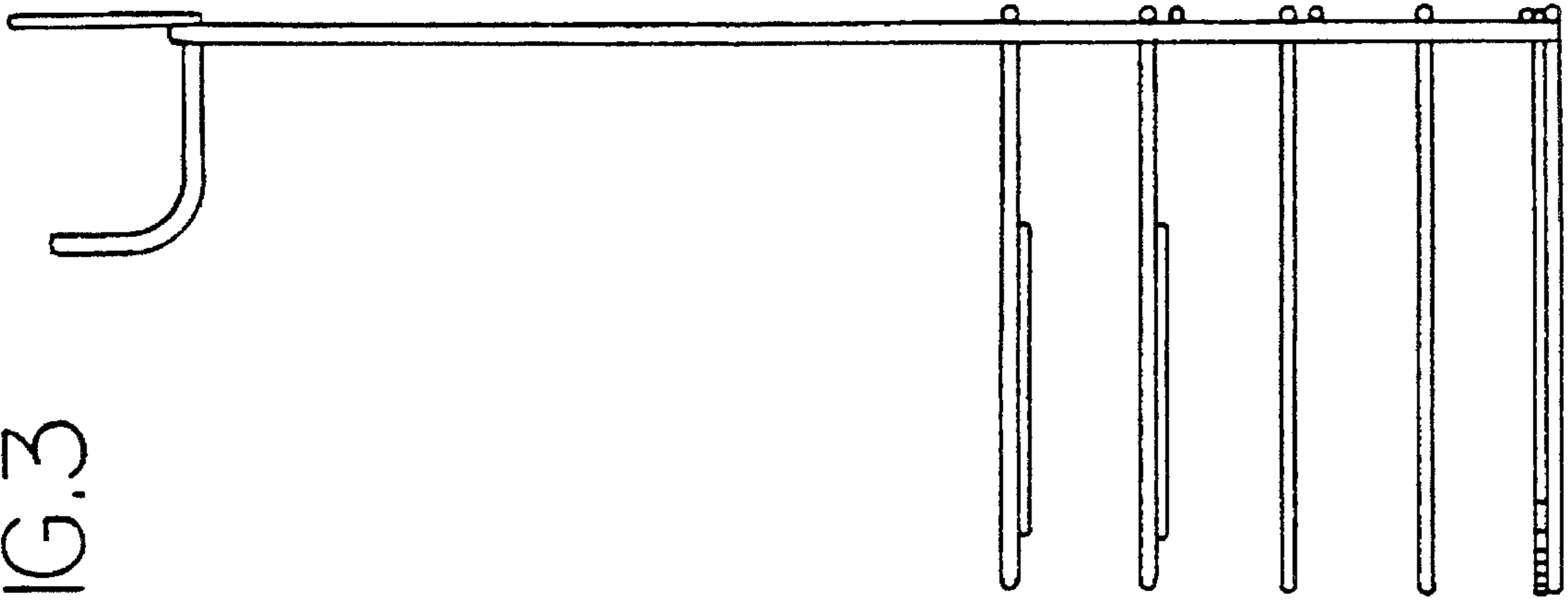


FIG.2

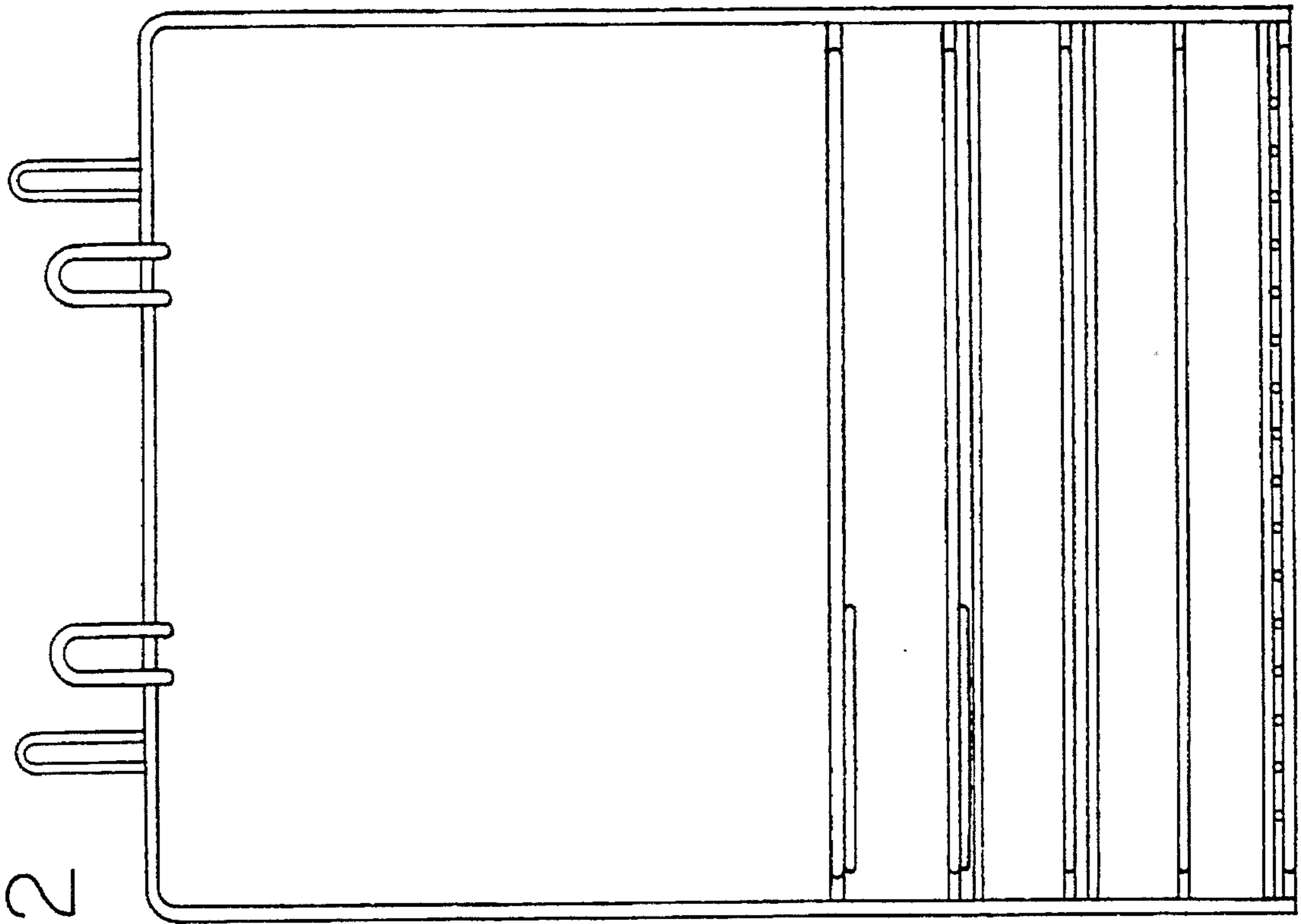


FIG. 5

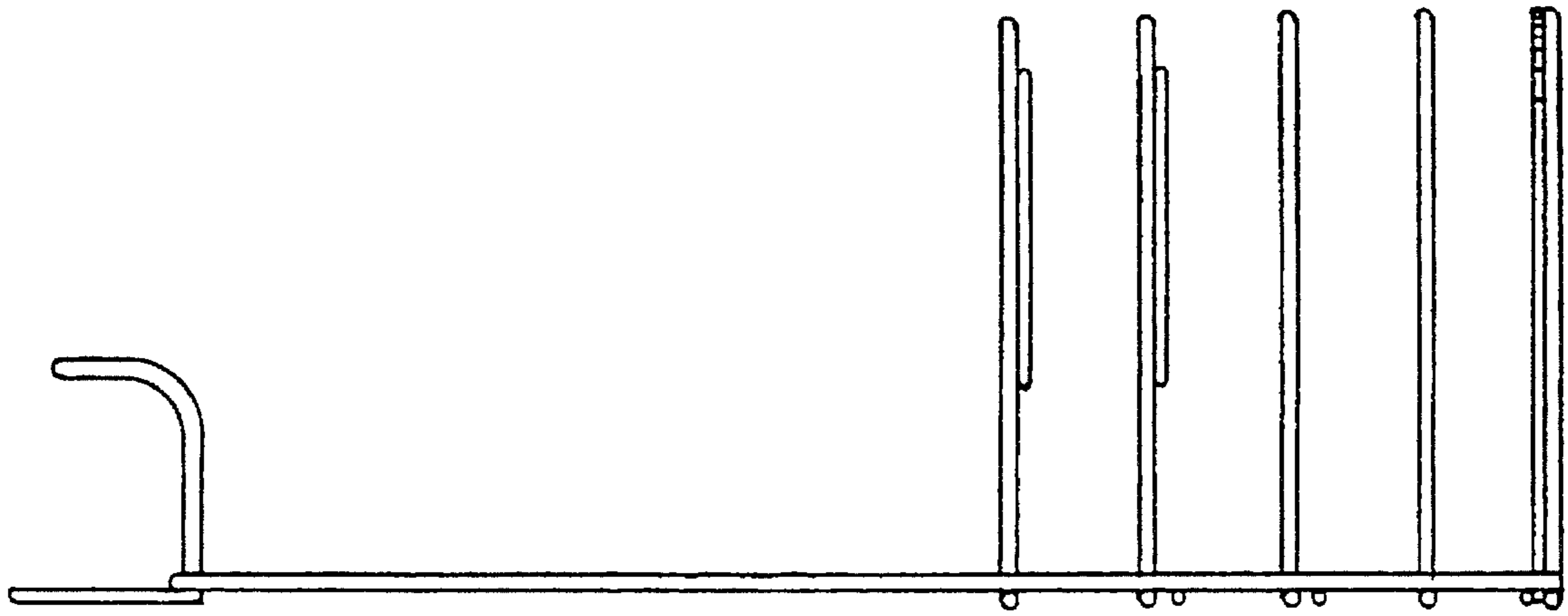


FIG. 4

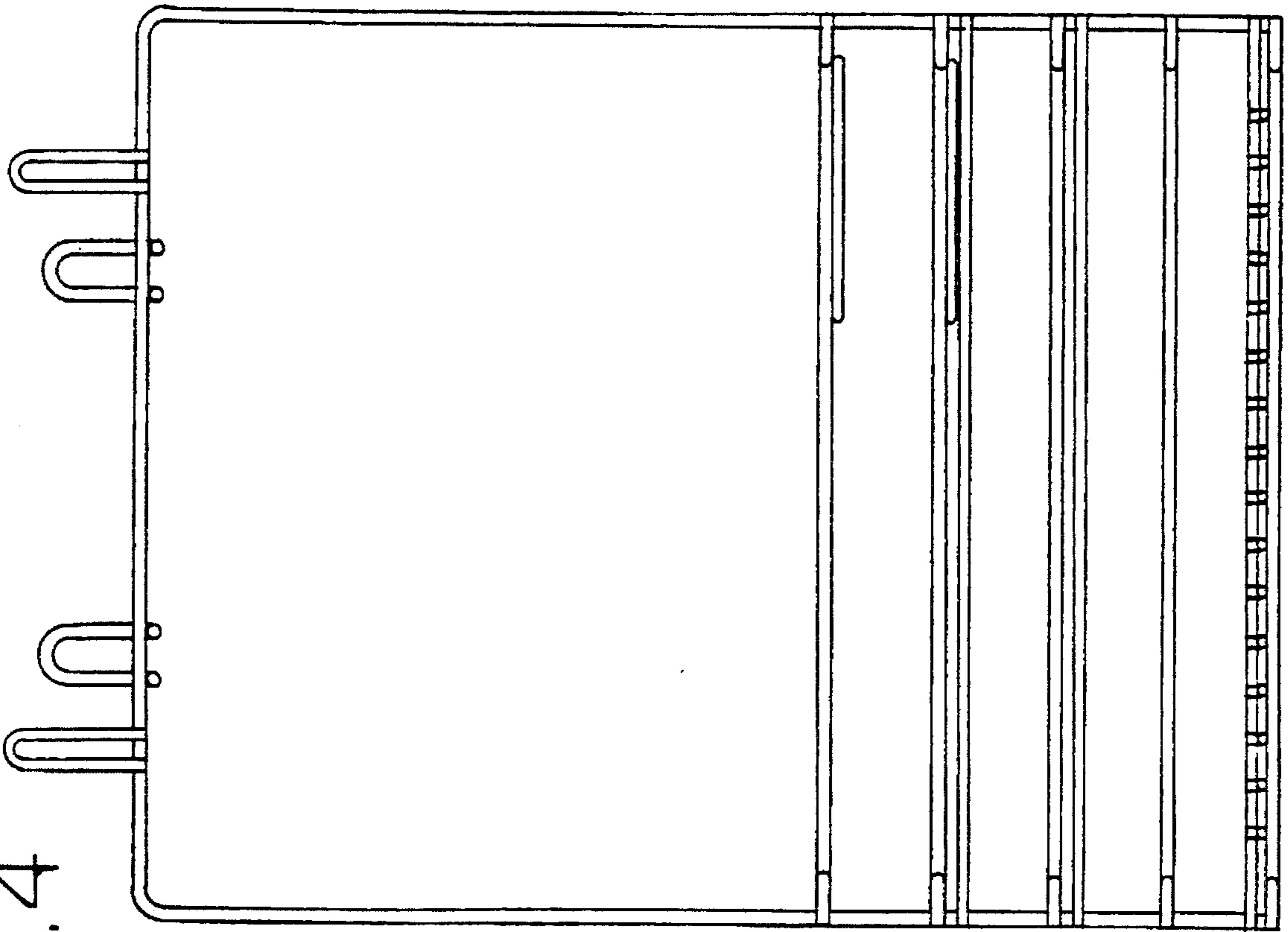


FIG. 6

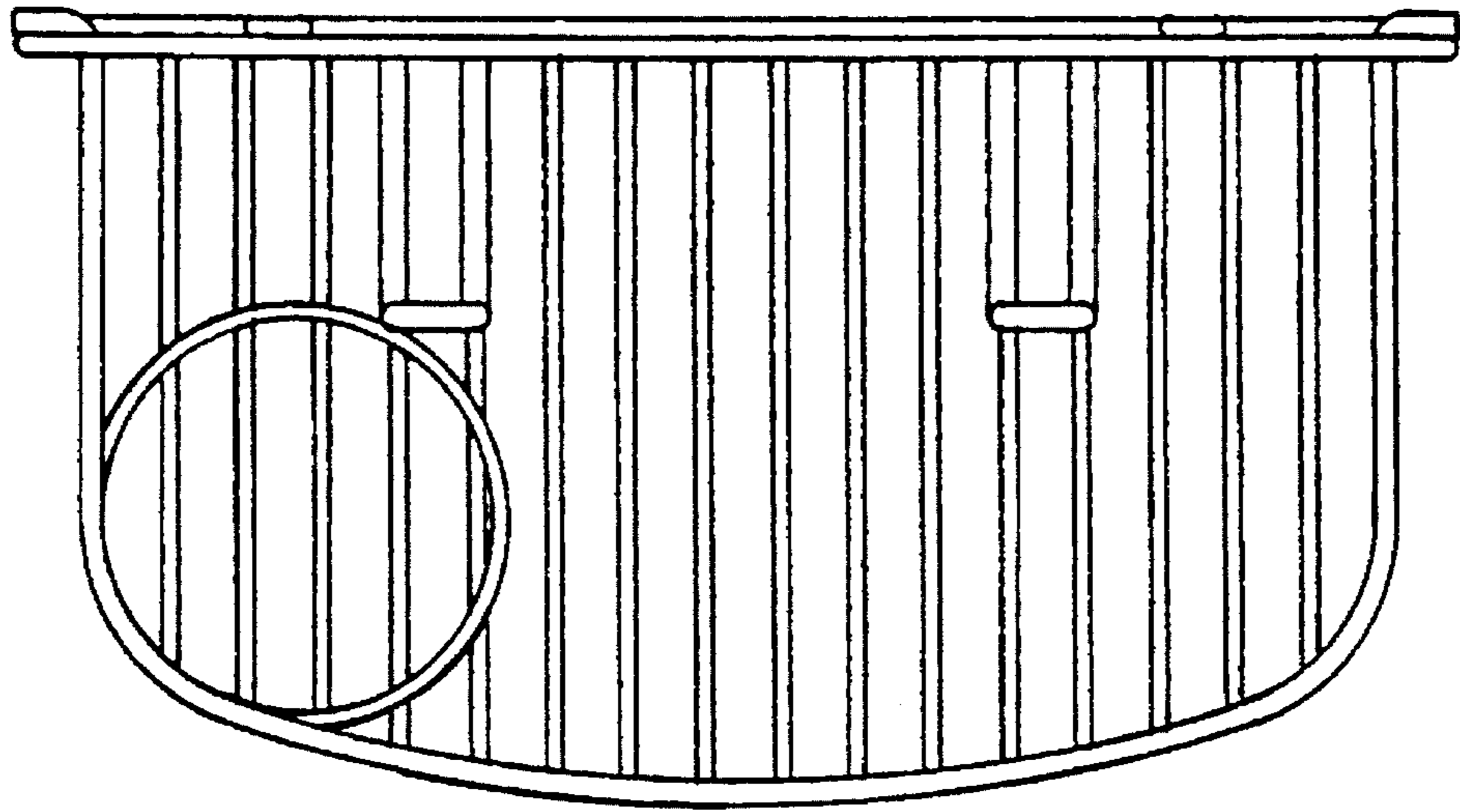


FIG. 7

