



US00D368609S

United States Patent [19]

Roberts

[11] Patent Number: **Des. 368,609**

[45] Date of Patent: ****Apr. 9, 1996**

[54] **BACKREST FOR BLEACHER SEATS**

4,079,993 3/1978 Pierce 297/352
4,611,852 9/1986 Filer 297/352

[76] Inventor: **Donald A. Roberts**, 209 S. 19th St.,
Ste. 477, Omaha, Nebr. 68102

Primary Examiner—Martie Thompson
Attorney, Agent, or Firm—Zarley, McKee, Thomte,
Voorhees & Sease; Mark D. Frederiksen

[**] Term: **14 Years**

[21] Appl. No.: **26,834**

[57] **CLAIM**

[22] Filed: **Aug. 8, 1994**

The ornamental design for a backrest for bleacher seats, as shown and described.

[52] U.S. Cl. **D6/502**; 297/352

[58] Field of Search D6/500-502, 333,
D6/366, 375-380; 5/507.1; 297/352, 230.12

DESCRIPTION

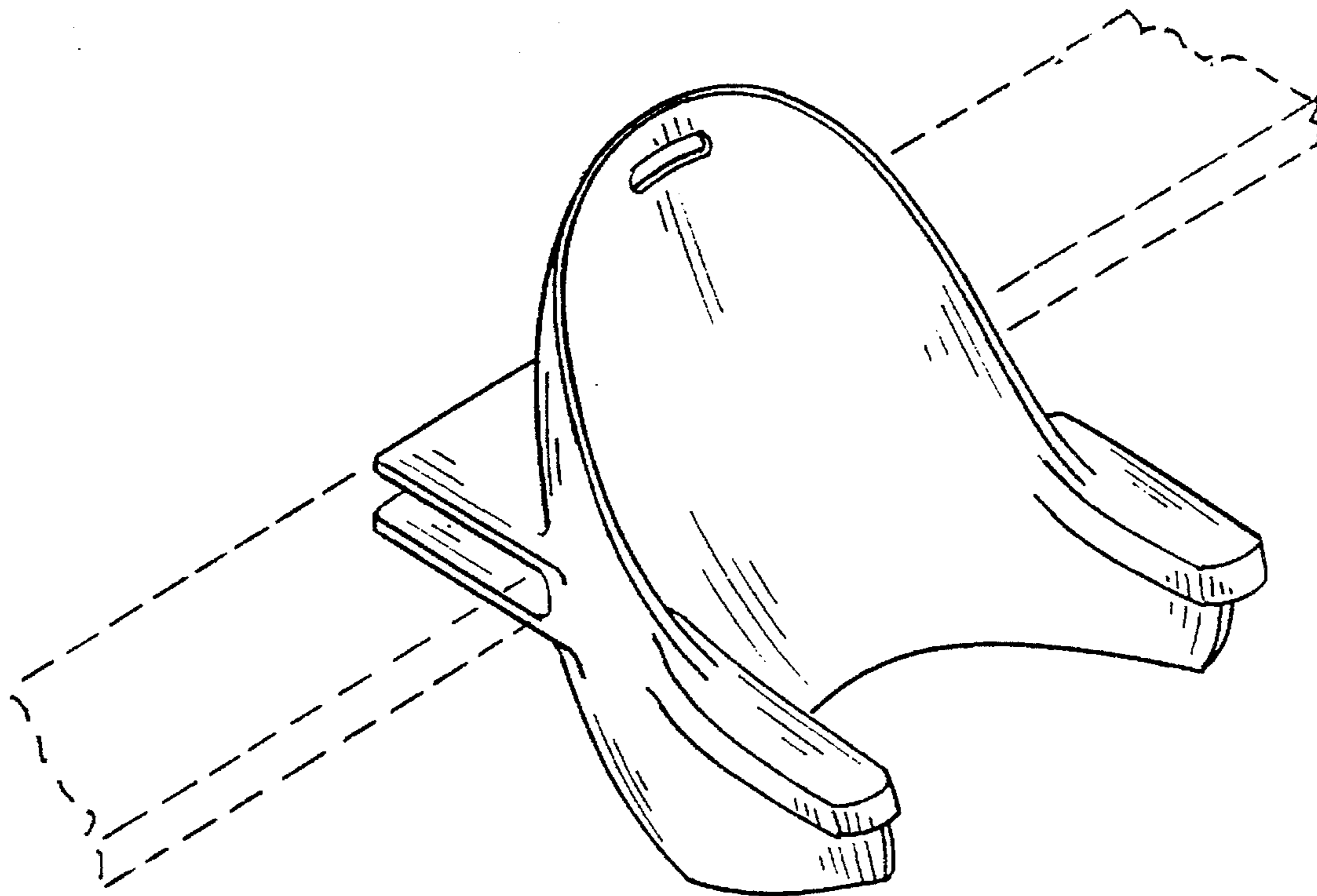
[56] **References Cited**

U.S. PATENT DOCUMENTS

D. 249,217	9/1978	Pierce	D6/502
D. 348,156	6/1994	Colyer	D6/333
D. 358,039	5/1995	Fornaro	D6/500 X
2,736,364	2/1956	Janus	297/230.12
3,167,790	2/1965	Hickey	5/507.1
3,720,965	3/1973	Wright	297/352
4,068,889	1/1978	Pierce et al.	297/352

FIG. 1 is a front perspective view of a backrest for bleacher seats showing my new design, the fragmentary seat depicted by means of broken lines being shown for illustrative purposes only and forming no part of the claimed design; FIG. 2 is a front elevational view thereof; FIG. 3 is a side elevational view taken from the right side of FIG. 2, the left side view being a mirror image thereof; FIG. 4 is a top plan view thereof; and, FIG. 5 is a bottom plan view thereof.

1 Claim, 1 Drawing Sheet



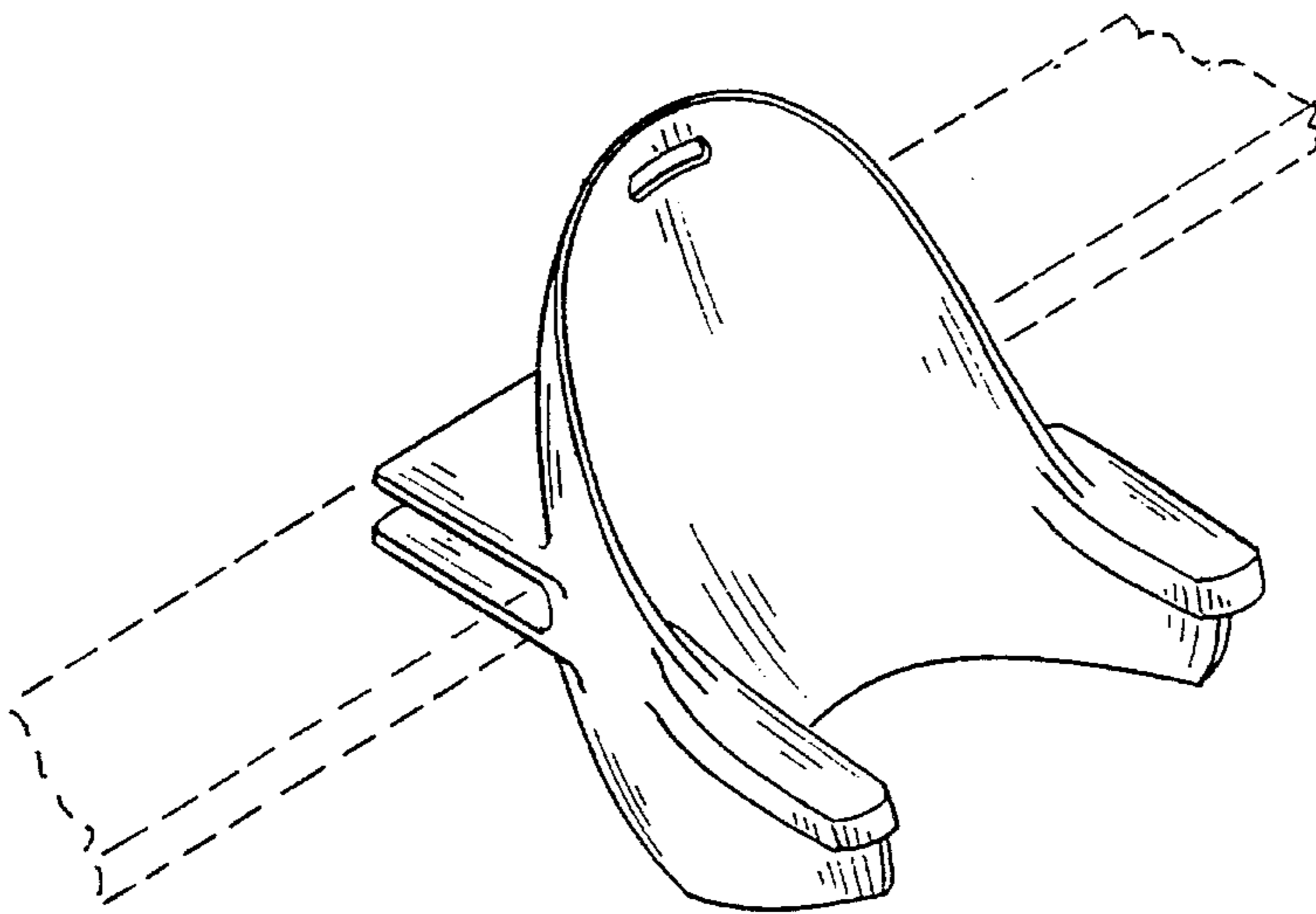


FIG. 1

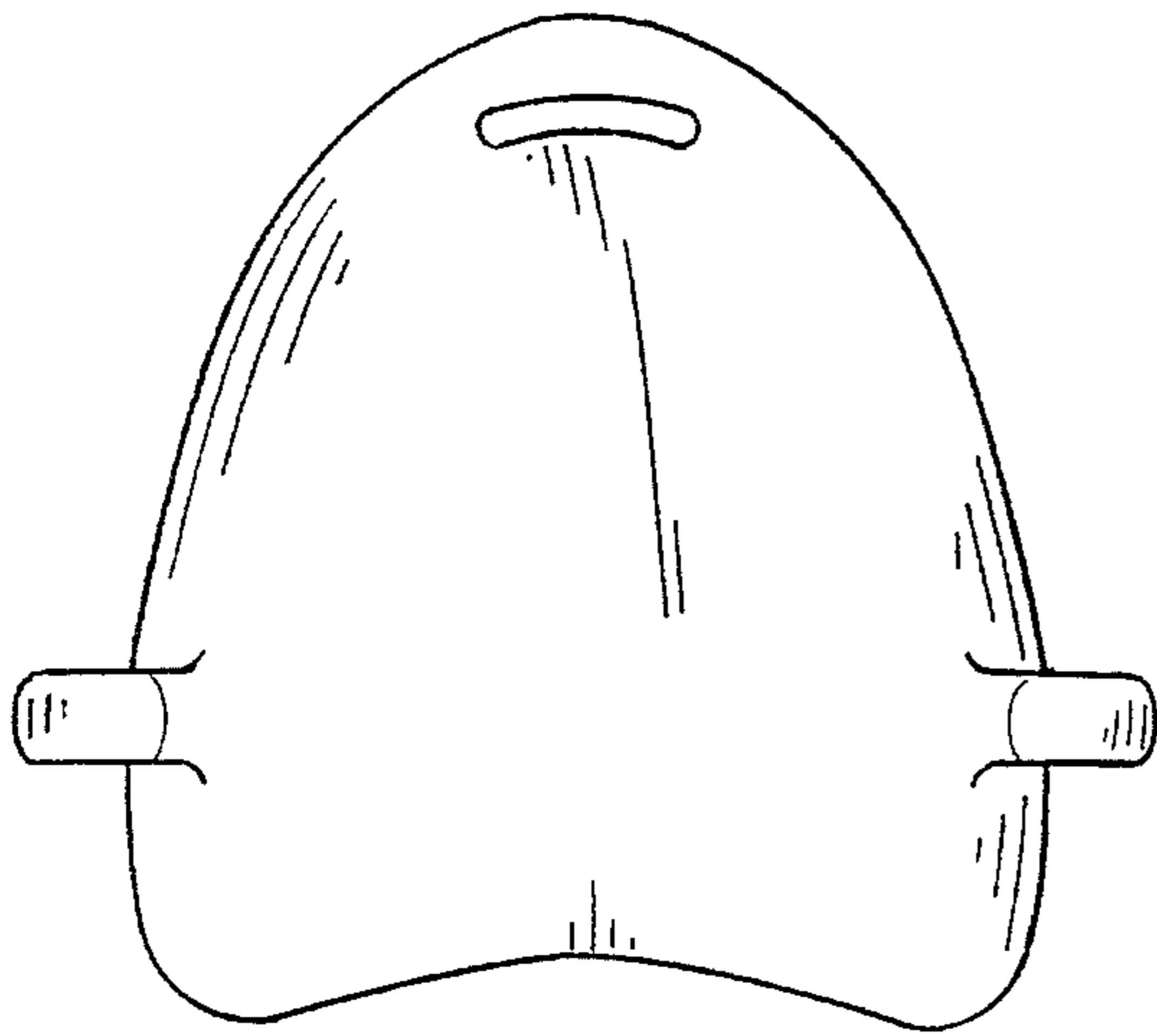


FIG. 2

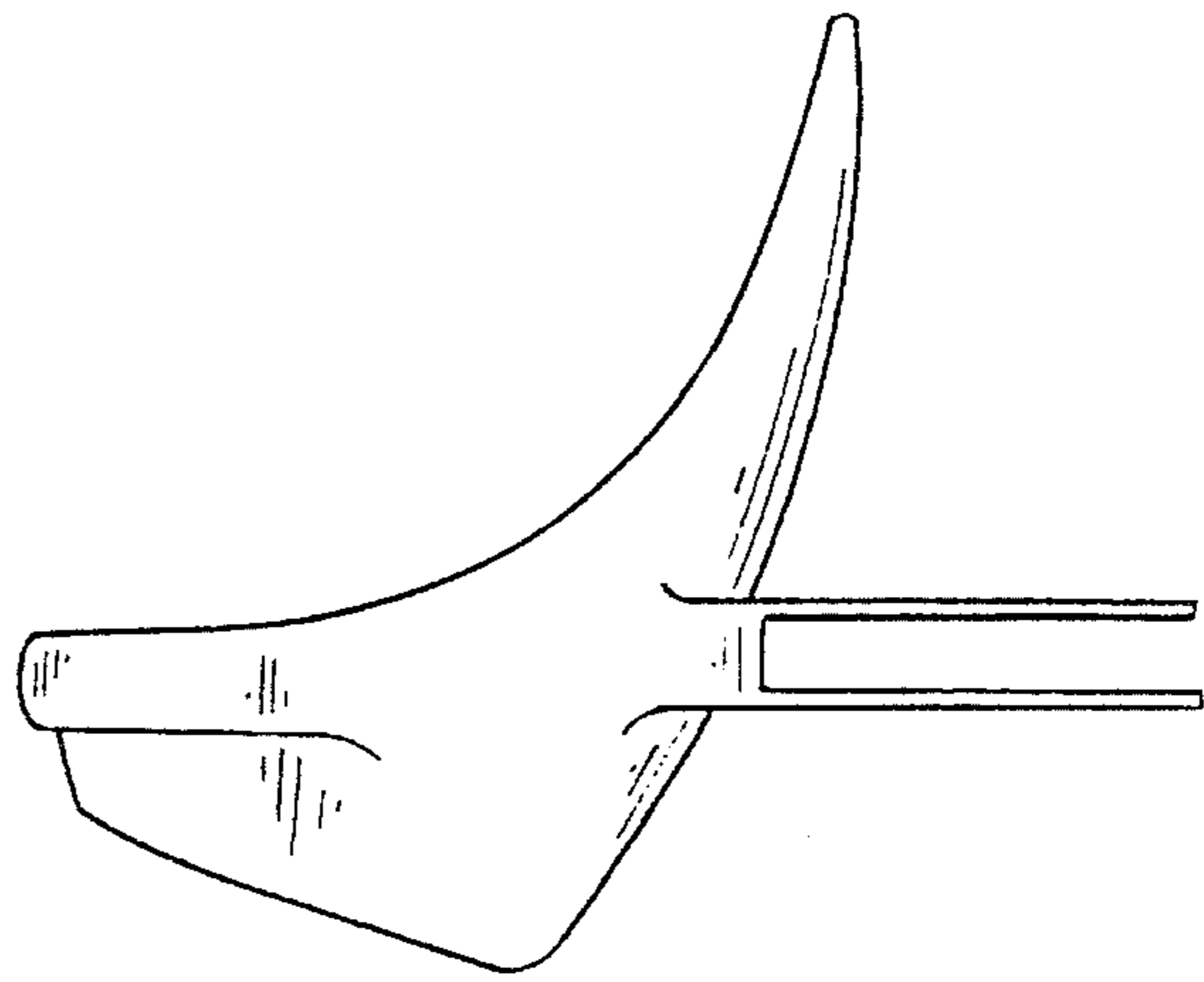


FIG. 3

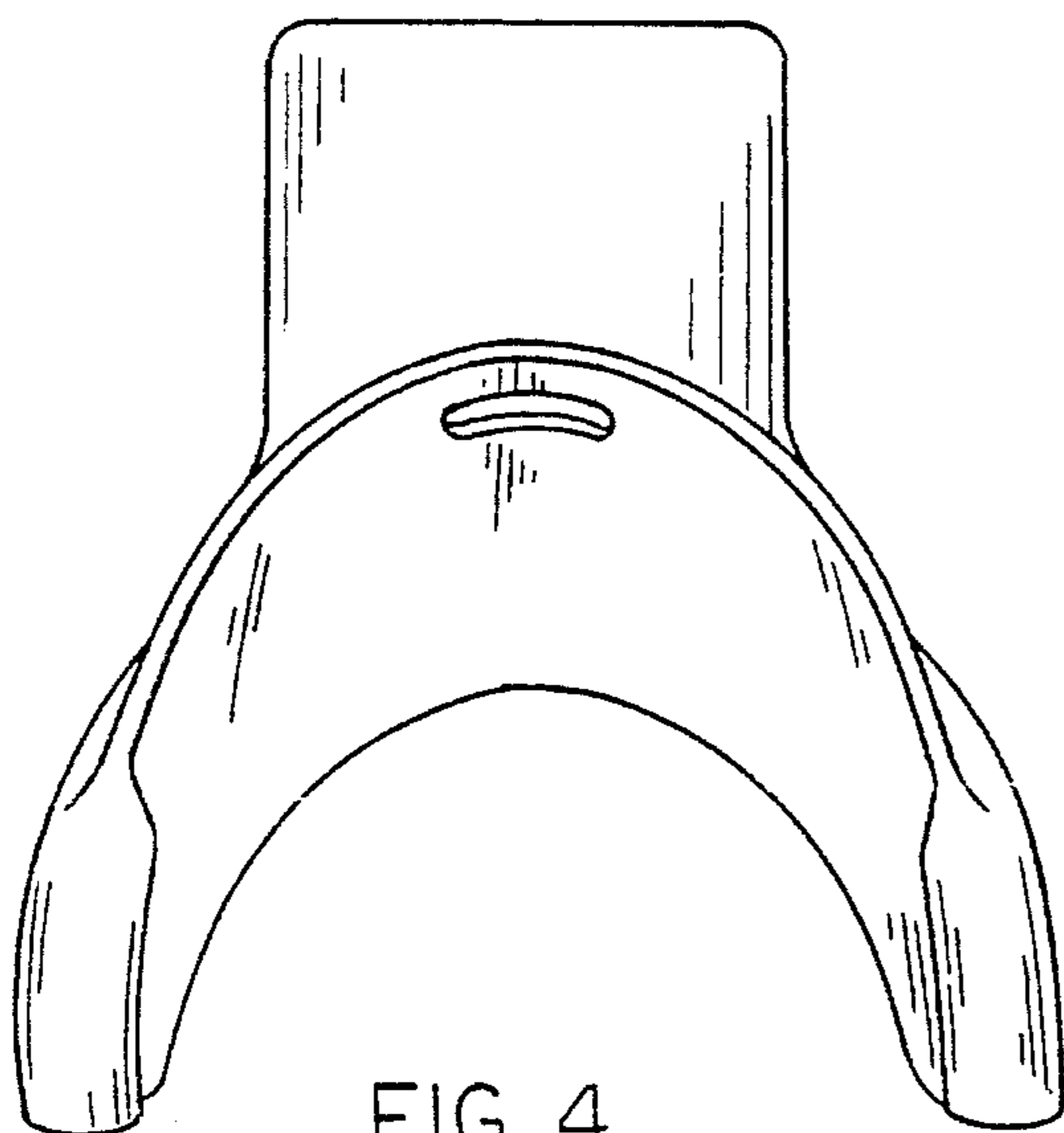


FIG. 4

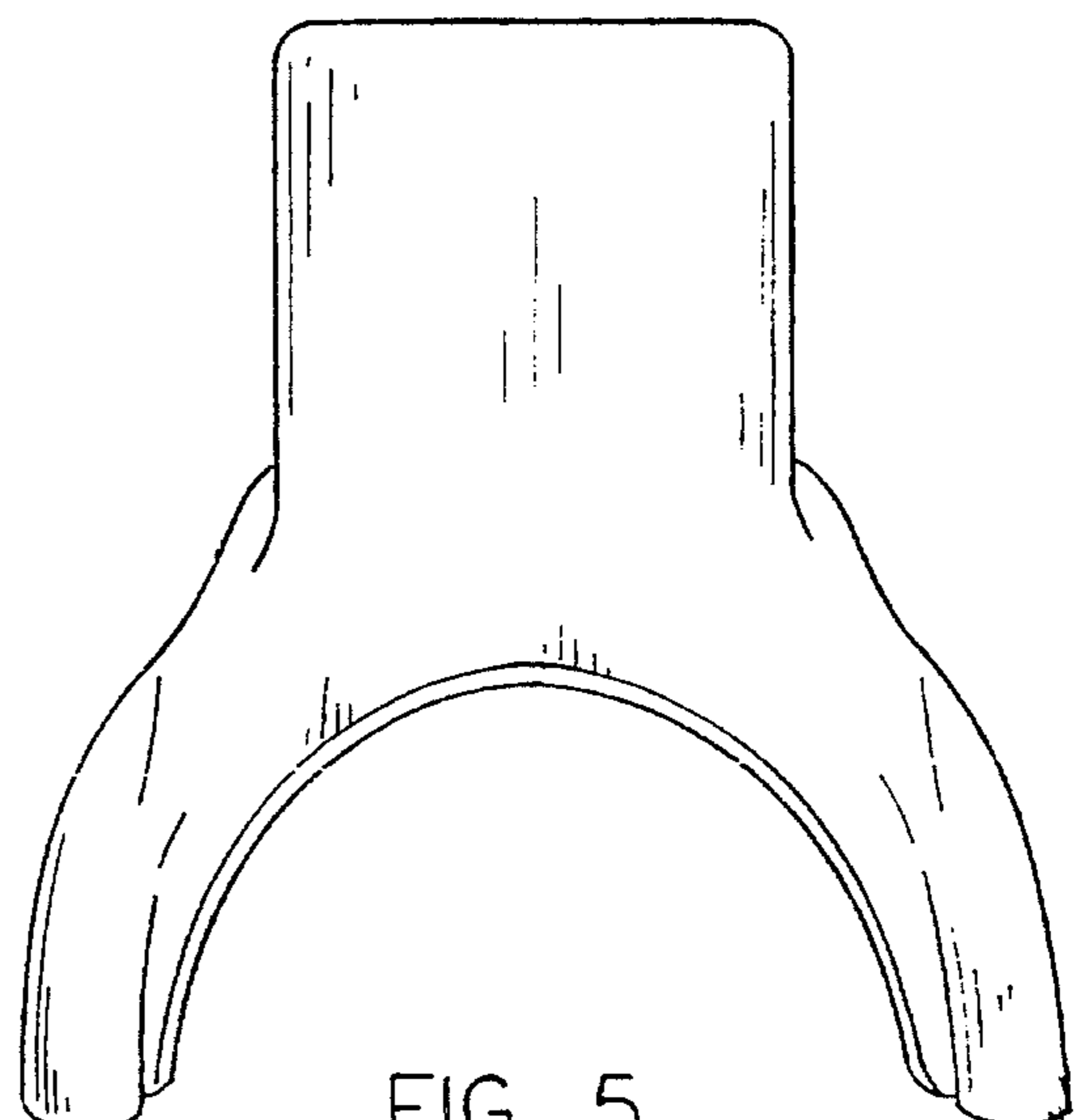


FIG. 5