



US00D368607S

United States Patent [19]

[11] Patent Number: **Des. 368,607**

Liu

[45] Date of Patent: ****Apr. 9, 1996**

[54] **RACK FOR CASTORS ON A CHAIR SEAT**

D. 283,858 5/1986 Ojosvik D6/366
3,443,782 5/1969 Fields et al. 248/188.7

[76] Inventor: **Kun Y. Liu**, No. 1, Lane 427, Wu Shen Rd., Dong Men Village, Pu Hsiang, Chang Hwa, Taiwan

Primary Examiner—Martie Thompson
Attorney, Agent, or Firm—Pro-Techt International

[**] Term: **14 Years**

[57] **CLAIM**

[21] Appl. No.: **27,033**

The ornamental design for a rack for castors on a chair seat, as shown.

[22] Filed: **Aug. 11, 1994**

DESCRIPTION

[52] U.S. Cl. **D6/498**

[58] Field of Search D6/495-497, 366, D6/498, 499, 486; 248/188.7

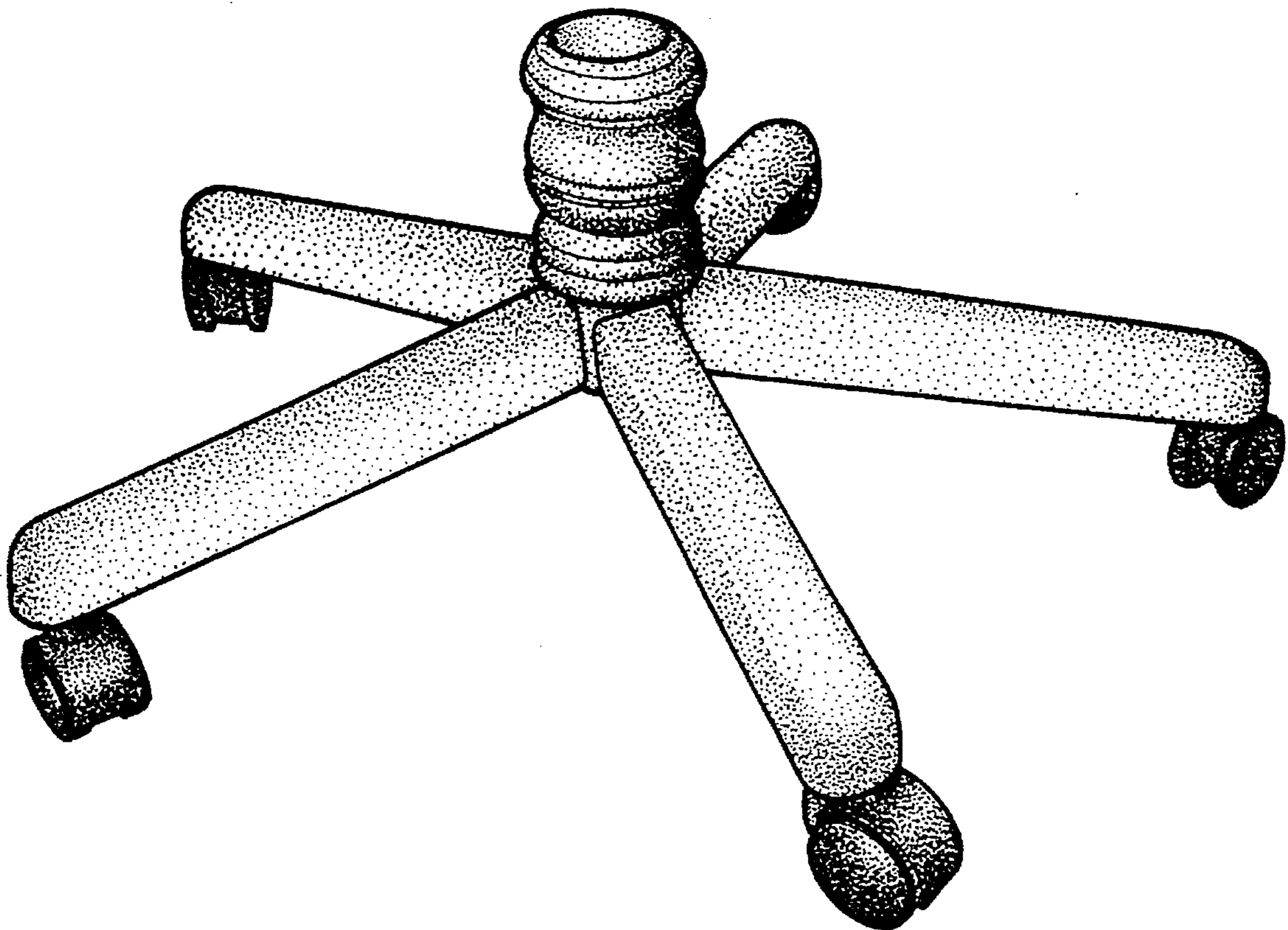
FIG. 1 is a front elevational view of a rack for castors on a chair seat showing my new design; FIG. 2 is a rear view of the design; FIG. 3 is a left side view of the design; FIG. 4 is a right side view of the design; FIG. 5 is a top view of the design; FIG. 6 is a bottom view of the design; and, FIG. 7 is a perspective view thereof.

[56] **References Cited**

U.S. PATENT DOCUMENTS

D. 206,000 10/1966 Moore et al. D6/498
D. 254,878 5/1980 Ambasz D6/366
D. 276,396 11/1984 Locher D6/498
D. 276,864 12/1984 Ponzellini D6/498

1 Claim, 5 Drawing Sheets



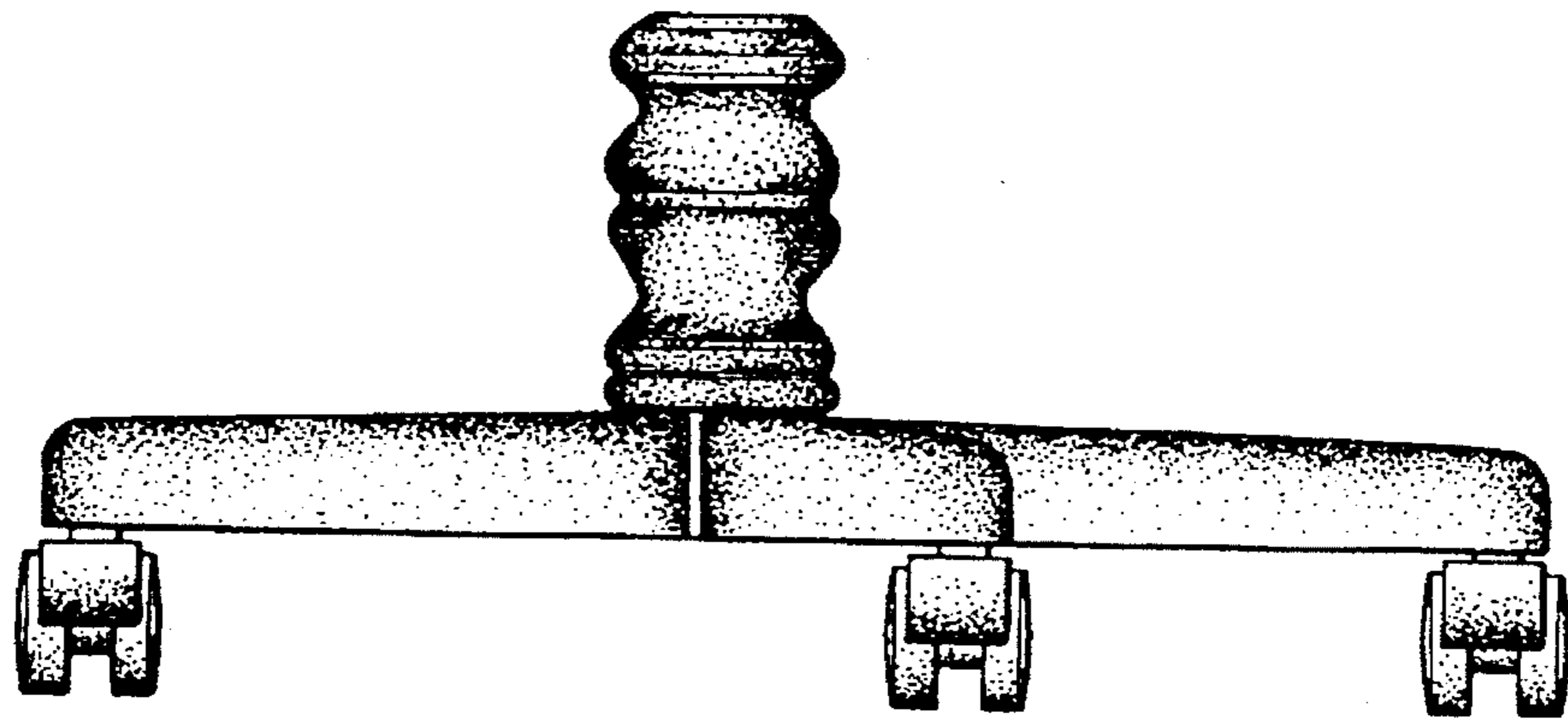


Fig. 1

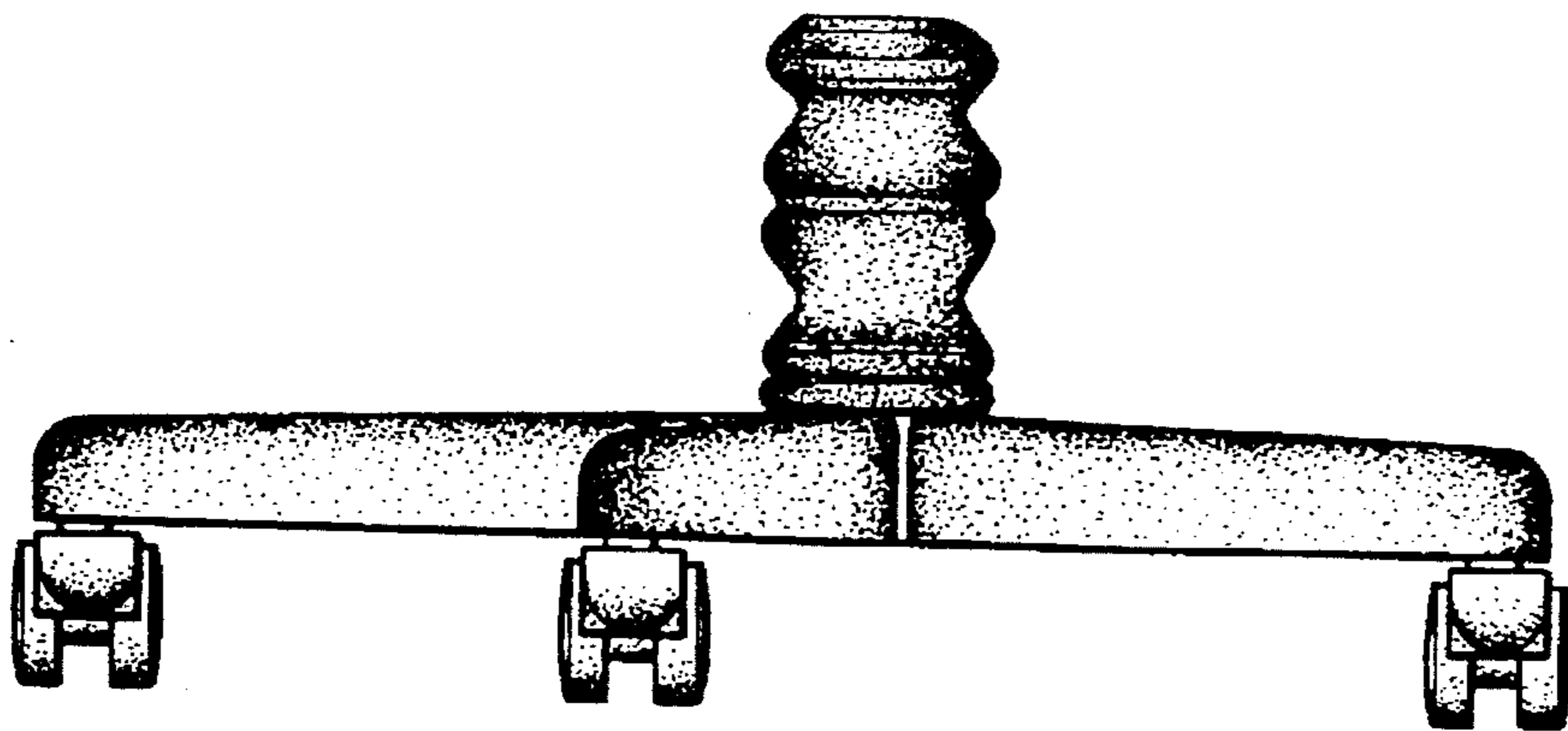


Fig. 2

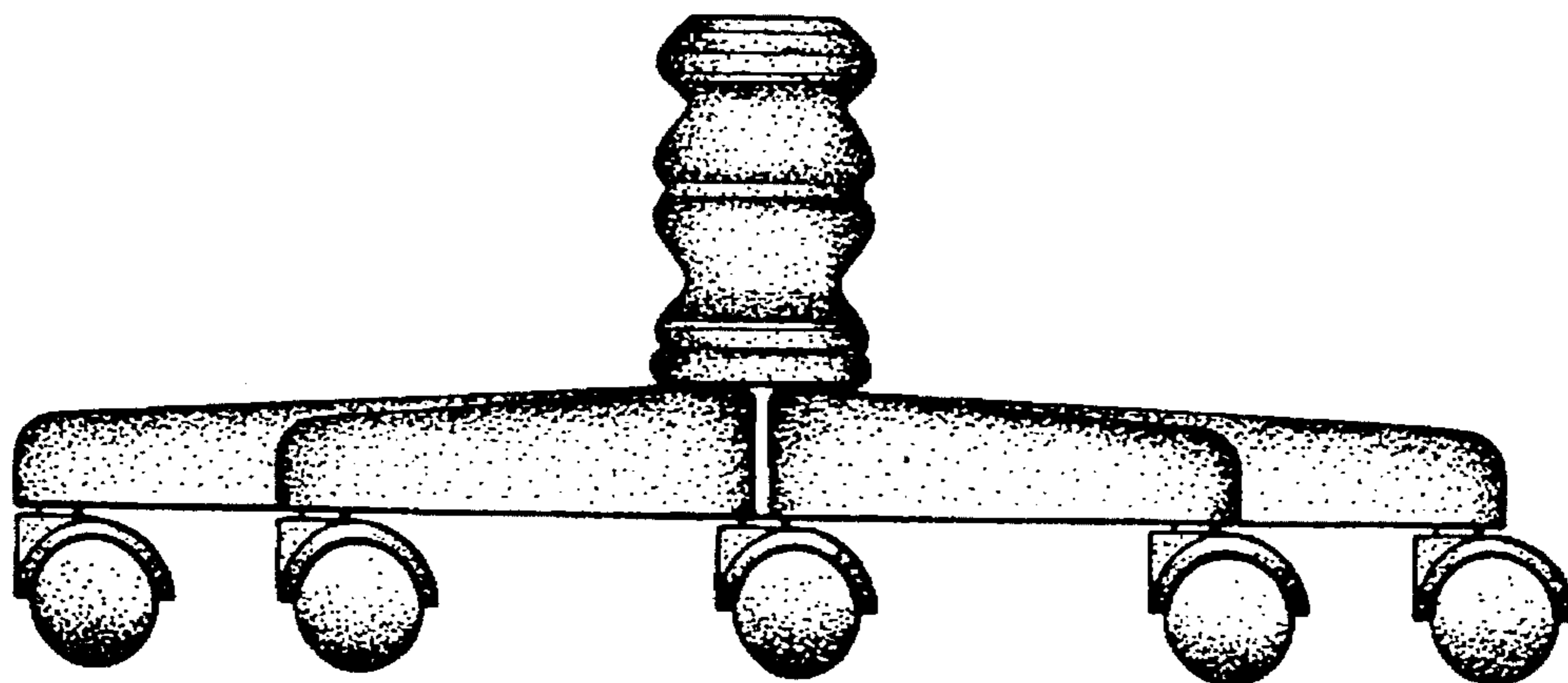


Fig. 3

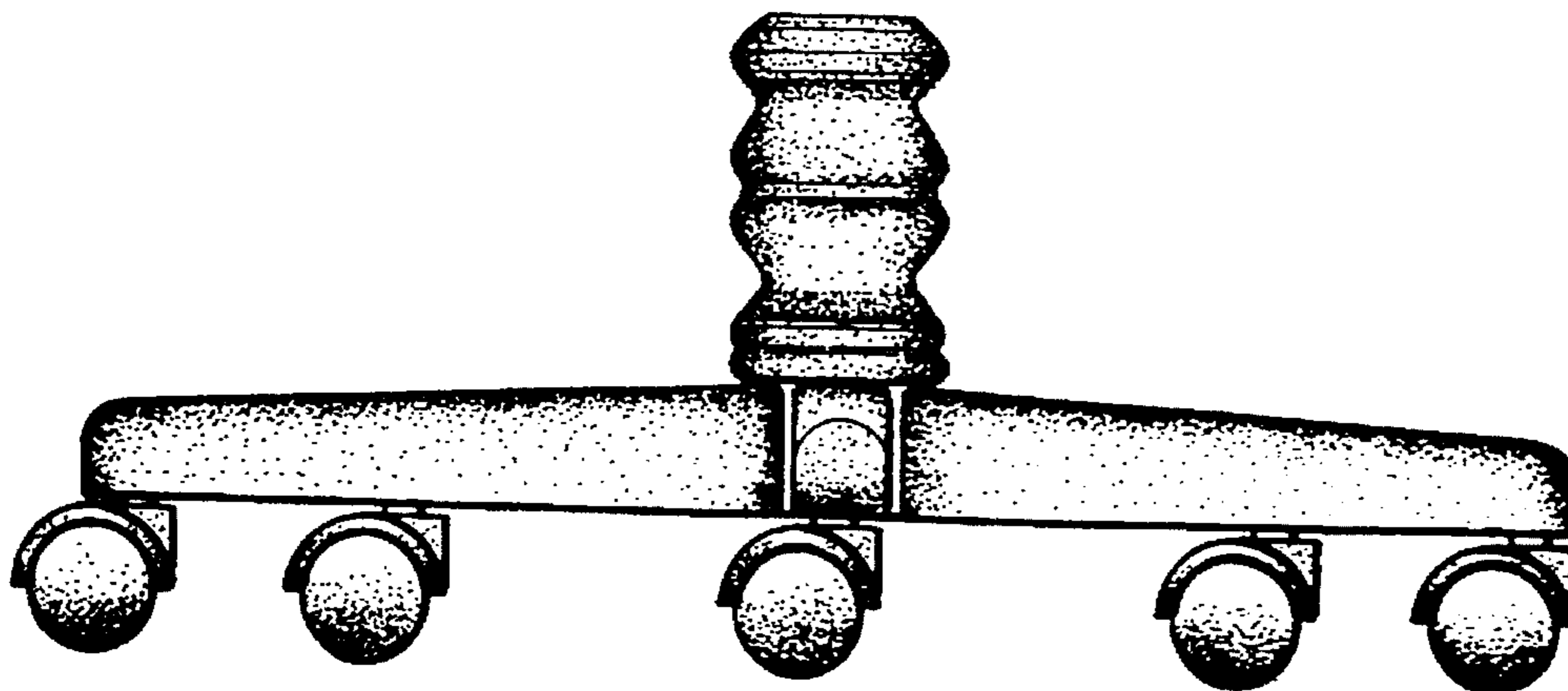


Fig. 4

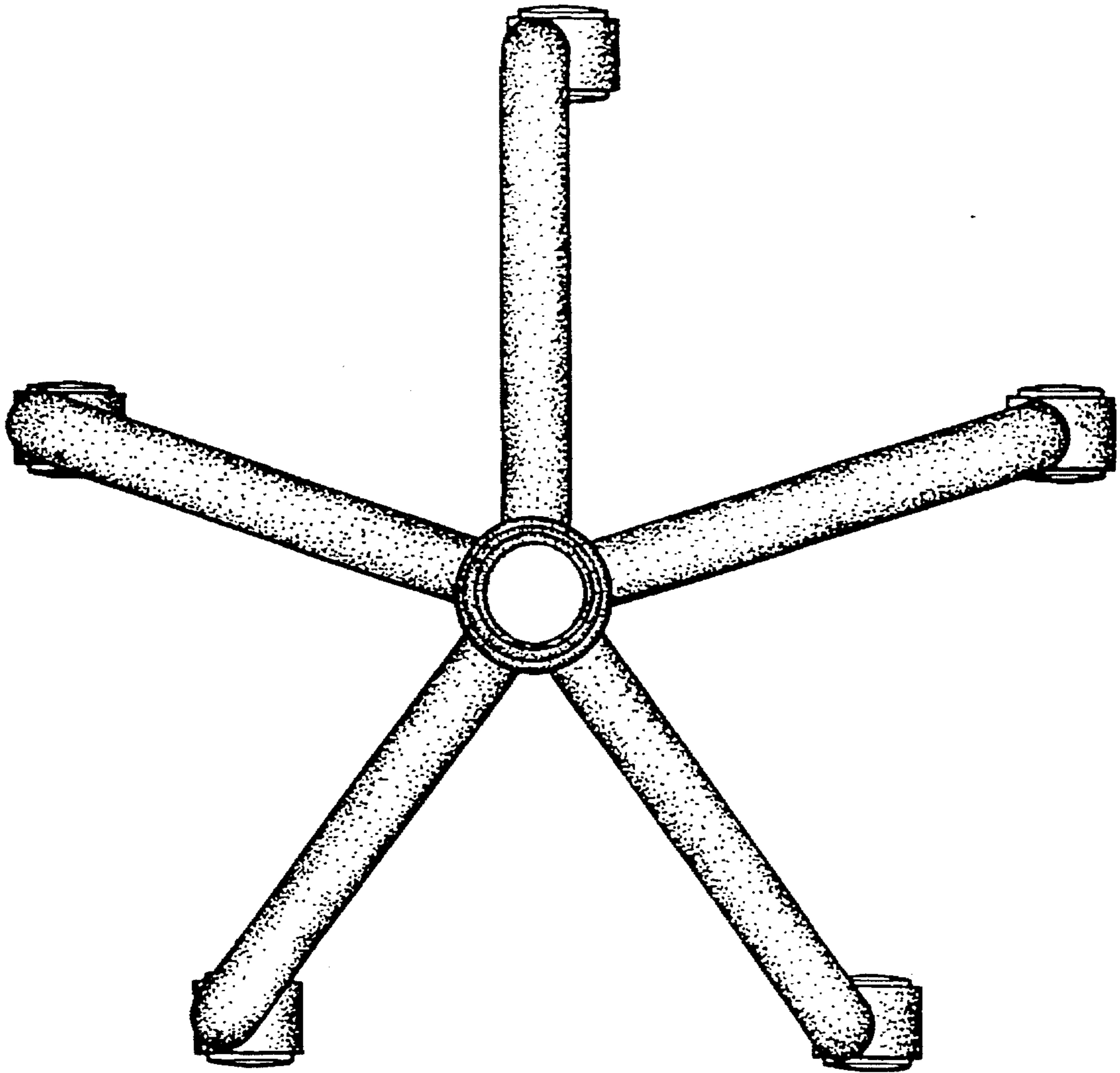


Fig. 5

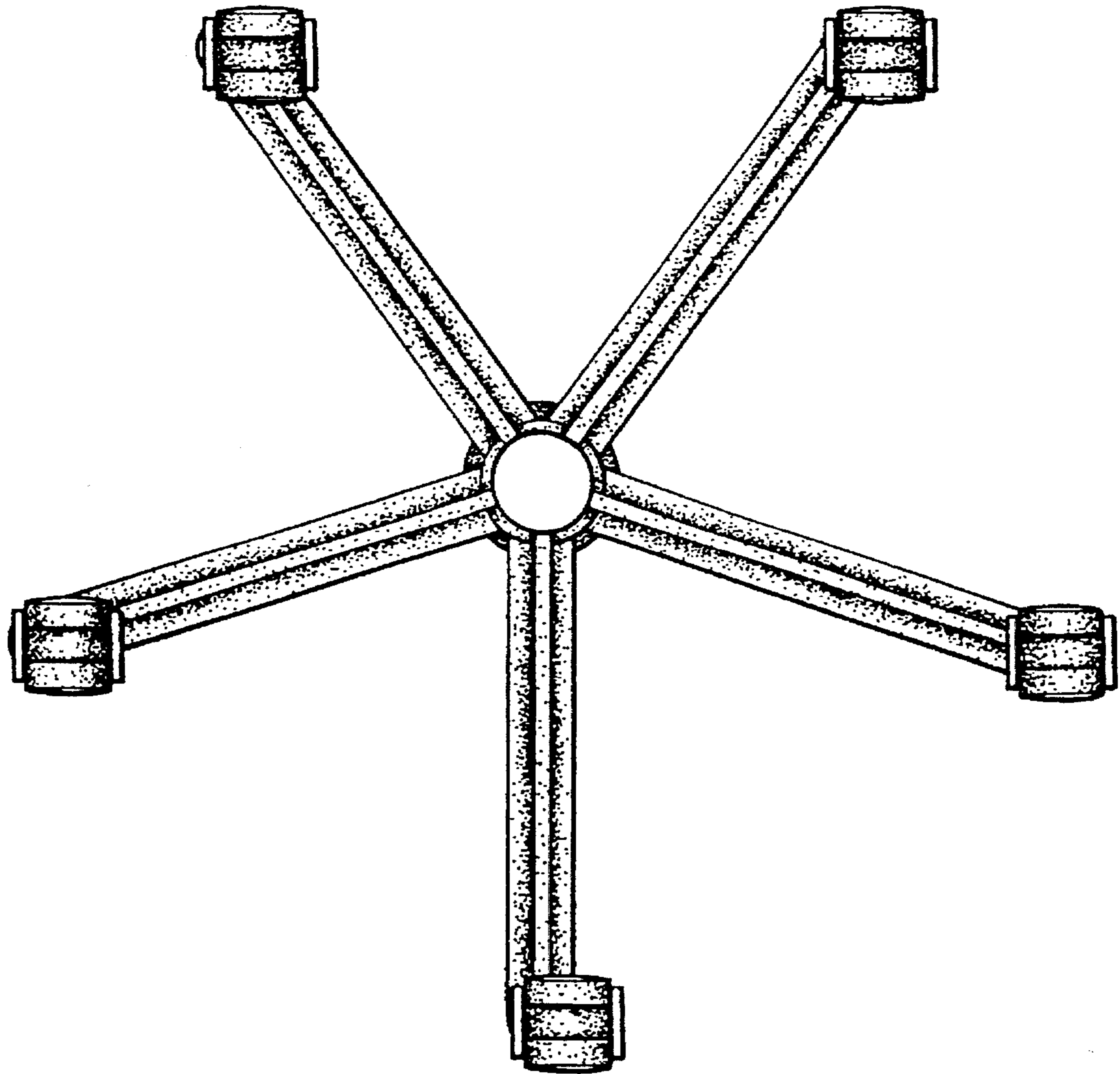


Fig. 6

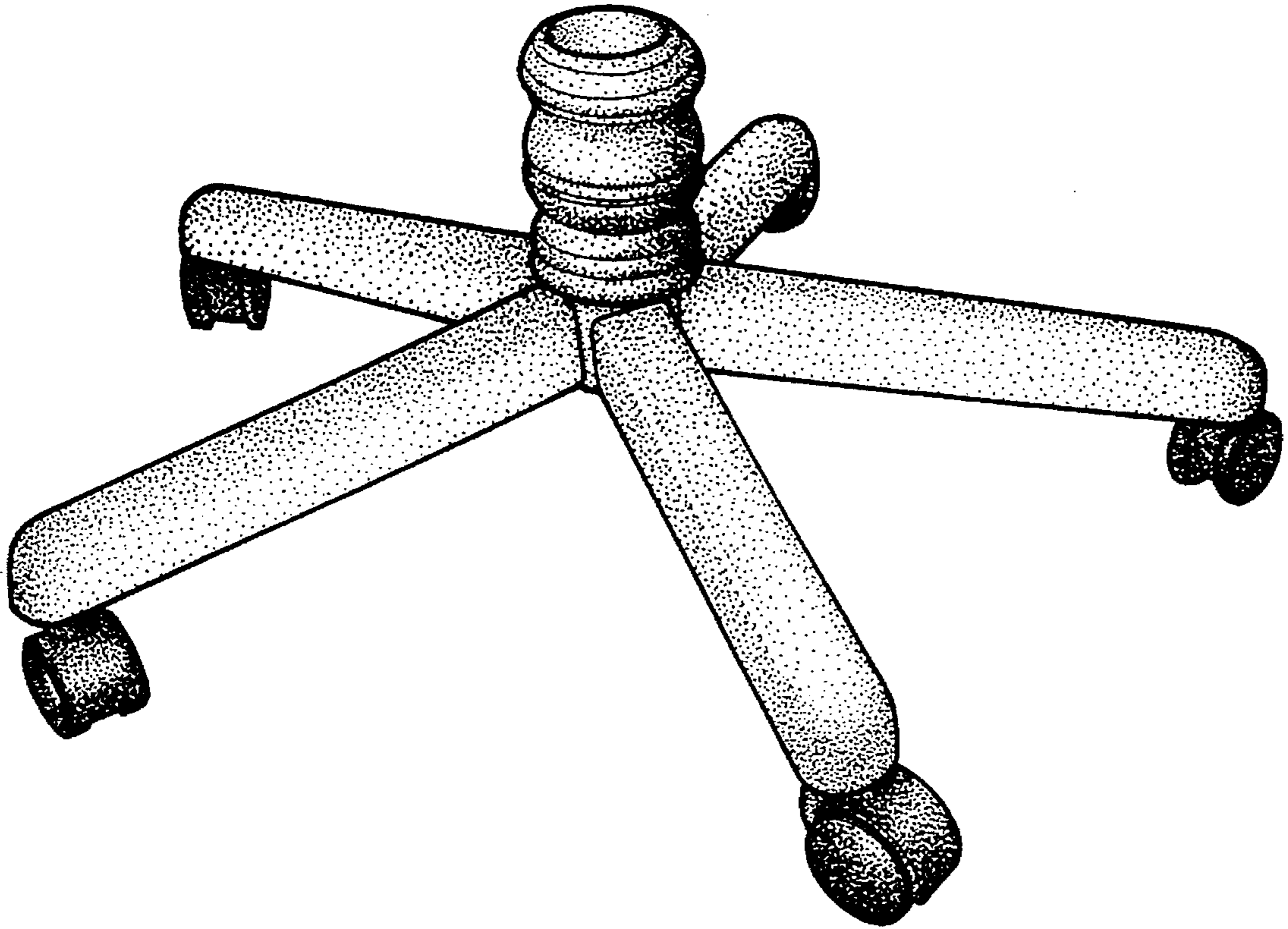


Fig. 7