



US00D368606S

United States Patent [19]

Sargent, III

[11] Patent Number: **Des. 368,606**

[45] Date of Patent: ****Apr. 9, 1996**

[54] **FOOD SERVICE COUNTER**

3,350,151 10/1967 Phillips 312/140.4

[76] Inventor: **Jim W. Sargent, III**, 121 Fairground Rd., Florence, Ala. 53630

Primary Examiner—Janice E. Seeger
Attorney, Agent, or Firm—Kennedy & Kennedy

[**] Term: **14 Years**

[57] CLAIM

[21] Appl. No.: **30,459**

The ornamental design for a food service counter, as shown and described.

[22] Filed: **Oct. 31, 1994**

DESCRIPTION

[52] U.S. Cl. **D6/481**

[58] Field of Search D6/481; D25/16;
52/36.1, 36.2; 312/140.1, 140.2, 116, 117,
126, 284, 140.4

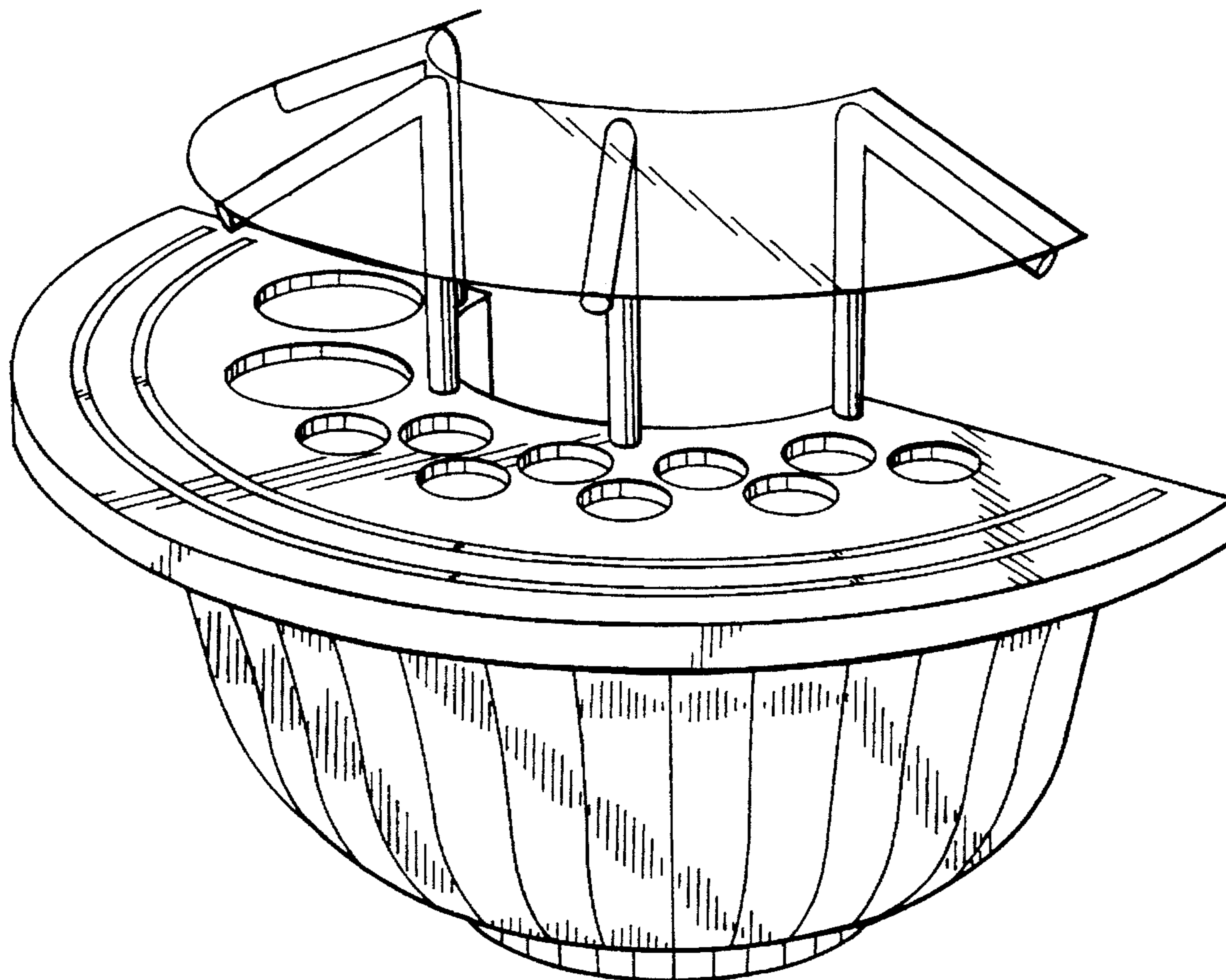
FIG. 1 is a perspective view of the food service counter;
FIG. 2 is a front view thereof;
FIG. 3 is a side view thereof, the opposite side by a mirror thereof;
FIG. 4 is a rear view thereof;
FIG. 5 is a top view thereof; and,
FIG. 6 is a bottom view thereof.

[56] References Cited

U.S. PATENT DOCUMENTS

D. 75,233	5/1928	Gersenberger et al.	D25/16 X
D. 287,688	1/1987	Mortimer	D6/481 X
D. 346,867	5/1994	Mantilla	D6/481 X

1 Claim, 4 Drawing Sheets



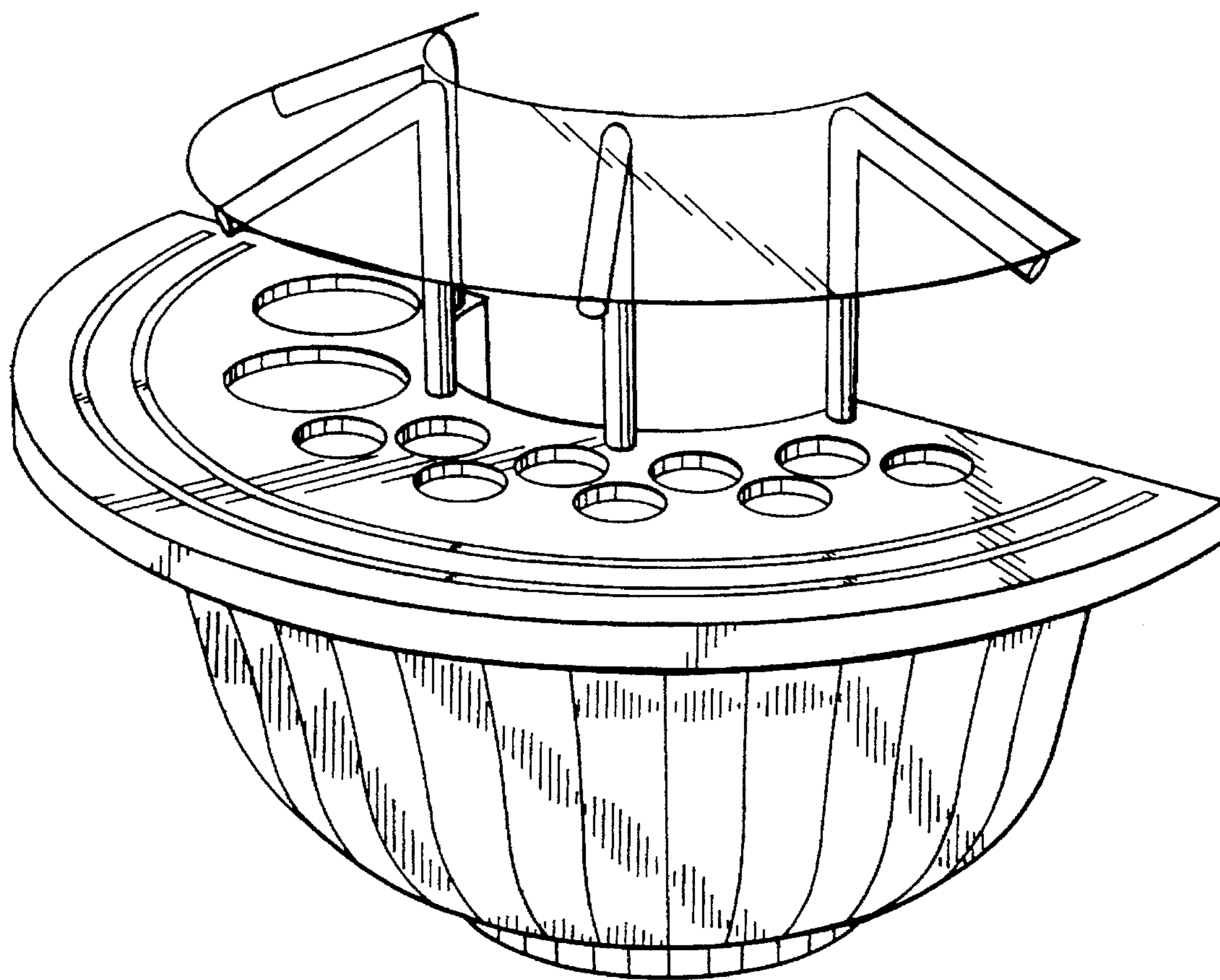


FIG 1

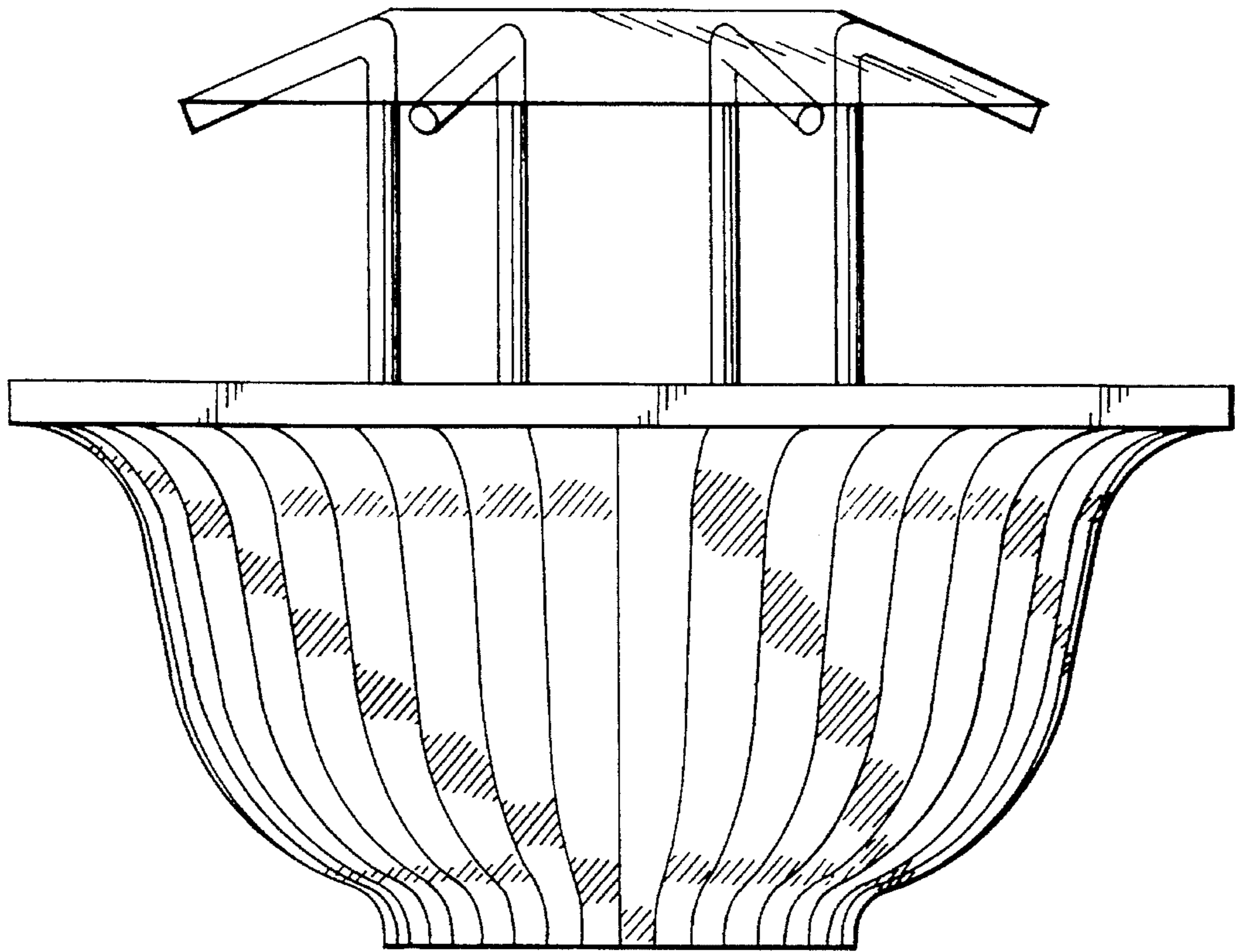


FIG 2

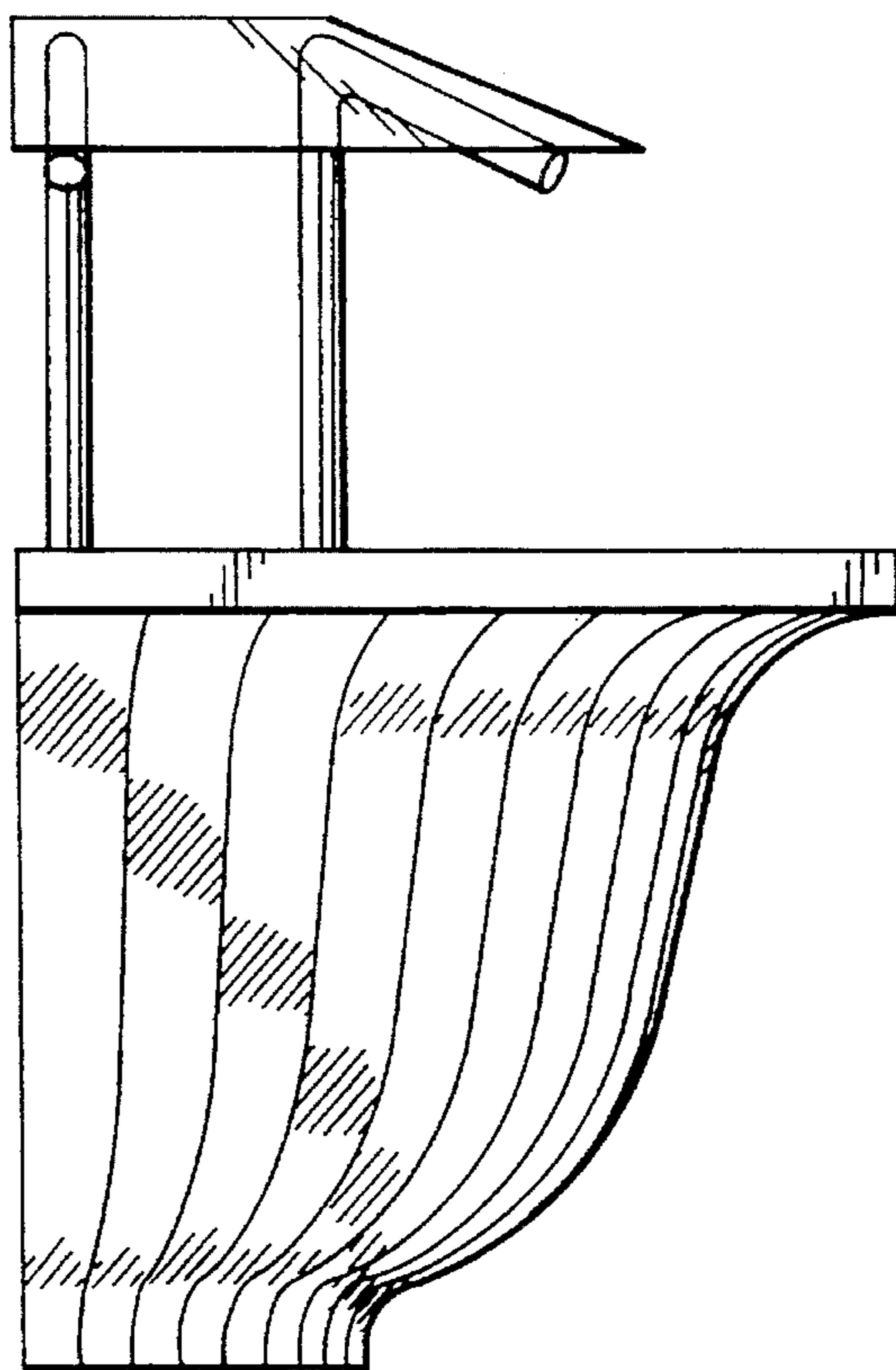


FIG 3

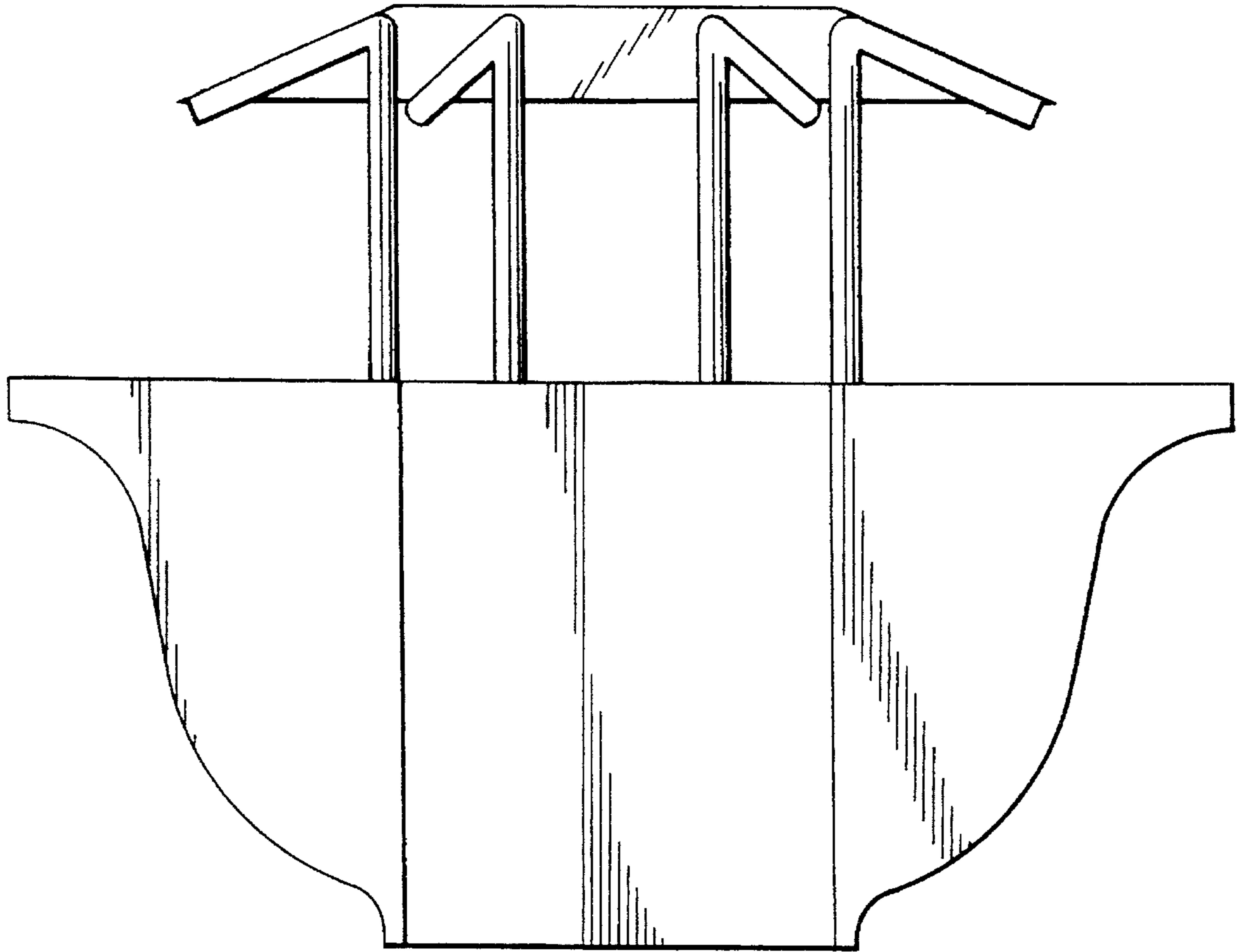


FIG 4

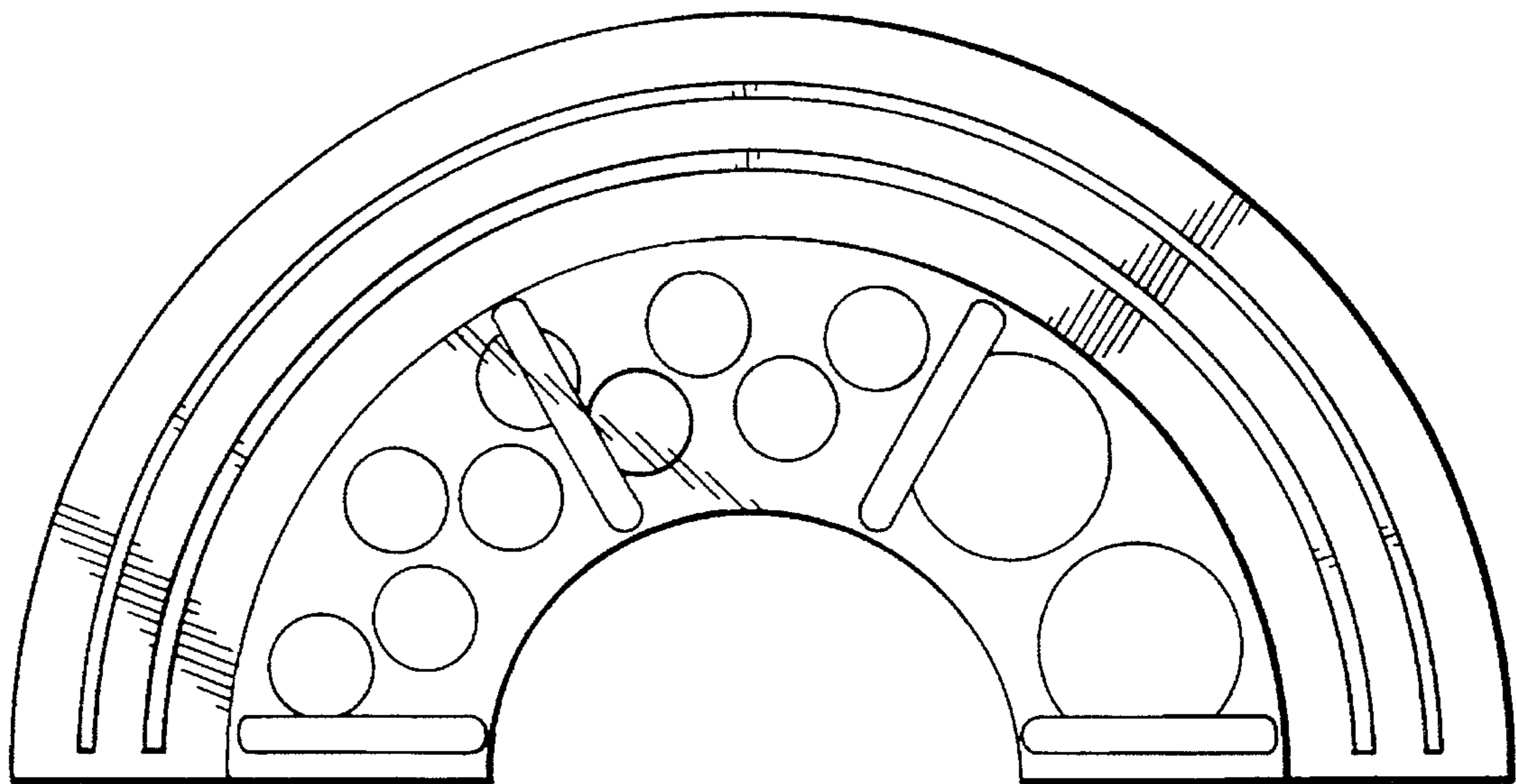


FIG 5

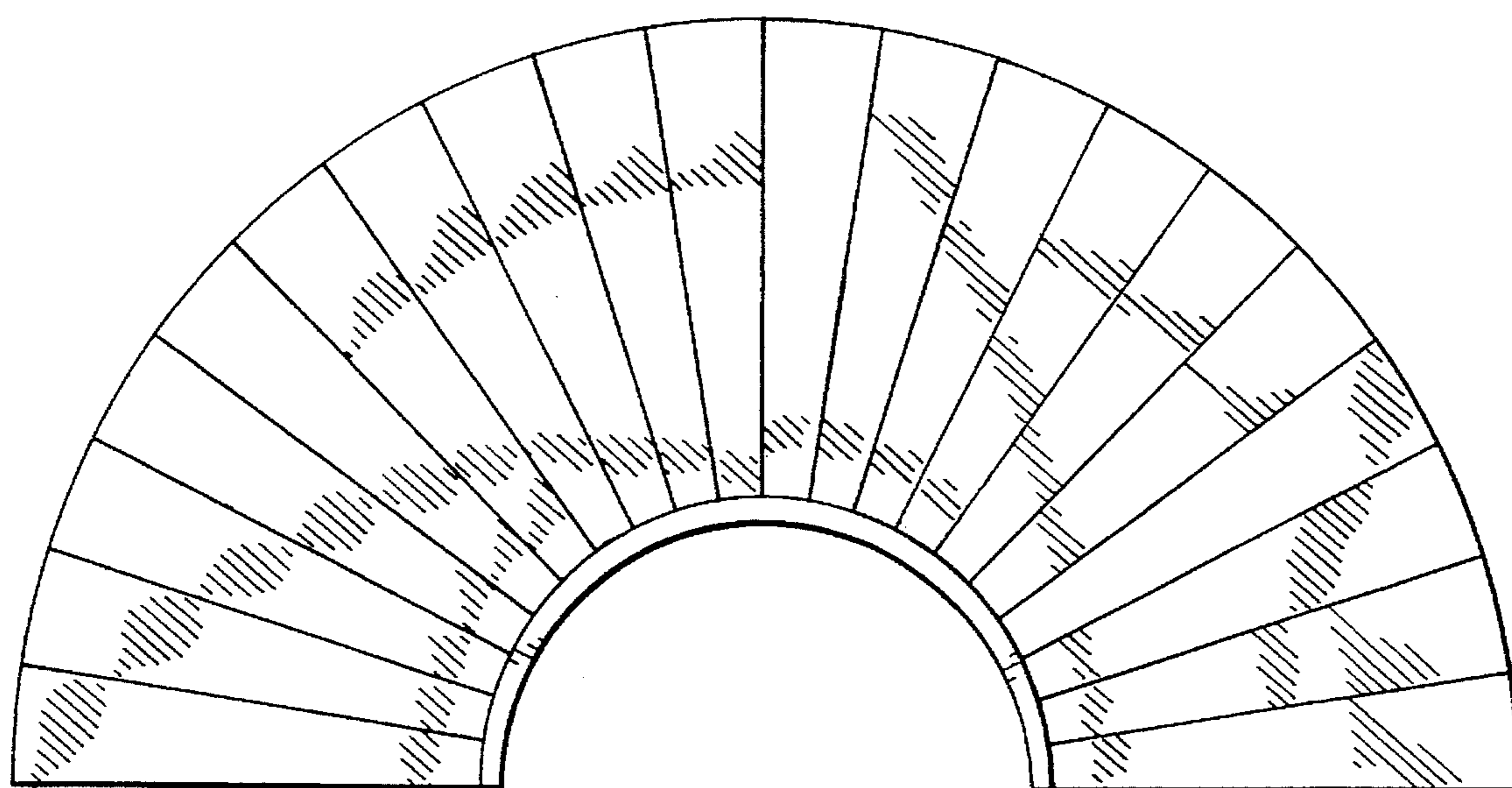


FIG 6