



US00D368605S

# United States Patent [19]

[11] Patent Number: **Des. 368,605**

Lechleiter et al.

[45] Date of Patent: **\*\*Apr. 9, 1996**

## [54] CONTROLLER STAND

[75] Inventors: **Paul R. Lechleiter, Powell; Mark B. Artus, Beechwold**, both of Ohio

[73] Assignee: **Blockbuster Entertainment Inc.**, Ft. Lauderdale, Fla.

[\*\*] Term: **14 Years**

[21] Appl. No.: **36,243**

[22] Filed: **Mar. 16, 1995**

[52] U.S. Cl. .... **D6/475**

[58] Field of Search ..... D6/470-475, 449; 312/33, 114, 116; 248/441.1

## [56] References Cited

### U.S. PATENT DOCUMENTS

D. 252,729	8/1979	Leahy, Jr. ....	D6/449 X
827,913	8/1906	Jensen .....	312/33 X
3,405,985	10/1968	Higer .....	312/114

*Primary Examiner*—Antoine Duval Davis  
*Attorney, Agent, or Firm*—Akin, Gump, Strauss, Hauer & Feld

## [57] CLAIM

The ornamental design for a controller stand, as shown and described.

## DESCRIPTION

FIG. 1 is a perspective view of a controller stand showing our new design;

FIG. 2 is a left side elevational view thereof;

FIG. 3 is a front elevational view thereof;

FIG. 4 is a top plan view thereof;

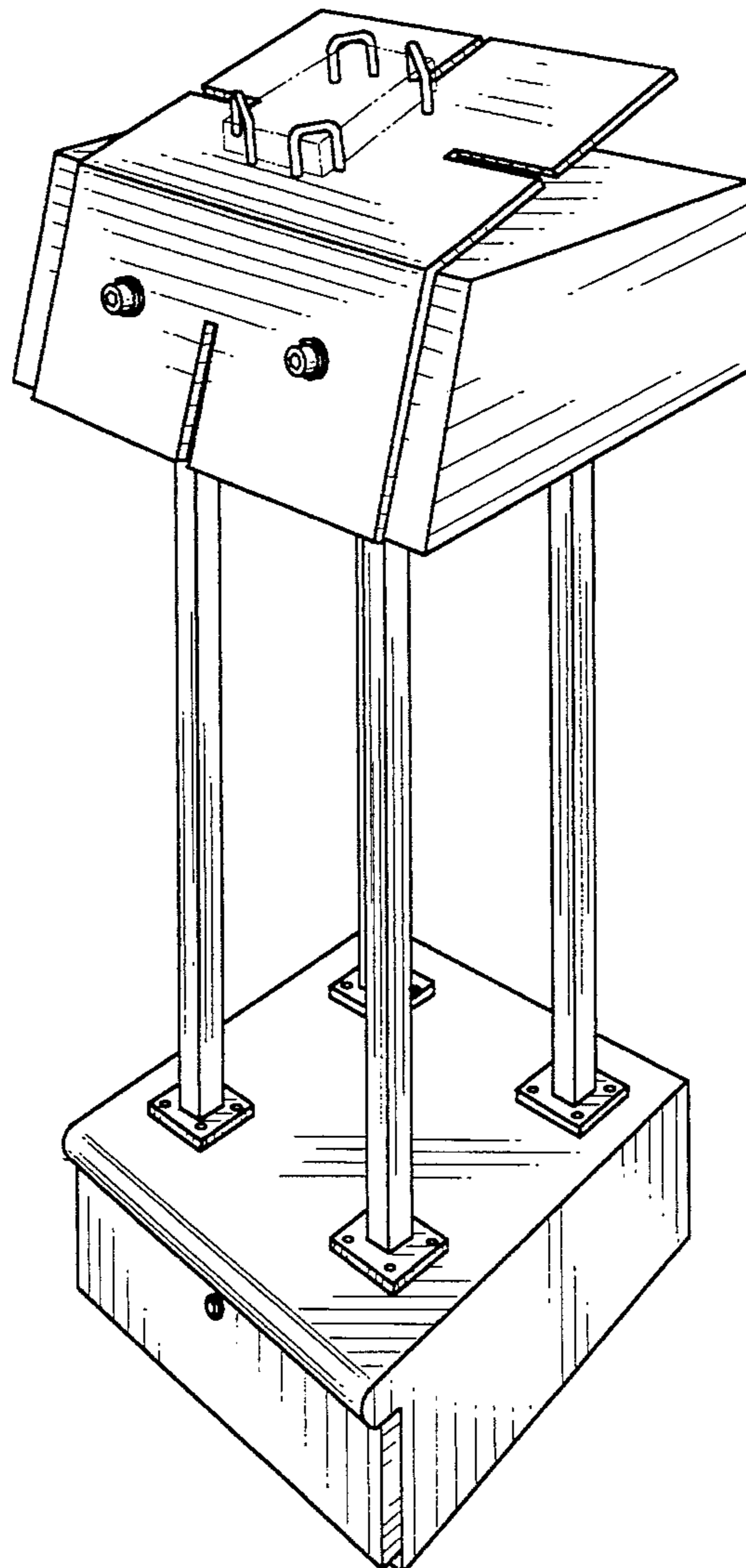
FIG. 5 is a right side elevational view thereof;

FIG. 6 is a rear elevational view thereof; and,

FIG. 7 is a bottom plan view thereof.

The broken line showing of a remote control is for illustrative purposes only and forms no part of the claimed design.

**1 Claim, 3 Drawing Sheets**



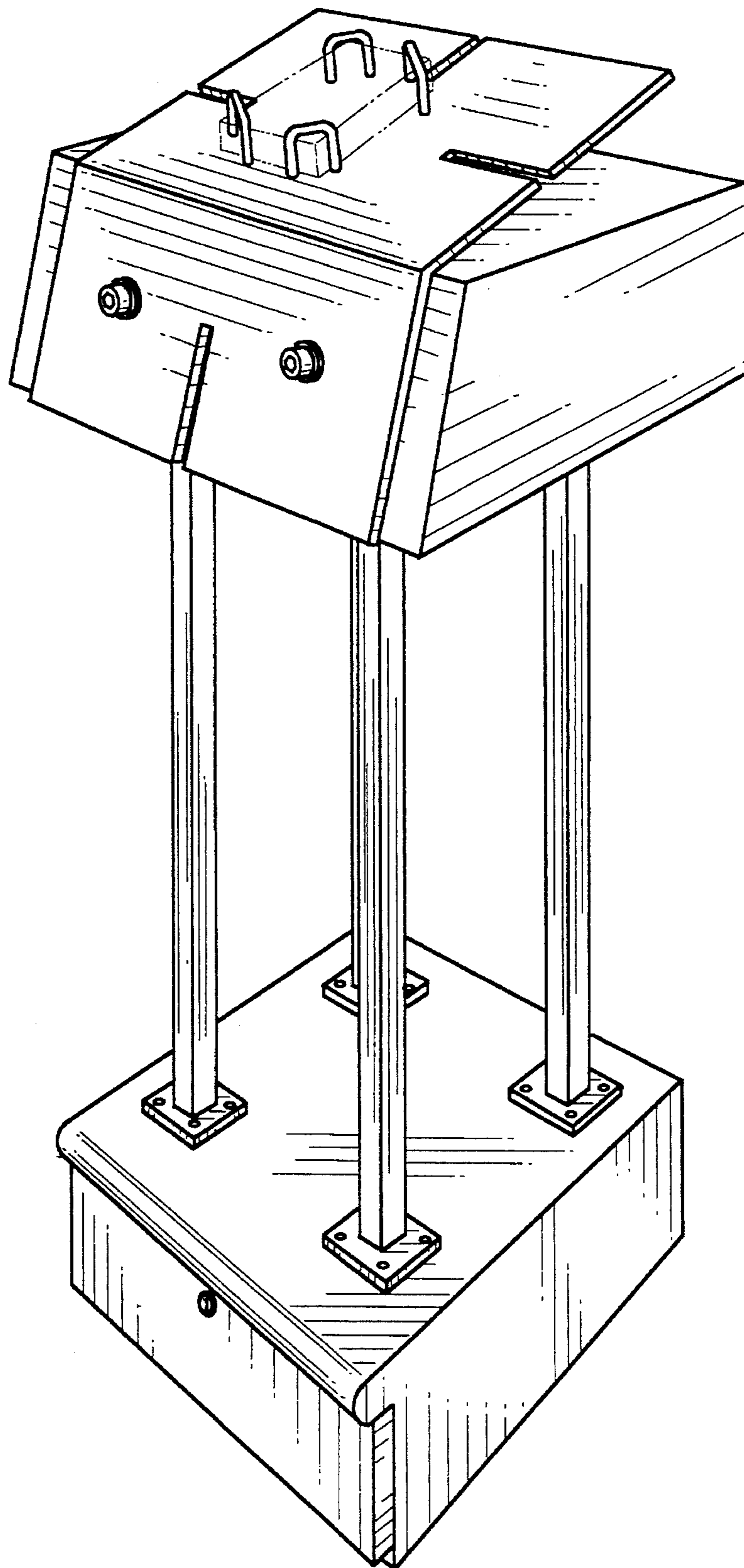


Fig. 1

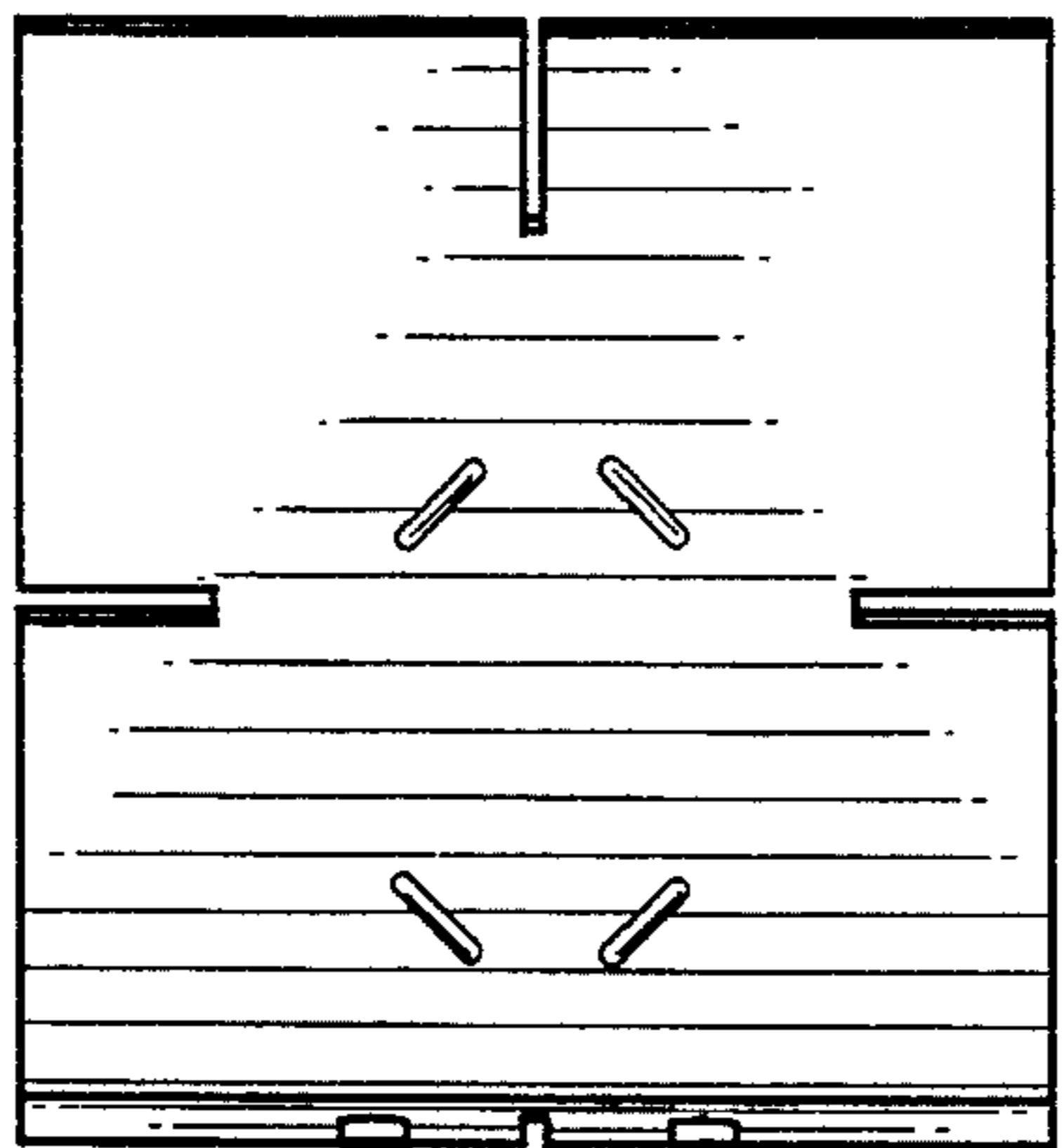


Fig. 4

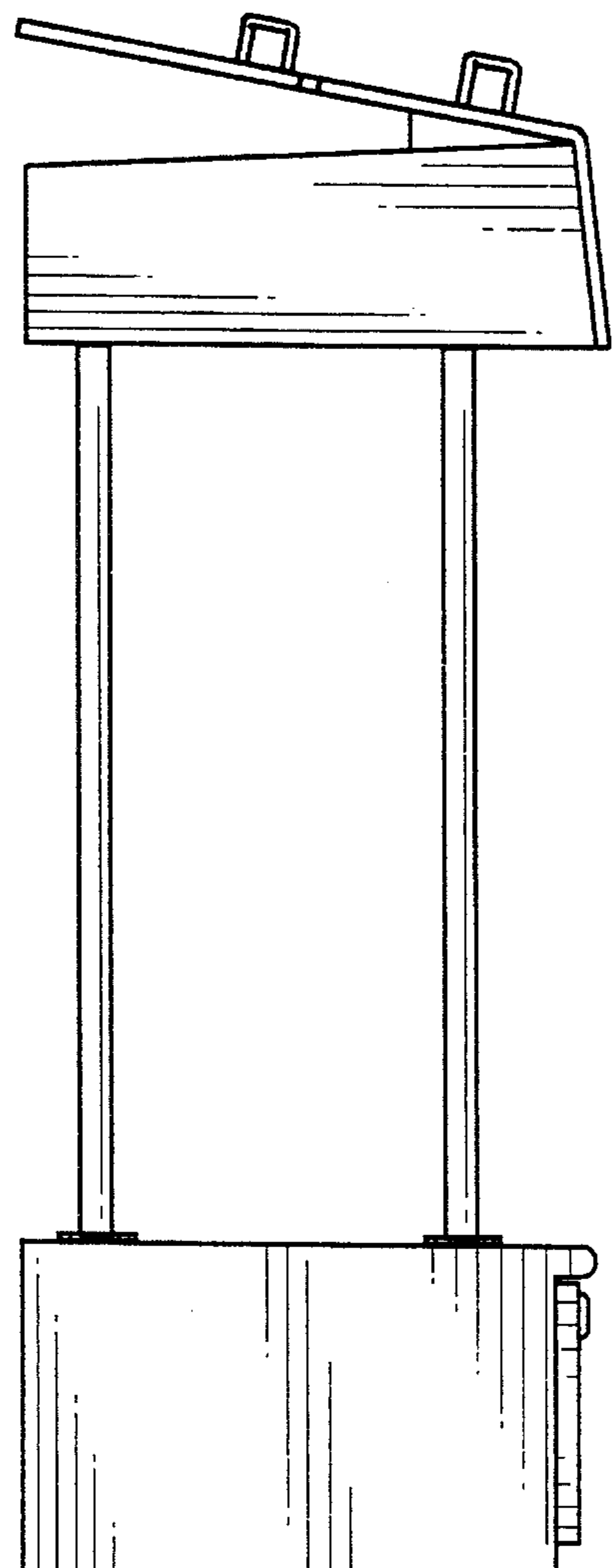


Fig. 2

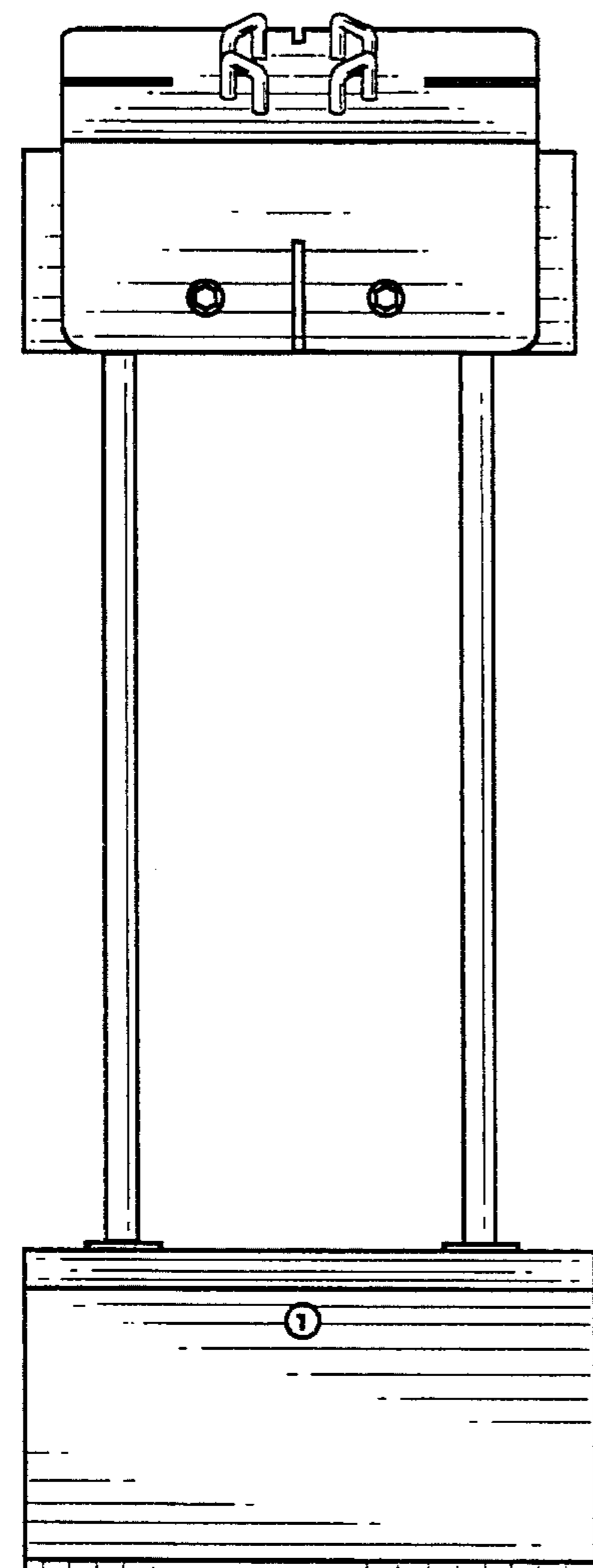


Fig. 3

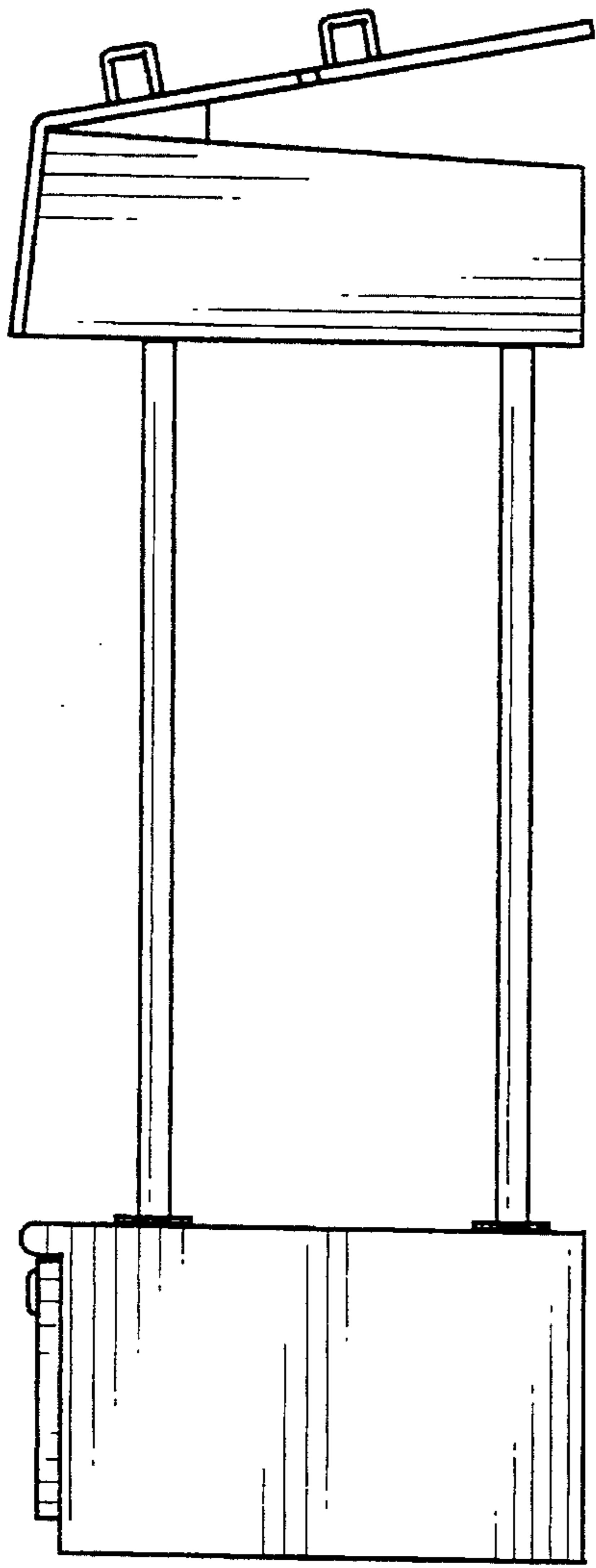


Fig. 5

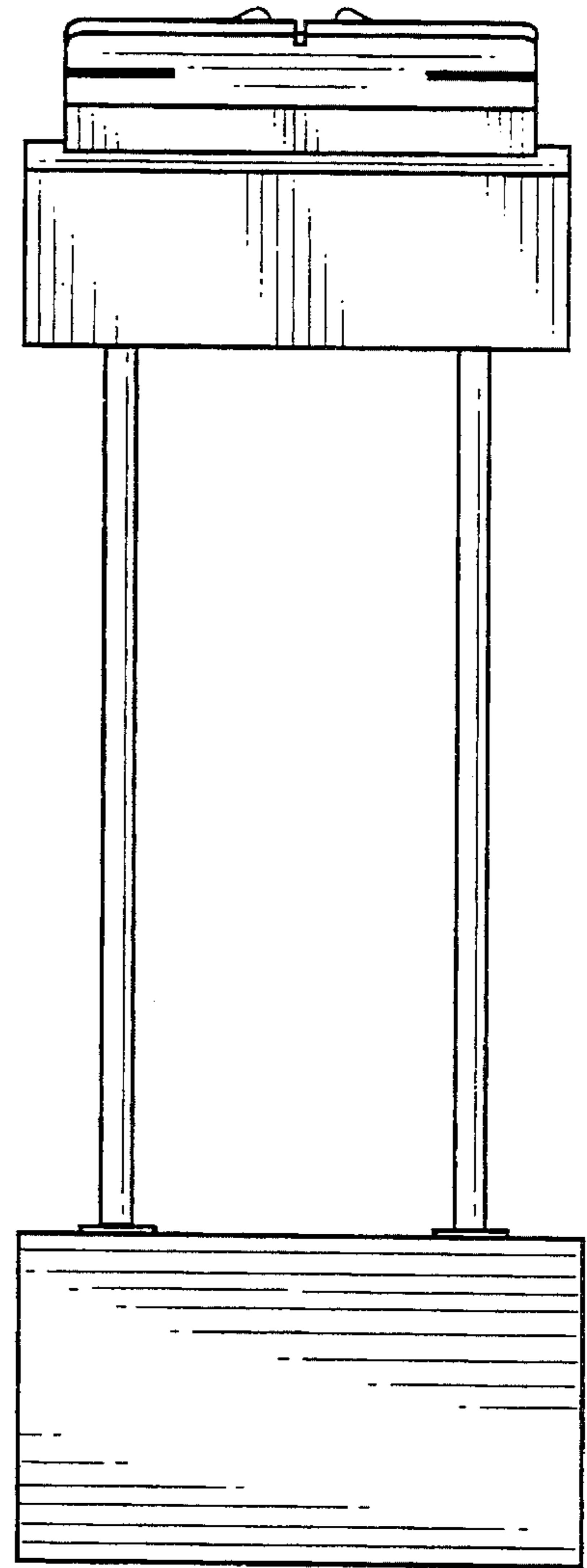


Fig. 6

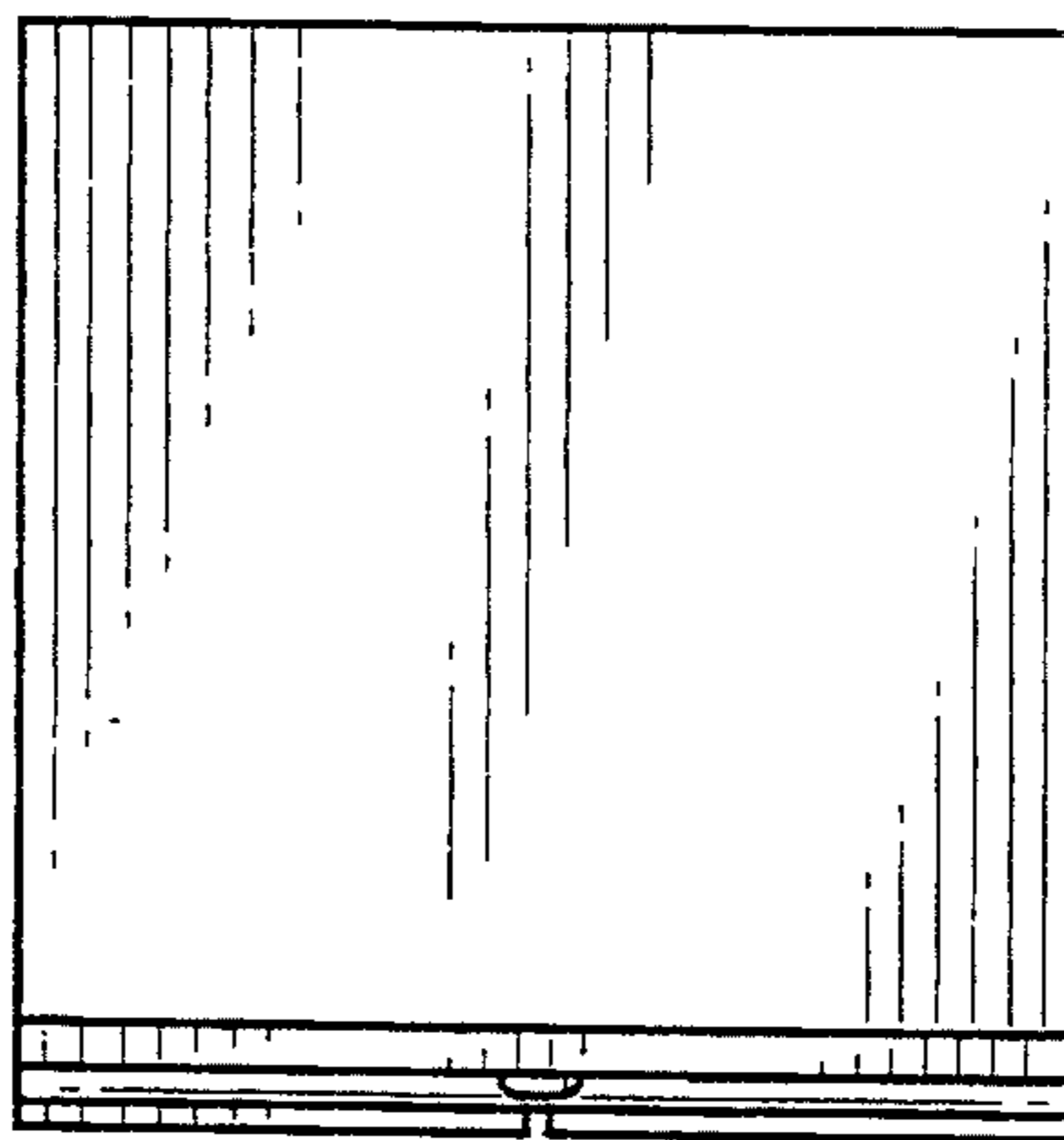


Fig. 7