



US00D368604S

# United States Patent [19]

[11] Patent Number: **Des. 368,604**

Gotham et al.

[45] Date of Patent: **\*\*Apr. 9, 1996**

[54] **COMPUTER OUTPUT MICROFILM  
PRINTER ACCESSORY CABINET**

[75] Inventors: **David R. Gotham; Ilija N. Bucukovski**, both of Rochester; **Eric Tyler**, Pittsford, all of N.Y.

[73] Assignee: **Eastman Kodak Company**, Rochester, N.Y.

[\*\*] Term: **14 Years**

[21] Appl. No.: **21,858**

[22] Filed: **Apr. 25, 1994**

[52] U.S. Cl. .... **D6/436; D6/446**

[58] Field of Search ..... **D6/396, 397, 432-438, D6/449, 454, 455; 312/223.1, 223.2, 223.3**

[56] **References Cited**

**U.S. PATENT DOCUMENTS**

- D. 229,139 11/1973 Peckenpaugh ..... D6/446
- D. 241,489 9/1976 Karlin ..... D6/446 X
- D. 318,582 7/1991 Hollington ..... D6/446
- D. 348,574 7/1994 Brunner et al. .... D6/446

**OTHER PUBLICATIONS**

"Modern Office" Furniture Catalog, Dec. 1993, p. 32, Item No. 1330, Tambour Door Hospitality Center.  
"Stow & Davis" Furniture Catalog, The Harwood Group,

Mar. 1952, p. 11, Item No. 21-TC, Telephone Table.

"Leopold" Furniture Catalog, The Master Streamline, Feb. 1948, Item No. MSL-34-C, Cabinet.

*Primary Examiner*—Alan P. Douglas  
*Assistant Examiner*—Cathron B. Matta  
*Attorney, Agent, or Firm*—Thomas H. Close

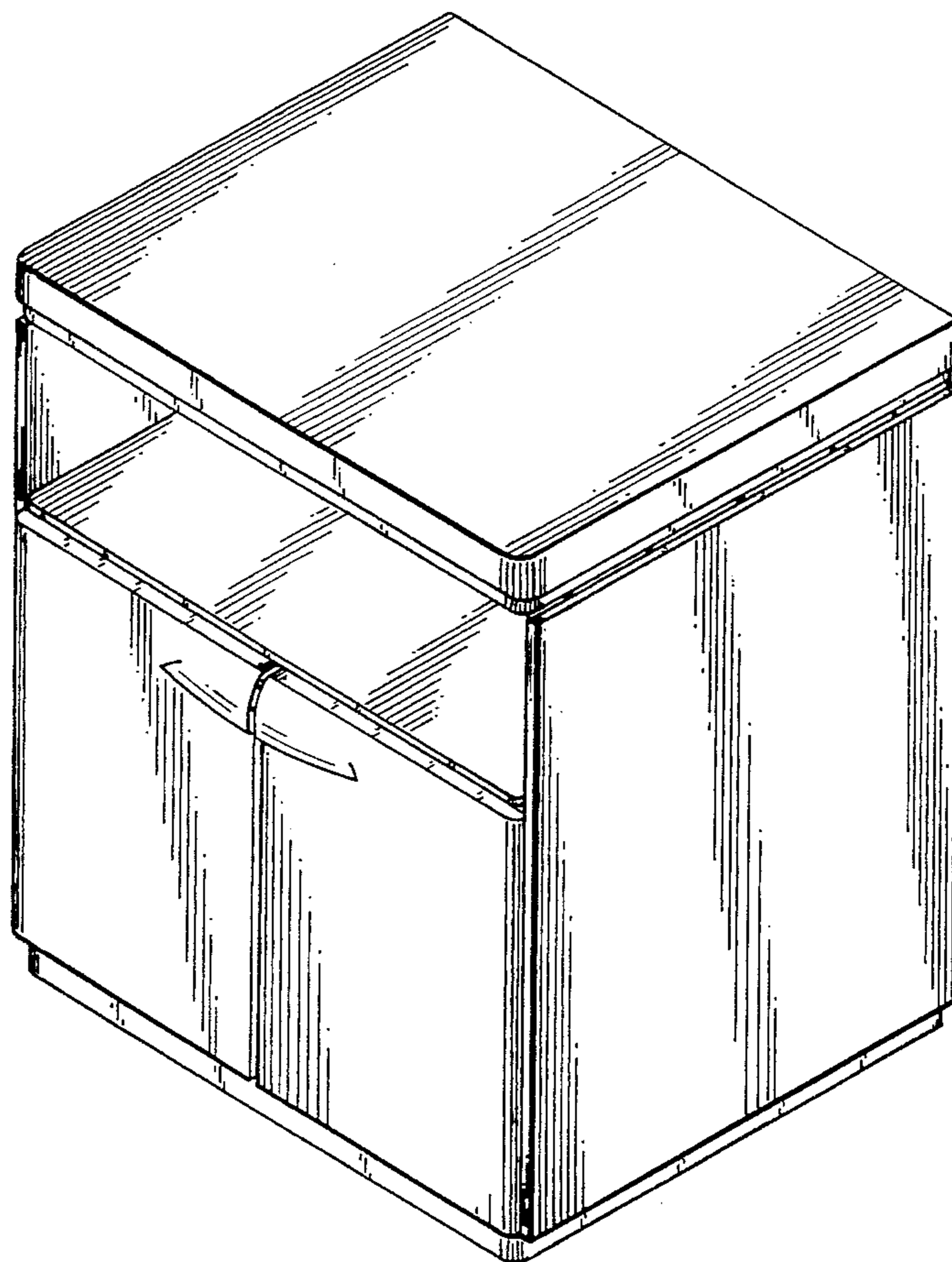
[57] **CLAIM**

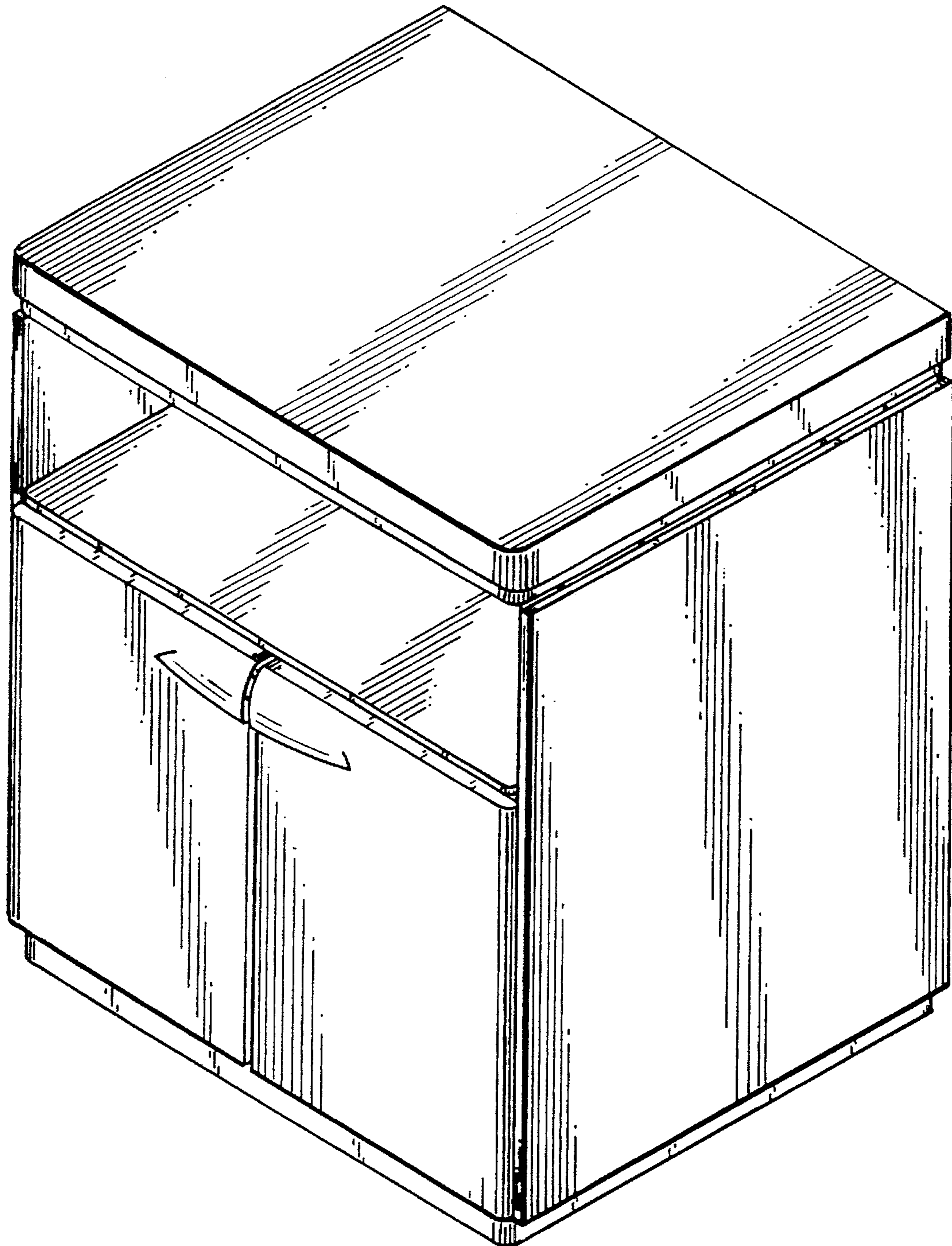
The ornamental design for a computer output microfilm printer accessory cabinet, as shown and described.

**DESCRIPTION**

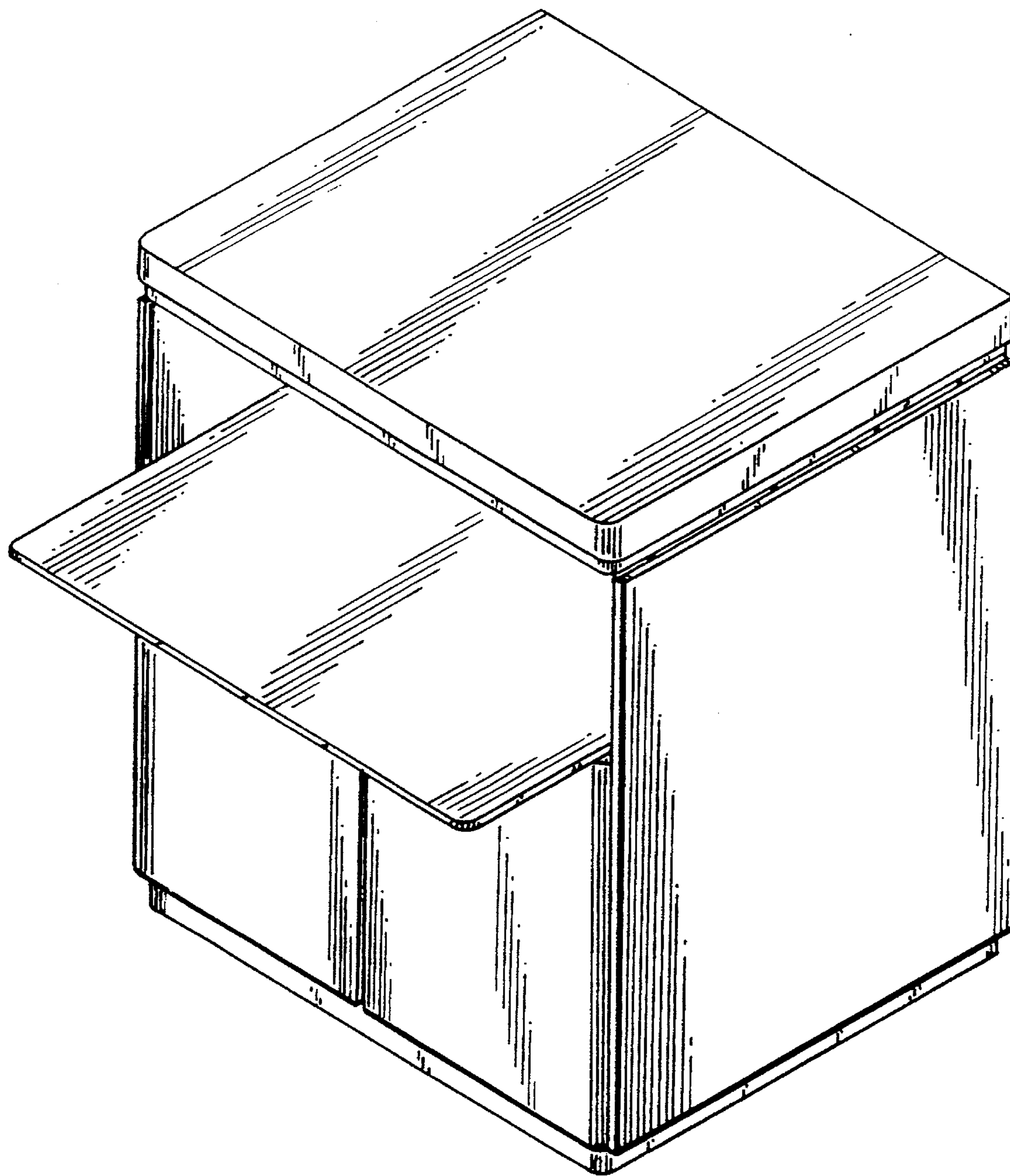
FIG. 1 is a top-front perspective view with shelf retracted;  
FIG. 2 is a top-front perspective view with shelf extended;  
FIG. 3 is a front view;  
FIG. 4 is a rear view;  
FIG. 5 is a right side view;  
FIG. 6 is a left side view;  
FIG. 7 is a top view; and,  
FIG. 8 is a bottom view.

**1 Claim, 8 Drawing Sheets**



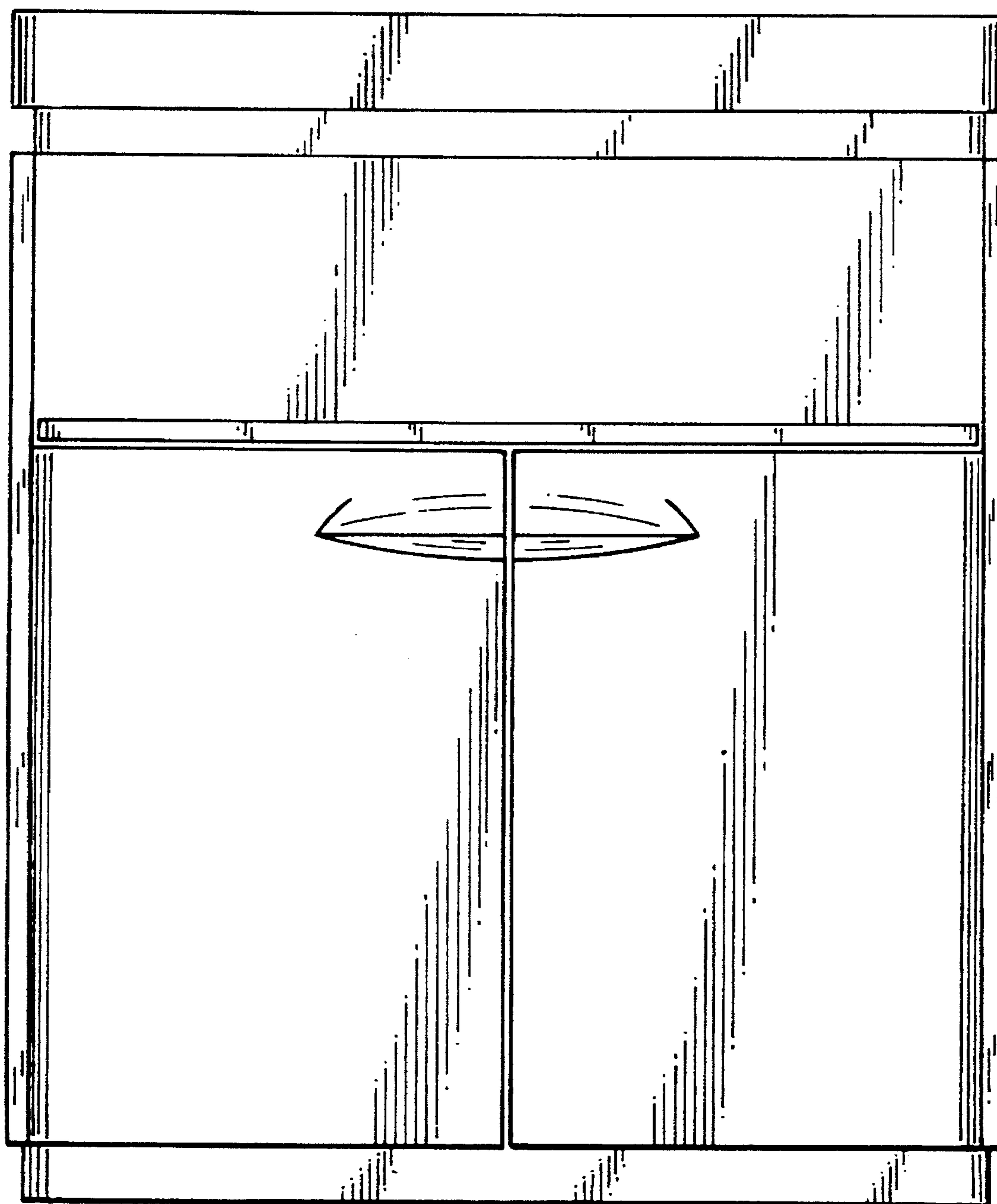


**FIG. 1**

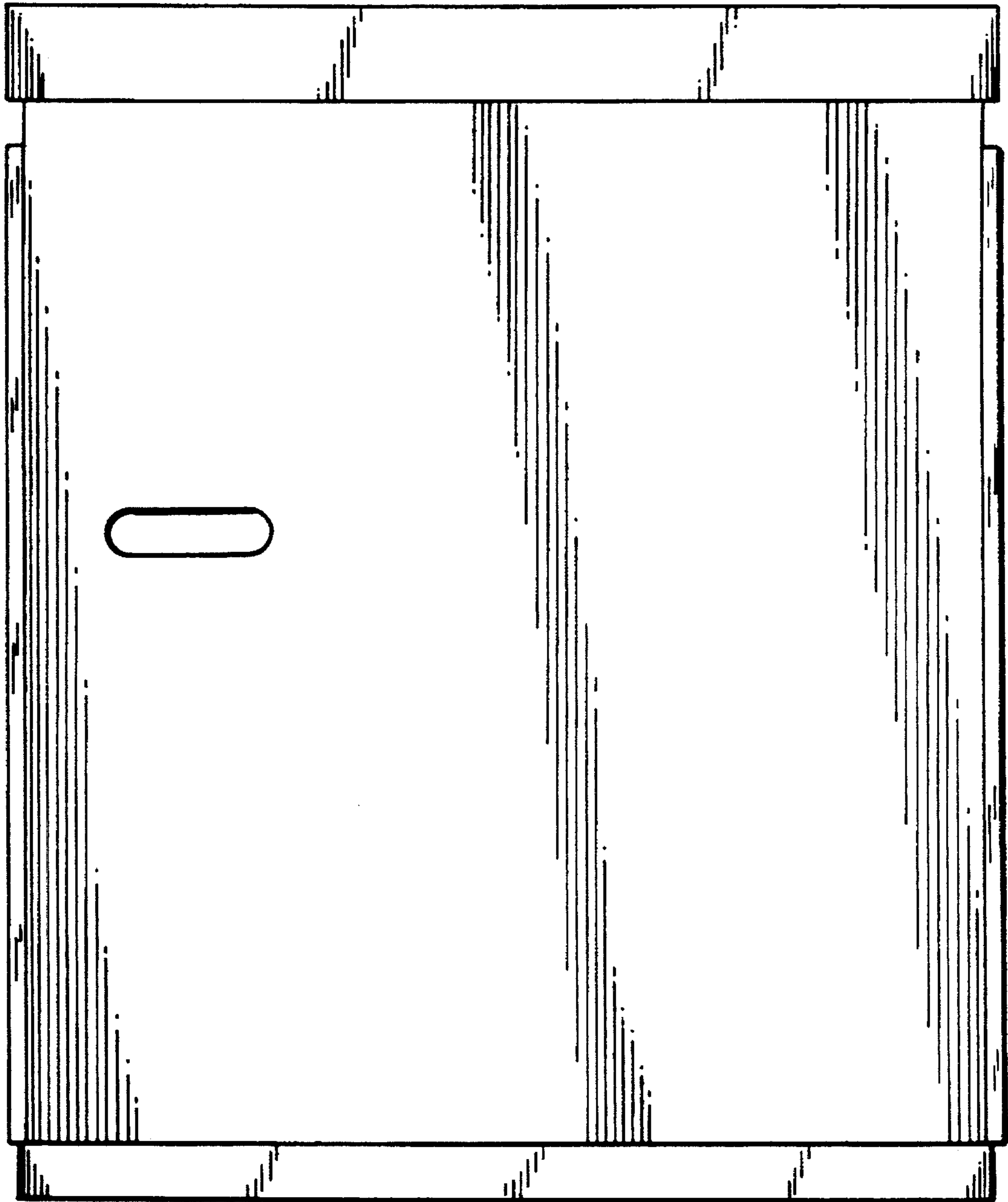


*FIG. 2*





*FIG. 3*



**FIG. 4**

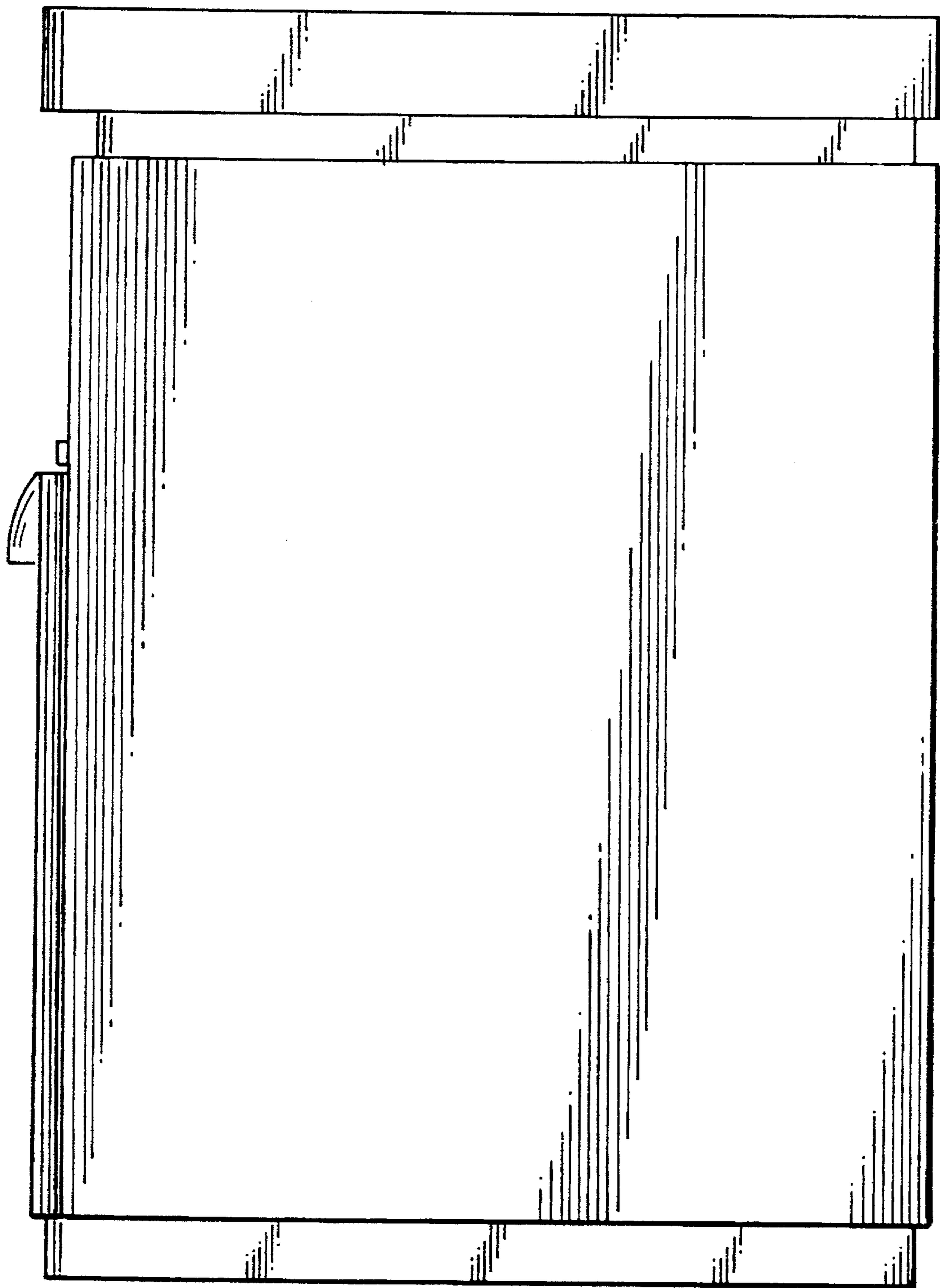


FIG. 5

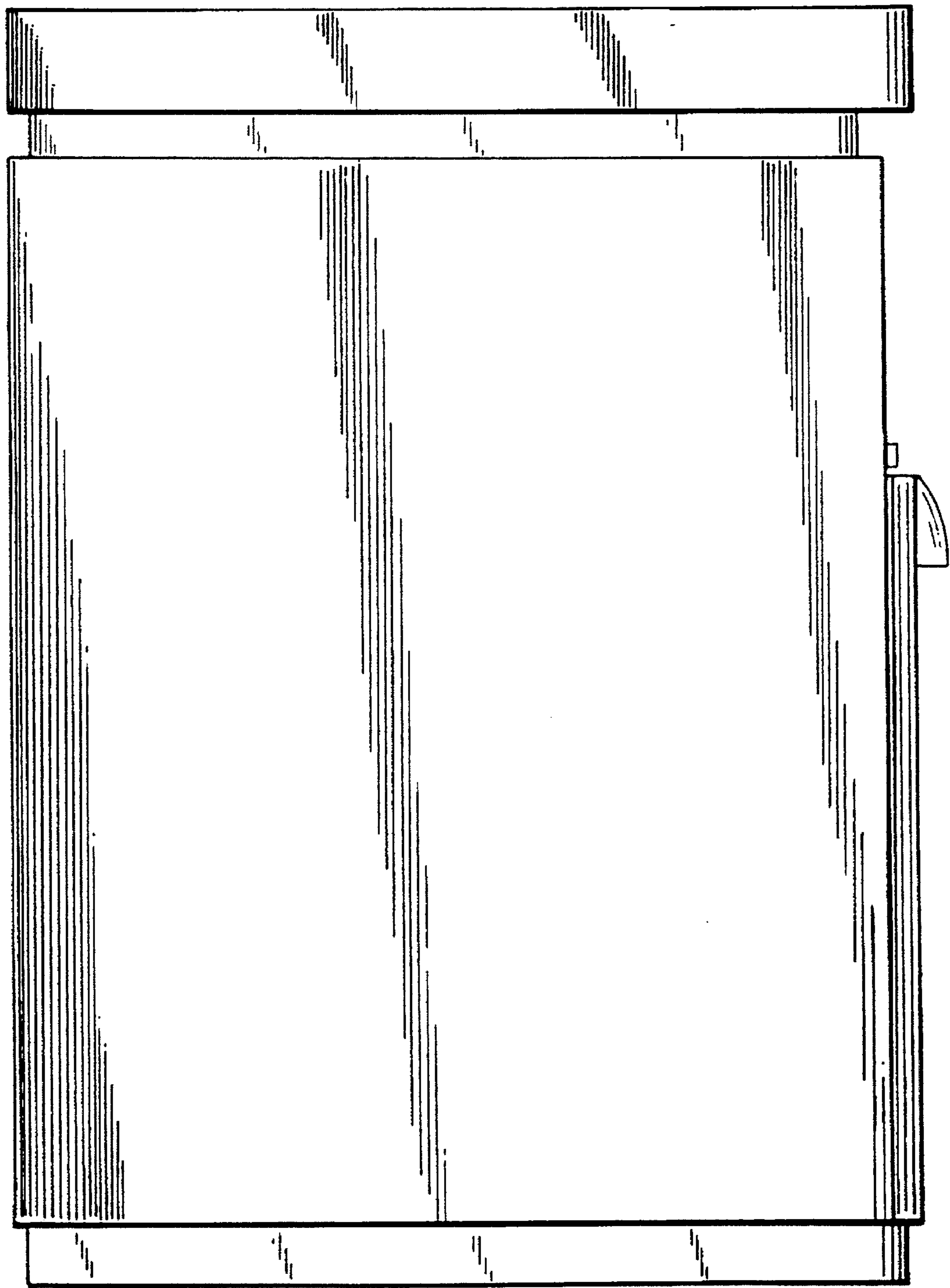


FIG. 6

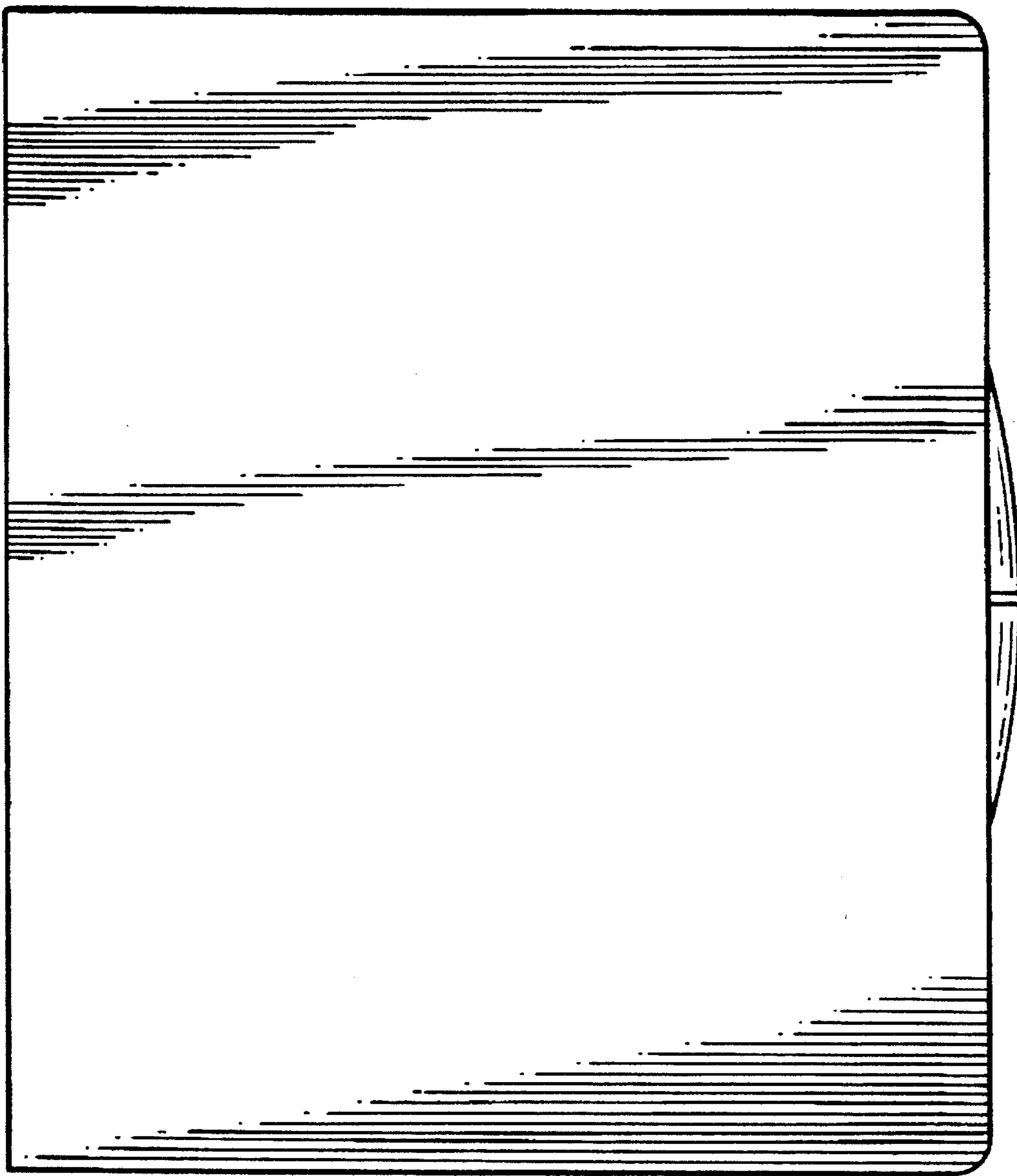


FIG. 7



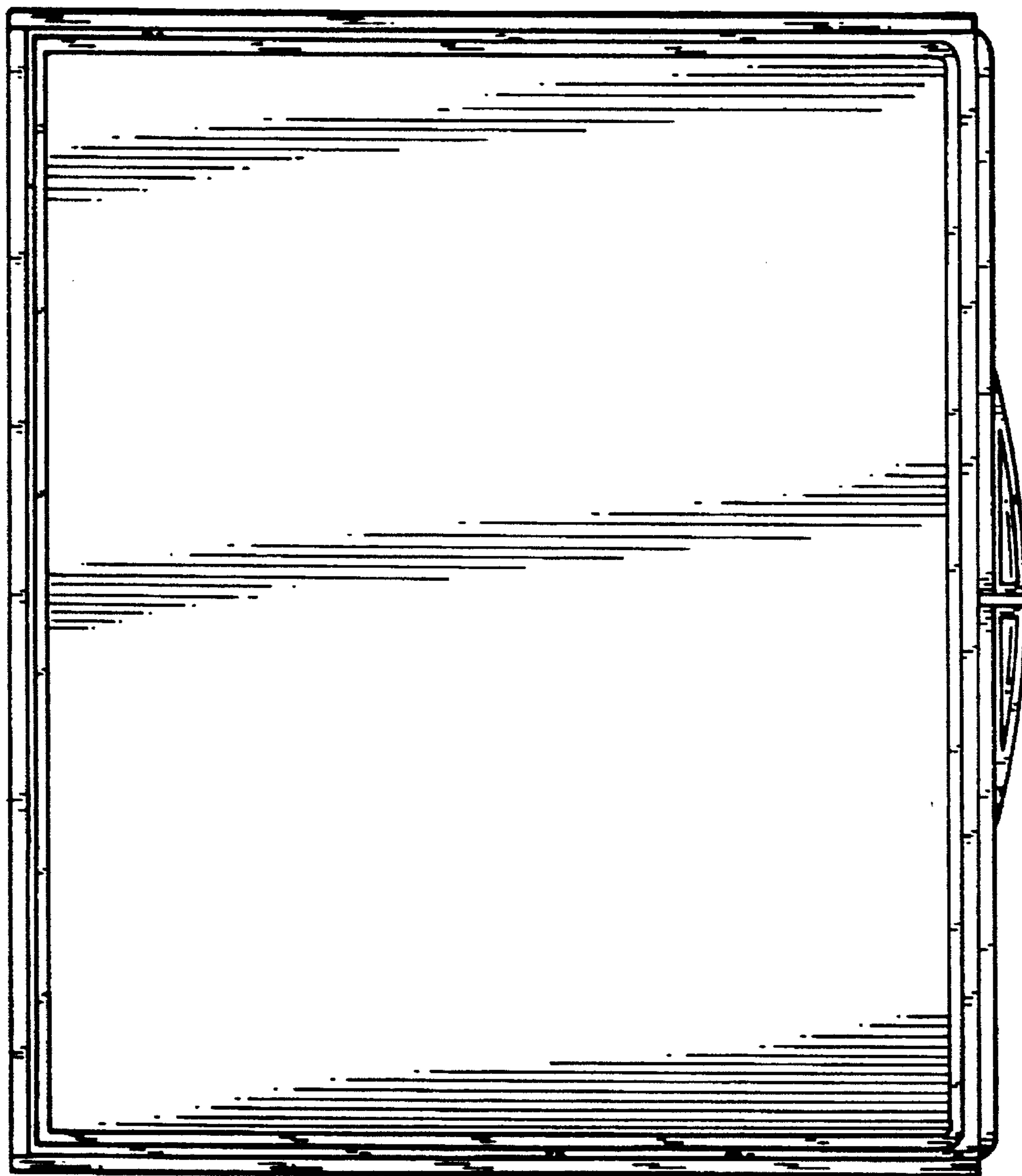


FIG. 8