



US00D368603S

# United States Patent [19] Ray

[11] Patent Number: **Des. 368,603**

[45] Date of Patent: **\*\*Apr. 9, 1996**

## [54] FOLDING STORAGE TABLE AND CABINET

[76] Inventor: **Ronald Ray**, 22304 City Center Dr.  
#3316, Hayward, Calif. 94541

[\*\*] Term: **14 Years**

[21] Appl. No.: **17,812**

[22] Filed: **Jan. 24, 1994**

[52] U.S. Cl. .... **D6/430; D6/440**

[58] Field of Search ..... D6/396, 397, 336,  
D6/432-448, 429-431; 312/244, 231; 297/37;  
190/11; D19/75, 36; 248/461, 156

### [56] References Cited

#### U.S. PATENT DOCUMENTS

D. 182,926	5/1958	Roeder .....	D6/430 X
D. 183,923	11/1958	Foster, Sr. ....	D6/429 X
D. 295,123	4/1988	Roberson, Sr. ....	D6/430
D. 335,895	5/1993	Chan .....	D19/75
D. 356,823	3/1995	Tarozzi .....	D19/36
458,155	8/1891	Dieterich .....	312/231
2,700,587	1/1955	Godfrey .....	312/231
3,031,247	4/1962	Schiene .....	312/231
3,073,057	1/1963	Farber .....	248/461
3,168,363	2/1965	Monsour .....	312/231
4,047,309	9/1977	Royko .....	248/461 X

## FOREIGN PATENT DOCUMENTS

550632	12/1922	France .....	190/11
2347965	4/1975	Germany .....	190/11
181934	4/1936	Switzerland .....	190/11

*Primary Examiner*—Carmen H. Vales-Lado  
*Attorney, Agent, or Firm*—Linval B. Castle

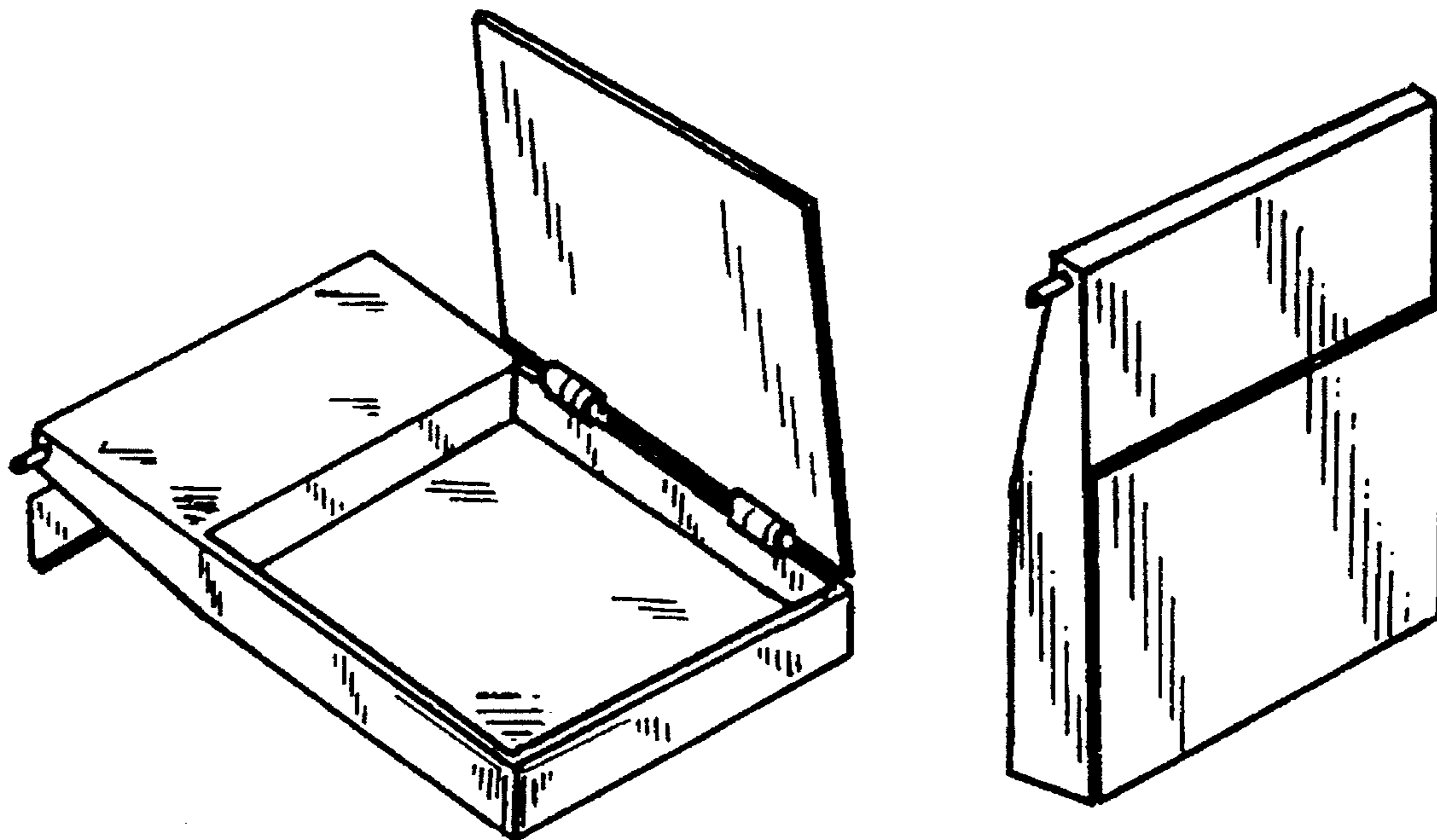
### [57] CLAIM

The ornamental design for a folding storage table and cabinet, as shown and described.

### DESCRIPTION

FIG. 1 is a side elevational view of a folding storage table and cabinet, showing my new design, the opposite side being a mirror image thereof;  
 FIG. 2 is a top plan view thereof;  
 FIG. 3 is a bottom view thereof and illustrates one of the two brackets in a folded position;  
 FIG. 4 is an end elevational view thereof, the opposite end being a mirror image thereof;  
 FIG. 5 is a reduced scale perspective view thereof in a position for use; and,  
 FIG. 6 is a reduced scale perspective view thereof in its folded position.

1 Claim, 1 Drawing Sheet



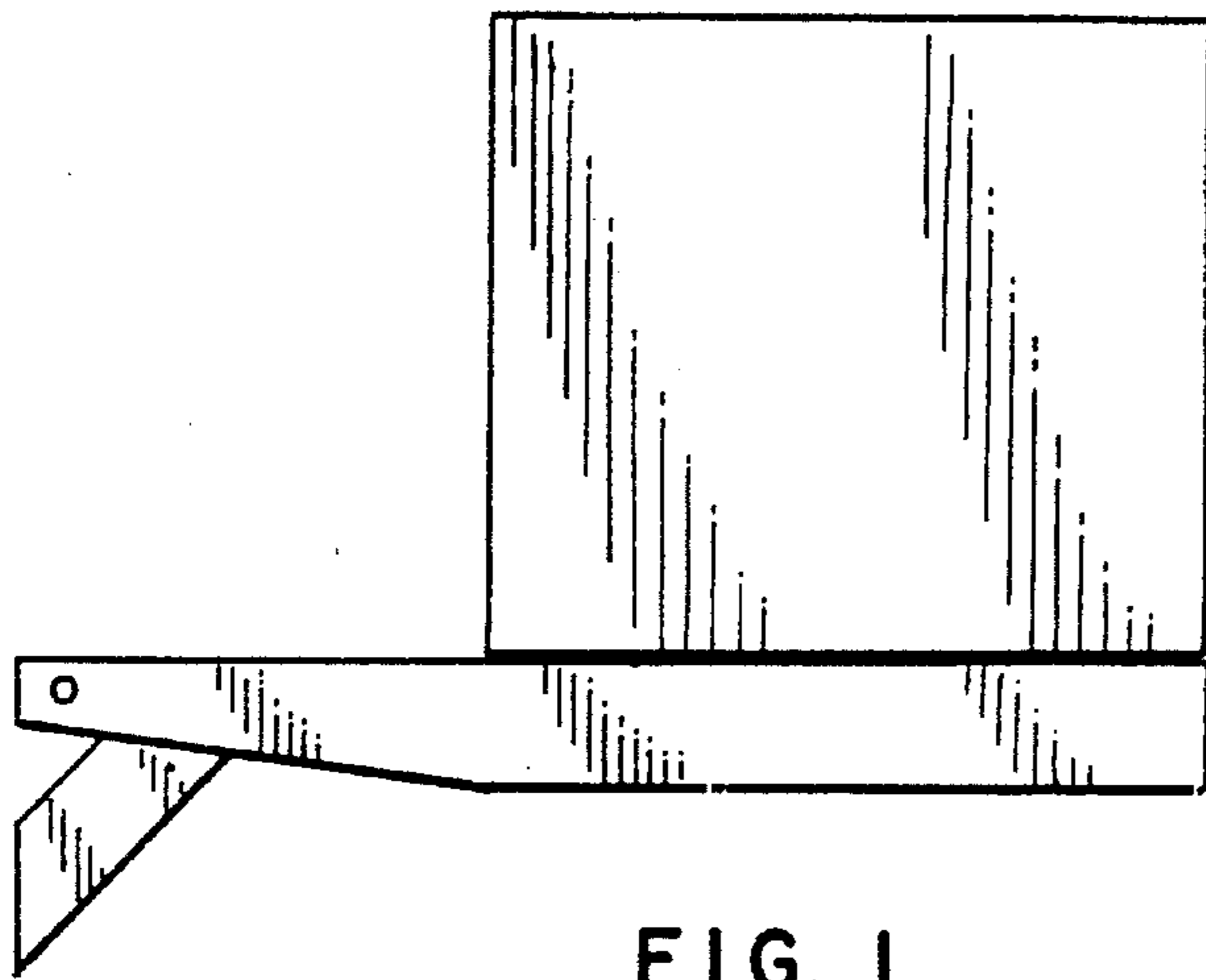


FIG. 1

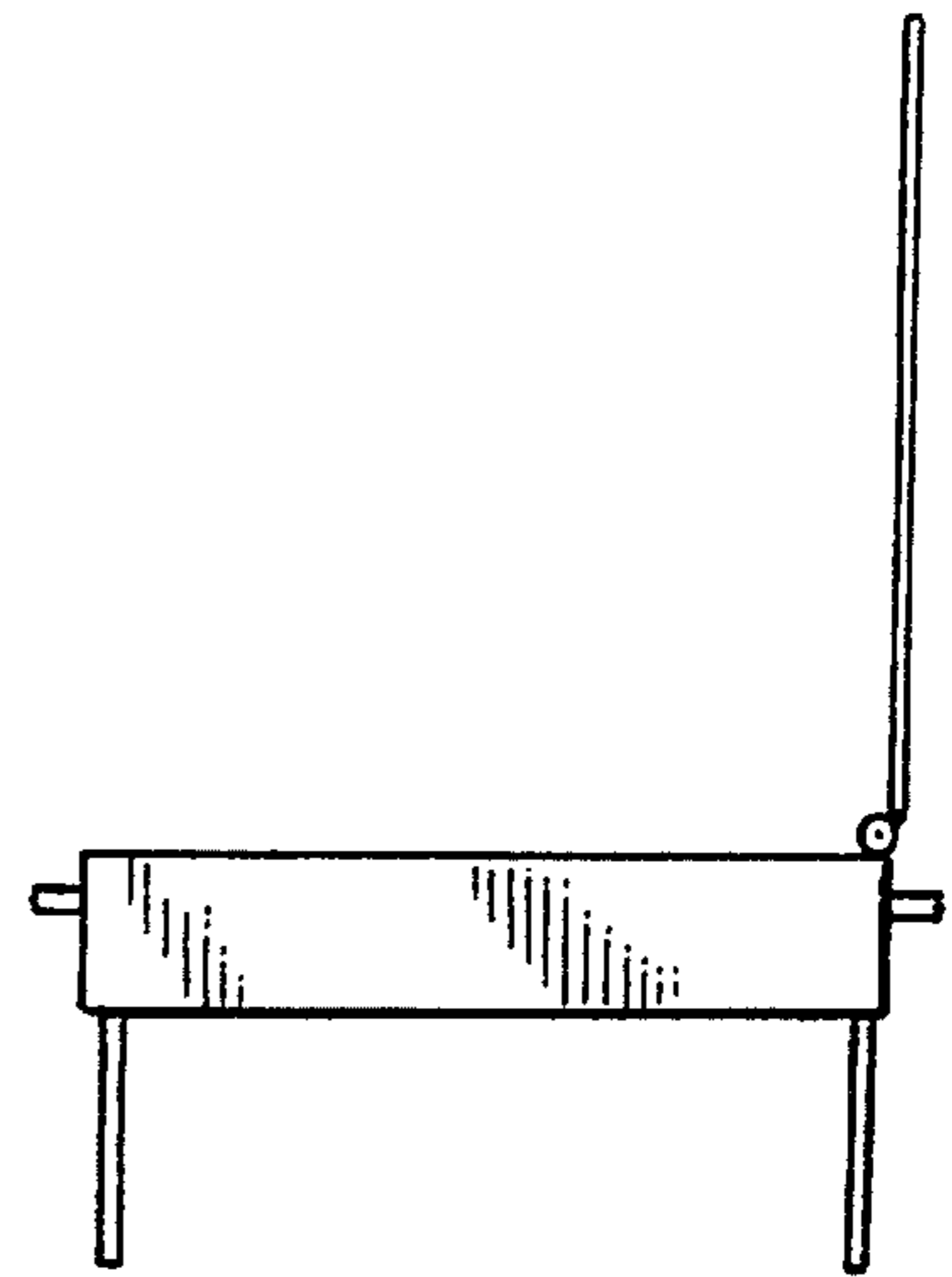


FIG. 4

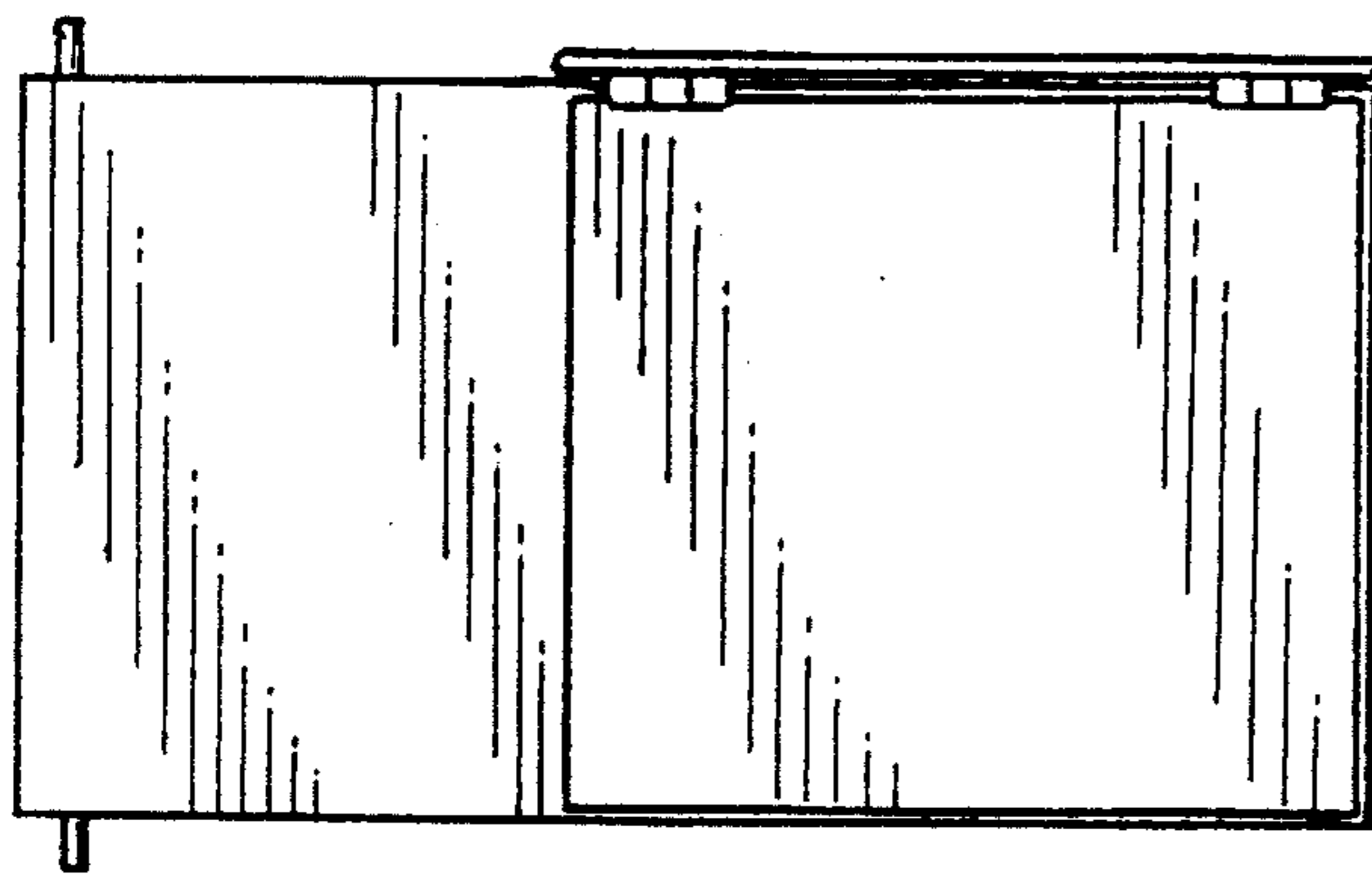


FIG. 2

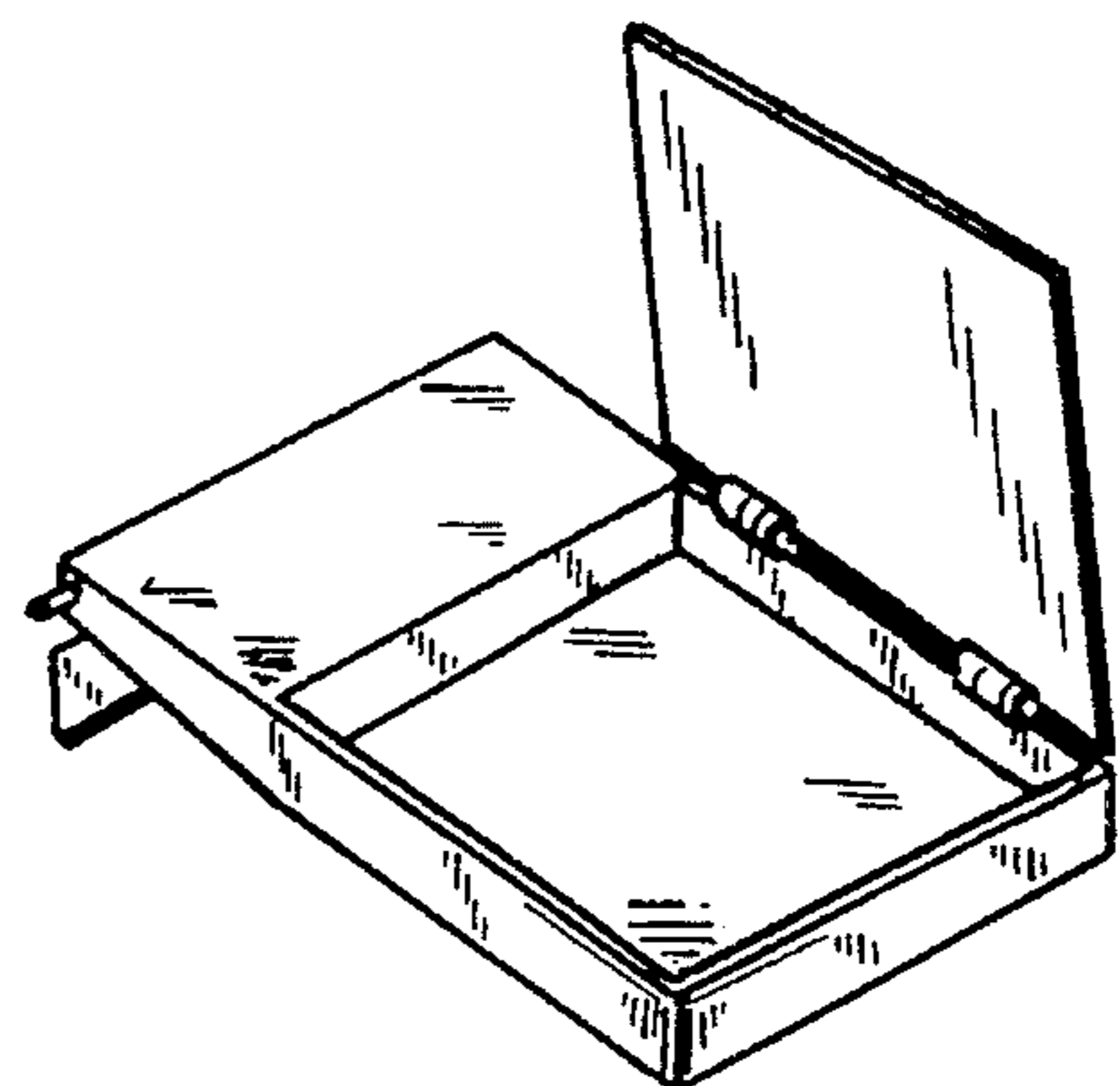


FIG. 5

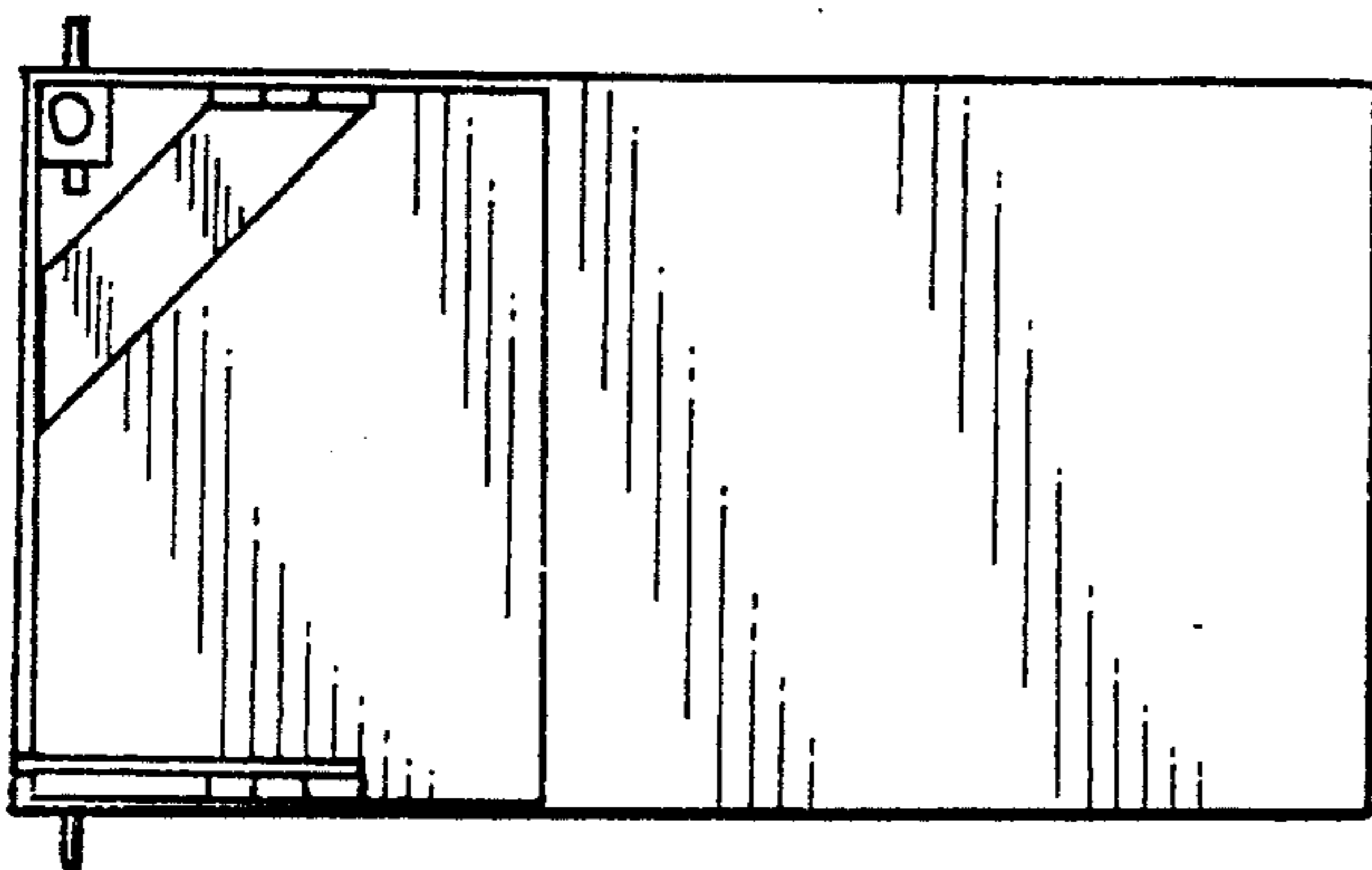


FIG. 3

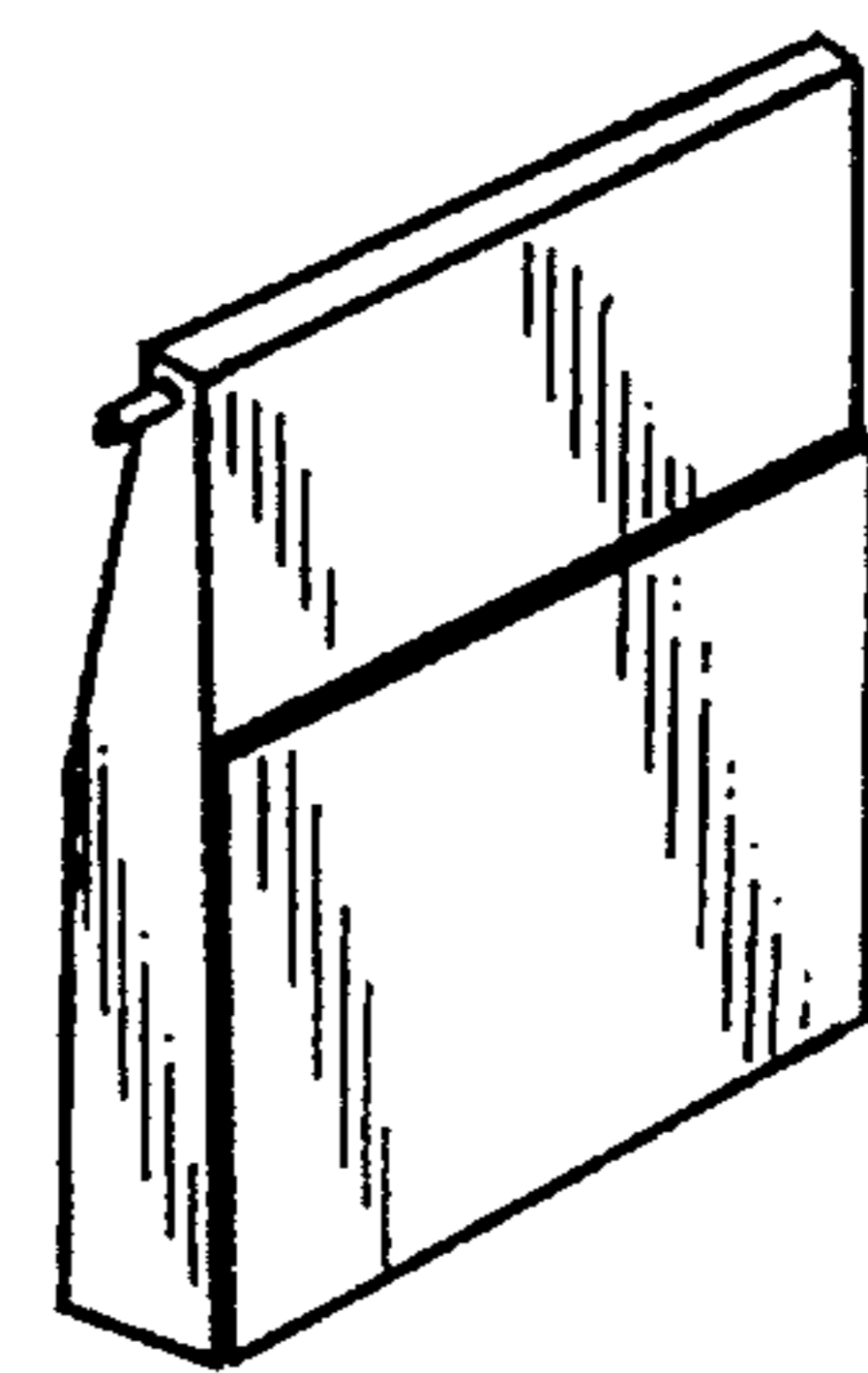


FIG. 6