



US00D368602S

United States Patent [19] Jordan

[11] **Patent Number:** **Des. 368,602**
[45] **Date of Patent:** ****Apr. 9, 1996**

[54] **COMBINED BOOK SUPPORT AND BEVERAGE HOLDER STAND**

[76] Inventor: **Timothy D. Jordan**, 5109 - 46th Street, Leduc, Alberta, Canada, T9E 6K3

[**] Term: **14 Years**

[21] Appl. No.: **36,655**

[22] Filed: **Mar. 24, 1995**

[52] U.S. Cl. **D6/397**; D6/419

[58] **Field of Search** D6/396-397, 399, D6/419, 417, 420; 1/406, 418; D7/619, 620, 621, 336; 248/453, 454, 455, 456, 441.1, 444.1; D19/91, 90, 88

[56] **References Cited**

U.S. PATENT DOCUMENTS

54,919	5/1866	Kast	248/454
D. 99,414	4/1936	O'Neill	D6/397
D. 323,752	2/1992	Montagner	D6/420
D. 335,994	6/1993	Cude, Jr.	D6/417 X
D. 362,130	9/1995	Alba	D6/399
822,191	5/1906	Dana	248/455
2,612,721	10/1952	Pollard	248/441.1

4,596,372	6/1986	Ford	248/444.1
5,035,464	7/1991	Spallholtz	D6/406 X
5,199,680	4/1993	Rivera	248/441.1
5,351,927	10/1994	Howell	248/444.1

FOREIGN PATENT DOCUMENTS

618014	2/1949	United Kingdom	248/453
--------	--------	----------------	---------

Primary Examiner—Carmen H. Vales-Lado

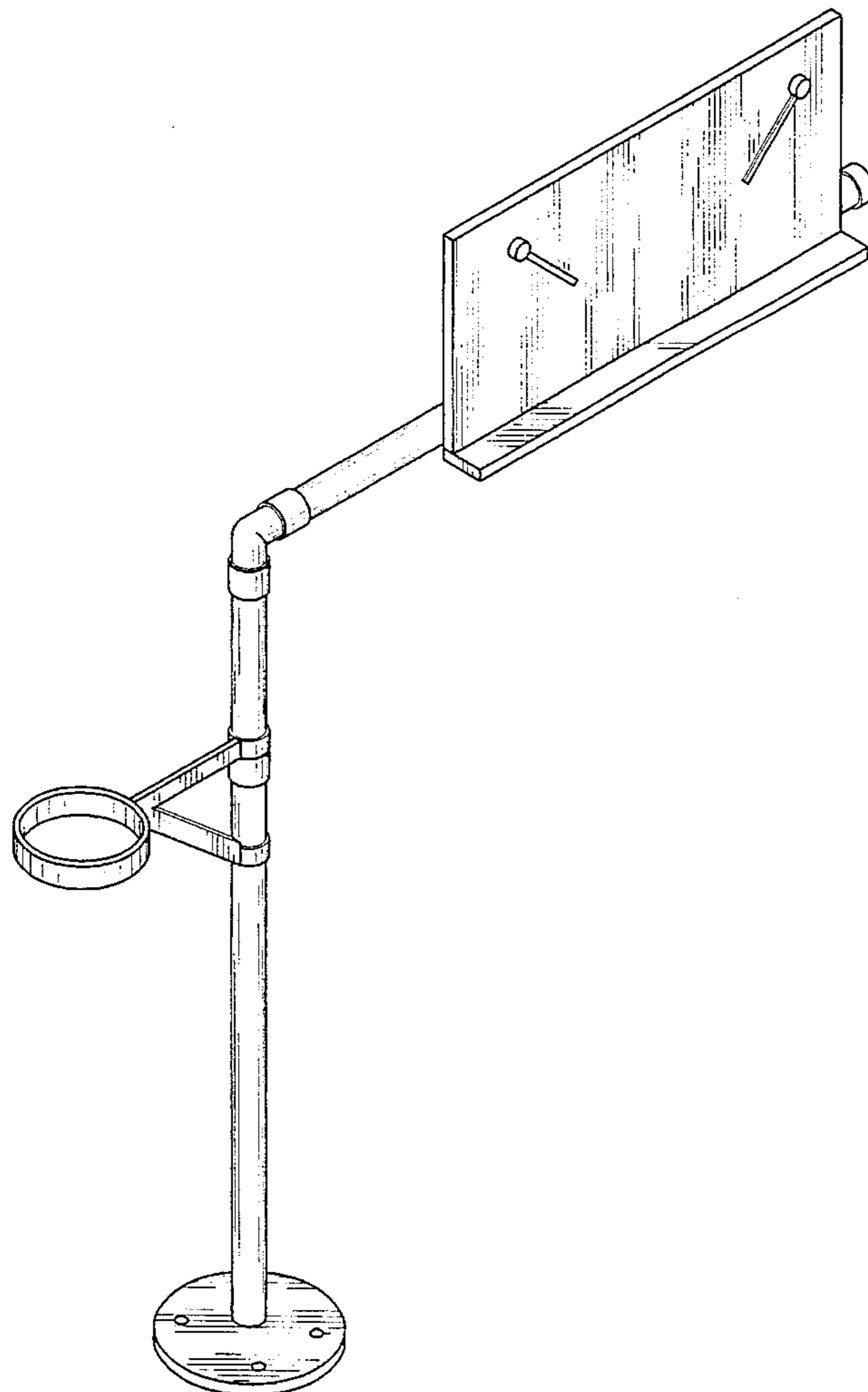
[57] **CLAIM**

The ornamental design for a combined book support and beverage holder stand, as shown and described.

DESCRIPTION

FIG. 1 is a front elevational view of the combined book support and beverage holder stand showing my new design; FIG. 2 is a rear elevational view thereof; FIG. 3 is a left side elevational view thereof; FIG. 4 is a right side elevational view thereof; FIG. 5 is a top plan view thereof; FIG. 6 is a bottom plan view thereof; FIG. 7 is a perspective view in use for reading; and, FIG. 8 is a perspective view in use for writing.

1 Claim, 4 Drawing Sheets



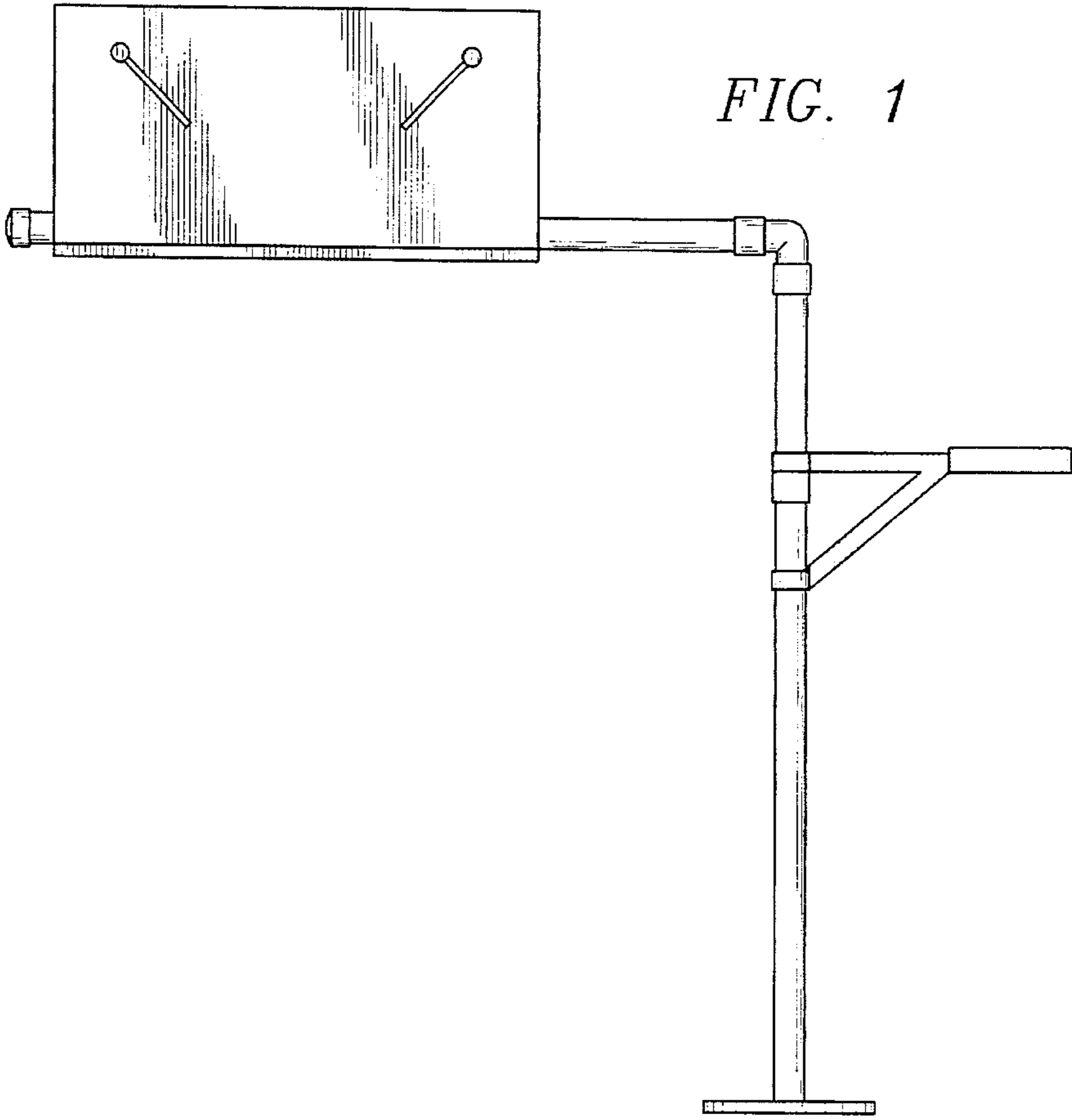


FIG. 1

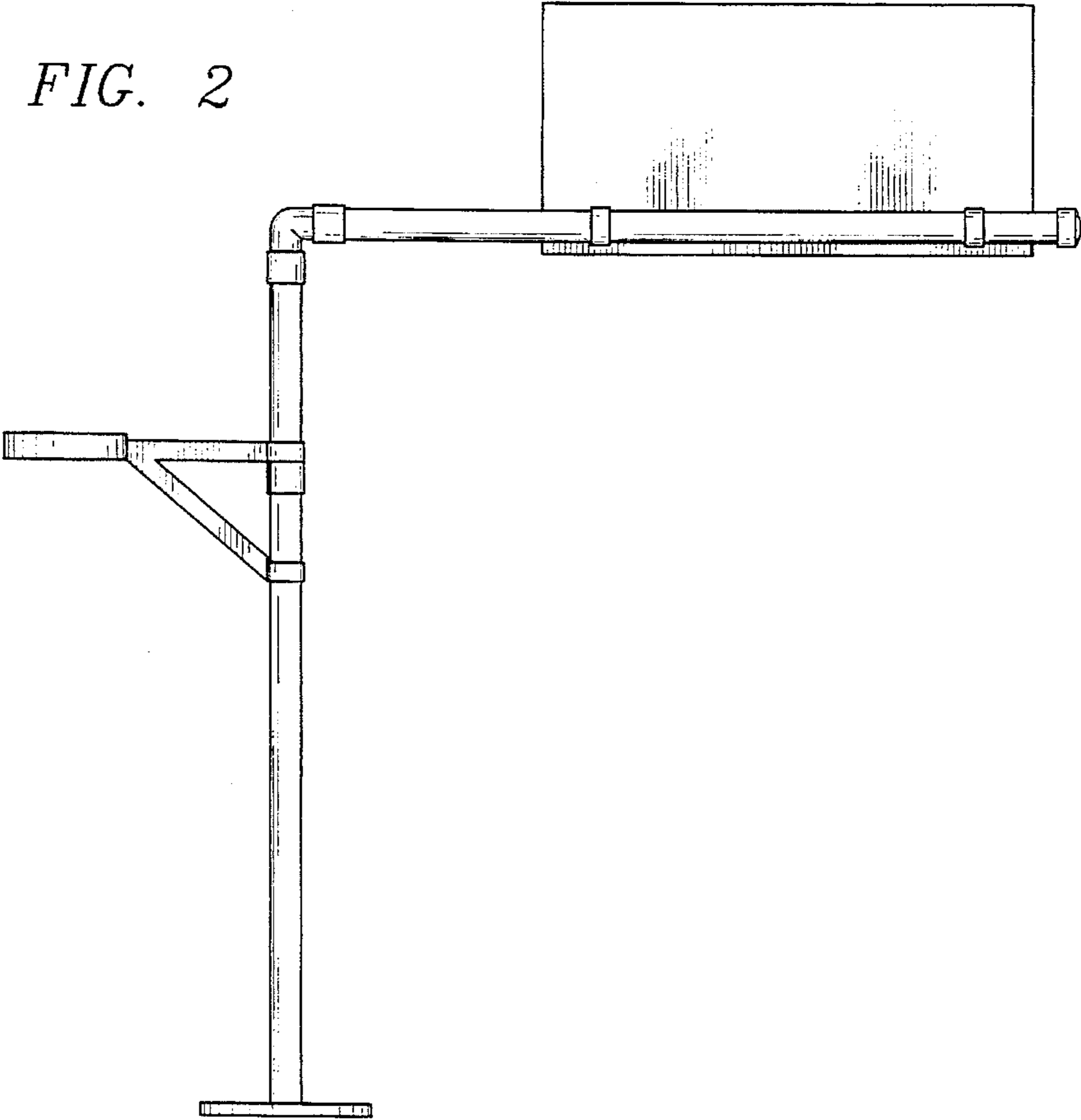


FIG. 2

FIG. 3

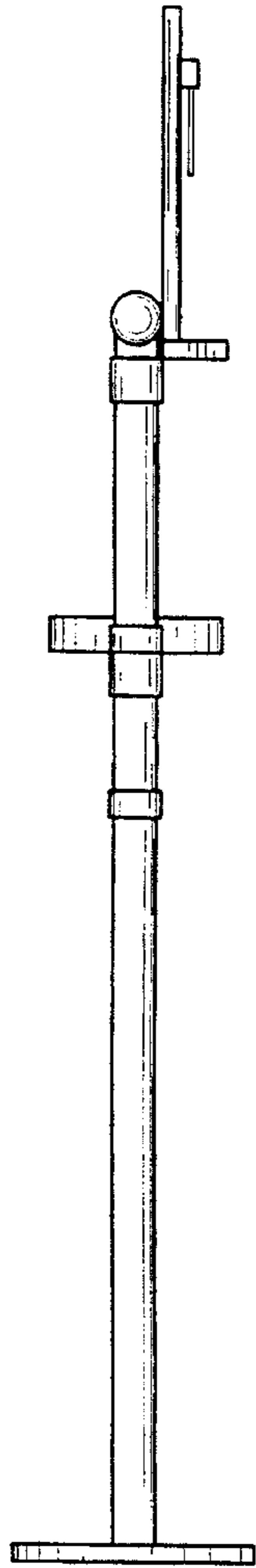


FIG. 4

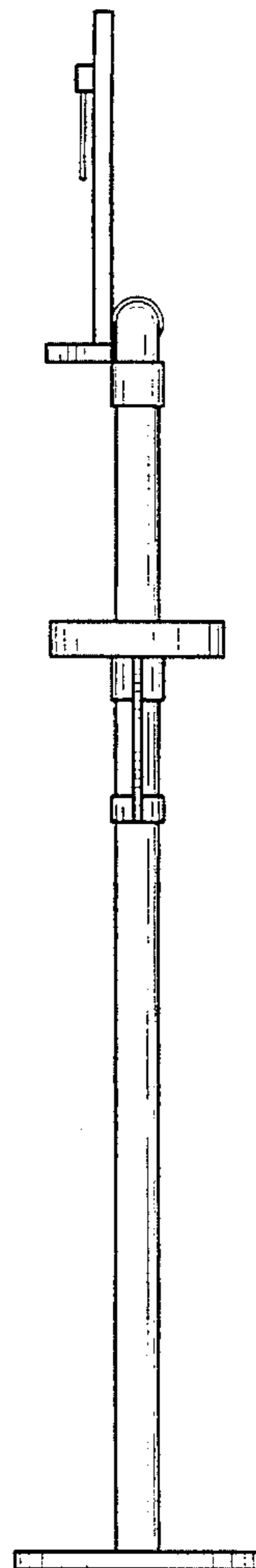


FIG. 5

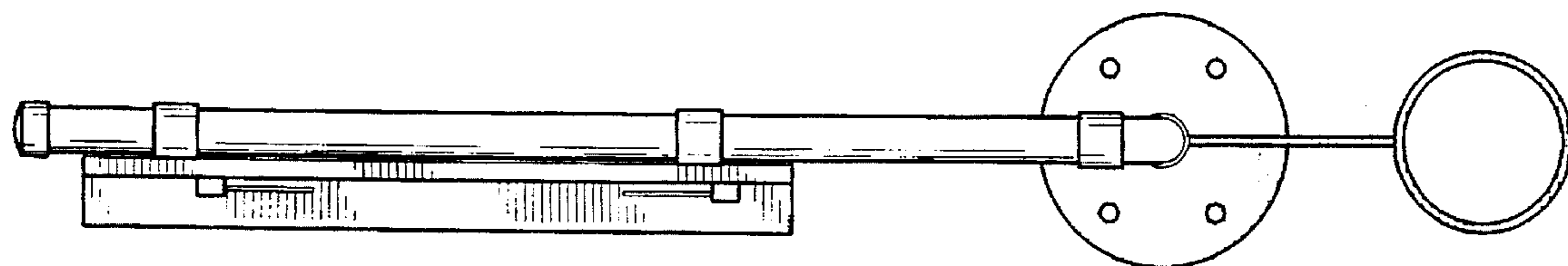


FIG. 6

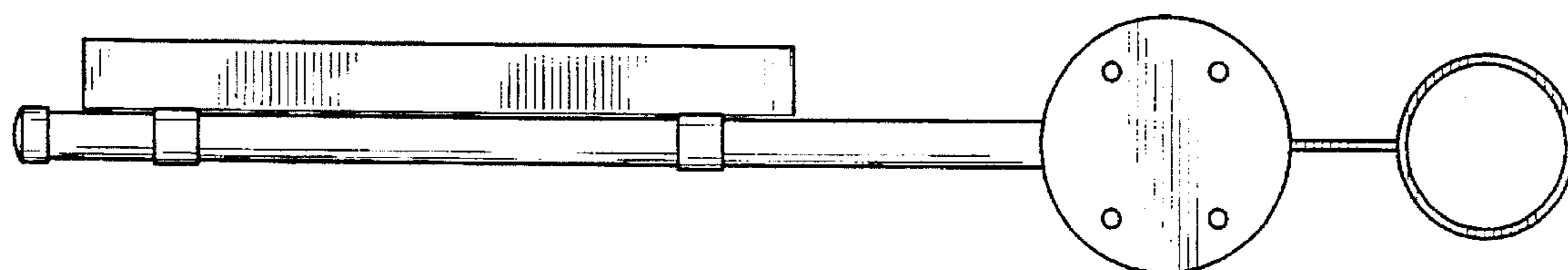


FIG. 7

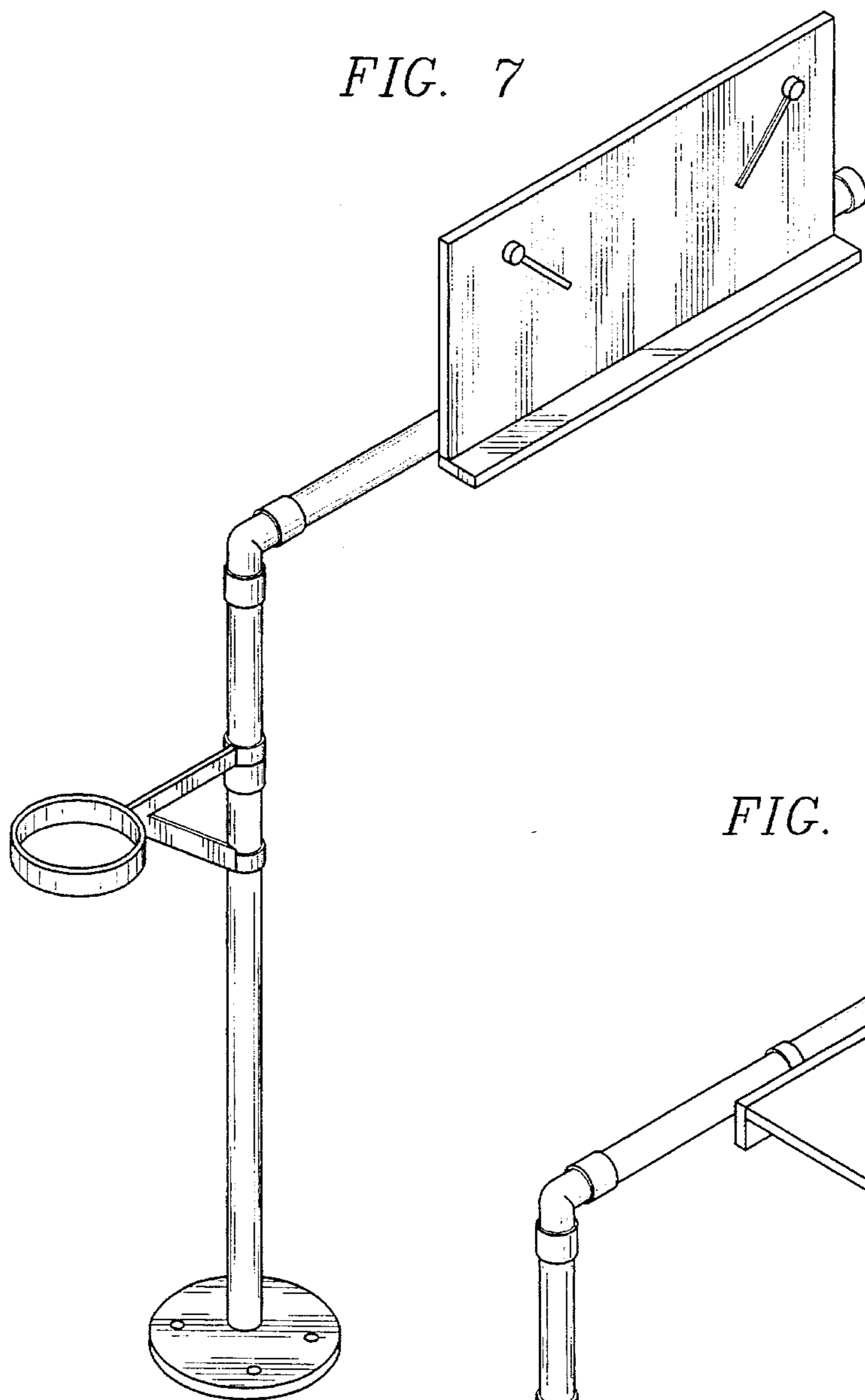


FIG. 8

