



US00D368597S

United States Patent [19]

Tseng

[11] Patent Number: **Des. 368,597**

[45] Date of Patent: ****Apr. 9, 1996**

[54] **LAWN CHAIR**

[75] Inventor: **Chuen-Jong Tseng, Chia-Yi Hsien,**
Taiwan

[73] Assignee: **Shin Yeh Enterprise Co., Ltd.,** Taiwan

[**] Term: **14 Years**

[21] Appl. No.: **39,655**

[22] Filed: **Jun. 1, 1995**

[52] U.S. Cl. **D6/376; D6/379**

[58] Field of Search **D6/334, 370, 374,**
D6/375, 376, 379, 380, 500, 501, 502;
297/445

[56] **References Cited**

U.S. PATENT DOCUMENTS

| | | | |
|------------|---------|----------------------|--------|
| D. 189,293 | 11/1960 | Pettit | D6/379 |
| D. 291,035 | 7/1987 | Strousse et al. | D6/380 |
| D. 291,510 | 8/1987 | Strousse et al. | D6/380 |
| D. 297,993 | 10/1988 | Kaminski | D6/500 |
| D. 298,090 | 10/1988 | Kaminski | D6/379 |

| | | | |
|------------|--------|------------------|--------|
| D. 337,449 | 7/1993 | Bertoldi | D6/379 |
| D. 357,819 | 5/1995 | Hill et al. | D6/376 |
| D. 358,501 | 5/1995 | Hess | D6/376 |
| D. 359,174 | 6/1995 | Arthur, Jr. | D6/376 |
| D. 359,175 | 6/1995 | Arthur, Jr. | D6/376 |
| D. 359,860 | 7/1995 | Arthur, Jr. | D6/370 |

Primary Examiner—Gary D. Watson
Attorney, Agent, or Firm—Ladas & Parry

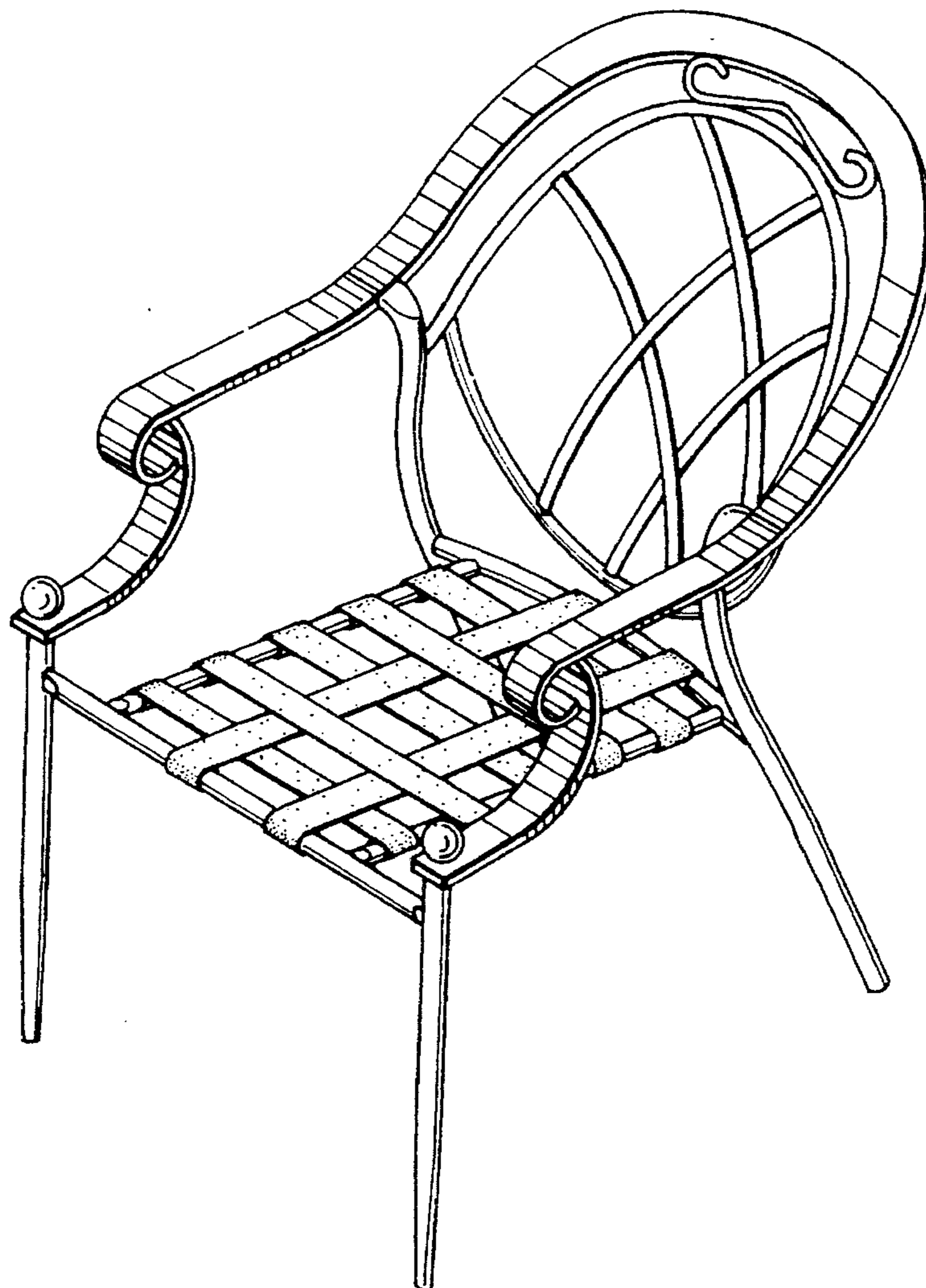
[57] **CLAIM**

The ornamental design for a lawn chair, as shown and described.

DESCRIPTION

FIG. 1 is a perspective view of a lawn chair showing my new design;
FIG. 2 is a front elevational view thereof;
FIG. 3 is a rear elevational view thereof;
FIG. 4 is a left side elevational view thereof;
FIG. 5 is a right side elevational view thereof;
FIG. 6 is a top plan view thereof; and,
FIG. 7 is a bottom plan view thereof.

1 Claim, 4 Drawing Sheets



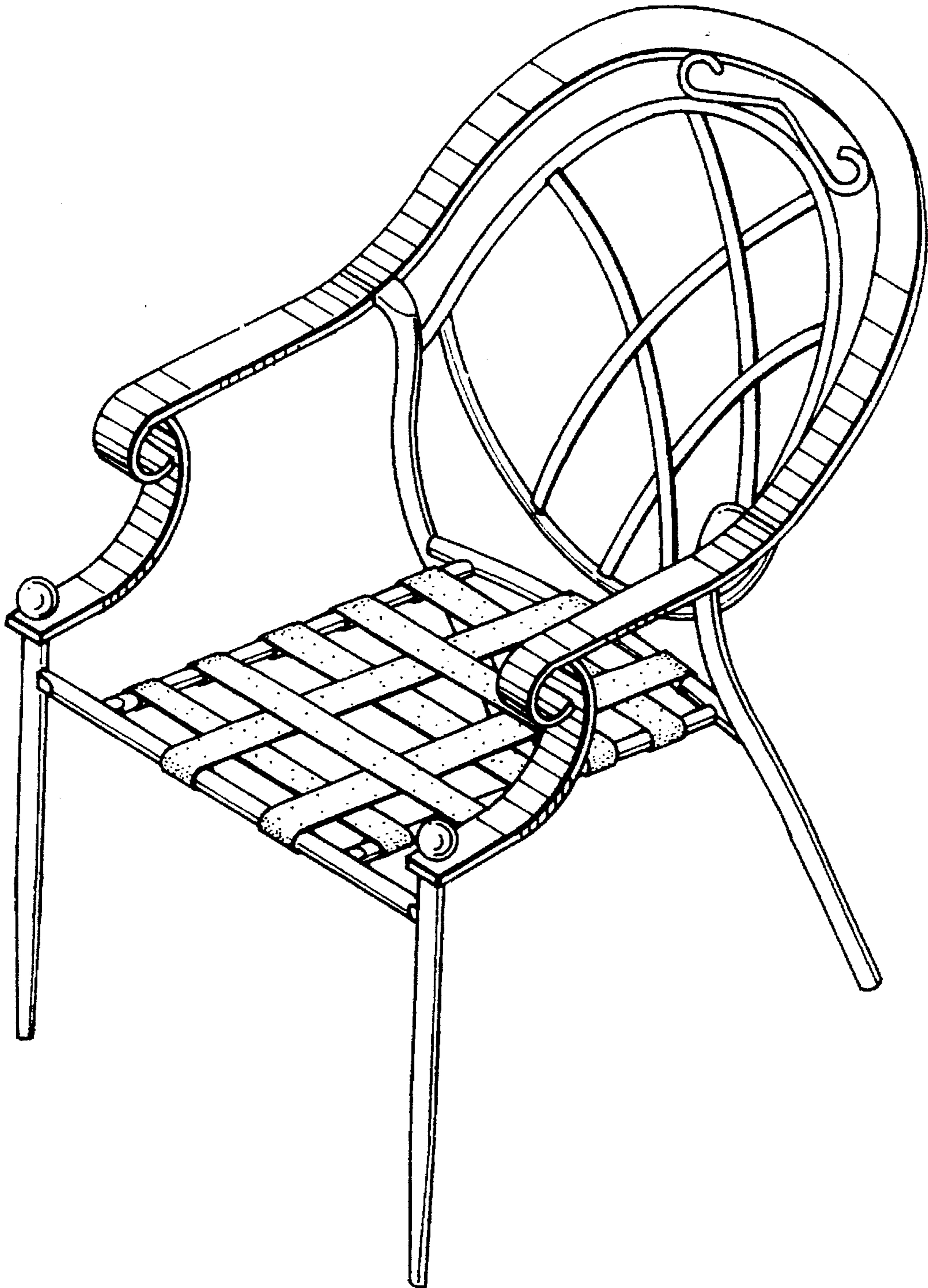


FIG. 1

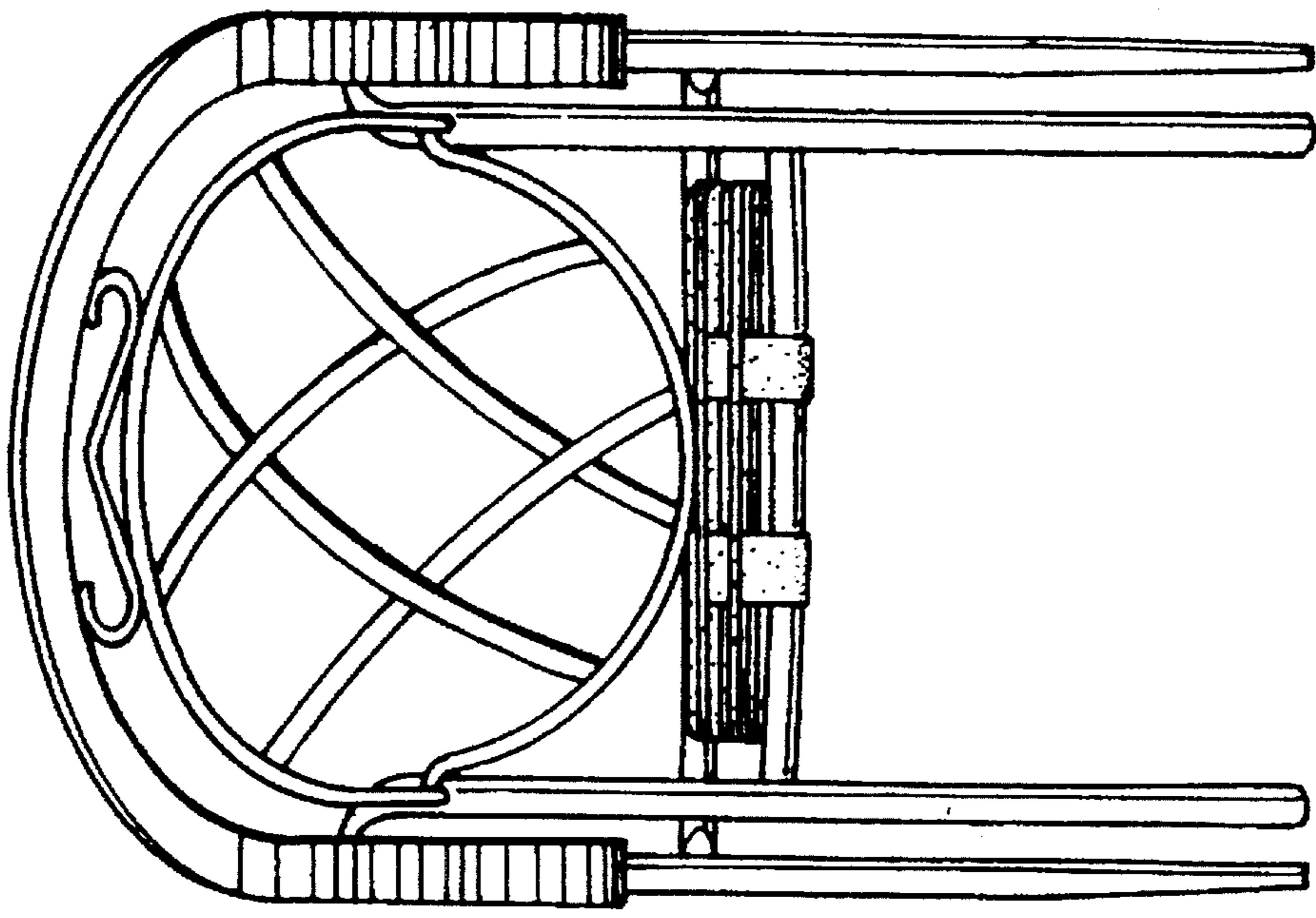


FIG. 3

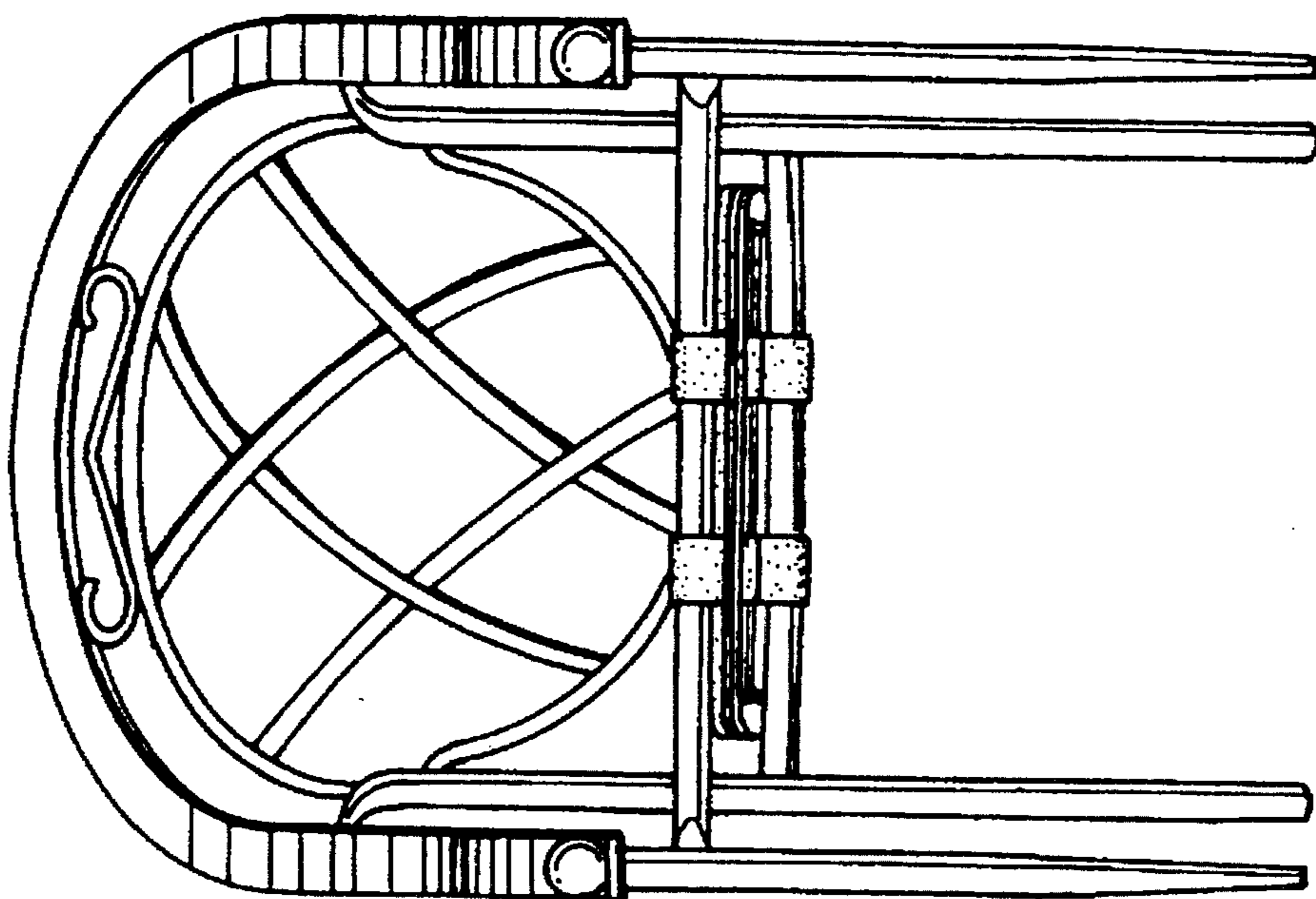


FIG. 2

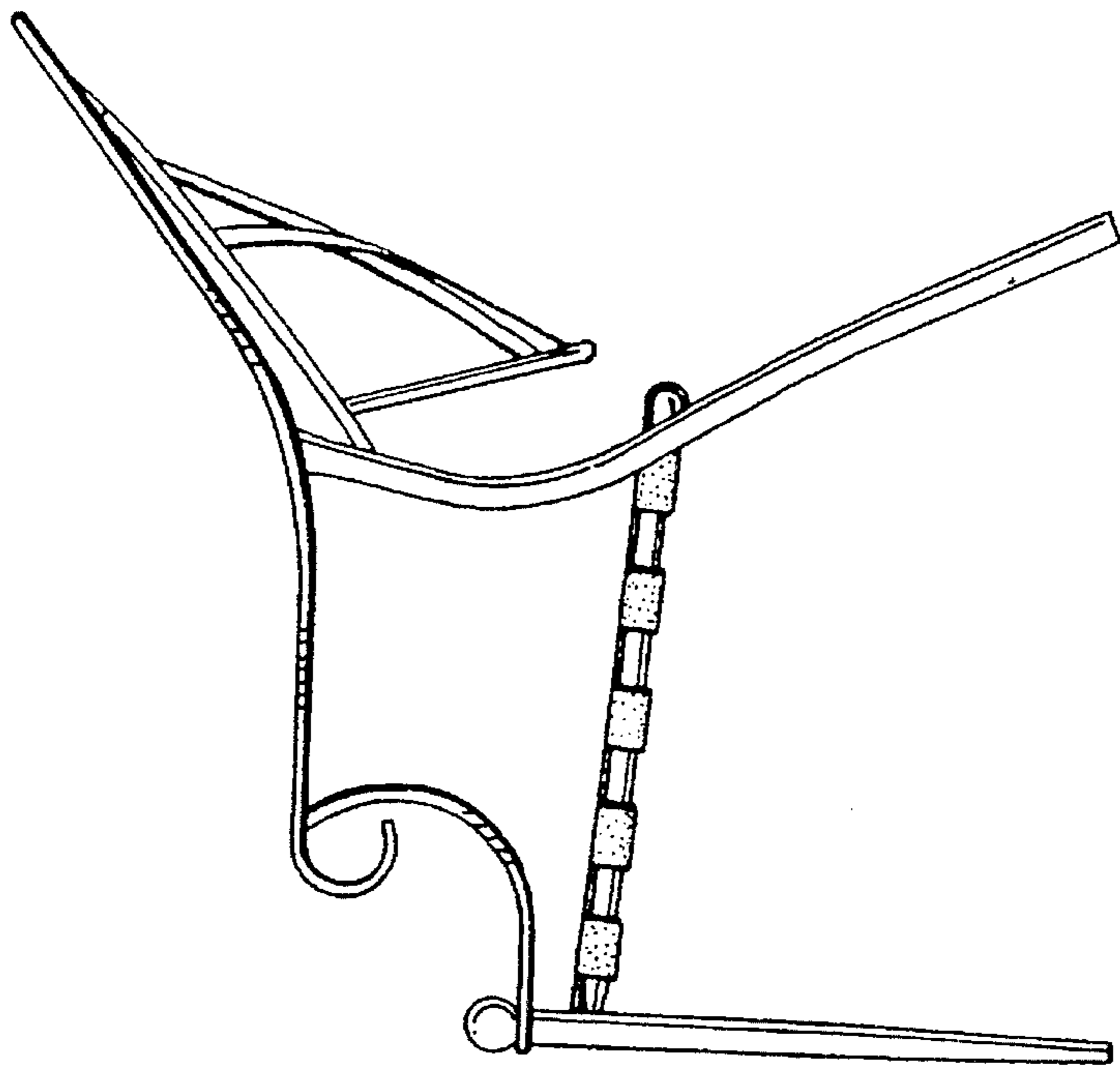


FIG. 5

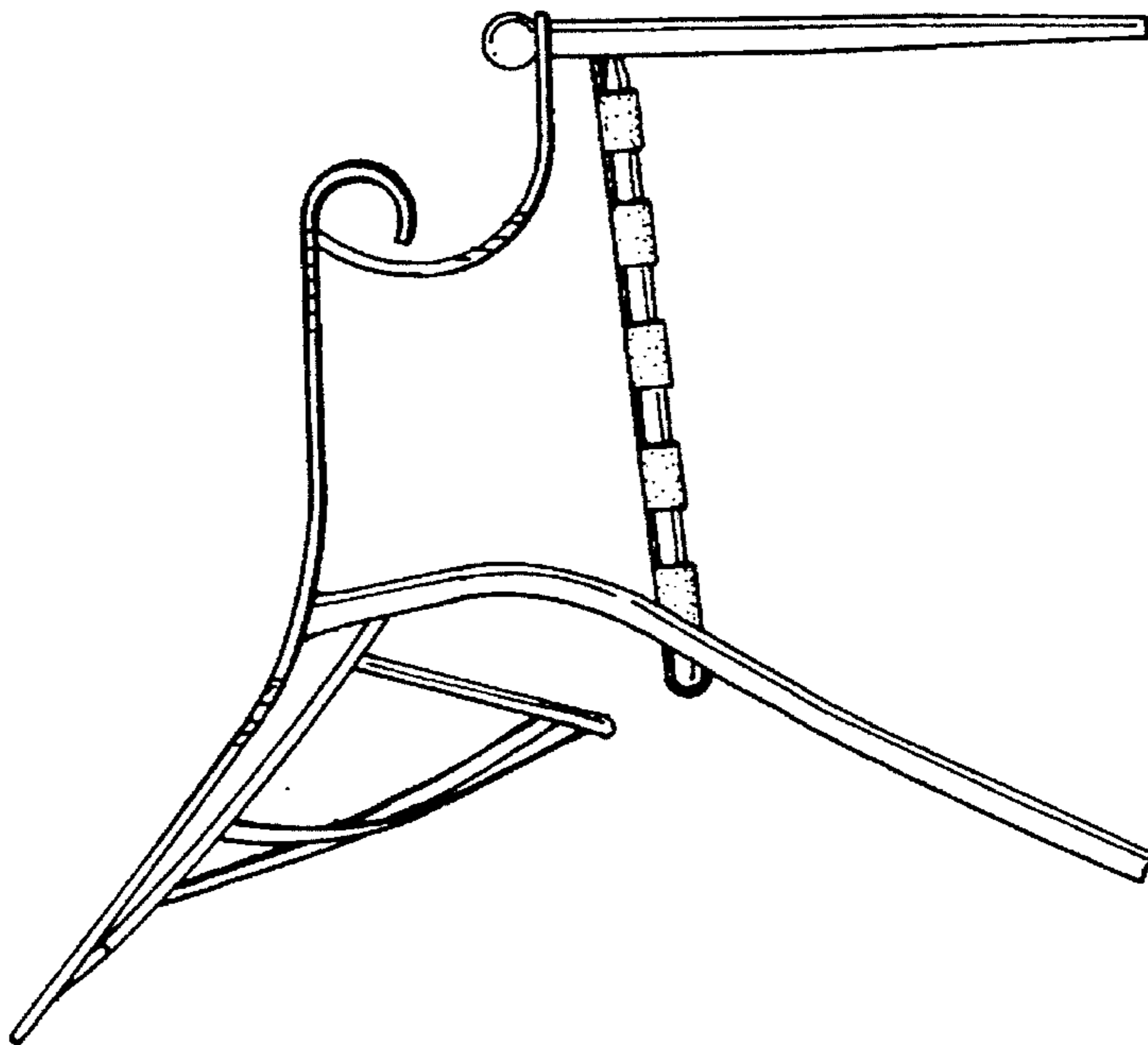


FIG. 4

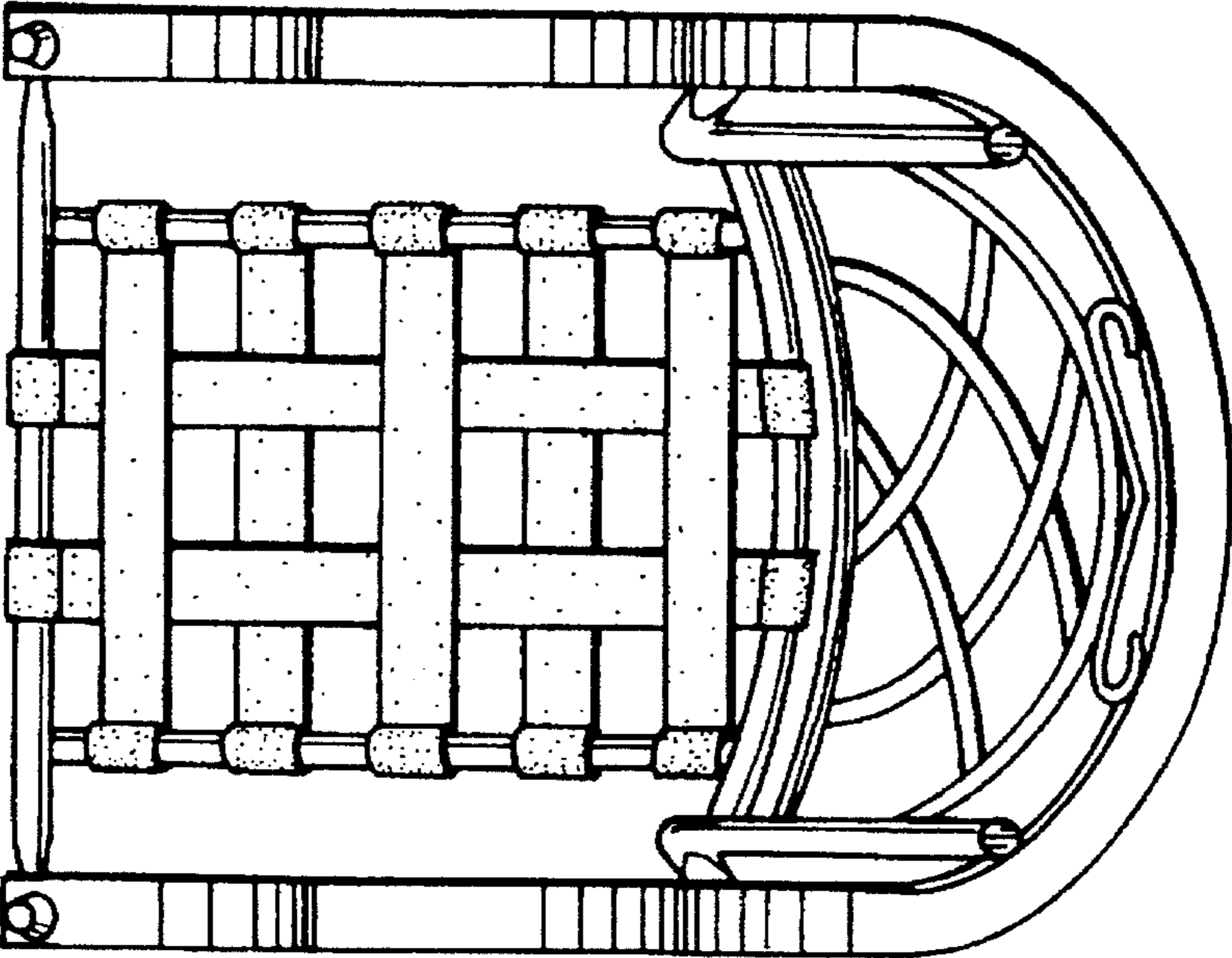


FIG. 7

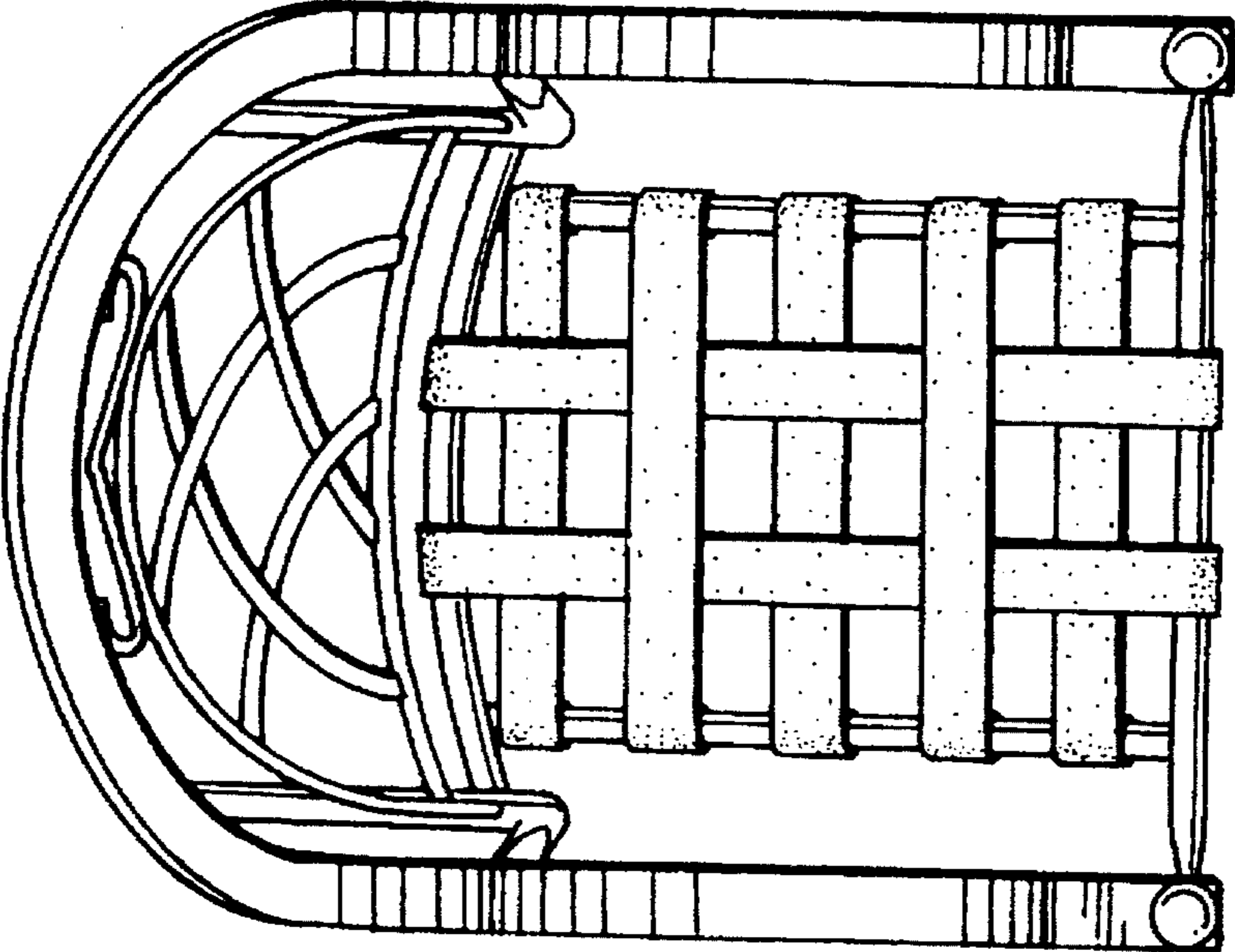


FIG. 6