



US00D368596S

United States Patent [19]
Breen

[11] **Patent Number: Des. 368,596**
[45] **Date of Patent: **Apr. 9, 1996**

[54] **HIGHBACK CHAIR**

[76] Inventor: **William R. Breen**, 111 Lakeshore Dr.,
Etobicoke, Ontario, Canada, M8V 2A1

[**] Term: **14 Years**

[21] Appl. No.: **37,291**

[22] Filed: **Apr. 3, 1995**

[52] U.S. Cl. **D6/366; D6/500**

[58] Field of Search D6/334, 364, 365,
D6/366, 374, 375, 500, 501, 502; 297/411.2,
411.44

[56] **References Cited**

U.S. PATENT DOCUMENTS

D. 257,917	1/1981	Ball	D6/366
D. 267,989	2/1983	Buhk et al.	D6/366
D. 350,032	8/1994	Beaulieu	D6/366

OTHER PUBLICATIONS

Thinline, p. 32, chair #2079-31, second from left at top.
The 1988 Office Furniture Mart, p. 48, chair in frame "B" at
top right.

Jacobs Gardner 1988, p. 23, chair "T" at bottom center.
Furniture/Today, Apr. 10, 1989, p. 44, chair at bottom left.

Primary Examiner—Gary D. Watson
Attorney, Agent, or Firm—Barrigar & Moss

[57] **CLAIM**

The ornamental design for a highback chair, as shown and
described.

DESCRIPTION

FIG. 1 is a perspective view of a highback chair taken from
above and from the right side showing my new design, the
chair base and arms shown in chain-dotted lines not being
part of the design;

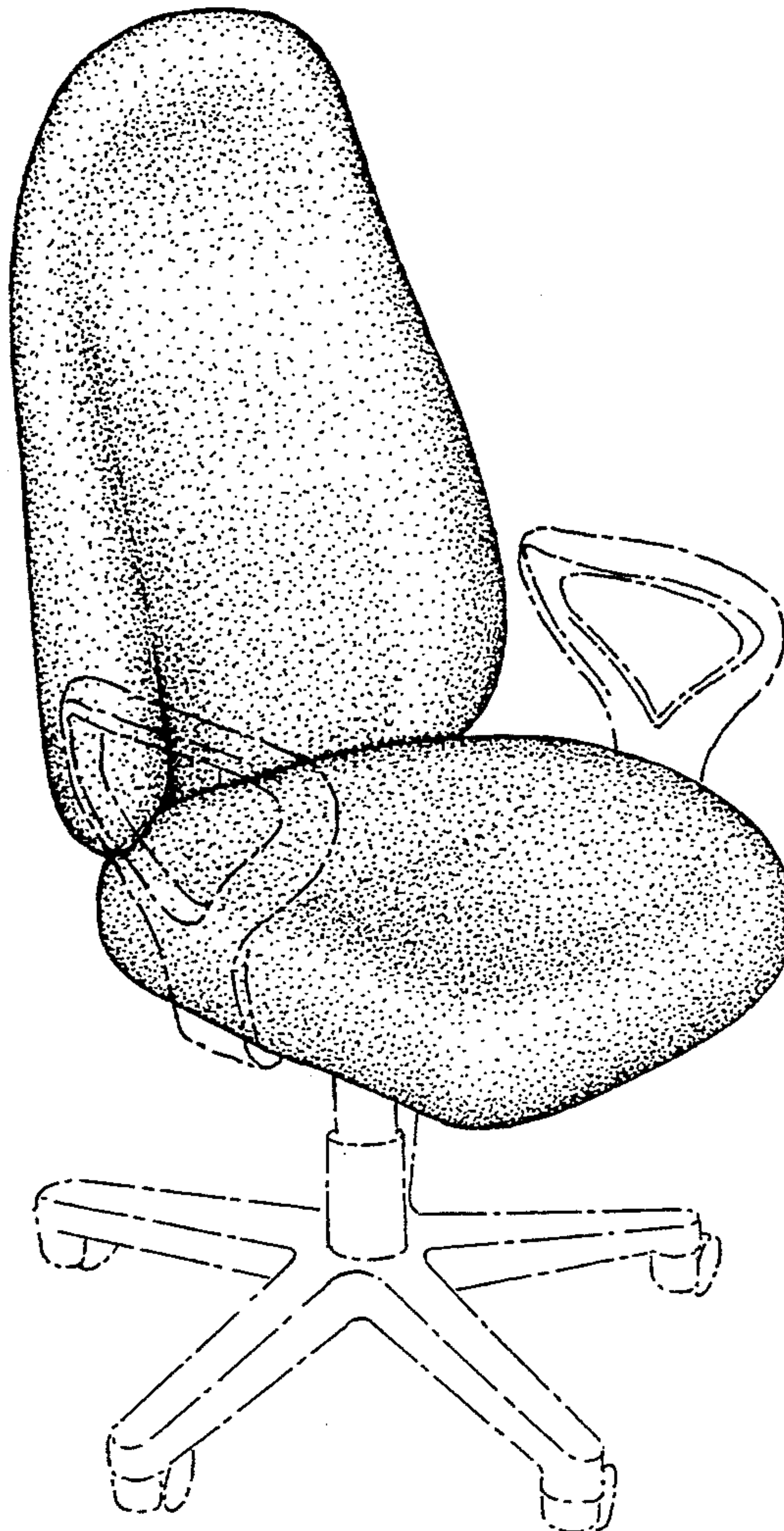
FIG. 2 is a left side view thereof, the right side being a mirror
image;

FIG. 3 is a front view thereof;

FIG. 4 is a plan view thereof; and,

FIG. 5 is a rear view thereof.

1 Claim, 5 Drawing Sheets



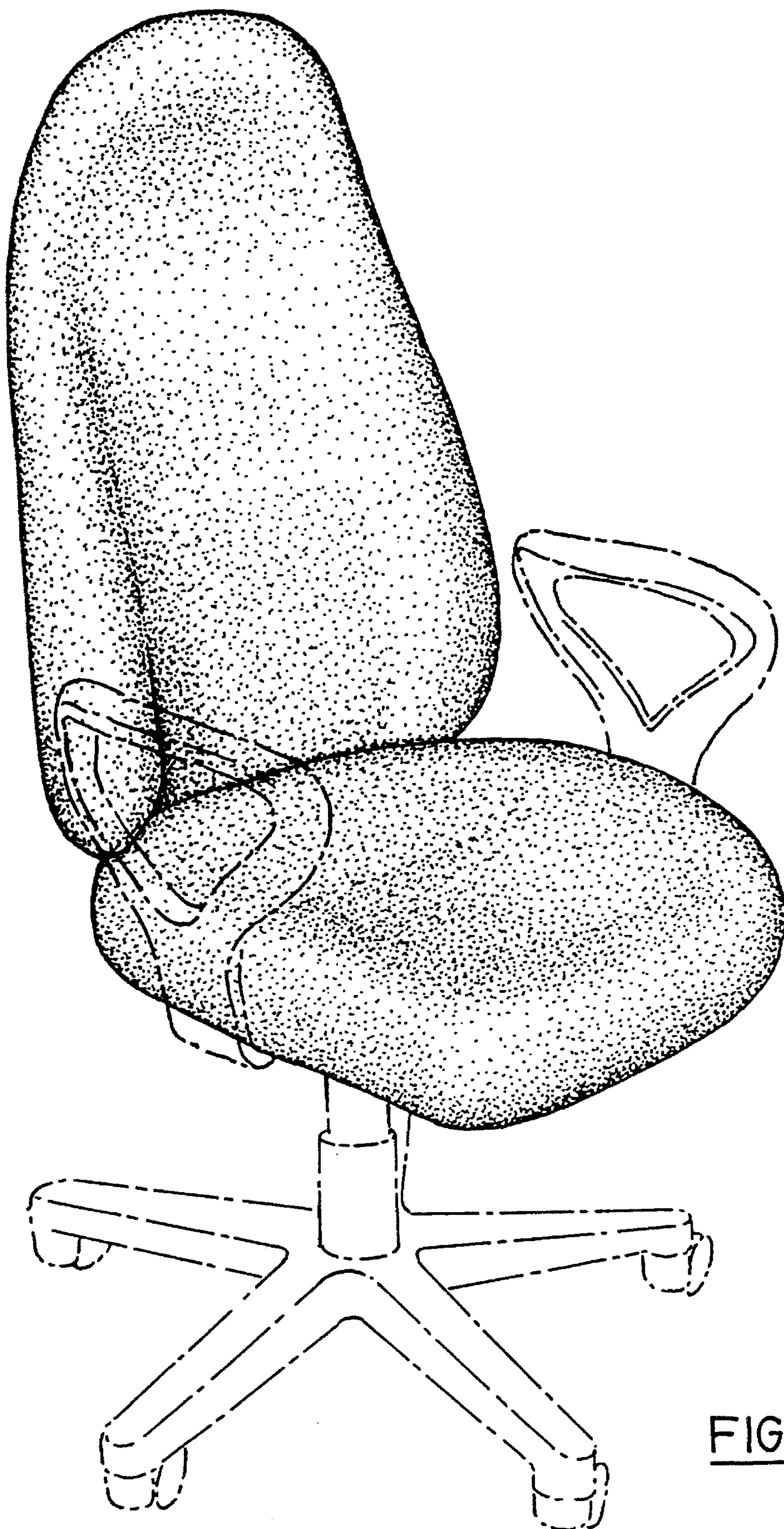


FIG. 1

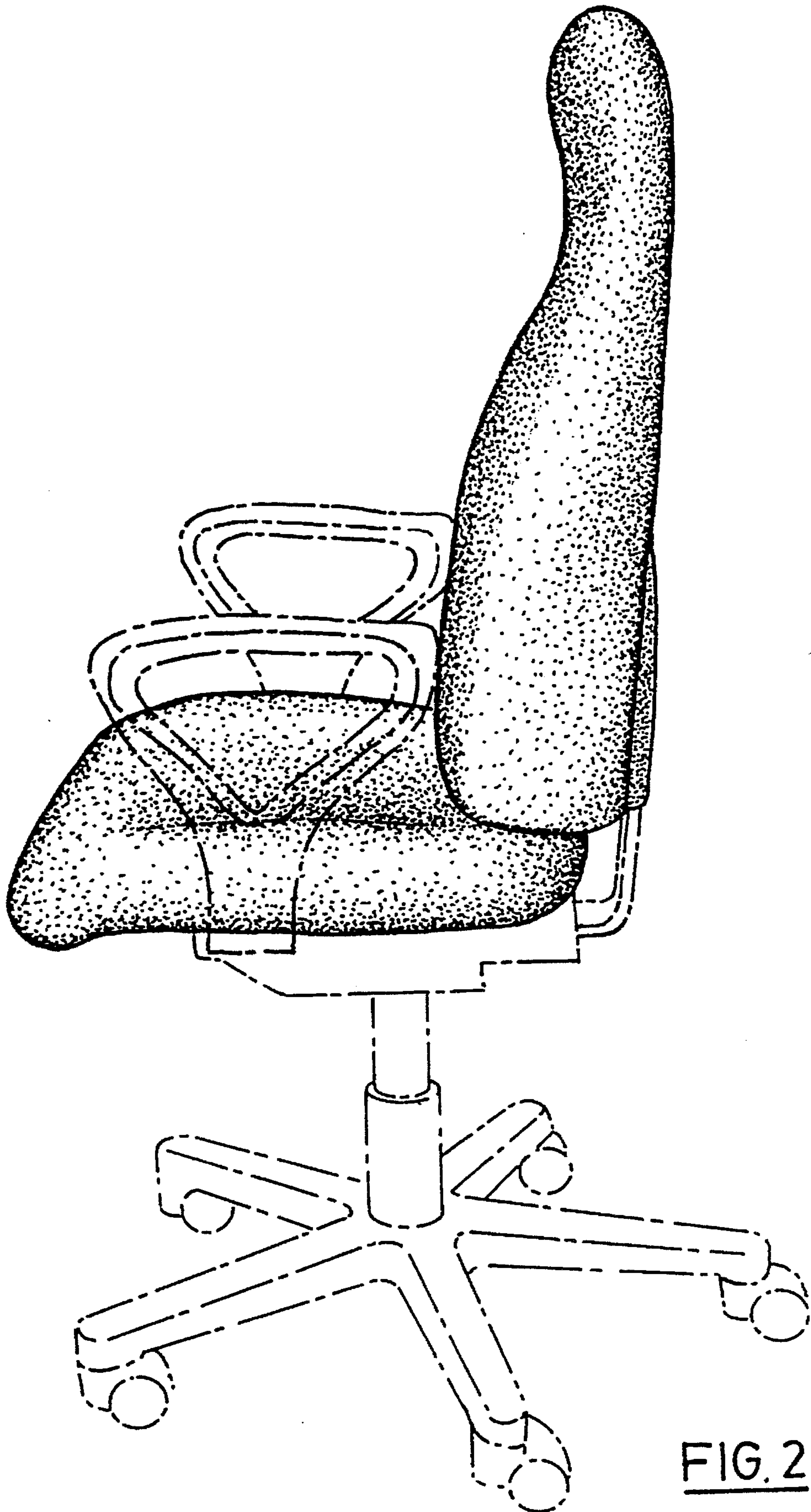


FIG. 2

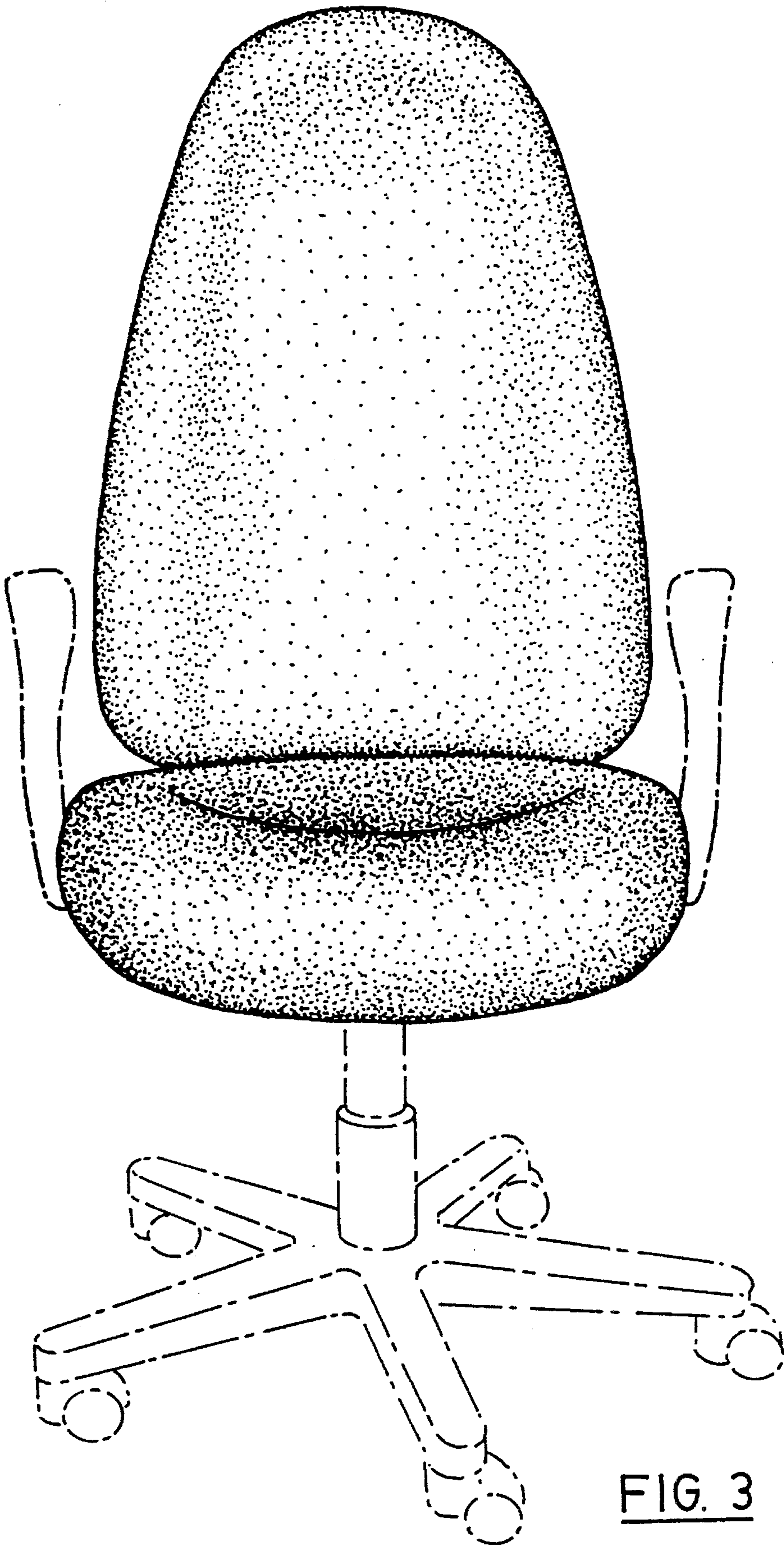


FIG. 3

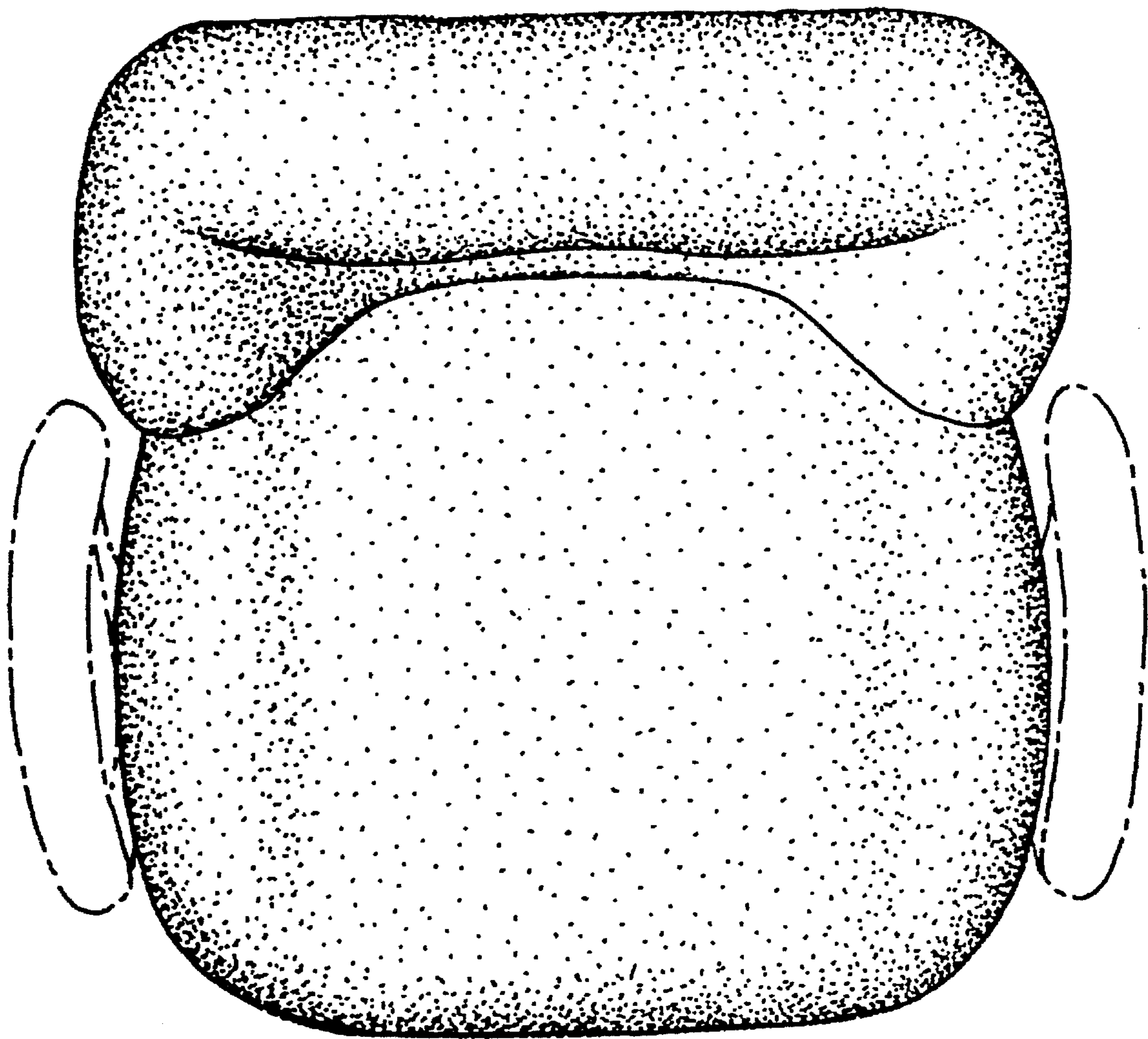


FIG. 4

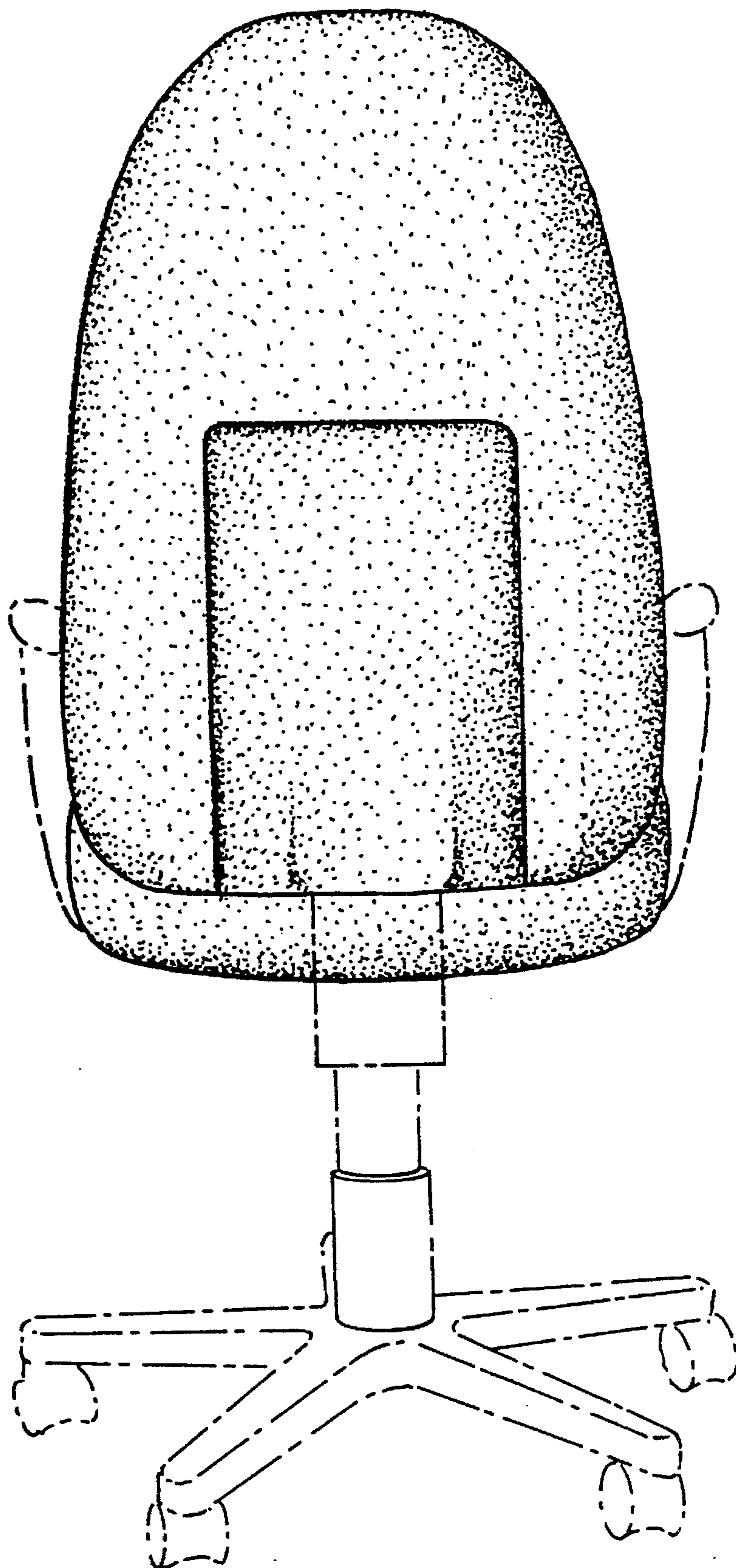


FIG. 5