



US00D368595S

United States Patent [19]
Dallaire

[11] **Patent Number: Des. 368,595**
[45] **Date of Patent: **Apr. 9, 1996**

[54] **SEAT**

[76] Inventor: **Michel Dallaire**, 3575 boul,
Saint-Laurent Bureau 902, Montreal,
Quebec, Canada, H2X 2T7

[**] Term: **14 Years**

[21] Appl. No.: **38,296**

[22] Filed: **May 2, 1995**

[30] **Foreign Application Priority Data**

Nov. 4, 1994 [CA] Canada 1994/2199

[52] **U.S. Cl.** **D6/362; D6/368**

[58] **Field of Search** **D6/334, 335, 336,**
D6/362, 368, 374, 375, 379, 500, 501,
502; 297/331, 335, 452.39

[56] **References Cited**

U.S. PATENT DOCUMENTS

D. 183,838	11/1958	Hoven et al.	D6/368
D. 216,305	12/1969	Gazit	D6/368
D. 225,494	12/1972	Ahrens	D6/362
D. 312,176	11/1990	Heidmann	D6/502
D. 321,600	11/1991	Brennan	D6/362

Primary Examiner—Gary D. Watson
Attorney, Agent, or Firm—Robic

[57] **CLAIM**

The ornamental design for the seat, as shown and described.

DESCRIPTION

FIG. 1 is a right, top, front perspective view of a first embodiment;

FIG. 2 is a top plan view of the first embodiment;

FIG. 3 is a bottom plan view of the first embodiment;

FIG. 4 is a front view of the first embodiment;

FIG. 5 is a rear view of the first embodiment;

FIG. 6 is a left side view of the first embodiment, the right view being identical;

FIG. 7 is a perspective view similar to FIG. 1 but with seat in raised position;

FIG. 8 is a perspective view of a series of seats of the first embodiment with all but one of the sets shown in phantom;

FIG. 9 is a right, top, front perspective view of a second embodiment;

FIG. 10 is a top plan view of the second embodiment;

FIG. 11 is a bottom plan view of the second embodiment;

FIG. 12 is a front view of the second embodiment;

FIG. 13 is a rear view of the second embodiment;

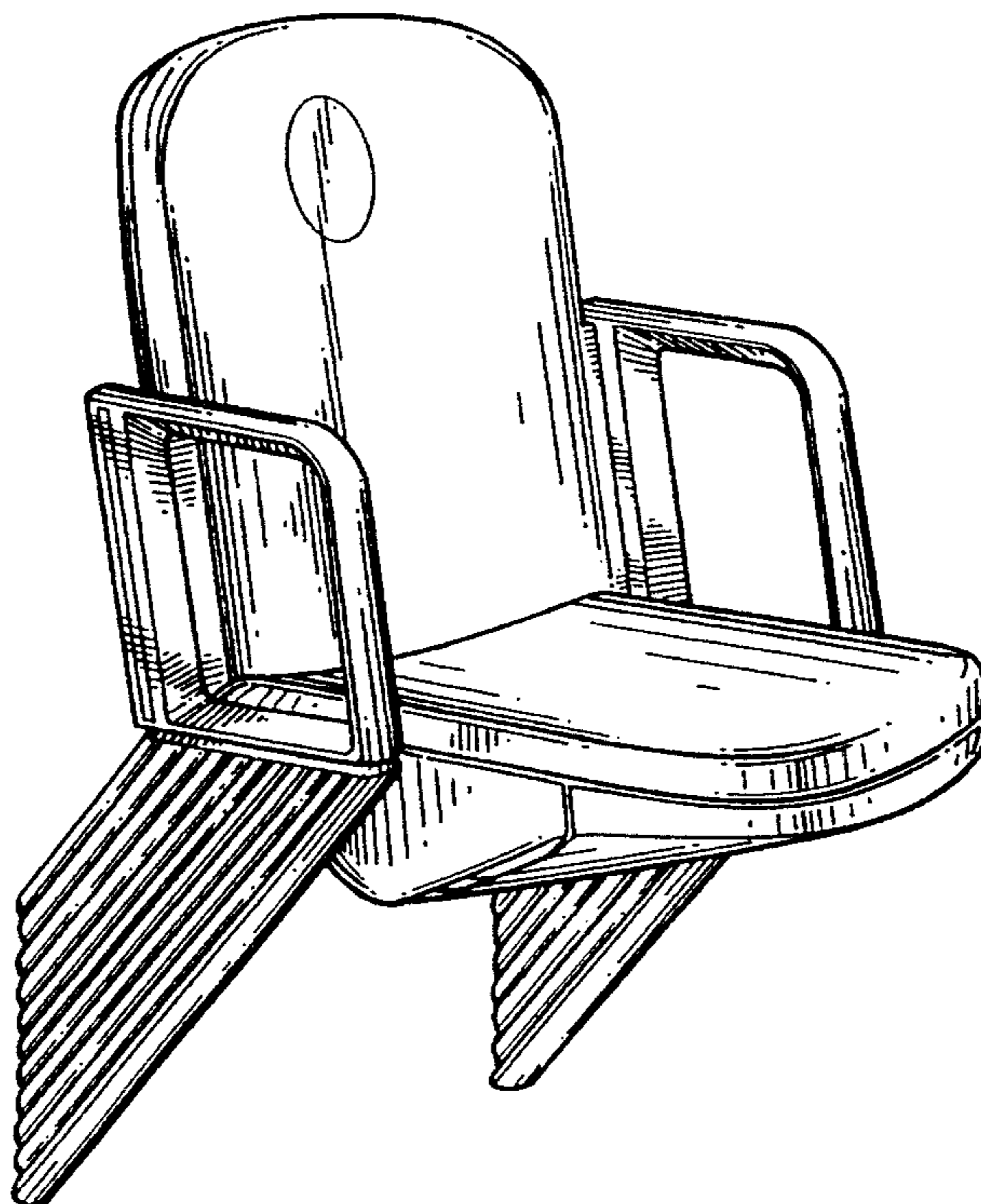
FIG. 14 is a left side view of the second embodiment, the right view being identical;

FIG. 15 is a perspective view similar to FIG. 9 but with seat in raised position;

FIG. 16 is a perspective view of a series of seats of the second embodiment with all but one of the sets shown in phantom.

The broken line showings in FIGS. 6, 8, and 16 are for environmental purposes only and form no part of the claimed design.

1 Claim, 11 Drawing Sheets



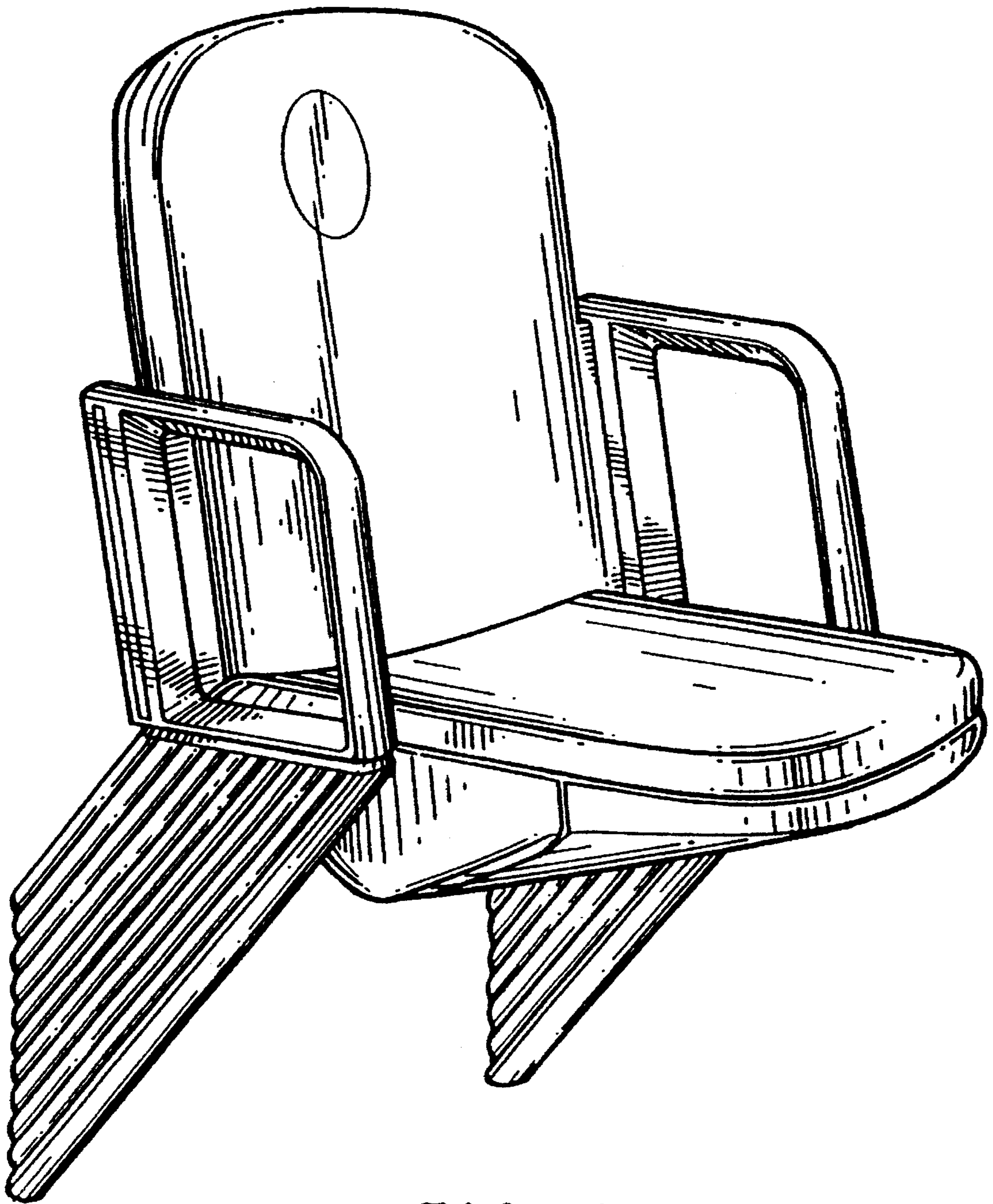


FIG. 1

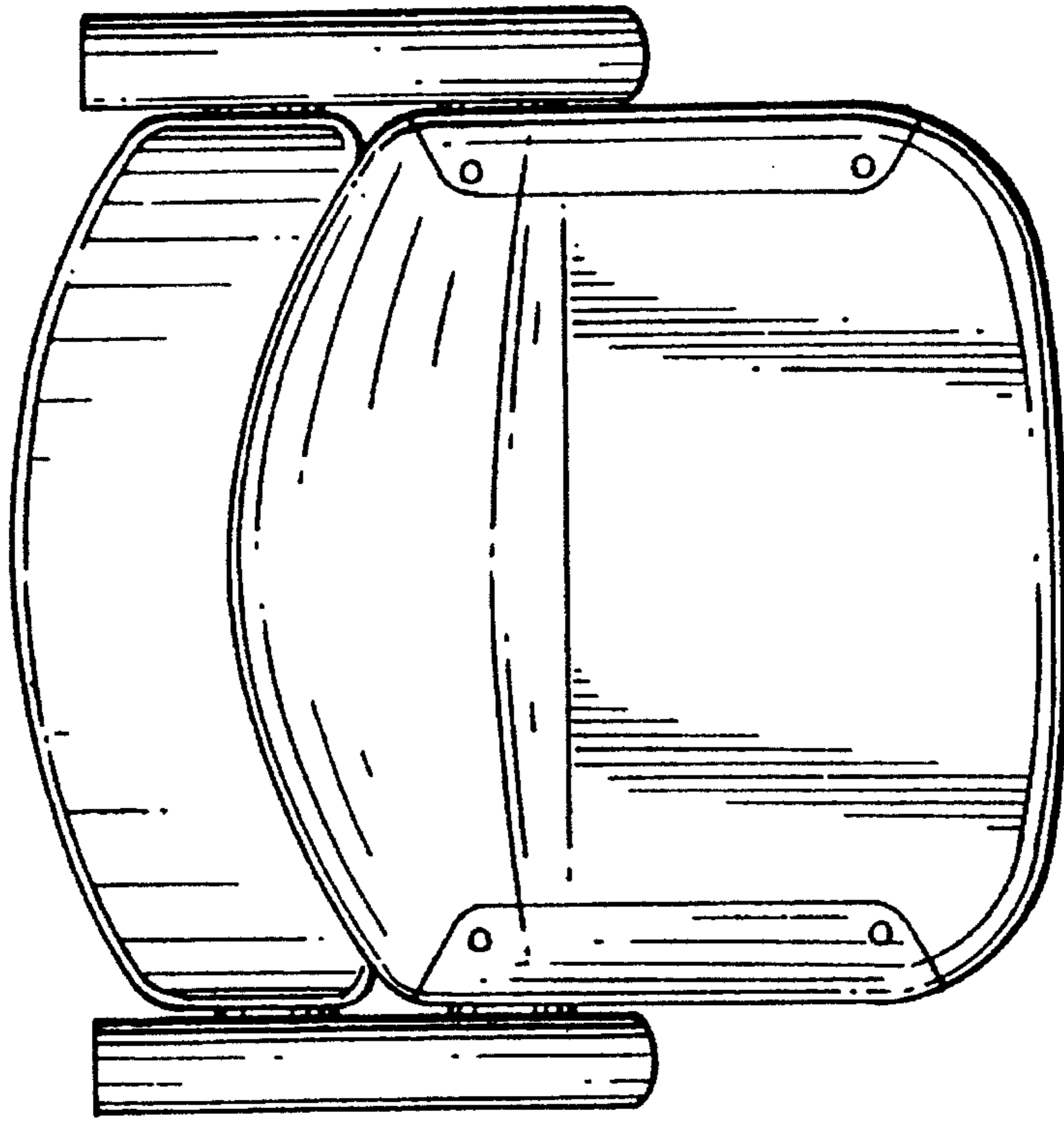


FIG. 3

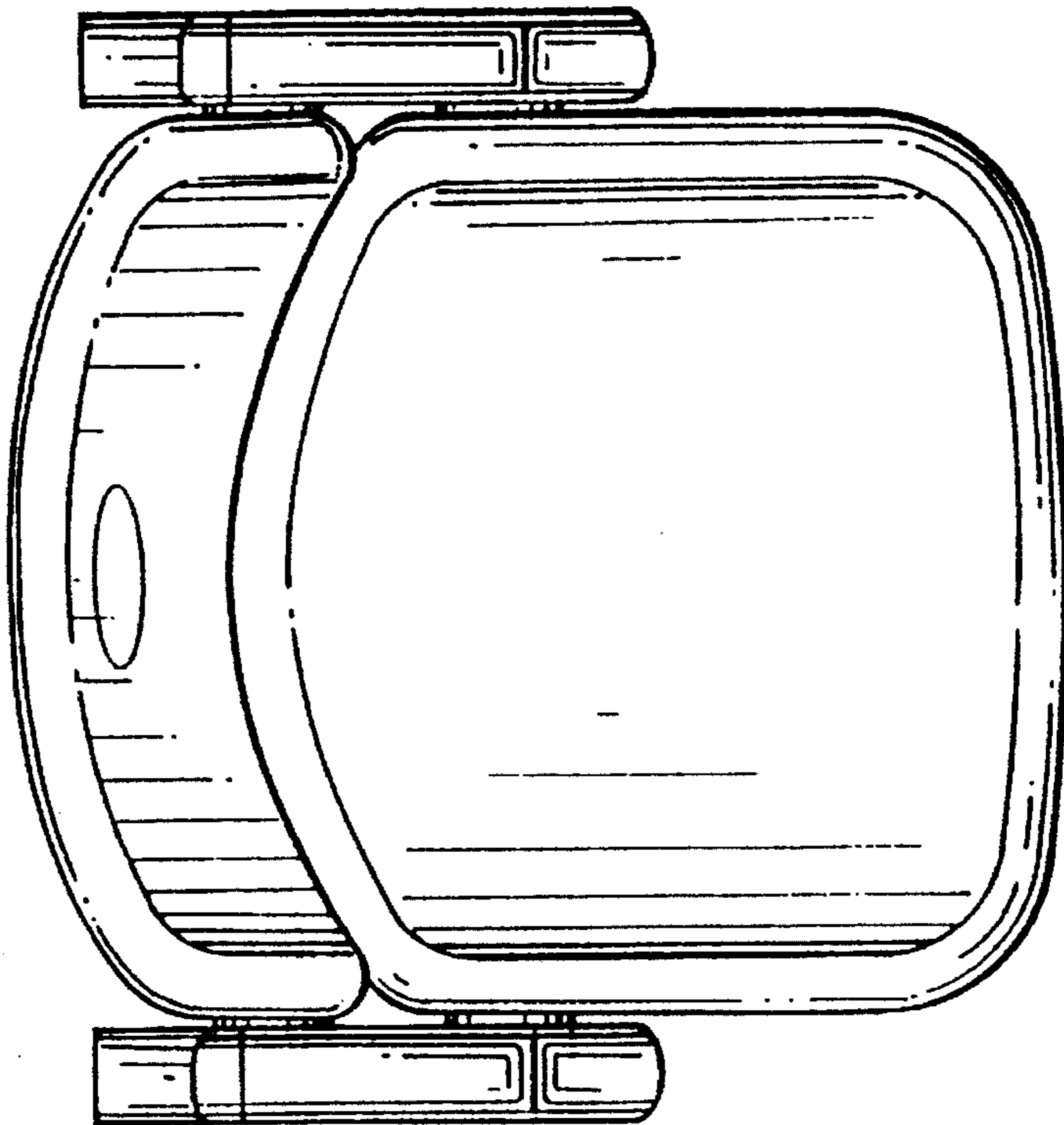


FIG. 2

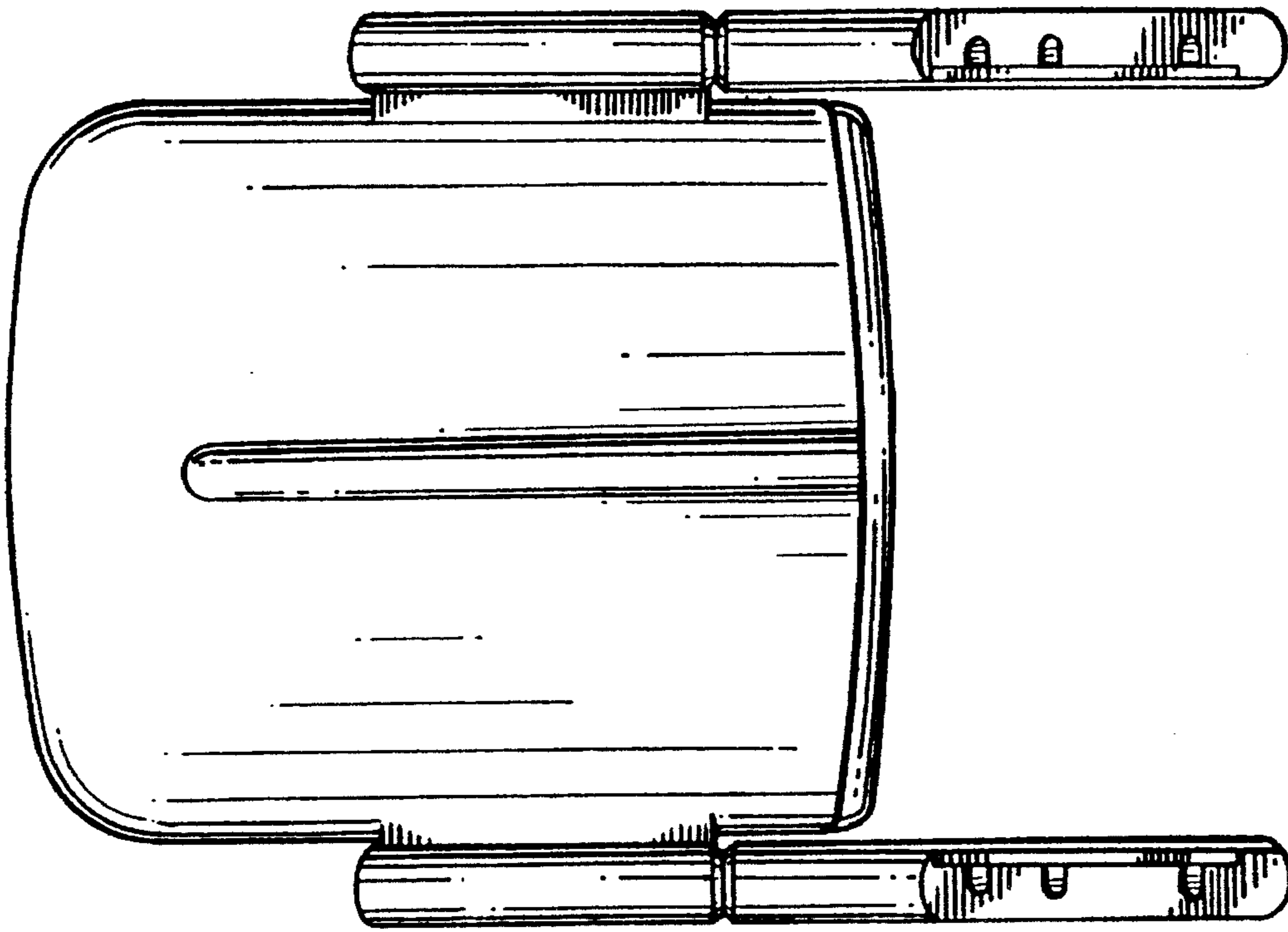


FIG. 5

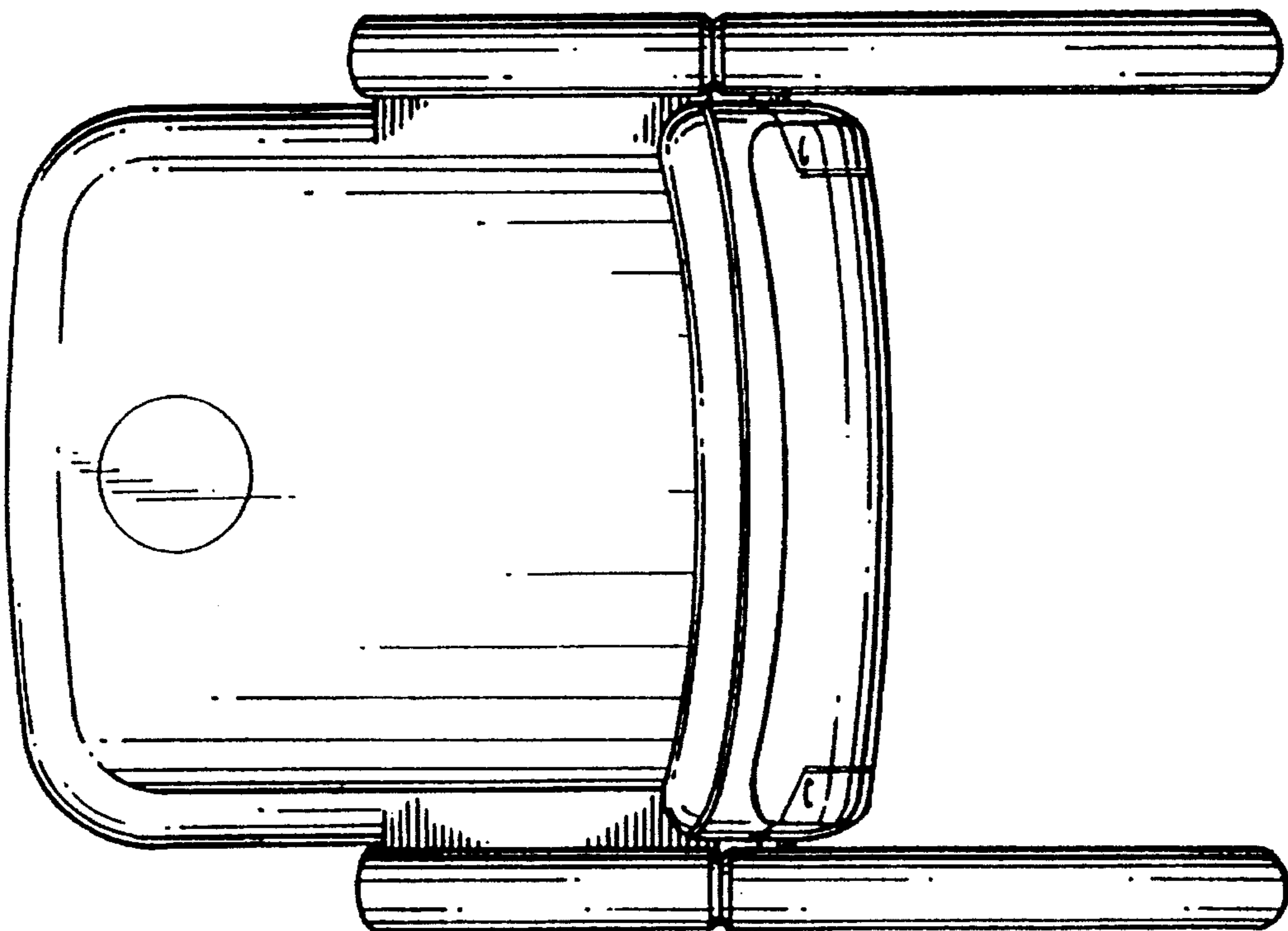


FIG. 4

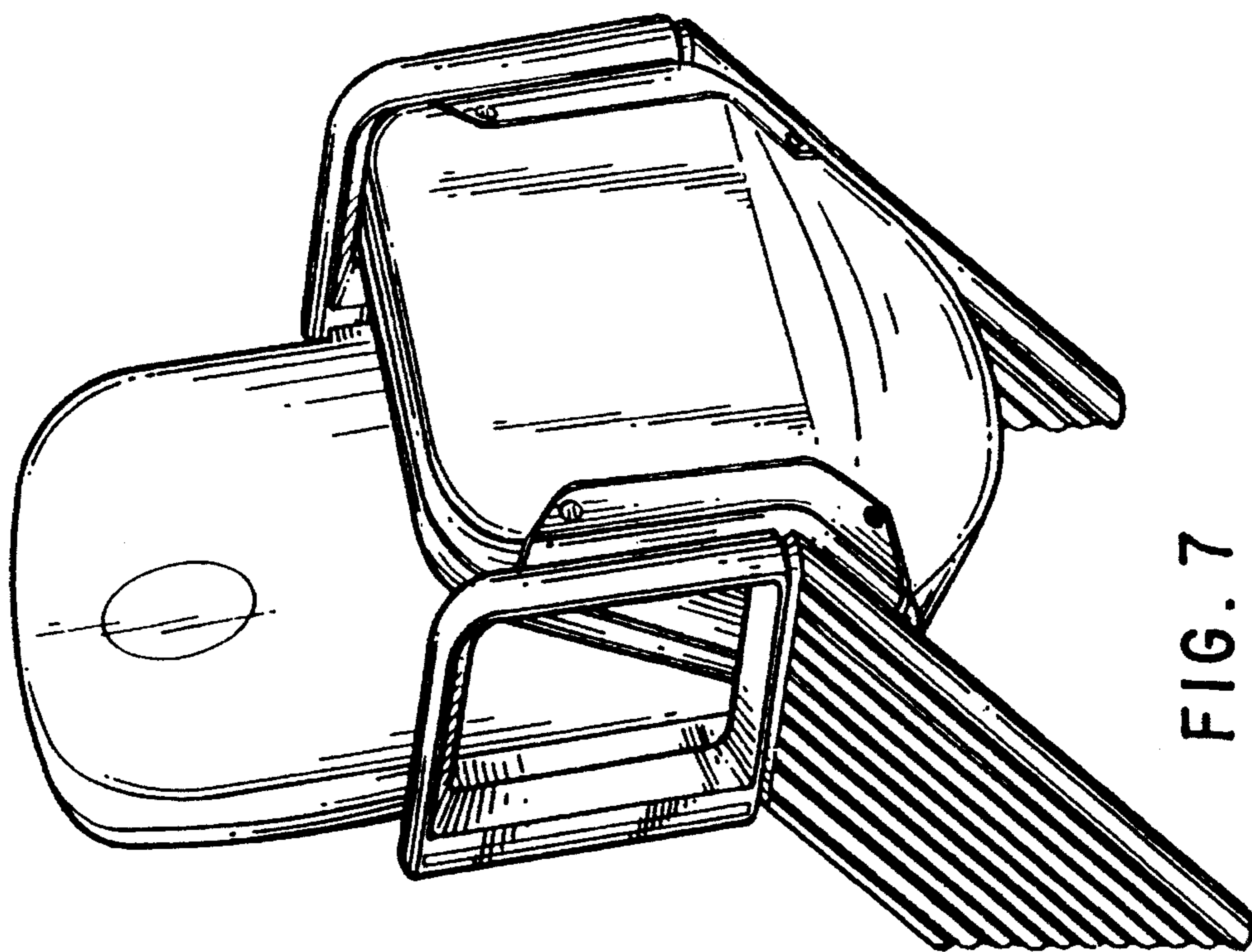


FIG. 7

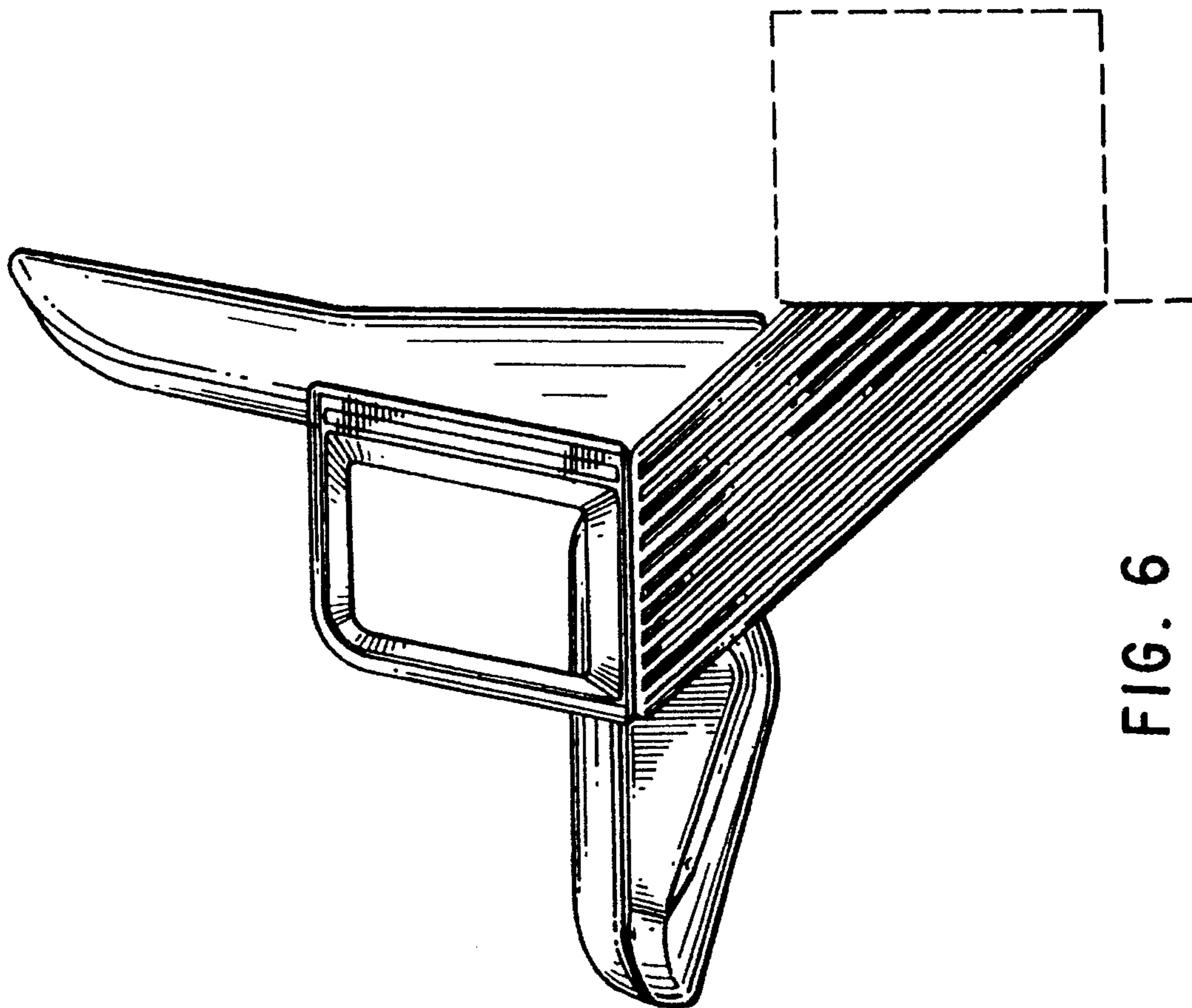


FIG. 6

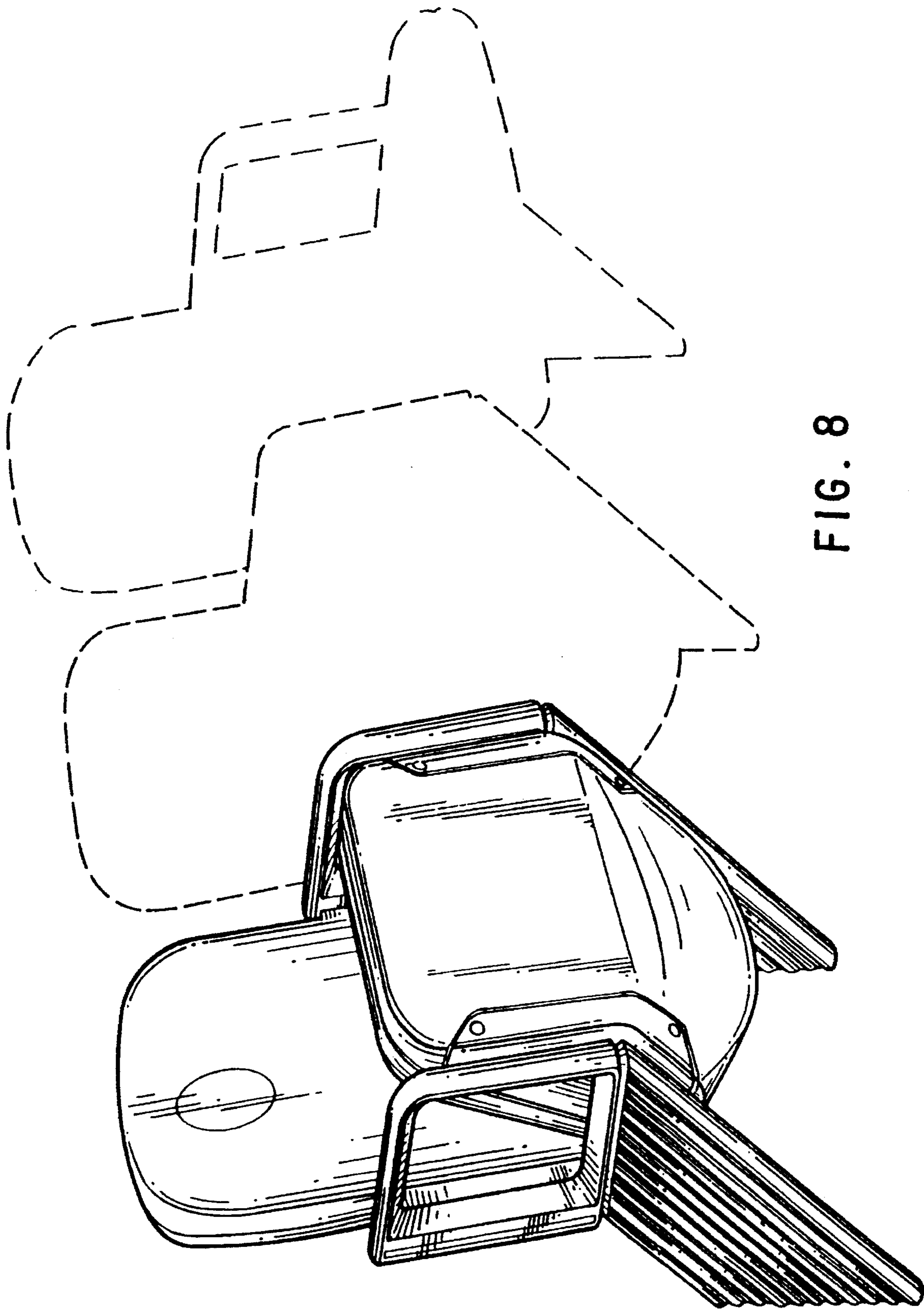


FIG. 8

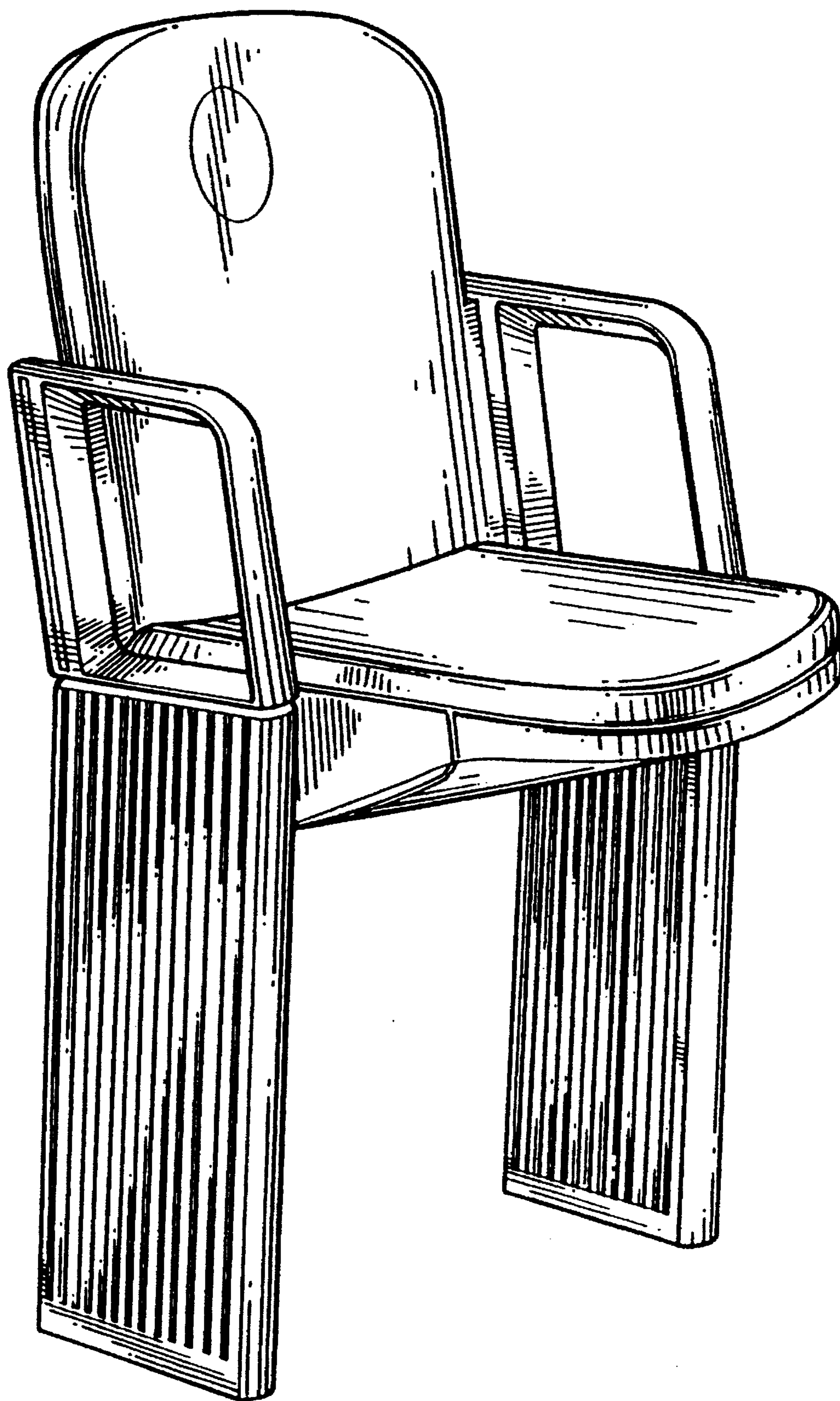


FIG. 9

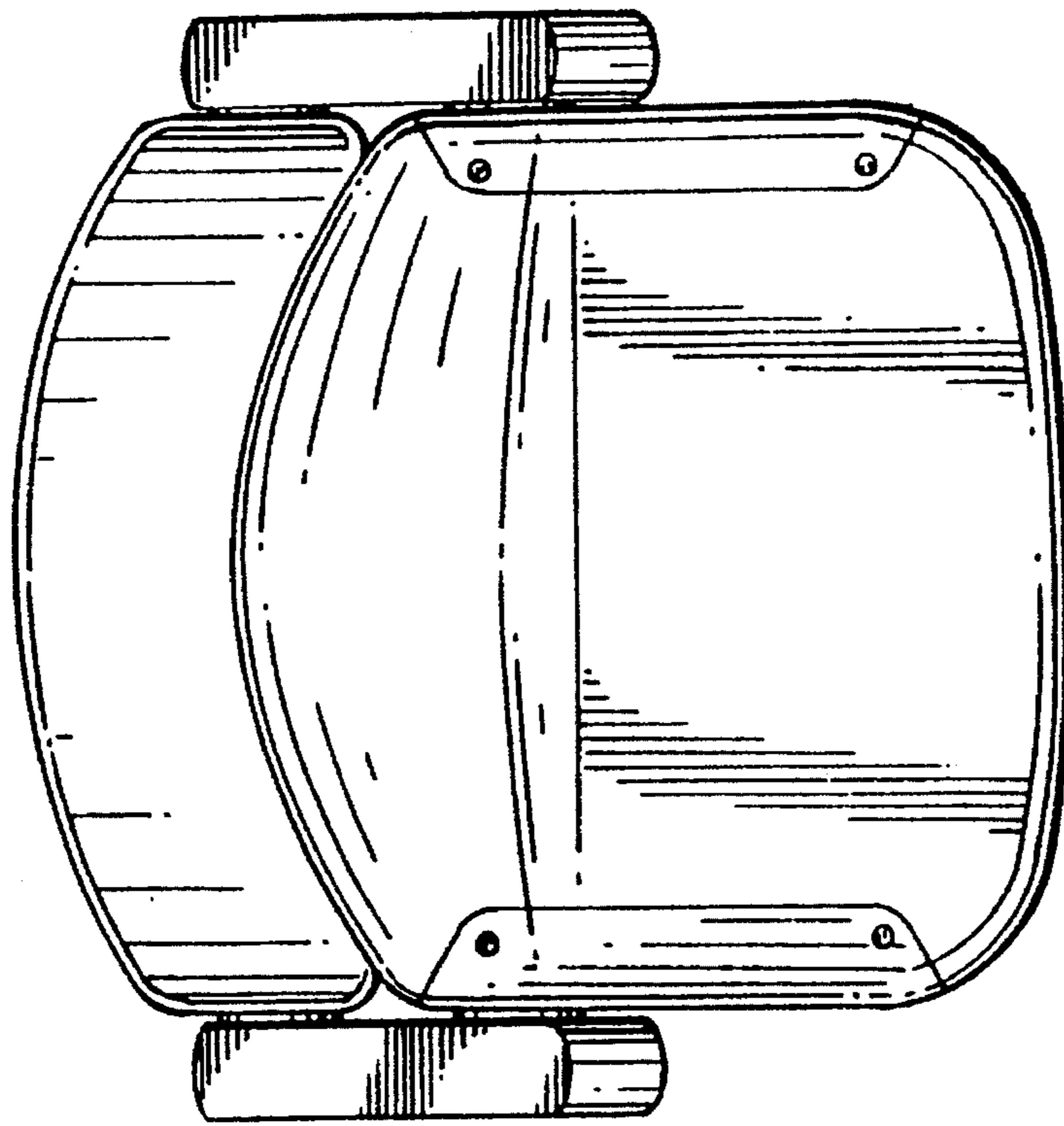


FIG. 11

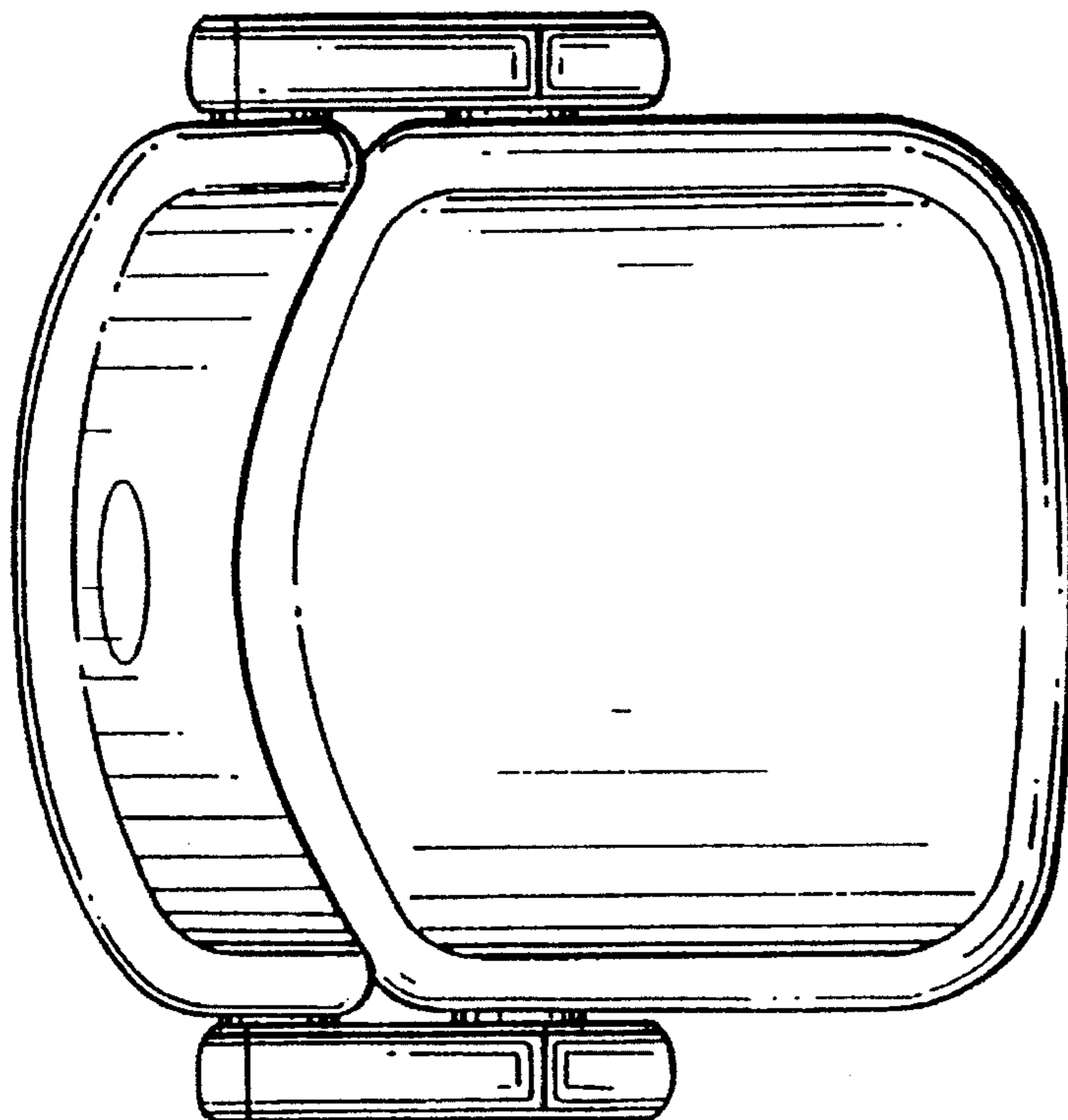


FIG. 10

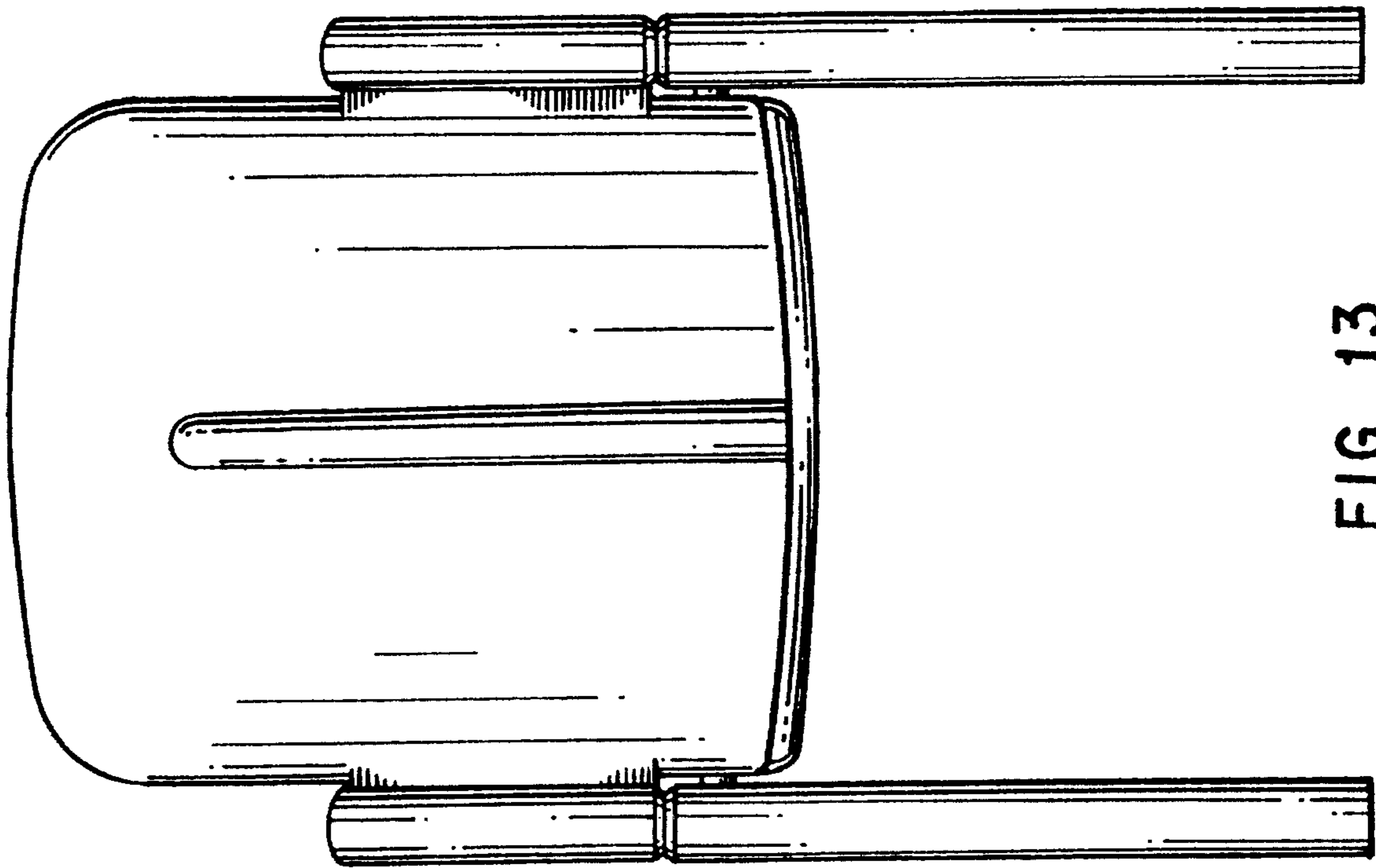


FIG. 13

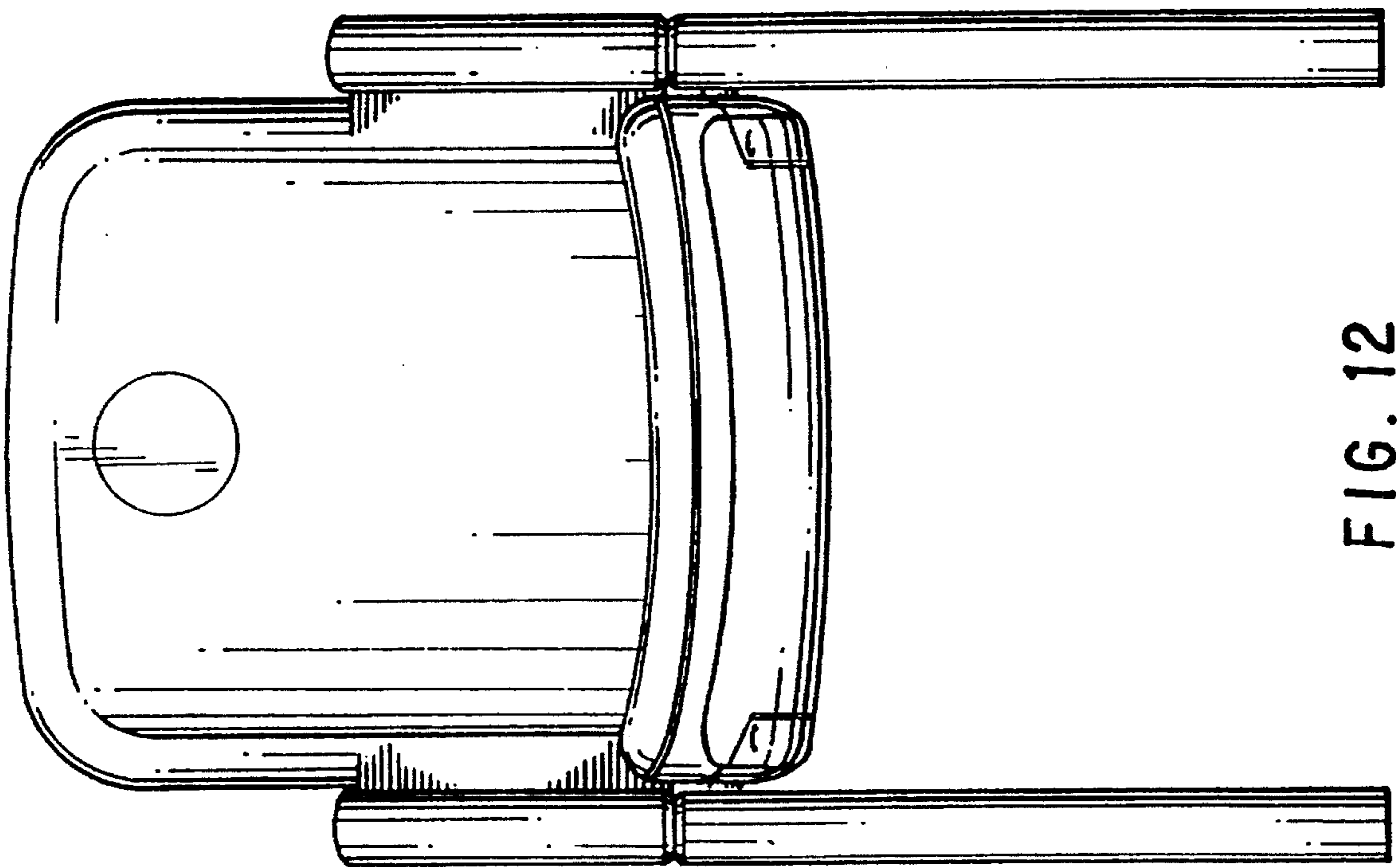


FIG. 12

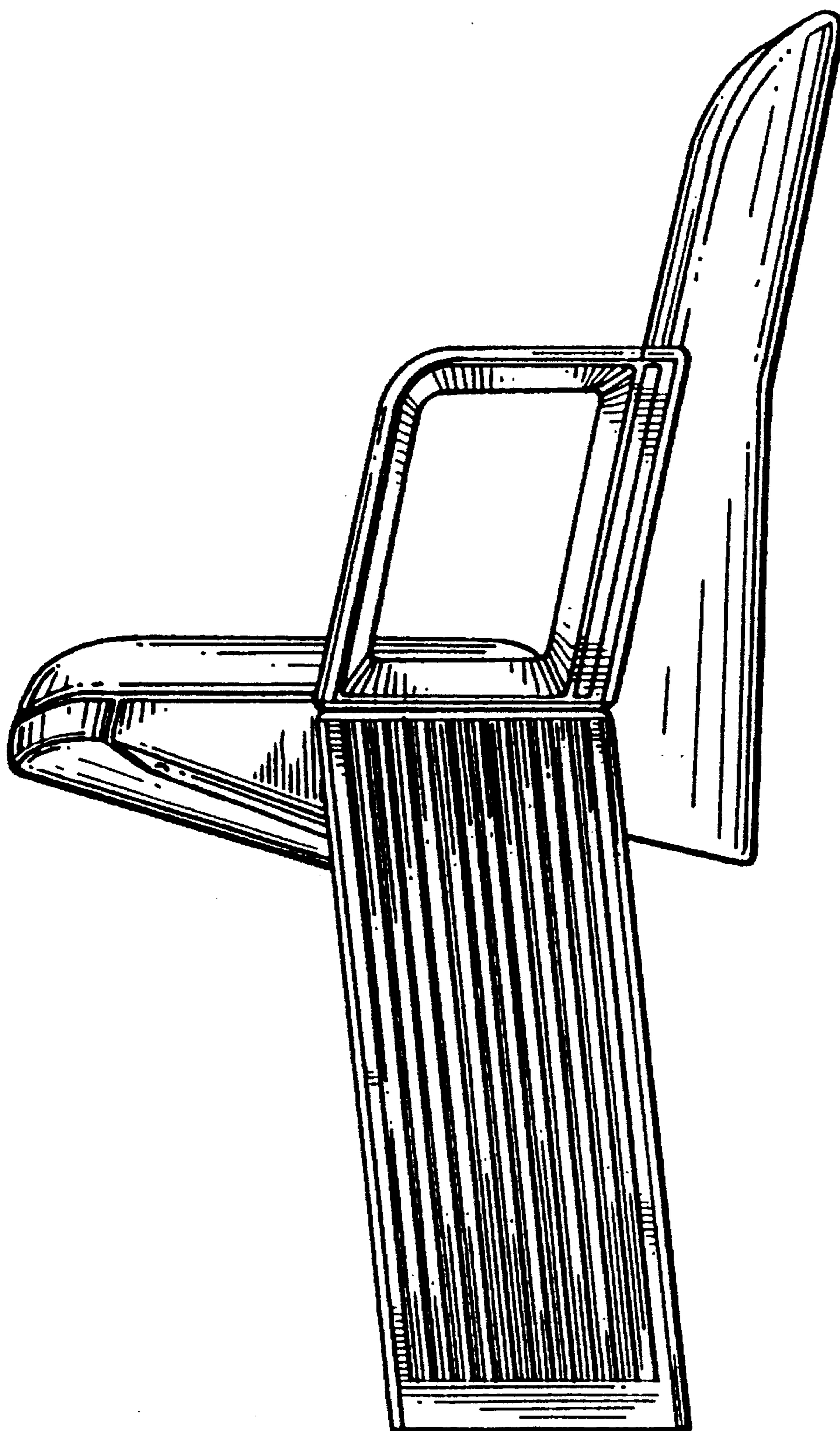


FIG. 14

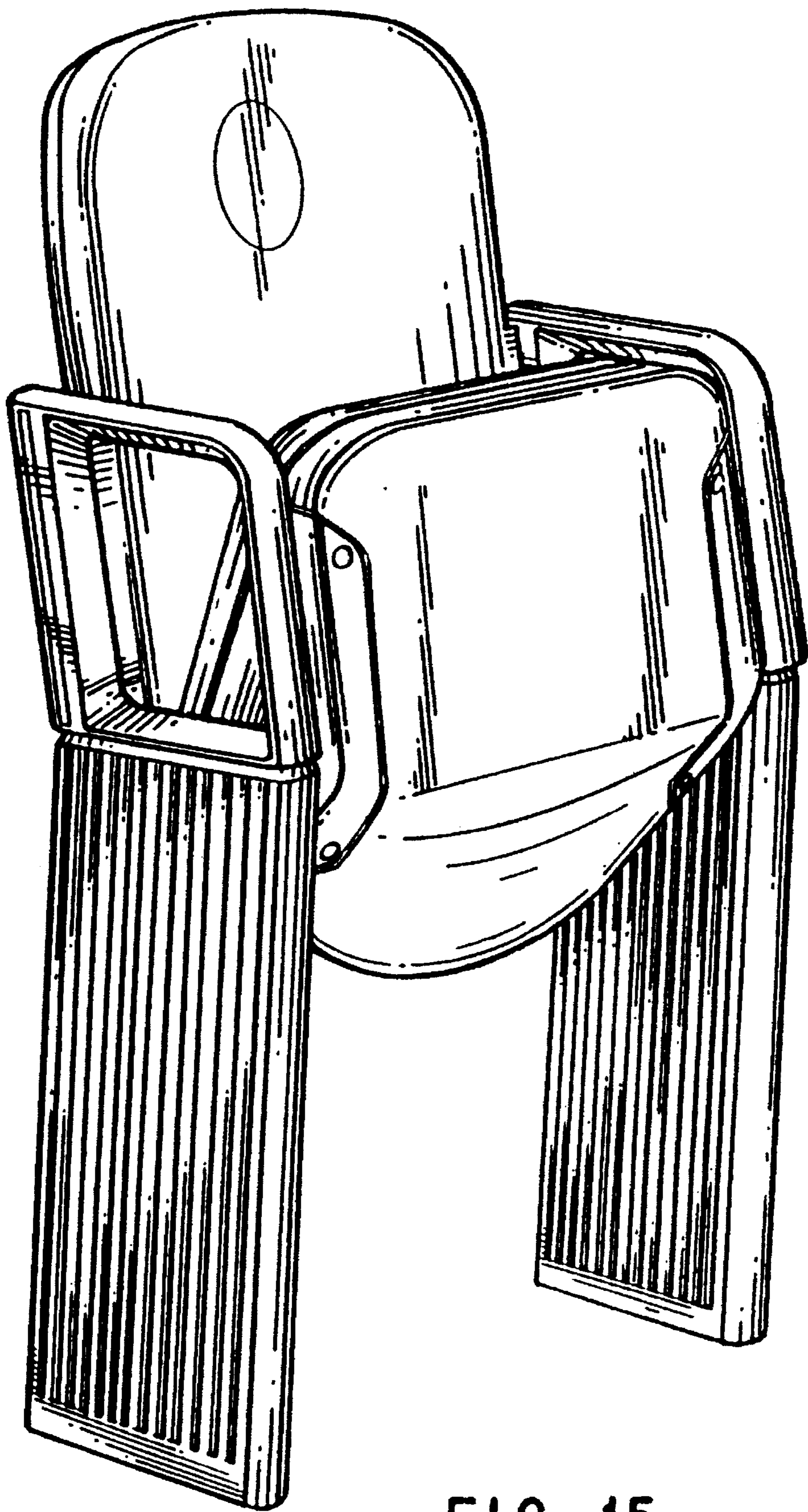


FIG. 15

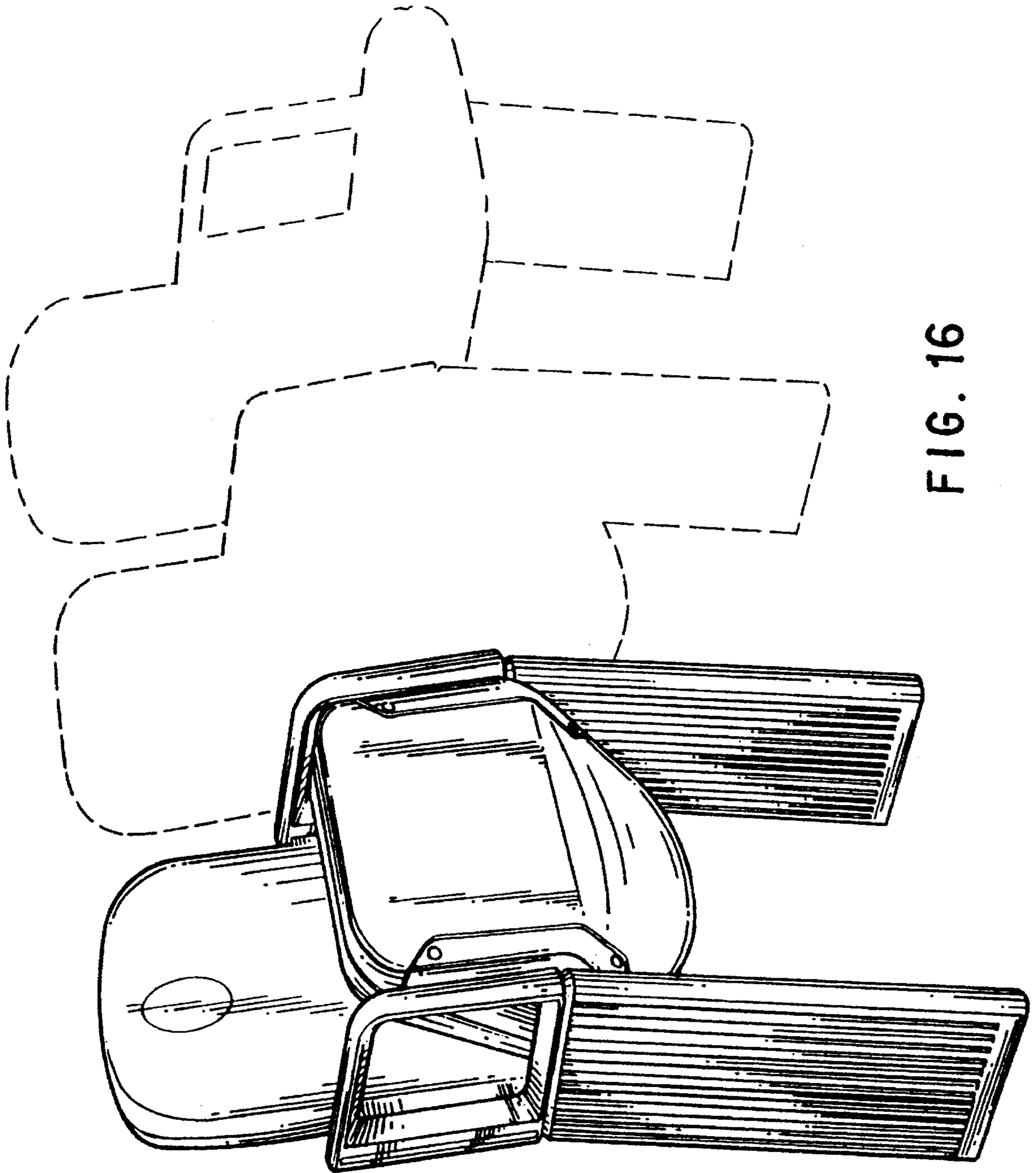


FIG. 16