



US00D368589S

United States Patent [19] Guio

[11] **Patent Number:** **Des. 368,589**
[45] **Date of Patent:** ****Apr. 9, 1996**

[54] **SOCK CLIP**

[76] **Inventor:** **Robert R. Guio**, 146 Highland Hills Dr., Follansbee, W. Va. 26037

[**] **Term:** **14 Years**

[21] **Appl. No.:** **14,274**

[22] **Filed:** **Oct. 18, 1993**

[52] **U.S. Cl.** **D6/315**

[58] **Field of Search** D6/324-326; D19/56, D19/65; D32/61, 63-65; 24/464, 542, 543, 559, DIG. 29

4,939,823 7/1990 Klein .
5,044,051 9/1991 Klein .
5,301,392 4/1994 Richman 24/559 X

FOREIGN PATENT DOCUMENTS

3725097 2/1988 Germany 223/DIG. 1
0091322 3/1958 Norway 24/559

Primary Examiner—Prabhakar G. Deshmukh
Assistant Examiner—Nanda Bondade
Attorney, Agent, or Firm—Richard C. Litman

[57] CLAIM

The ornamental design for a sock clip, as shown and described.

[56] References Cited

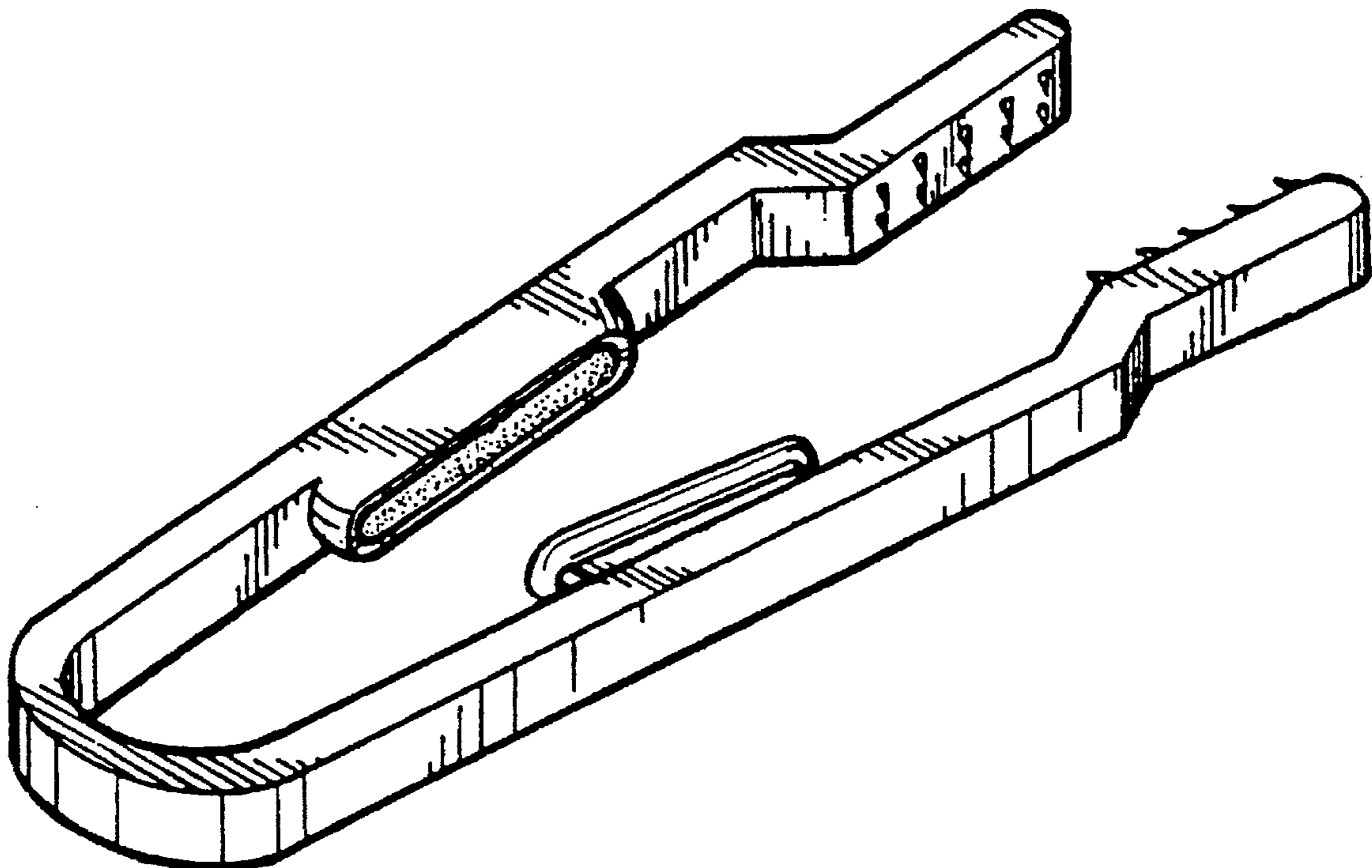
U.S. PATENT DOCUMENTS

D. 34,560 5/1901 DeLong .
D. 249,927 10/1978 Takahashi et al. .
D. 319,903 9/1991 Barner D8/395 X
1,402,153 1/1922 Dusinger .
1,556,127 10/1925 Pruett .
1,625,920 4/1927 Thurman .
3,204,636 9/1965 Kariher et al. 24/543 X
3,900,181 8/1975 Pitani .
4,765,335 8/1988 Schmidt et al. .
4,807,334 2/1989 Blanchard .

DESCRIPTION

FIG. 1 is a perspective view of a sock clip showing my new design;
FIG. 2 is a rear elevational view thereof;
FIG. 3 is a top plan view thereof, the bottom plan being a mirror image;
FIG. 4 is a left elevational view with the right elevational view being a mirror image thereof; and,
FIG. 5 is a front elevational view thereof.

1 Claim, 2 Drawing Sheets



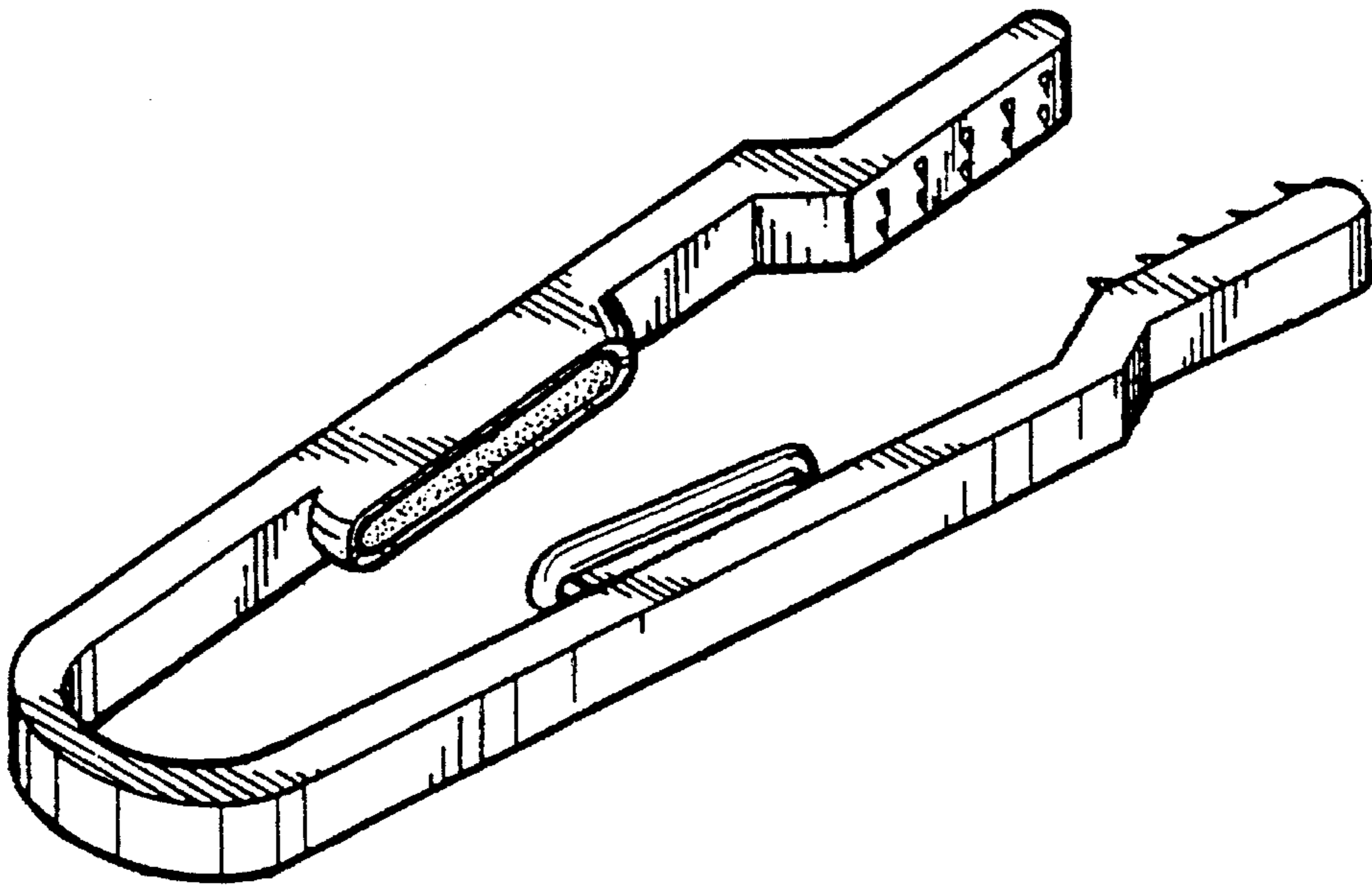


FIG. 1



FIG. 2

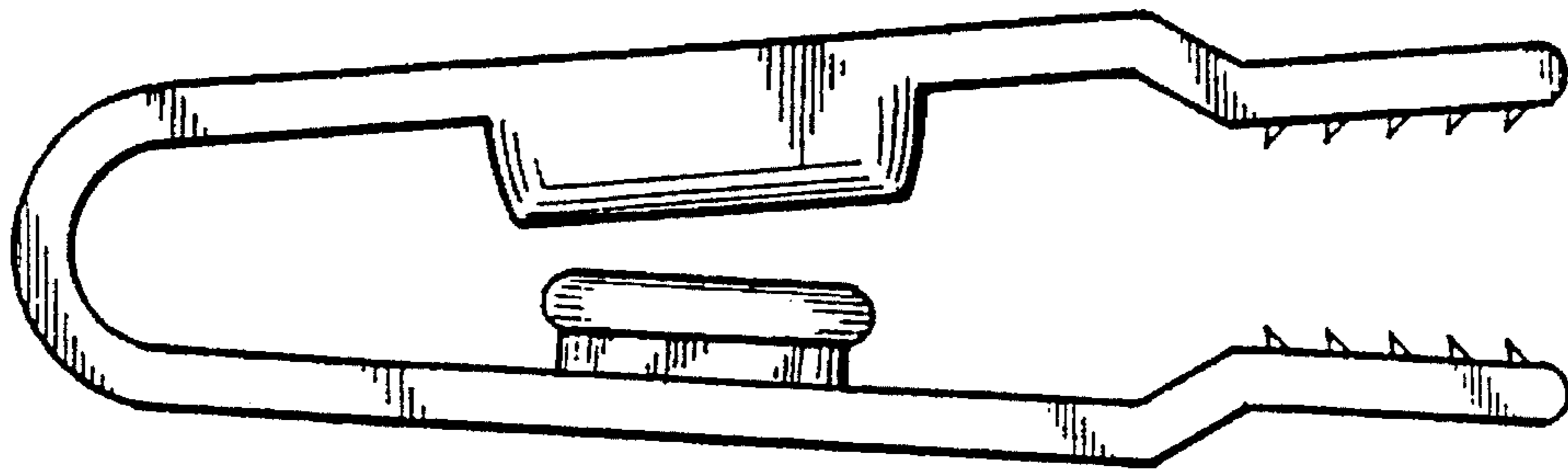


FIG. 3

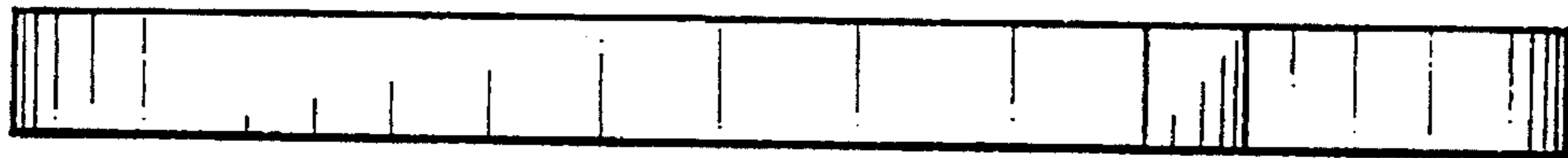


FIG. 4

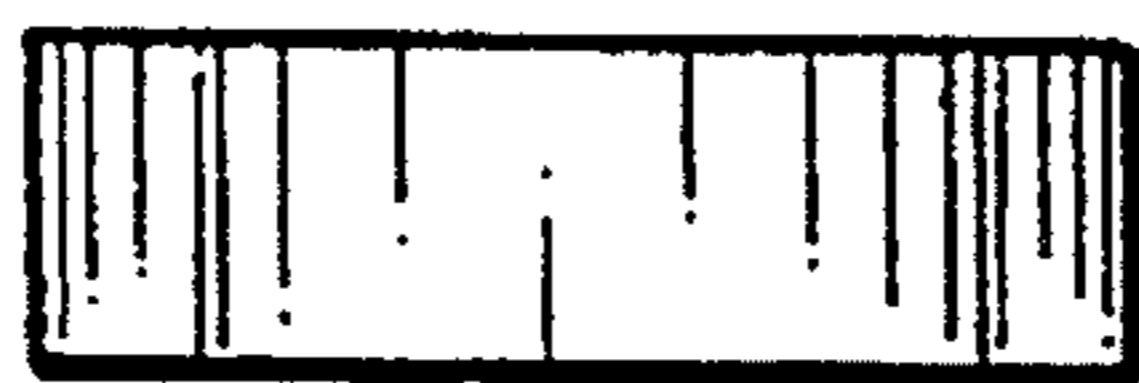


FIG. 5