



US00D368588S

United States Patent [19]

Goraleski et al.

[11] Patent Number: **Des. 368,588**

[45] Date of Patent: ****Apr. 9, 1996**

[54] **COMBINED PICTURE FRAME AND SNACK FOOD STORAGE BOX**

[76] Inventors: **Stacy M. Goraleski; Jeanne M. Goraleski**, both of P.O. Box 556, Verdugo City, Calif. 91046-0556

[**] Term: **14 Years**

[21] Appl. No.: **18,551**

[22] Filed: **Feb. 9, 1994**

[52] U.S. Cl. **D6/300; D6/314; D6/470**

[58] Field of Search **D6/300, 303, 308-314, D6/470; 40/152, 152.1, 154, 155, 156, 157, 160**

[56] **References Cited**

U.S. PATENT DOCUMENTS

D. 142,750 10/1945 Tourneau D6/470

D. 276,964	1/1985	Boland, II	D6/470
D. 278,495	4/1985	Rattner	D6/470
D. 292,851	11/1987	Krone	D6/300
4,356,650	11/1982	Antonczyk et al.	40/160

Primary Examiner—Janice E. Seeger

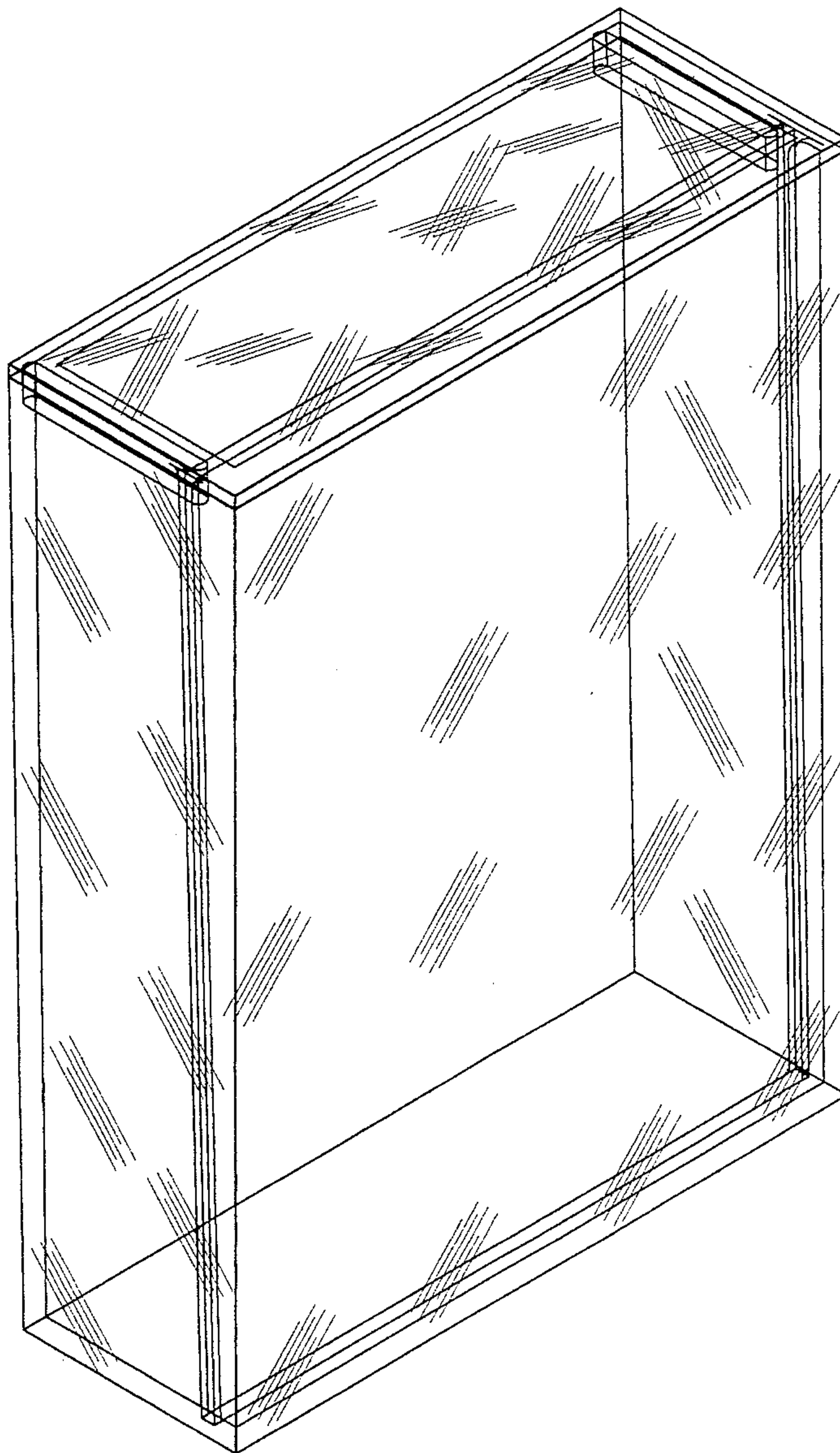
[57] **CLAIM**

The ornamental design for a combined picture frame and snack food storage box, as shown and described.

DESCRIPTION

FIG. 1 is a top plan view of my new design;
FIG. 2 is a front elevation view and is the same as the rear elevation view thereof;
FIG. 3 is a right side elevation view, the left side being a mirror image thereof;
FIG. 4 is a bottom plan view thereof; and
FIG. 5 is a front perspective view thereof.

1 Claim, 2 Drawing Sheets



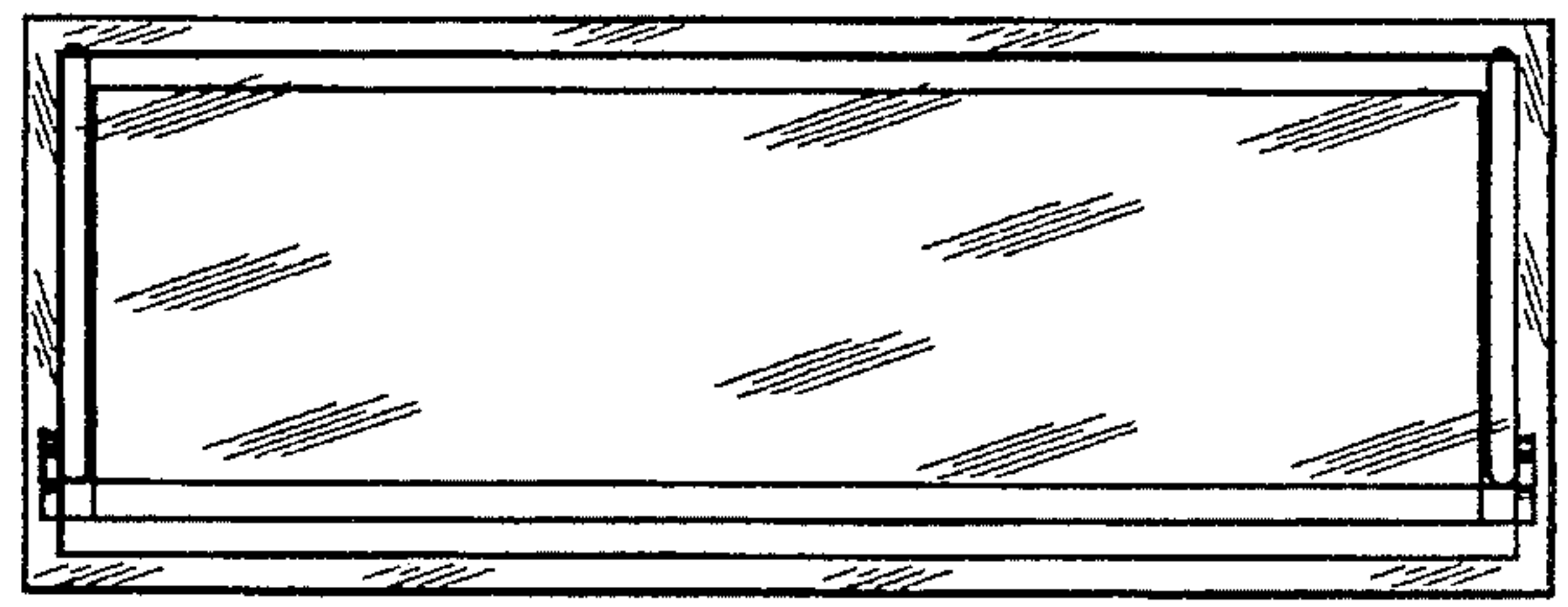


FIGURE 1

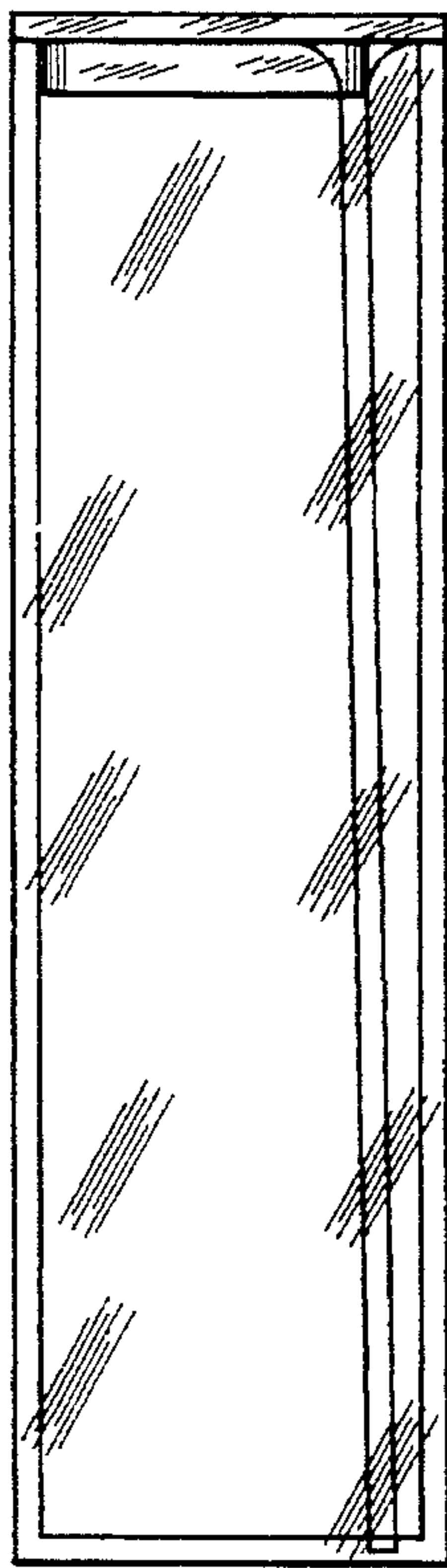


FIGURE 3

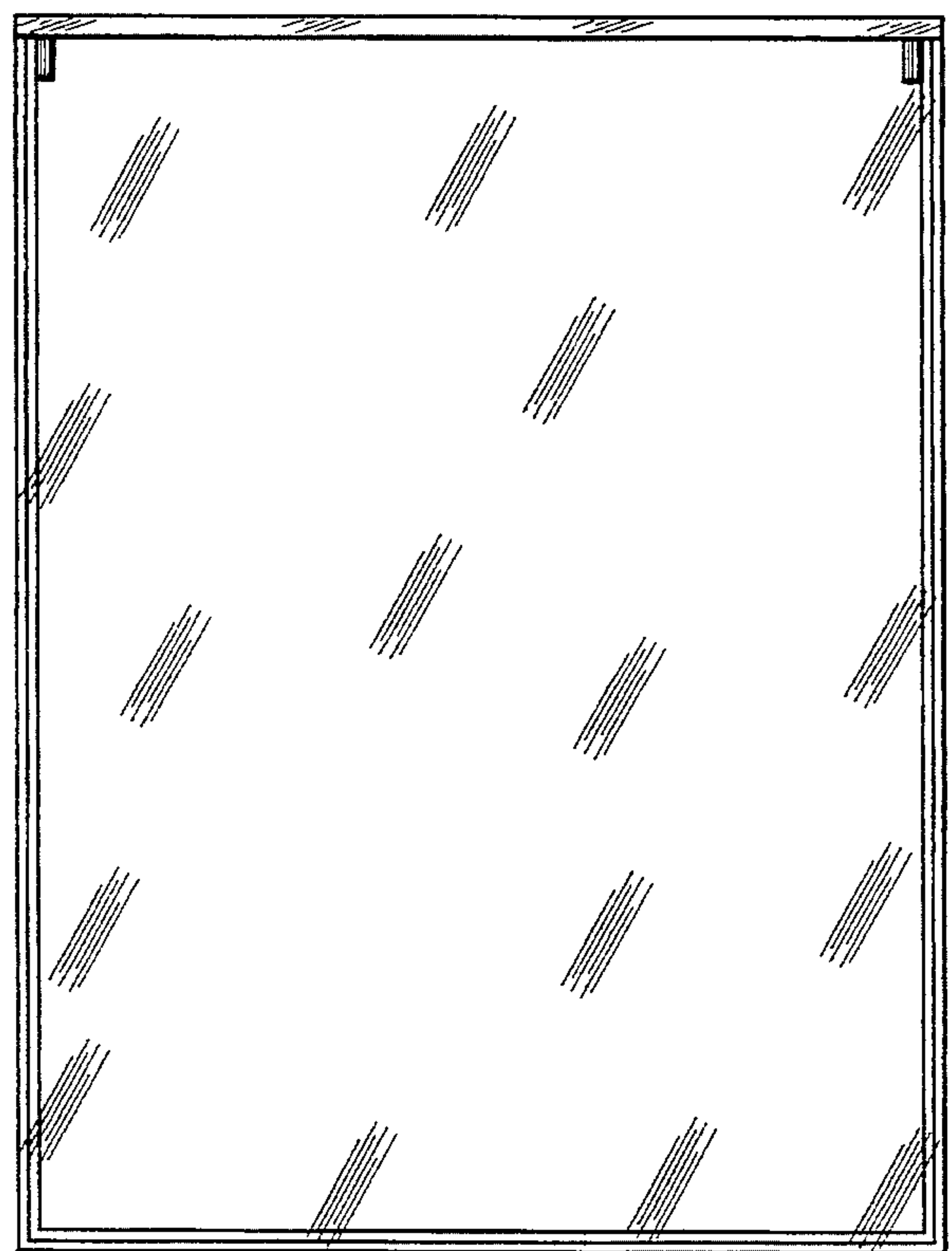


FIGURE 2

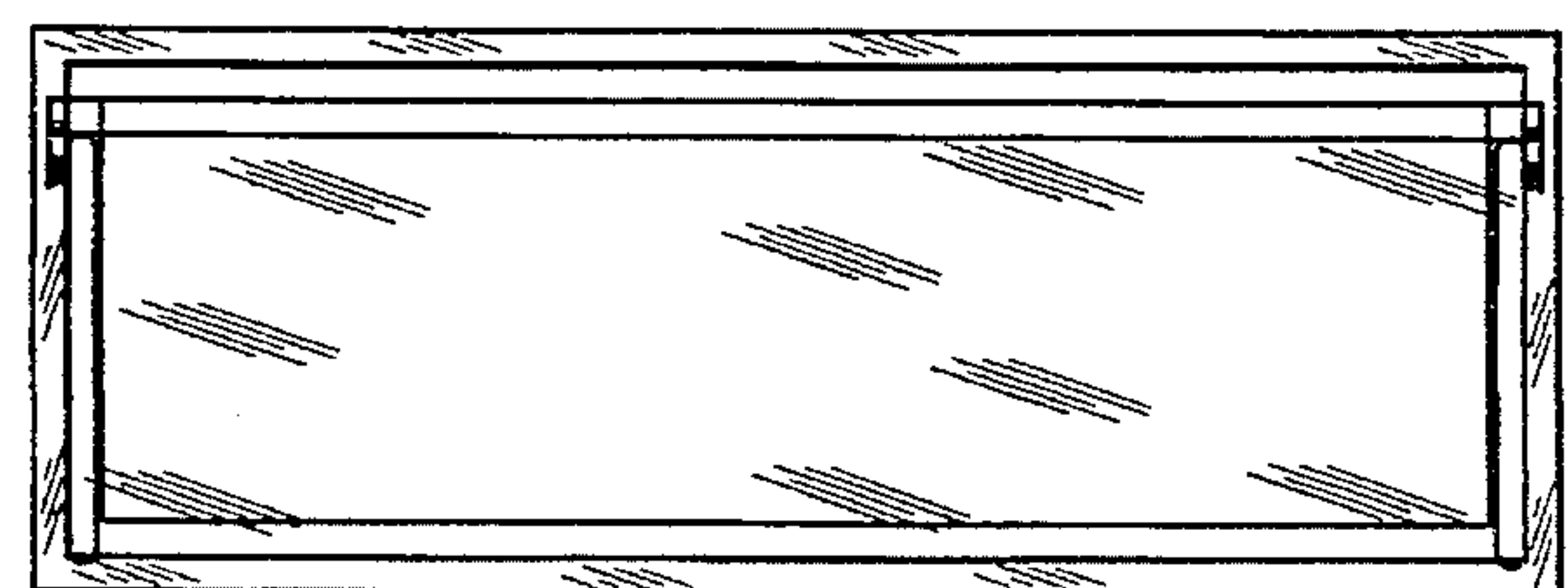


FIGURE 4

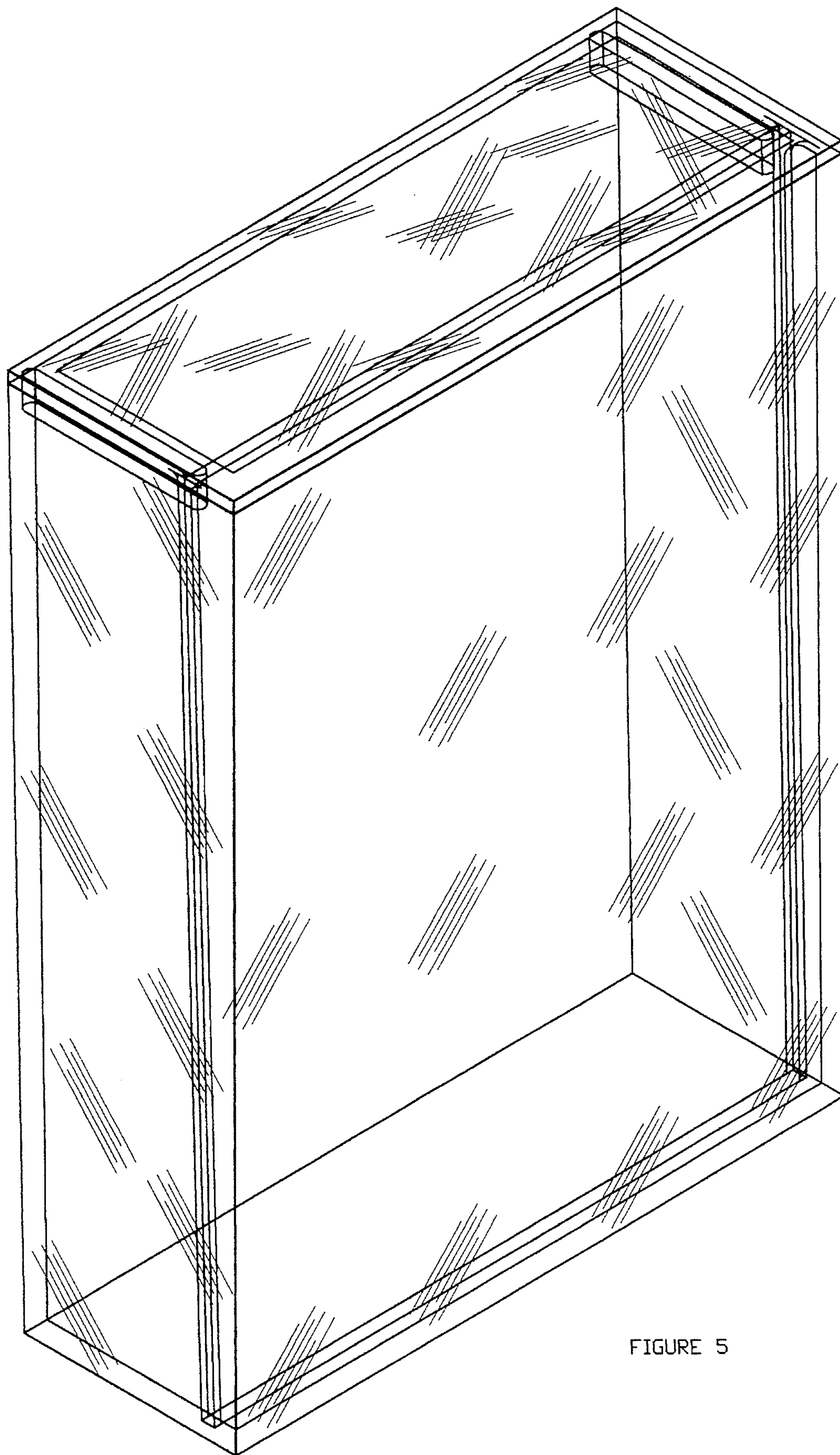


FIGURE 5