



US00D368585S

# United States Patent [19]

Garcia et al.

[11] Patent Number: **Des. 368,585**

[45] Date of Patent: **\*\*\* Apr. 9, 1996**

[54] **SKATE CARRIER**

5,269,580 12/1993 Hsiao ..... 294/165 X

[76] Inventors: **Dennis W. Garcia; Robby L. Rowe**,  
both of 2231 Elmwood Ave., Stockton,  
Calif. 95204

*Primary Examiner*—A. Hugo Word  
*Assistant Examiner*—Doris V. Coles

[\*] Notice: The portion of the term of this patent  
subsequent to Nov. 9, 2008, has been  
disclaimed.

[57] **CLAIM**

The ornamental design for a skate carrier, as shown and  
described.

[\*\*] Term: **14 Years**

**DESCRIPTION**

[21] Appl. No.: **6,525**

FIG. 1 is a top, front and side perspective of the skate carrier  
showing our new design;

[22] Filed: **Mar. 29, 1993**

FIG. 2 is a side elevational view, the opposite side being a  
mirror image thereof. The broken lines illustrating a skate  
and human hand are for illustrative purposes only and form  
no part of the claimed design;

[52] U.S. Cl. .... **D3/317**

[58] Field of Search ..... D3/317, 315; 294/102,  
294/147, 149, 150, 151, 153, 154, 165

FIG. 3 is a top plan view;

FIG. 4 is a bottom plan view;

FIG. 5 is an rear elevational view; and,

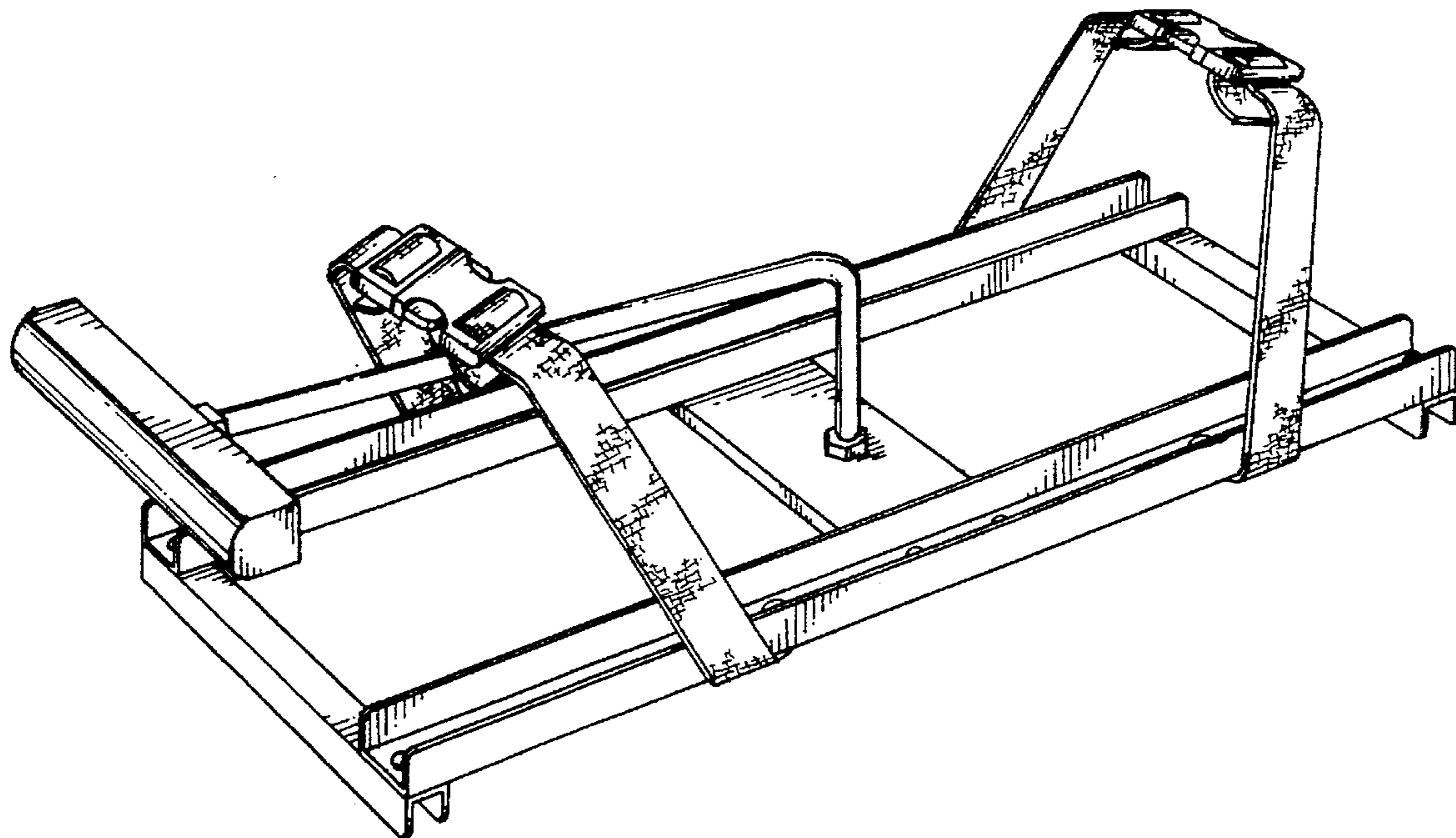
FIG. 6 is a front elevational view thereof.

[56] **References Cited**

**U.S. PATENT DOCUMENTS**

4,363,514 12/1982 Buffum ..... D3/317 X  
4,733,897 3/1988 Schuetzeberg ..... 294/162

**1 Claim, 2 Drawing Sheets**



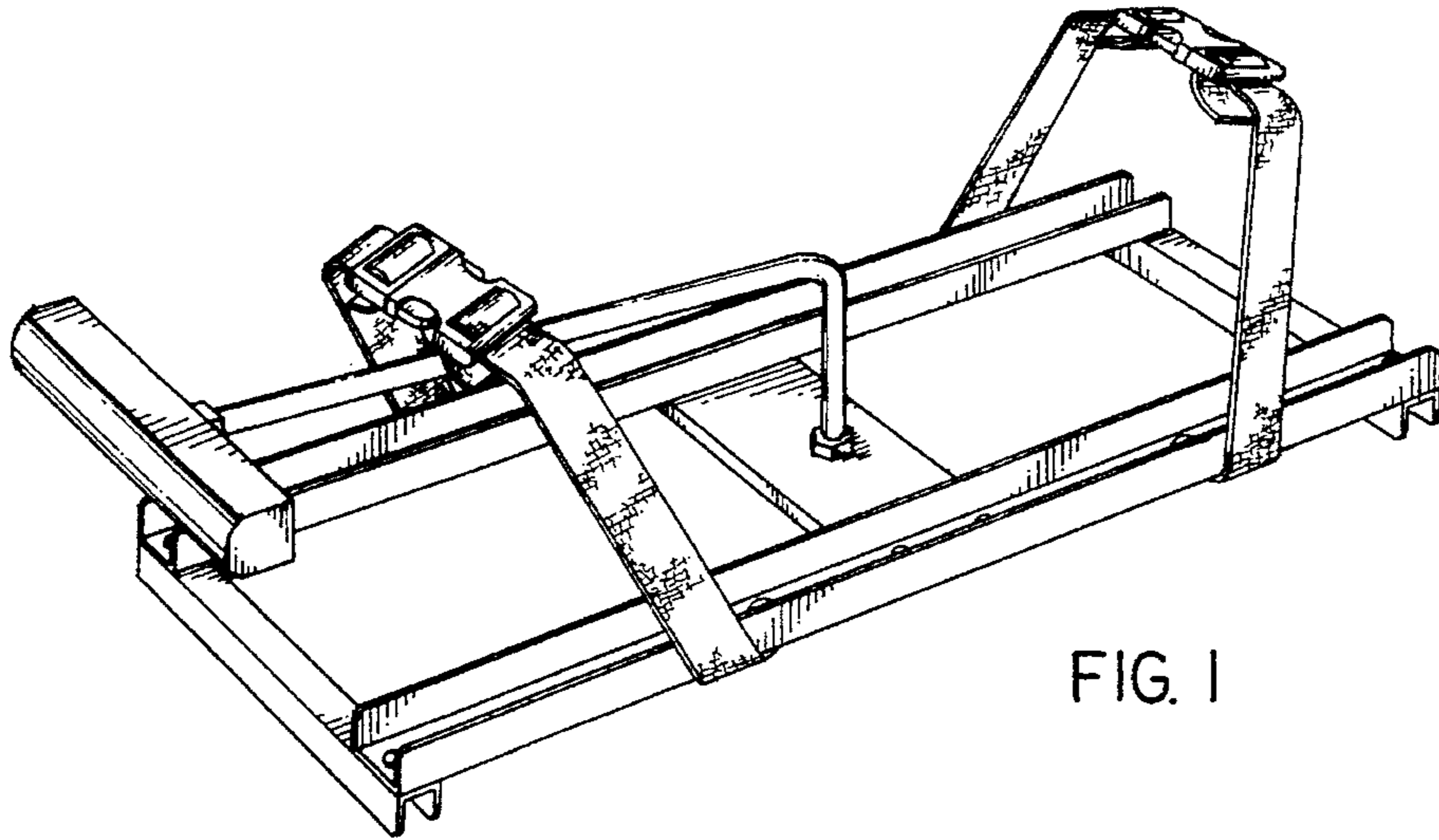


FIG. 1

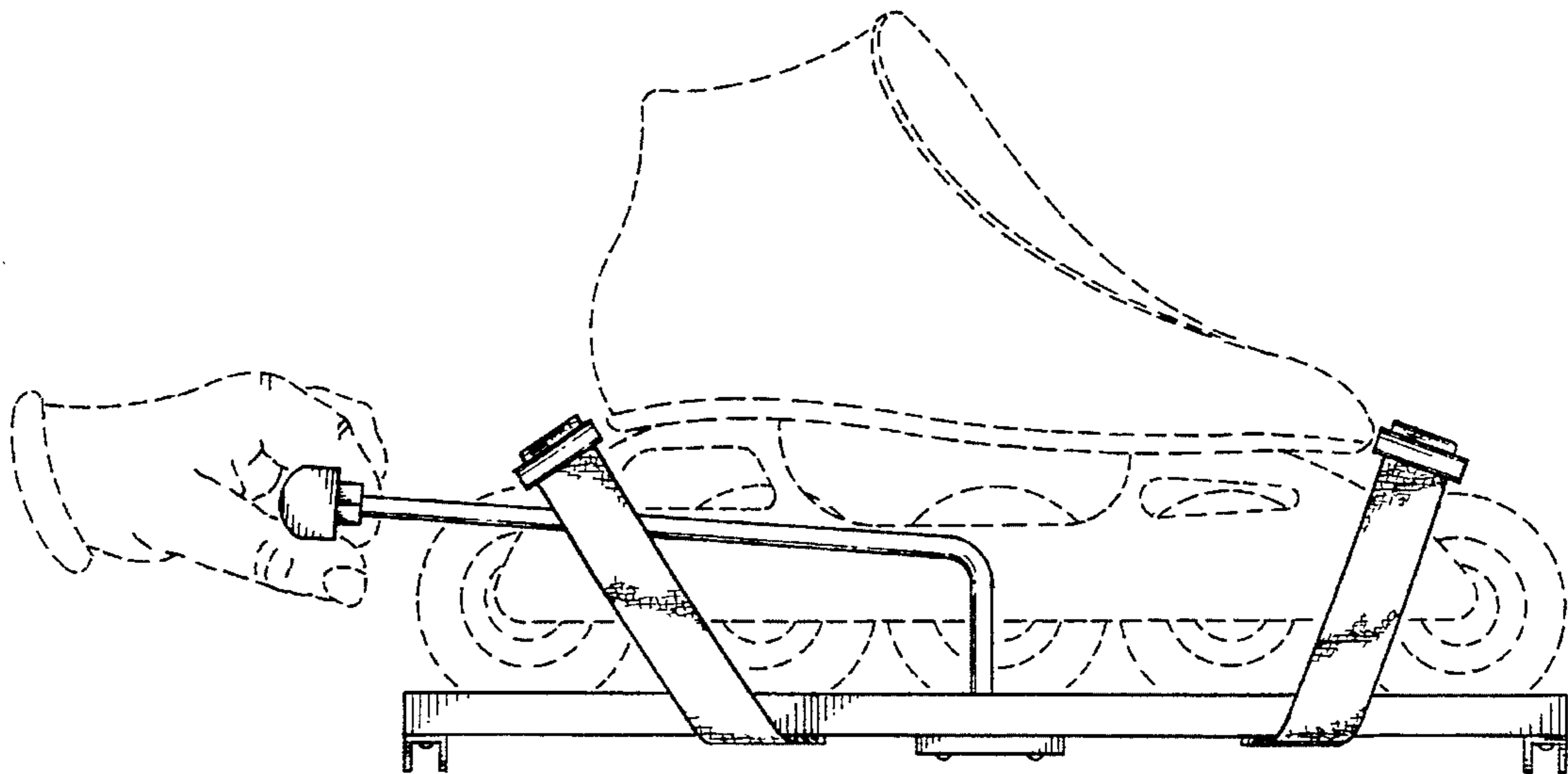


FIG. 2

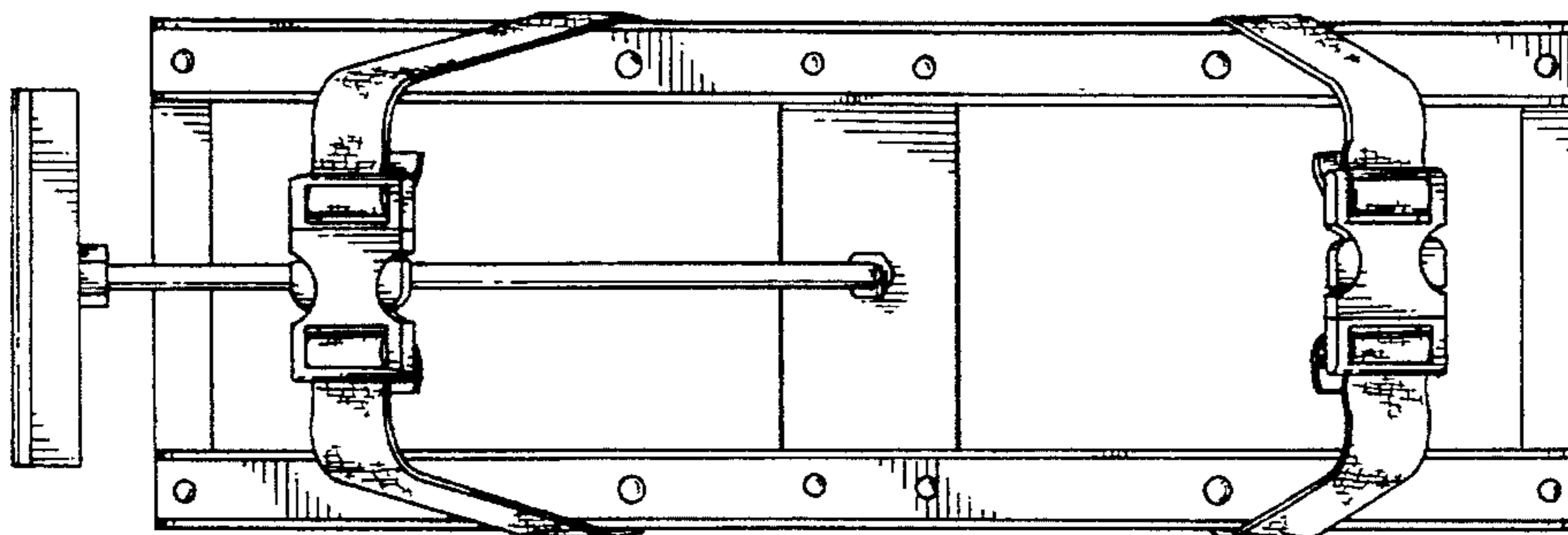


FIG. 3

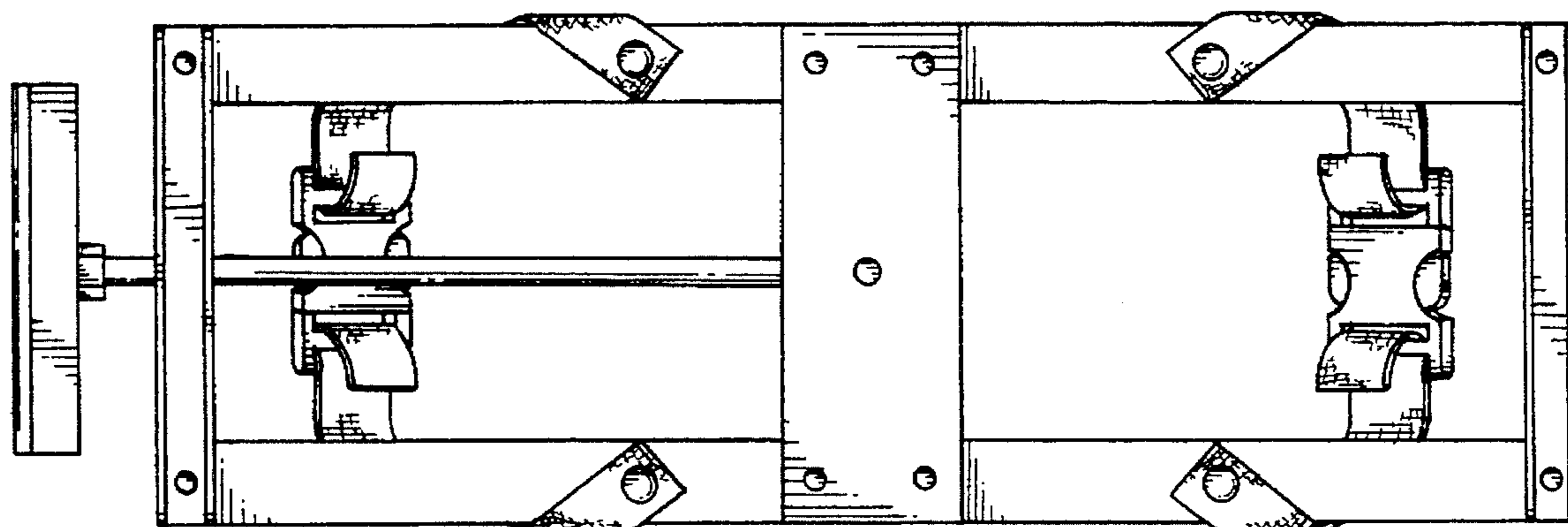


FIG. 4

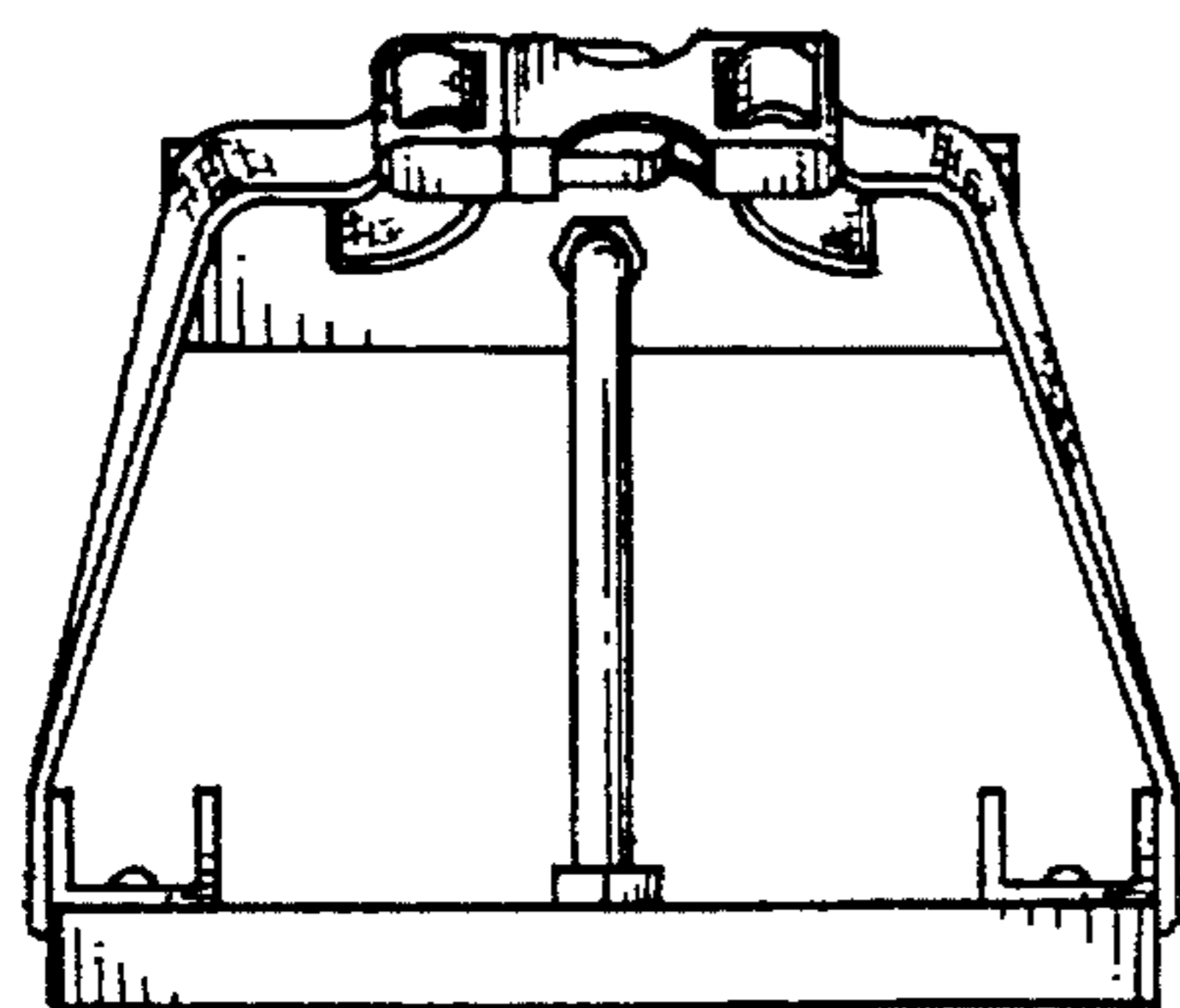


FIG. 5

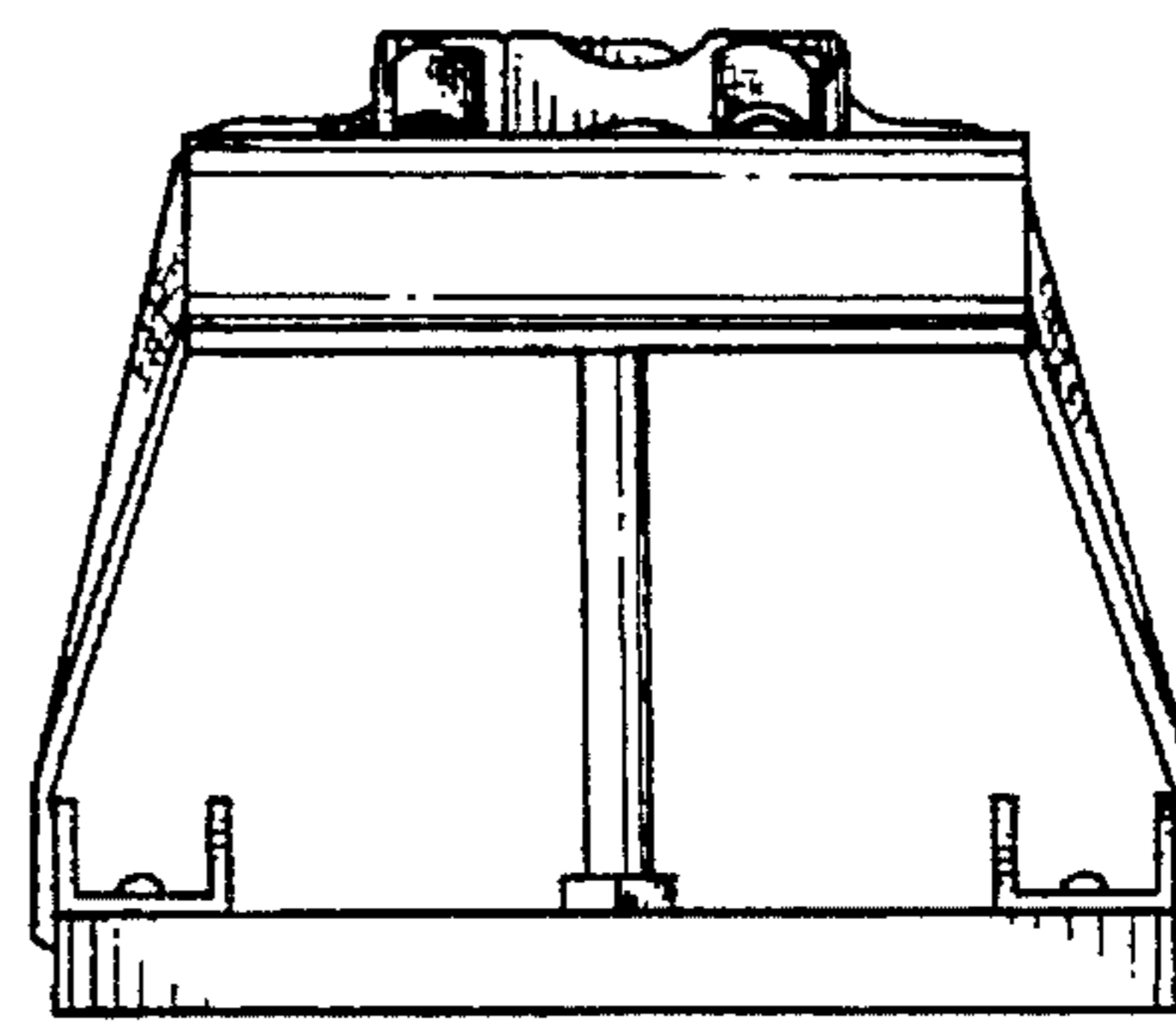


FIG. 6