



US00D368583S

# United States Patent [19]

Sharer et al.

[11] Patent Number: **Des. 368,583**

[45] Date of Patent: **\*\*Apr. 9, 1996**

[54] **JEWELRY CASE**

[76] Inventors: **Darla G. Sharer; Rodney R. Sharer**,  
both of 7500 SE. Ridge Dr., Gladstone,  
Oreg. 97027-1433

[\*\*] Term: **14 Years**

[21] Appl. No.: **34,980**

[22] Filed: **Feb. 16, 1995**

[52] U.S. Cl. .... **D3/294; D3/903; D6/448**

[58] Field of Search ..... **D3/273, 294, 284,**  
**D3/903, 296; 312/324, 234, 245, 283; 206/6.1,**  
**373; D6/440, 446**

[56] **References Cited**

**U.S. PATENT DOCUMENTS**

D. 319,153	8/1991	Powell	.....	D6/446
D. 319,154	8/1991	Powell	.....	D3/903
D. 319,155	8/1991	Powell	.....	D3/903
D. 320,317	10/1991	Powell	.....	D3/903
D. 346,695	5/1994	Williams	.....	D3/296

3,997,219	12/1976	Phelps	.....	312/324
4,058,356	11/1977	Michal	.....	D3/903
4,170,392	10/1979	Spevak	.....	206/373
5,069,332	12/1991	Williams et al.	.....	206/6.1

*Primary Examiner*—Philip S. Hyder  
*Attorney, Agent, or Firm*—Harpman & Harpman

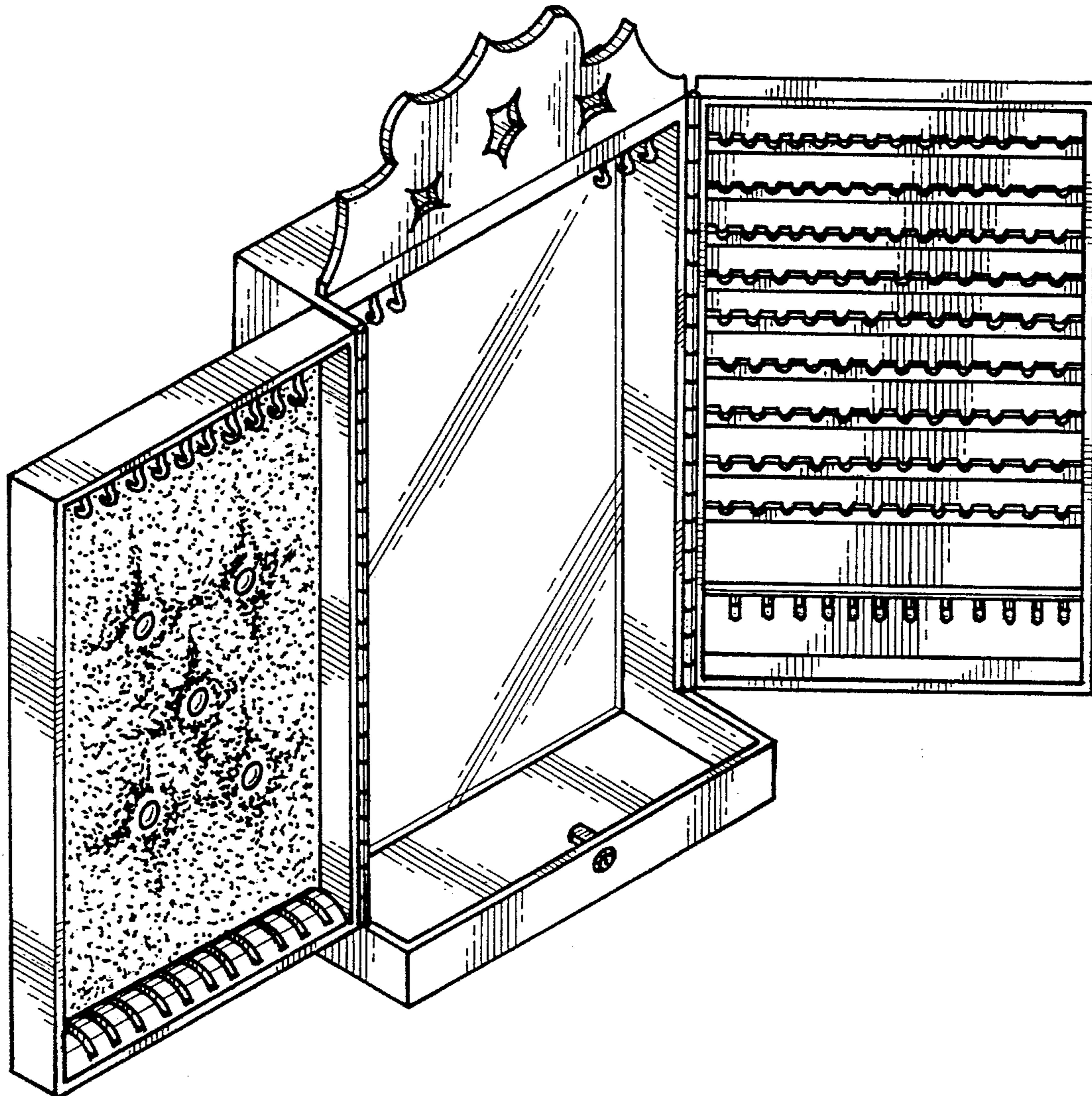
[57] **CLAIM**

The ornamental design for a jewelry case, as shown and described.

**DESCRIPTION**

FIG. 1 is a front, top and side perspective view of the jewelry case embodying the new design;  
FIG. 2 is a left side elevational view thereof;  
FIG. 3 is a right side elevational view thereof;  
FIG. 4 is a front elevational view thereof;  
FIG. 5 is a rear elevational view thereof;  
FIG. 6 is a top plan view thereof;  
FIG. 7 is a bottom plan view thereof; and,  
FIG. 8 is a perspective view thereof, in open position.

**1 Claim, 5 Drawing Sheets**



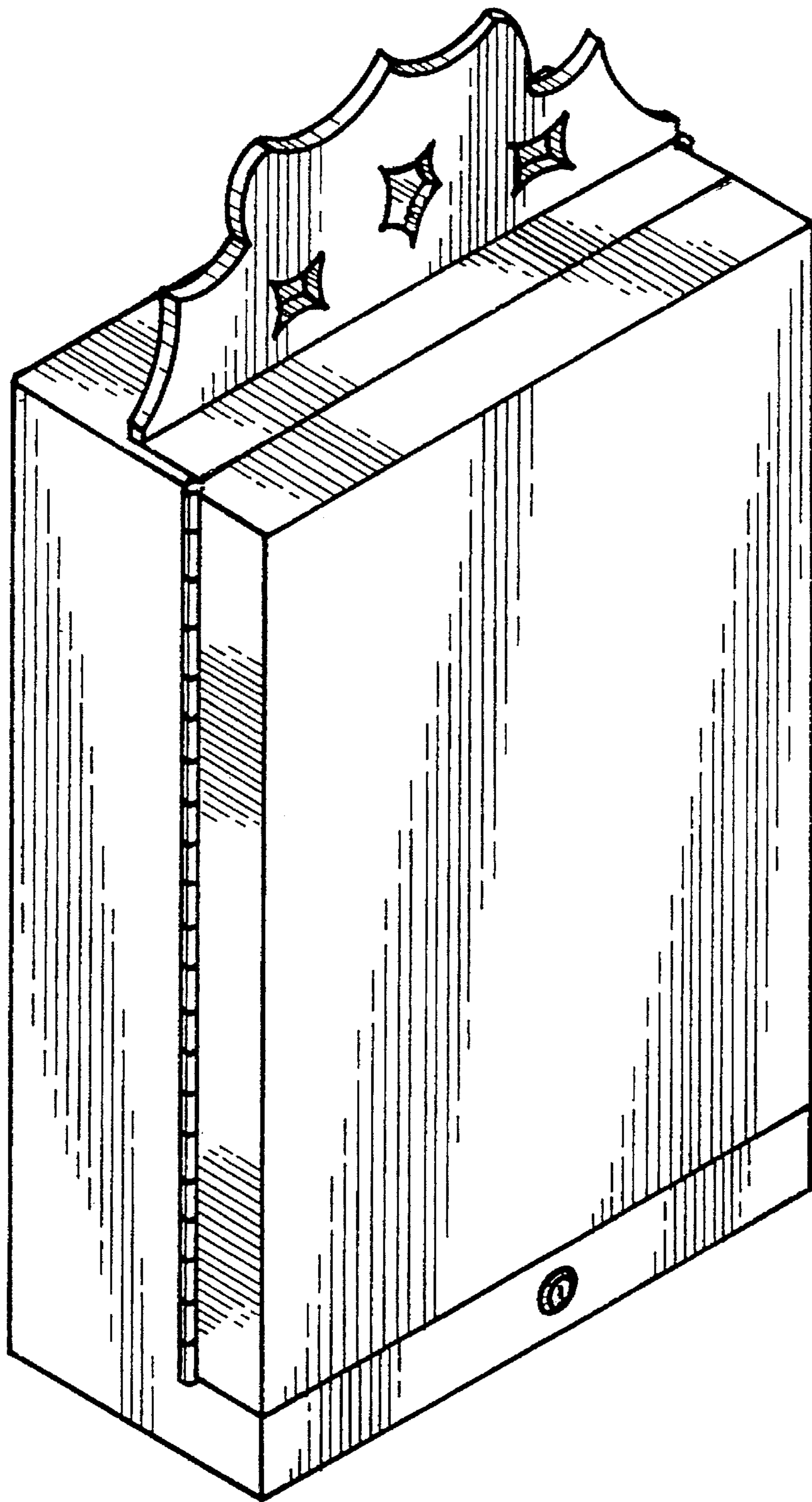


FIG. 1

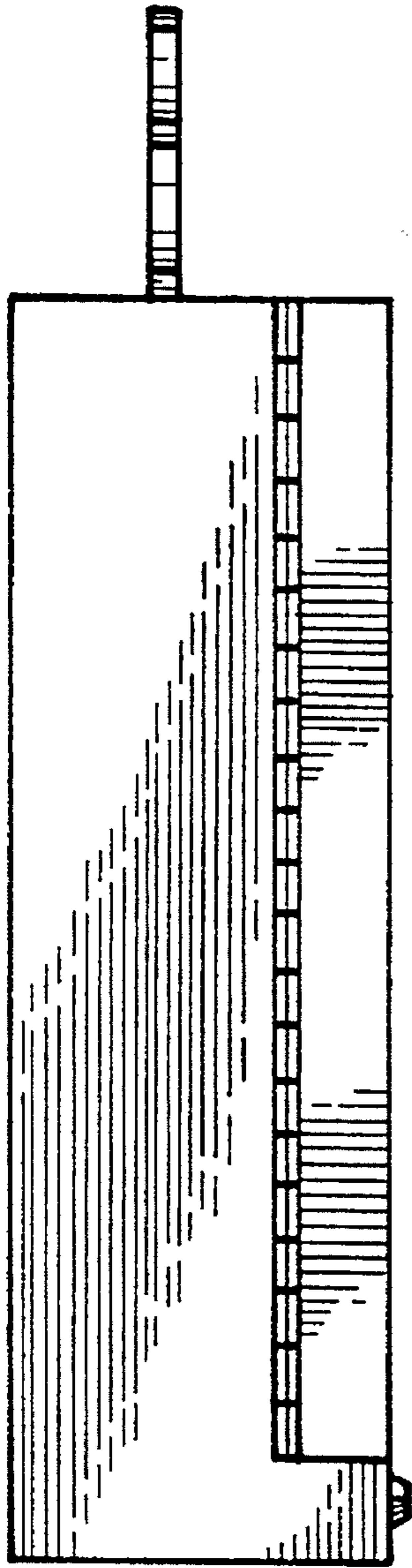


FIG. 2

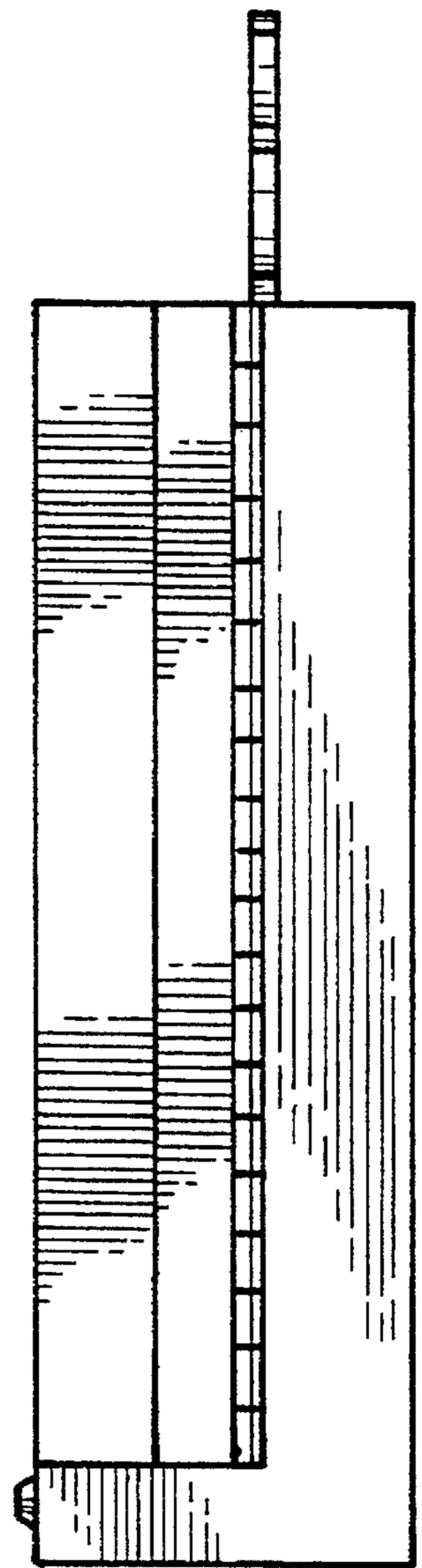


FIG. 3

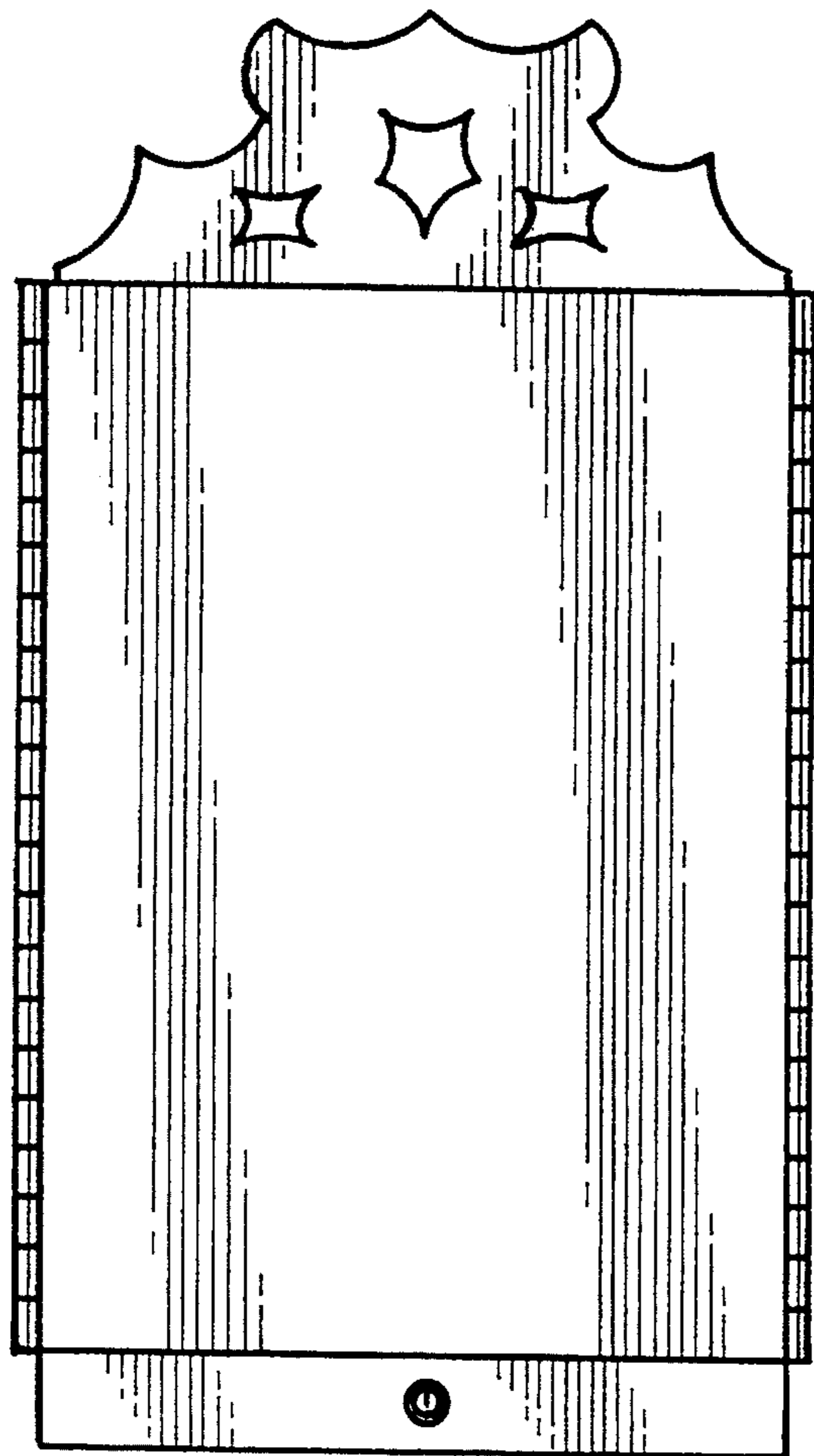


FIG. 4

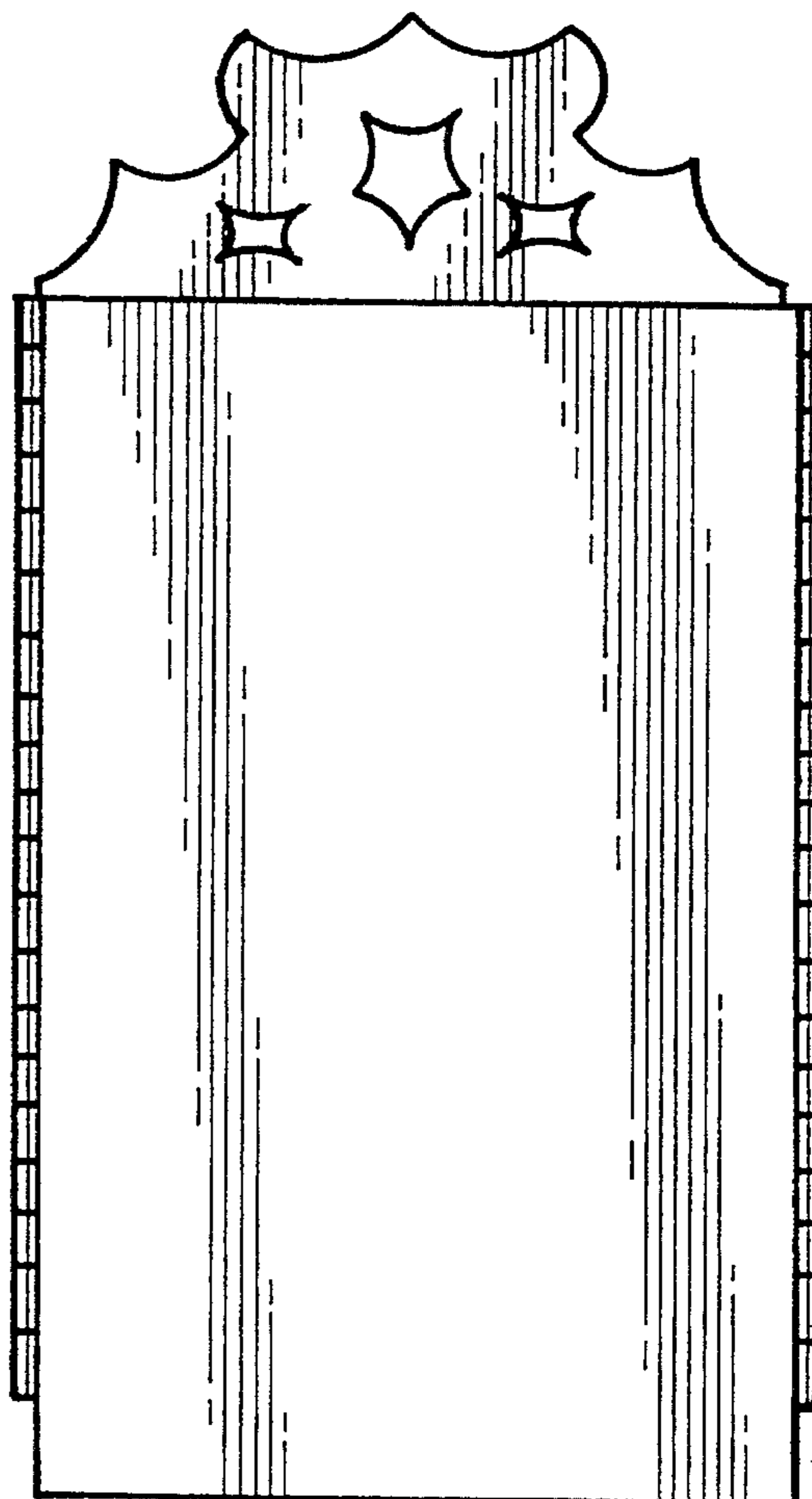


FIG. 5

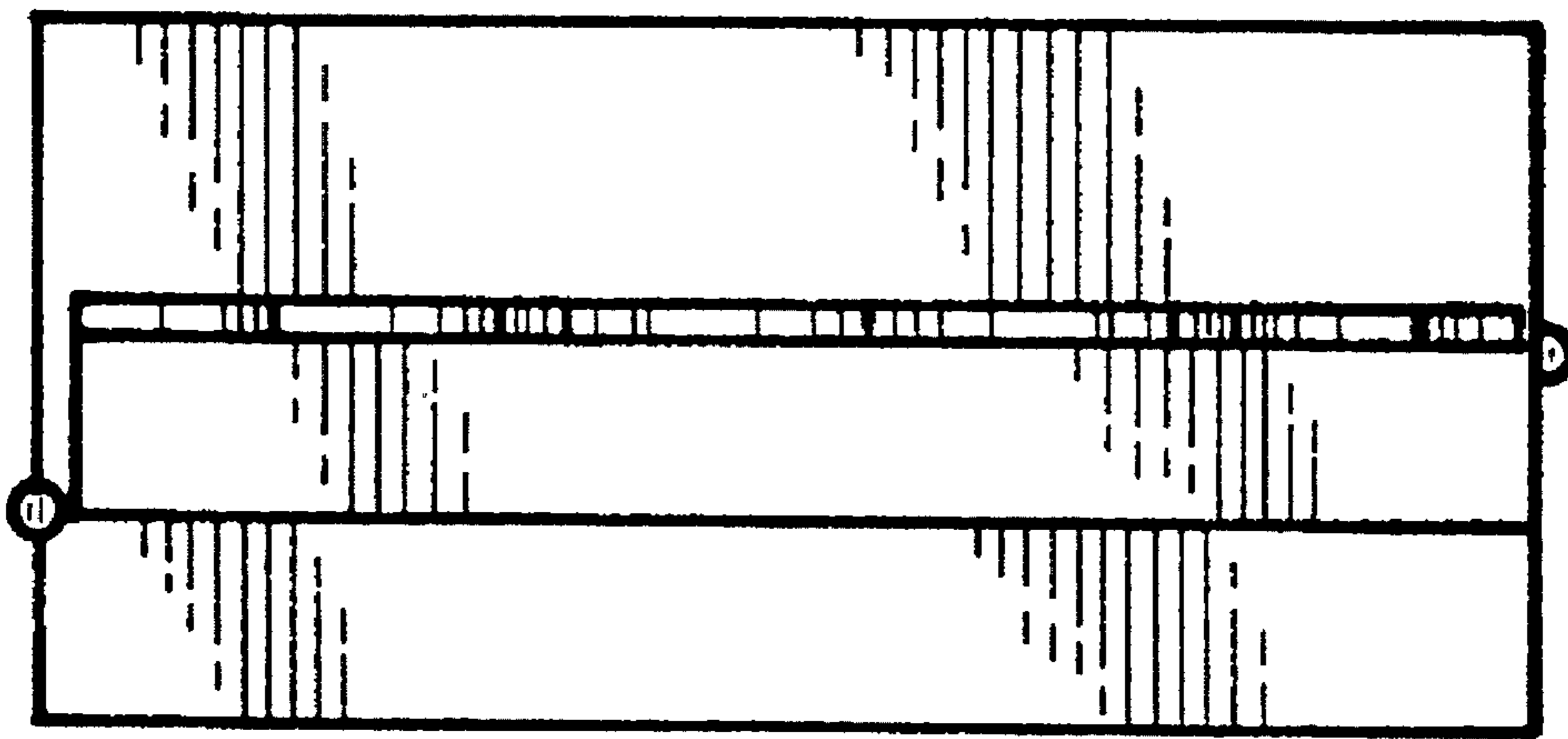


FIG. 6

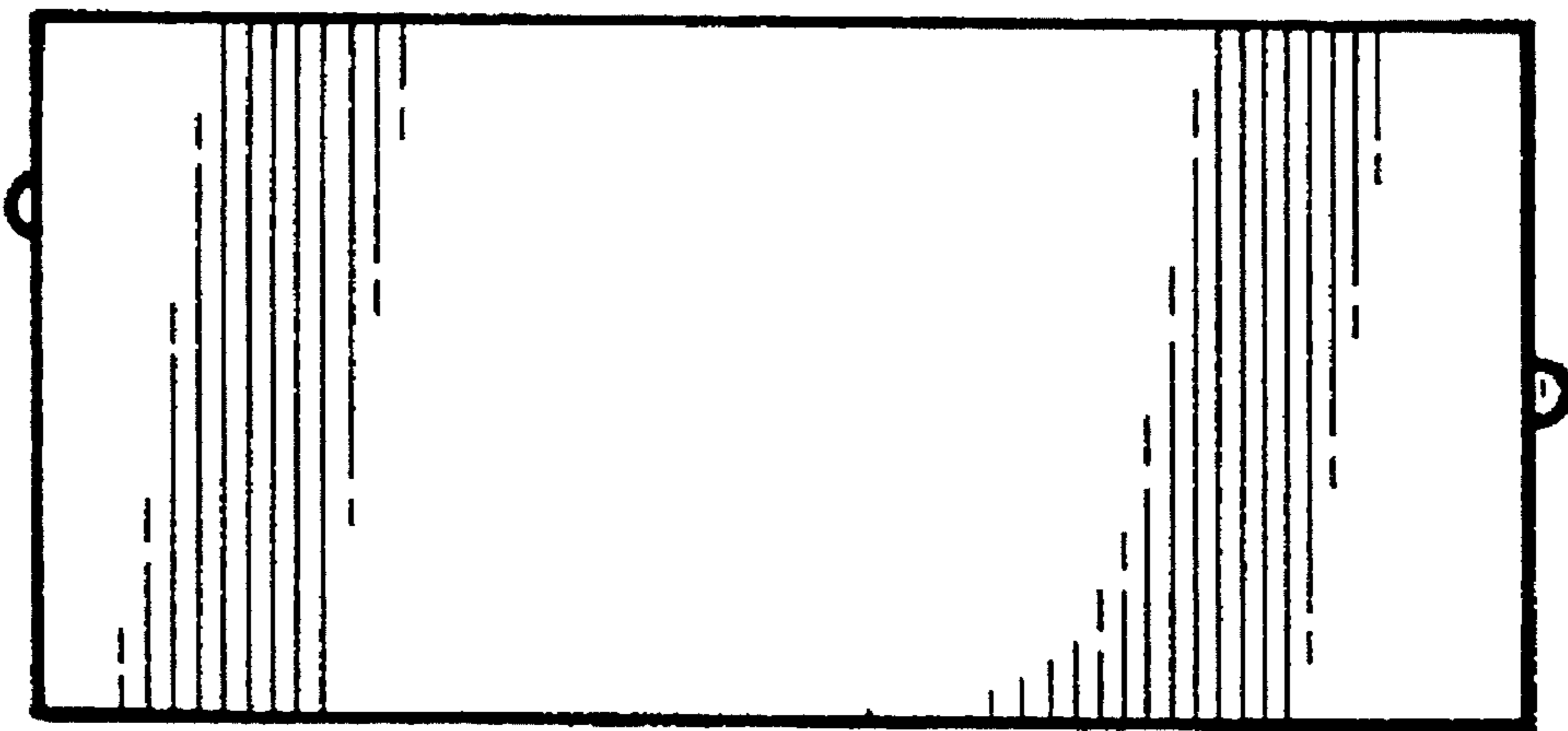


FIG. 7

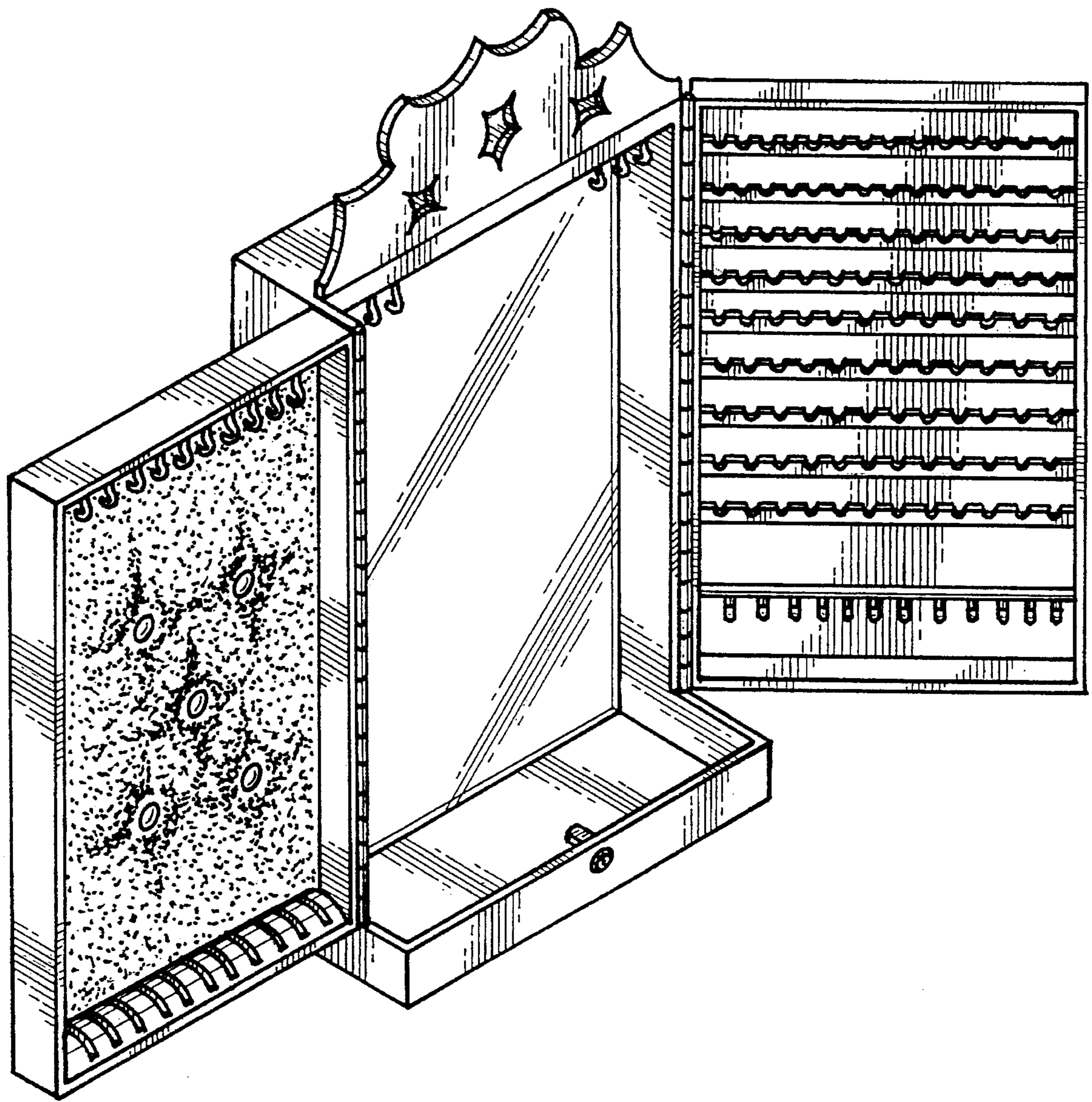


FIG. 8