



US00D368581S

United States Patent [19]
Cincotta

[11] **Patent Number: Des. 368,581**
[45] **Date of Patent: **Apr. 9, 1996**

[54] **CARRYING CASE OR POUCH FOR PORTABLE ELECTRONIC EQUIPMENT**

[76] Inventor: **John C. Cincotta**, 32 Temple St., Boston, Mass. 02114

[**] Term: **14 Years**

[21] Appl. No.: **25,343**

[22] Filed: **Jun. 30, 1994**

[52] U.S. Cl. **D3/218; D3/225**

[58] **Field of Search** D3/218, 215, 225, D3/230, 243; 224/236, 252, 253, 151, 901, 224, 225, 226; 206/306, 823, 207

[56] **References Cited**

U.S. PATENT DOCUMENTS

D. 109,480	5/1938	Harlem	D3/243	X
D. 140,498	3/1945	Calem	D3/243	
D. 294,081	2/1988	Ito	D3/219	
D. 297,683	9/1988	Beuchan	D3/218	
D. 302,075	7/1989	Burger	D3/218	
D. 306,654	3/1990	Brown	D3/226	X
D. 322,514	12/1991	Her	D3/230	X
D. 329,750	9/1992	Gilmore et al.	D3/218	
597,325	1/1998	Prickett	D3/243	X
3,813,017	5/1974	Pimsleur	224/240	
4,006,764	2/1977	Yamamoto et al.	206/320	
4,620,653	11/1986	Farrell	224/242	

4,775,083	10/1988	Burger et al.	224/253
4,801,059	1/1989	Hayes	224/240
4,896,805	1/1990	Klaczak et al.	224/236
5,121,865	6/1992	Howard	224/253
5,172,838	12/1992	Rowell et al.	224/224

Primary Examiner—Louis S. Zarfes
Assistant Examiner—Catherine R. Oliver
Attorney, Agent, or Firm—Ernest V. Linek

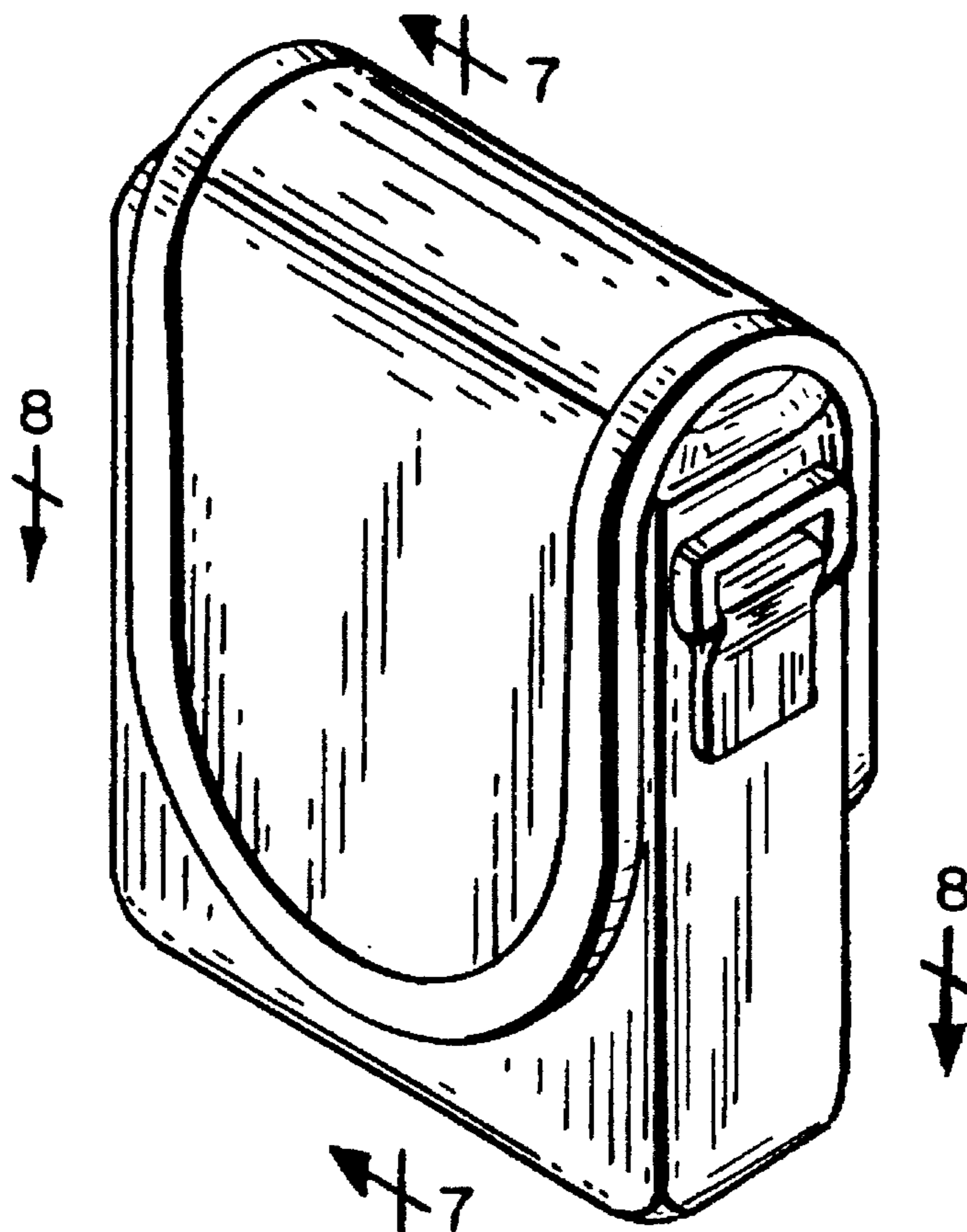
[57] **CLAIM**

The ornamental design of a carrying case for portable electronic equipment, as shown and described.

DESCRIPTION

FIG. 1 is an isometric view of the carrying case for portable electronic equipment of this invention; FIG. 2 is the front view of the carrying case for portable electronic equipment of this invention; FIG. 3 is the left side view of the carrying case for portable electronic equipment of this invention - the right side being a mirror image thereof; FIG. 4 is the rear view of the carrying case for portable electronic equipment of this invention; FIG. 5 is the plan view of the carrying case for portable electronic equipment of this invention; and, FIG. 6 is the bottom view of the carrying case for portable electronic equipment of this invention.

1 Claim, 2 Drawing Sheets



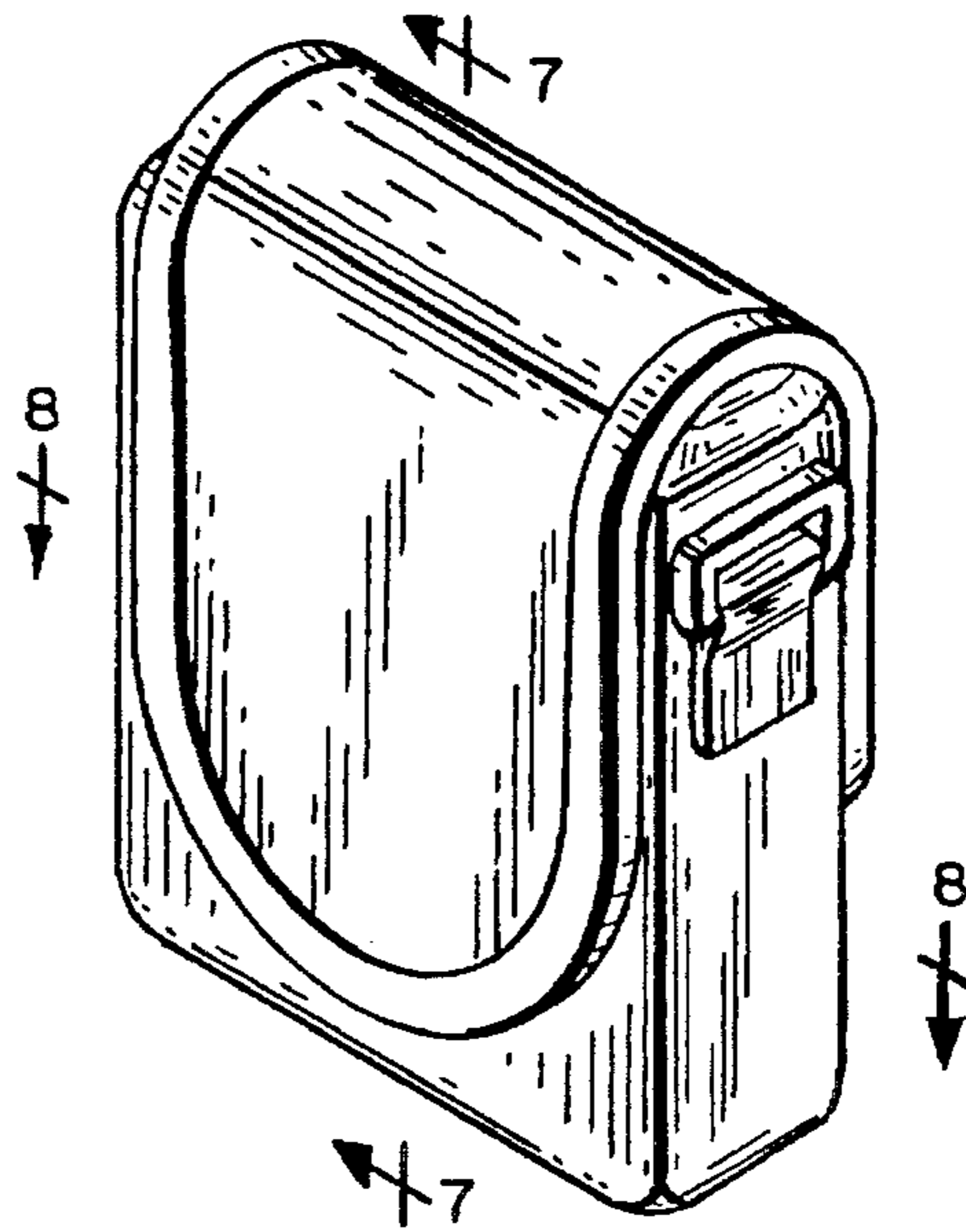


FIG. 1

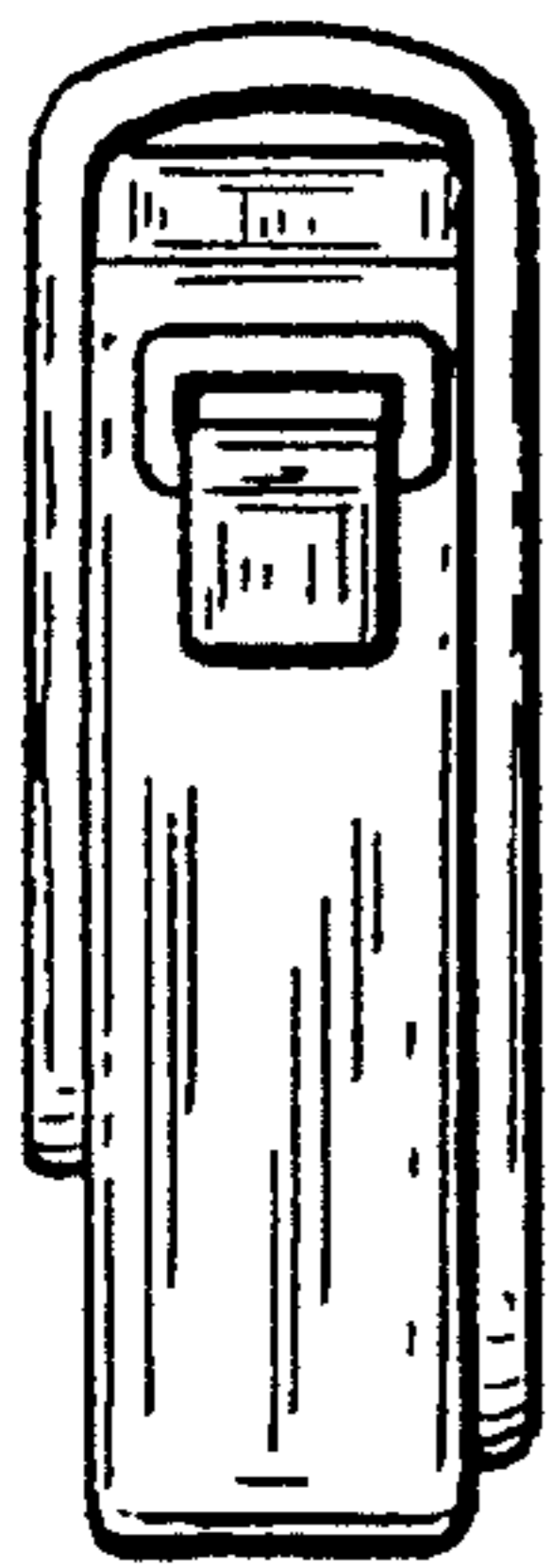


FIG. 3

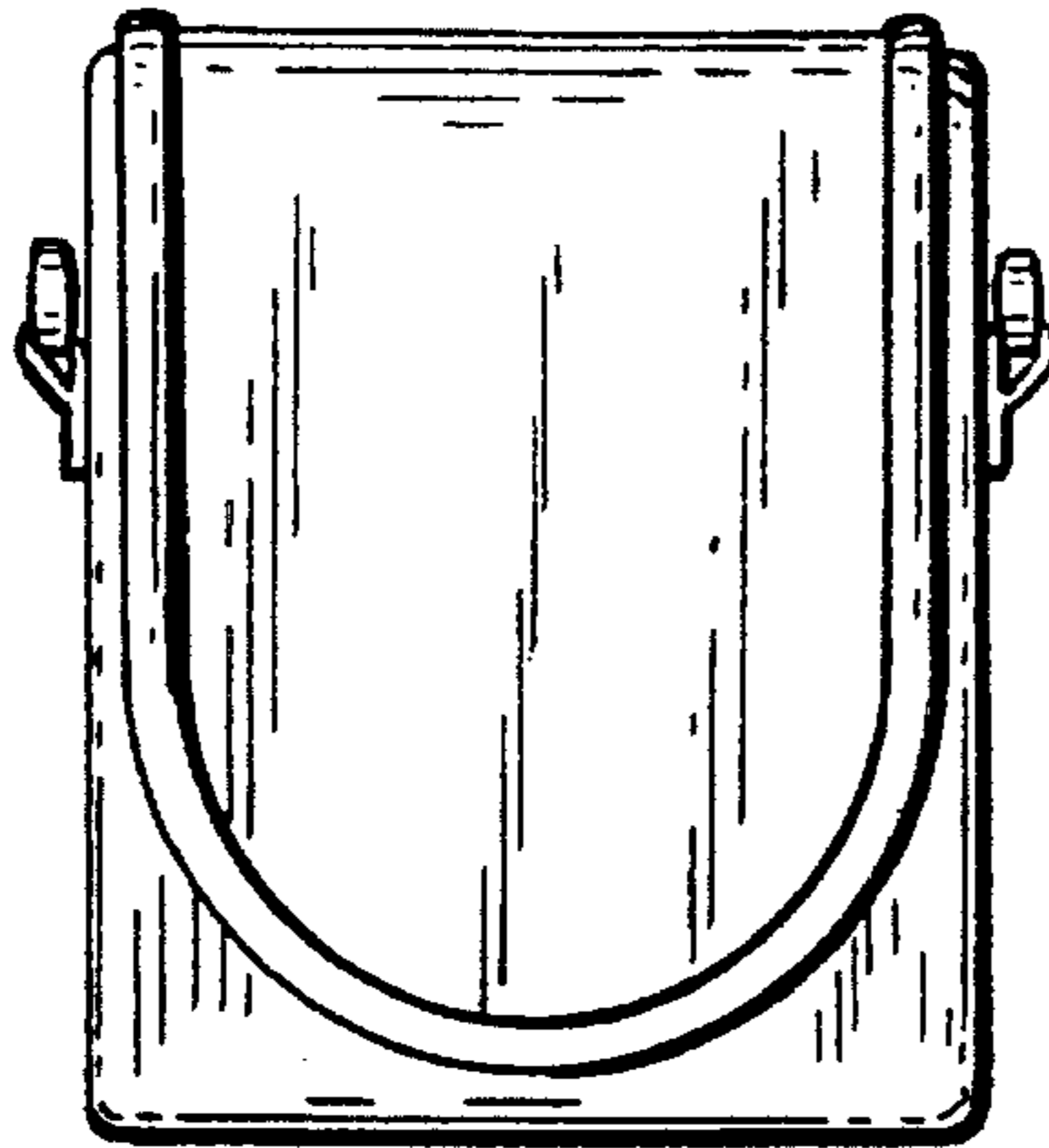


FIG. 2

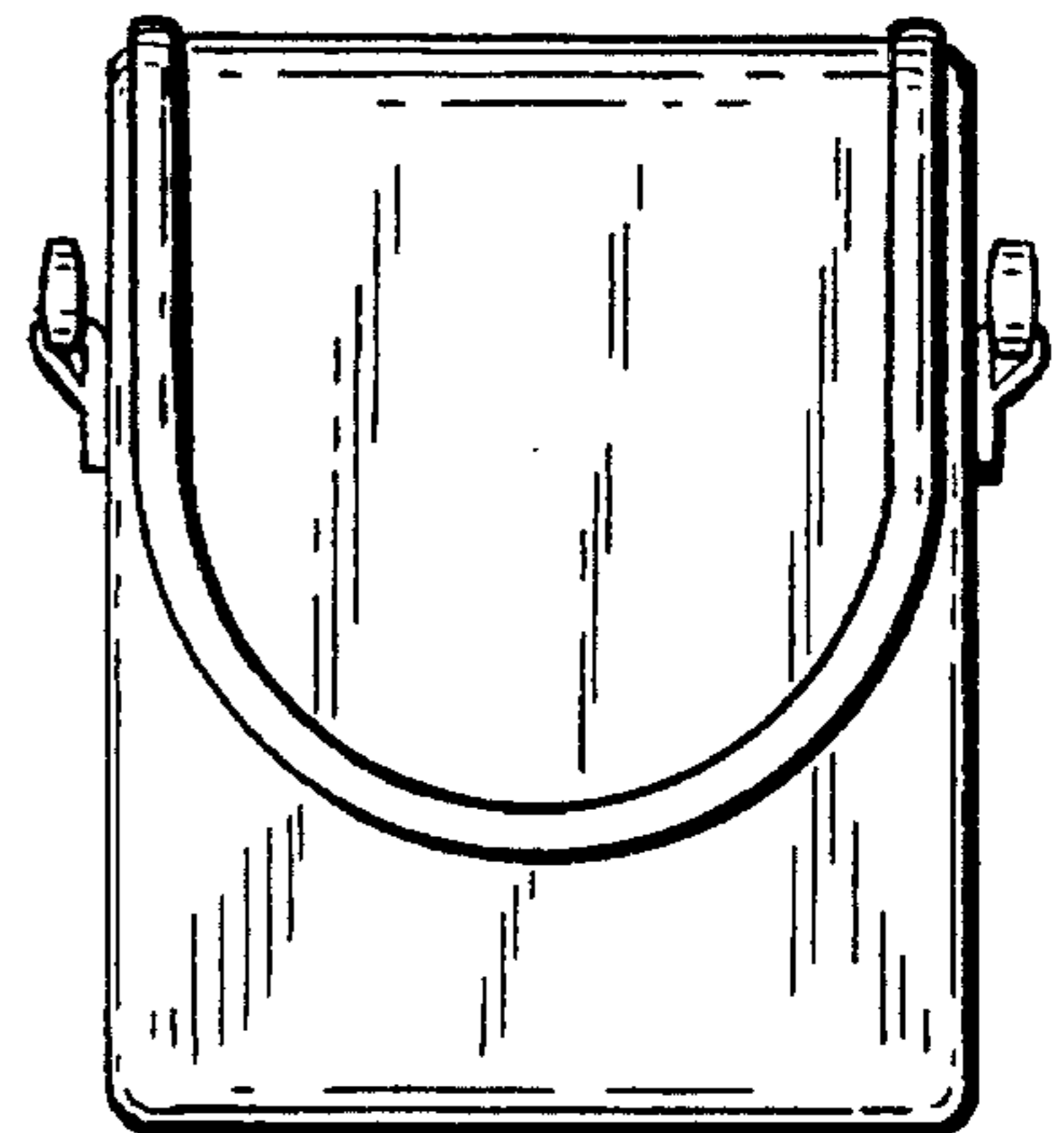


FIG. 4

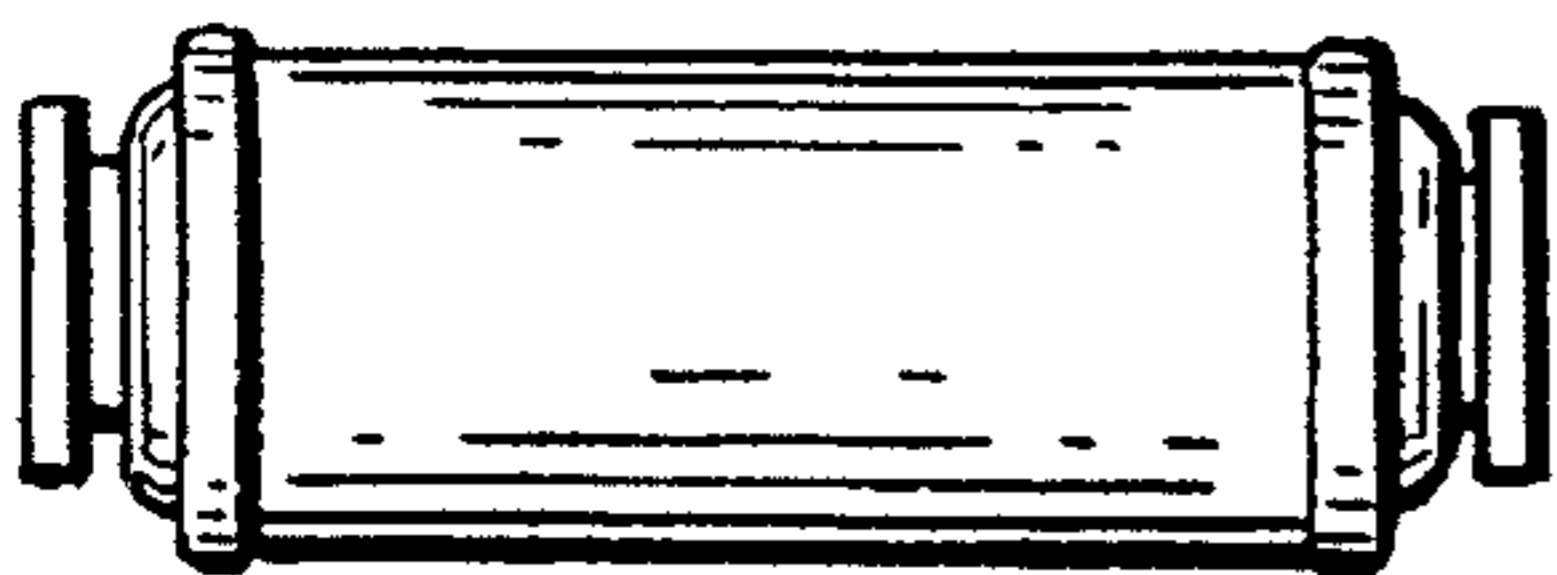


FIG. 5

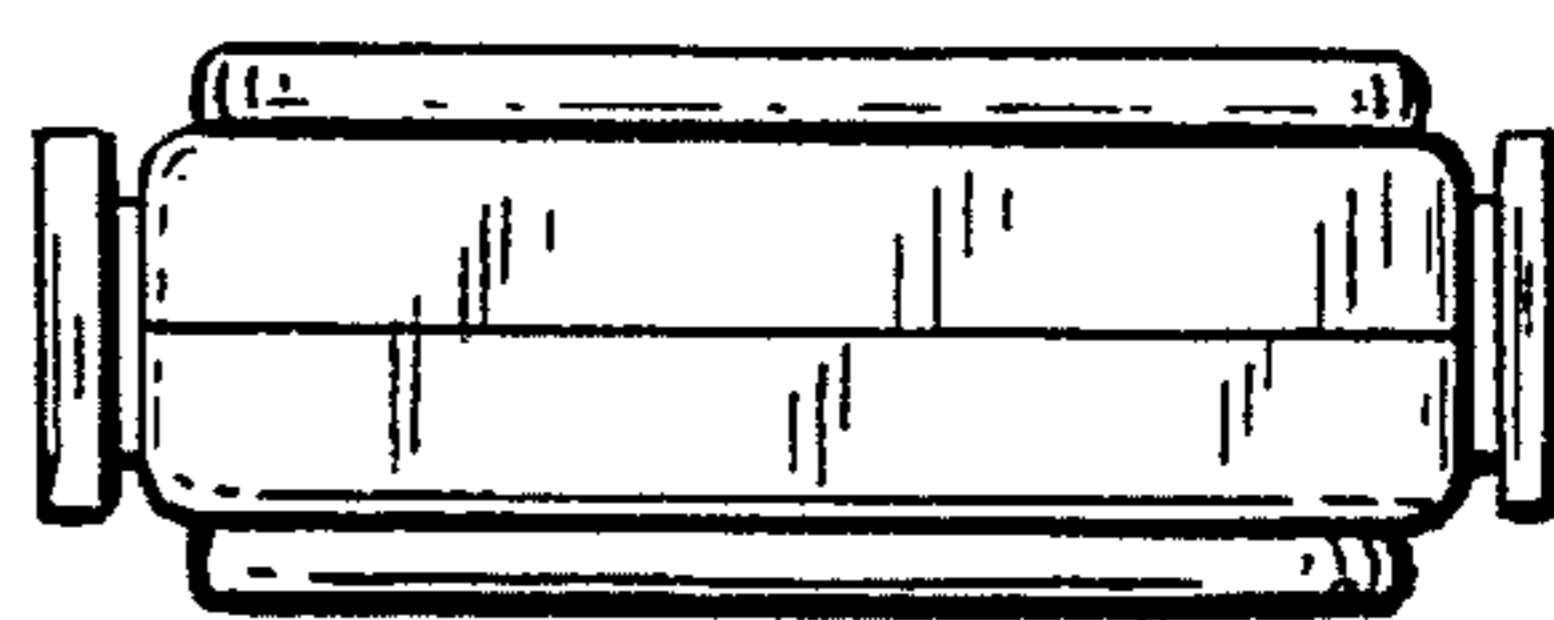


FIG. 6

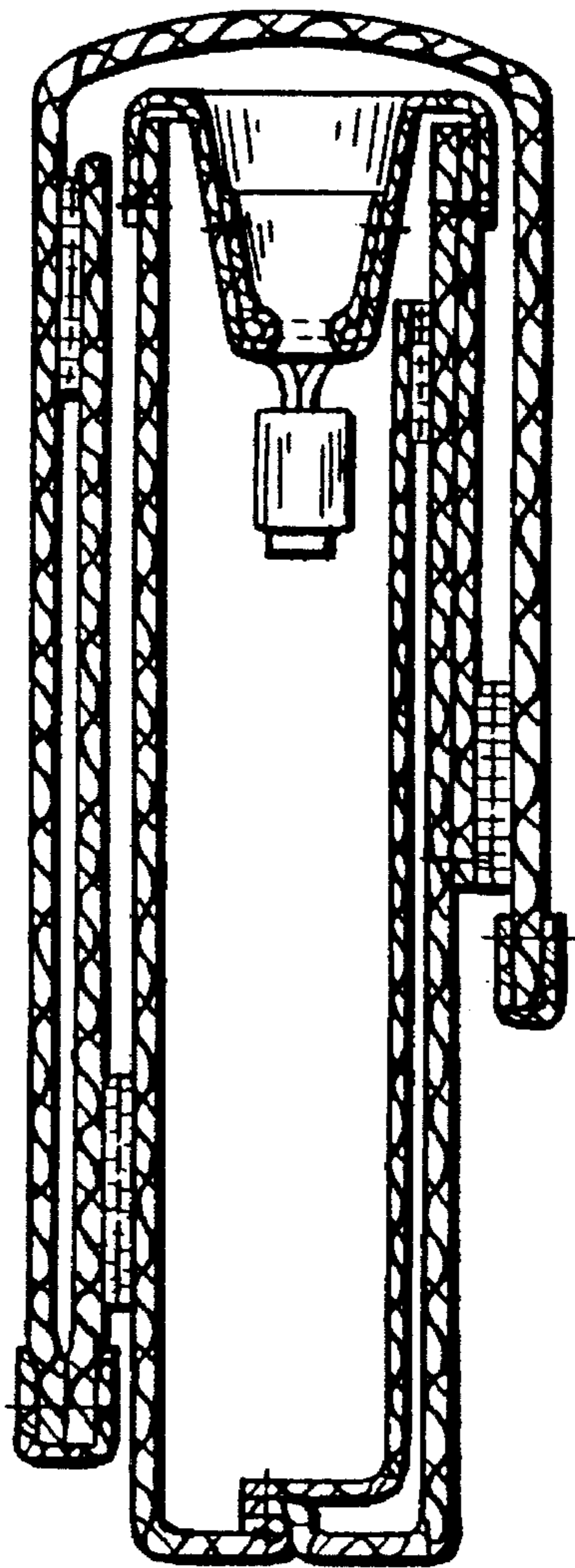


FIG. 7

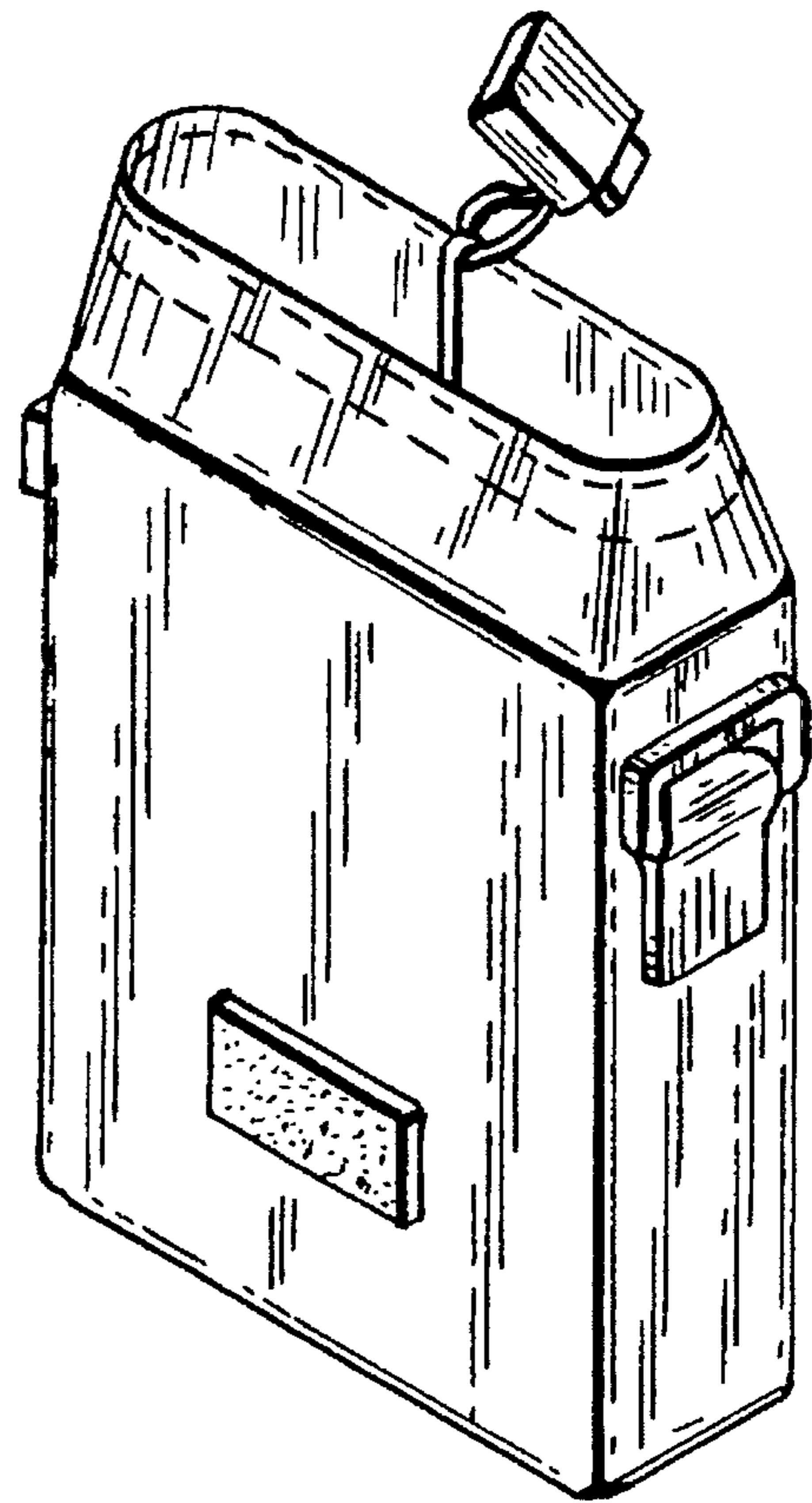


FIG. 9

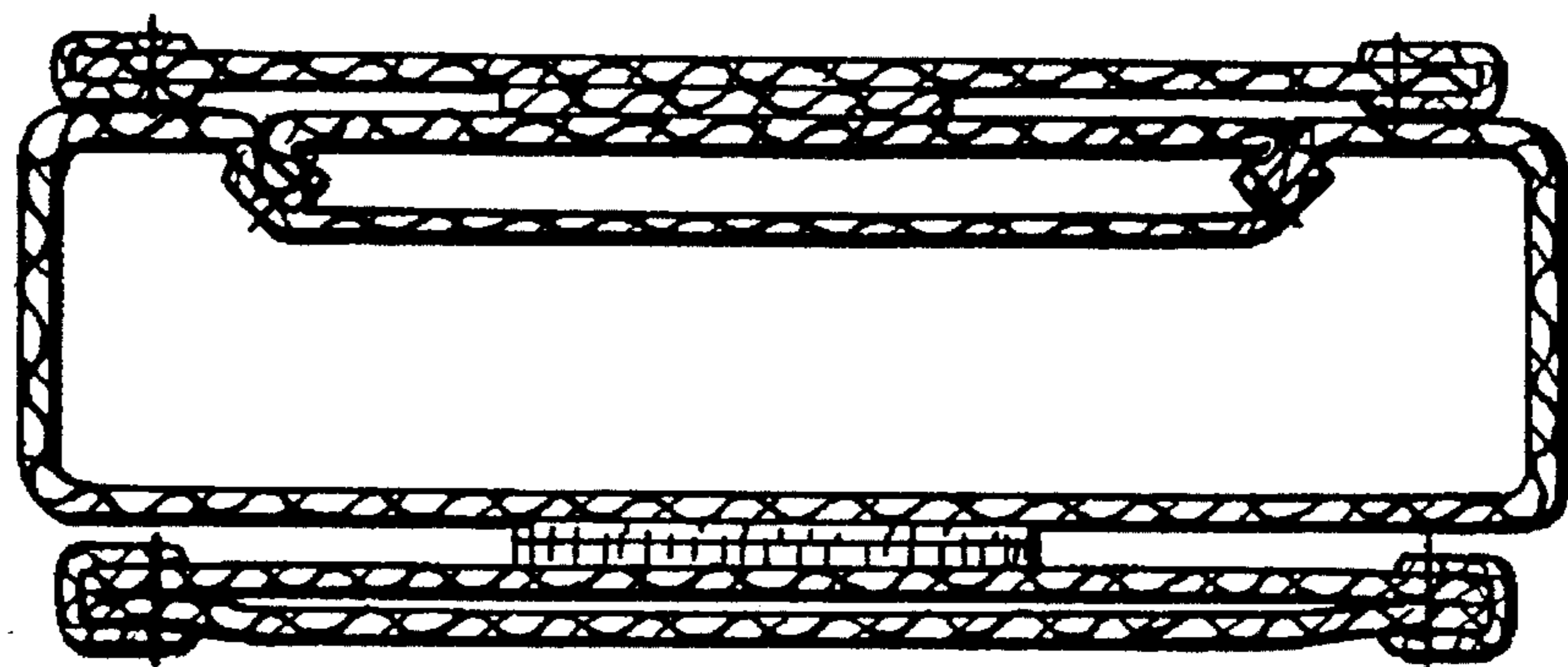


FIG. 8