



US00D368579S

United States Patent [19] Blackwell

[11] Patent Number: **Des. 368,579**

[45] Date of Patent: ****Apr. 9, 1996**

[54] **INFLATABLE SHOETREE**
[76] Inventor: **Eric V. Blackwell**, 3544 Castlebury Dr.,
Chester, Va. 23831
[**] Term: **14 Years**

434905	2/1912	France	12/114.4
521285	3/1921	France	12/114.4
261391	11/1912	Germany	12/114.4
295897	12/1916	Germany	12/114.4
11080	of 1893	United Kingdom	12/114.4

[21] Appl. No.: **20,950**
[22] Filed: **Apr. 5, 1994**
[52] U.S. Cl. **D2/979**
[58] Field of Search D2/979; 12/114.2,
12/114.4, 115.8, 114.6, 115.6

Primary Examiner—Doris V. Coles

[57] CLAIM

The ornamental design for an inflatable shoetree, as shown and described.

DESCRIPTION

FIG. 1 is a front elevational view of the inflatable shoetree, showing my new design;
FIG. 2 is a rear elevational view thereof;
FIG. 3 is a left side elevational view thereof;
FIG. 4 is a right side elevational view thereof;
FIG. 5 is a top plan view thereof; and,
FIG. 6 is a bottom plan view thereof.

[56] **References Cited**

U.S. PATENT DOCUMENTS

D. 258,699	3/1981	McPherson	D2/979
D. 346,064	4/1994	Markowitz	D2/979
550,095	11/1895	Brockwell	12/114.6
1,893,795	1/1933	Chapman	12/114.4
2,226,565	12/1940	Kristal	12/115.6
2,538,247	1/1951	Holt	12/114.4

FOREIGN PATENT DOCUMENTS

193823	3/1957	Austria	12/114.4
--------	--------	---------	----------

1 Claim, 3 Drawing Sheets

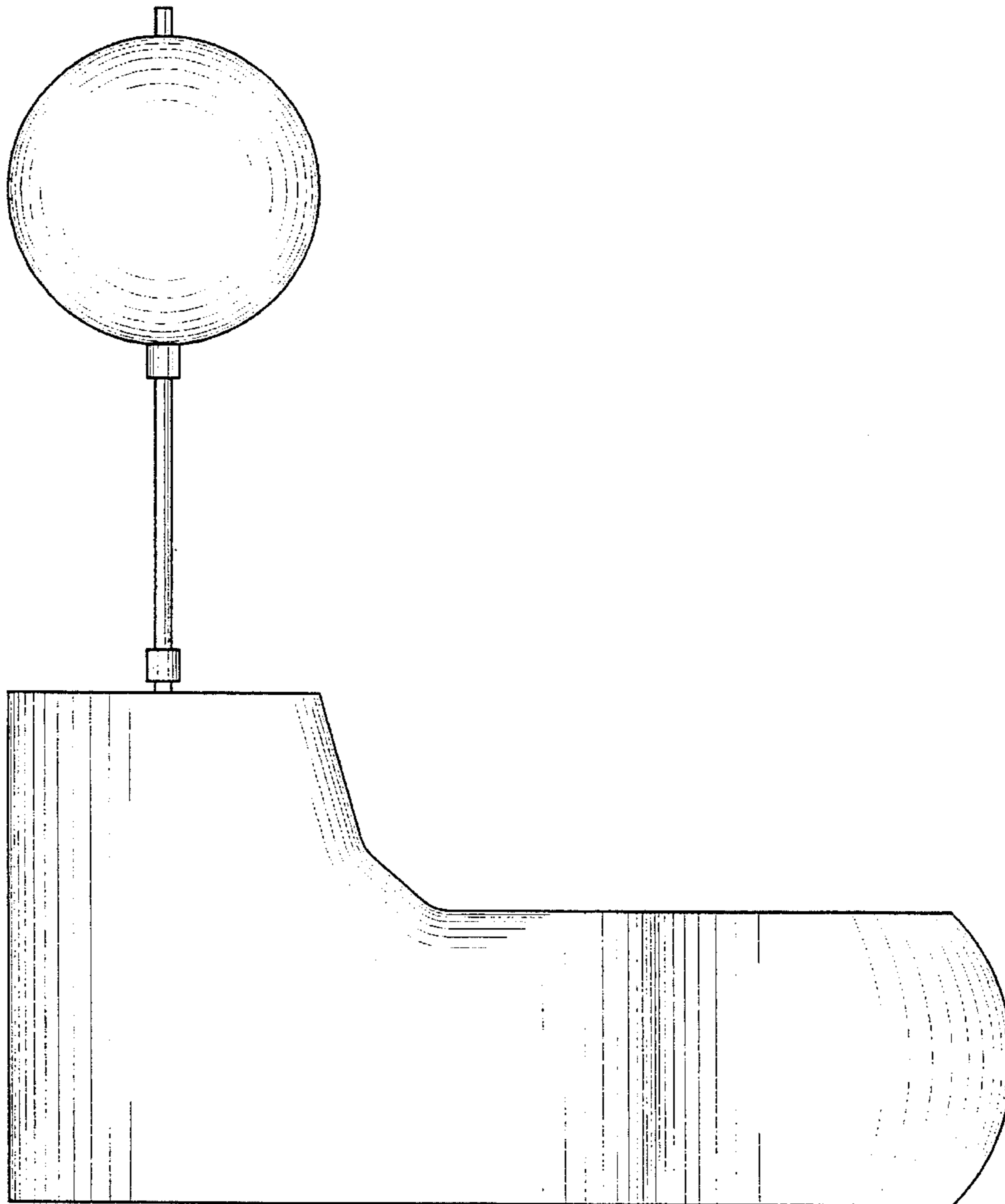


FIG. 1

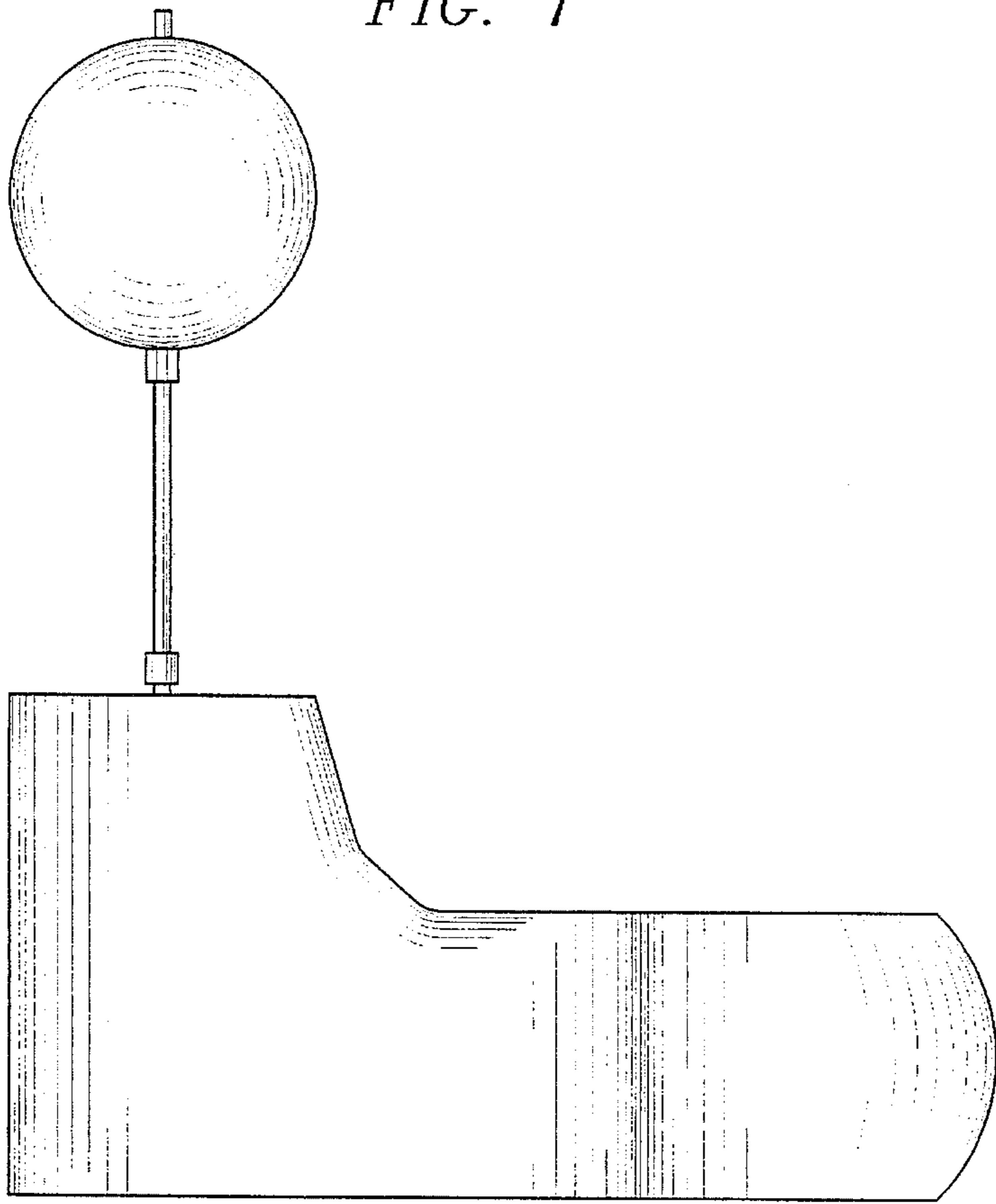


FIG. 2

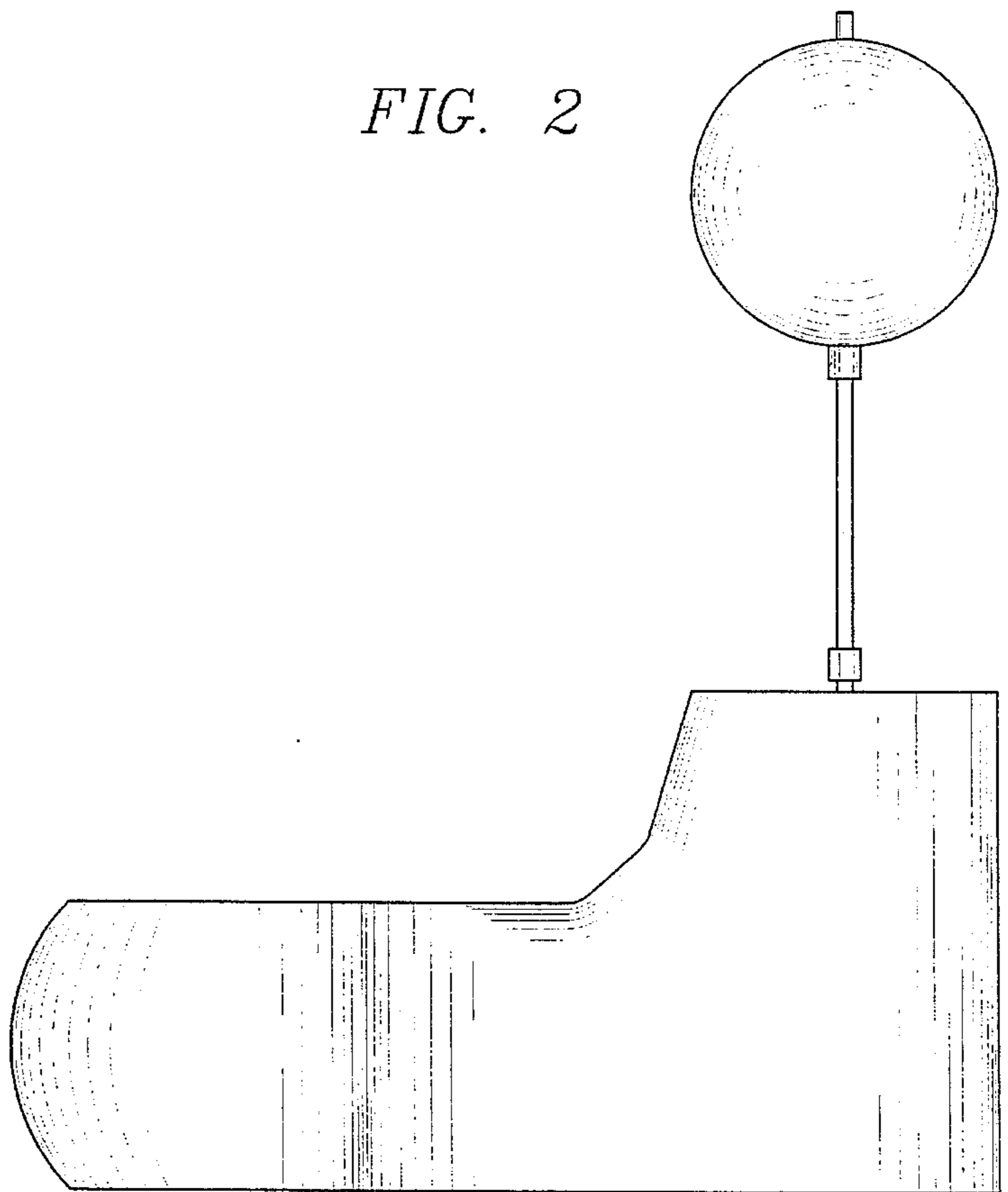


FIG. 3

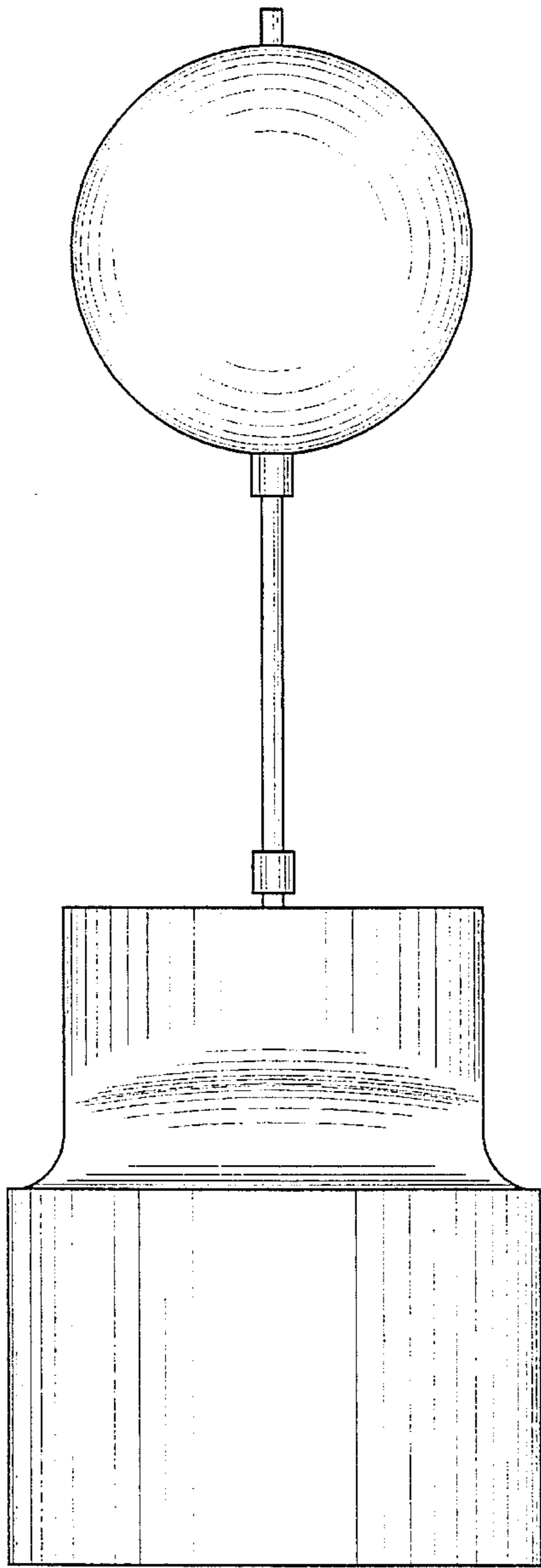


FIG. 4

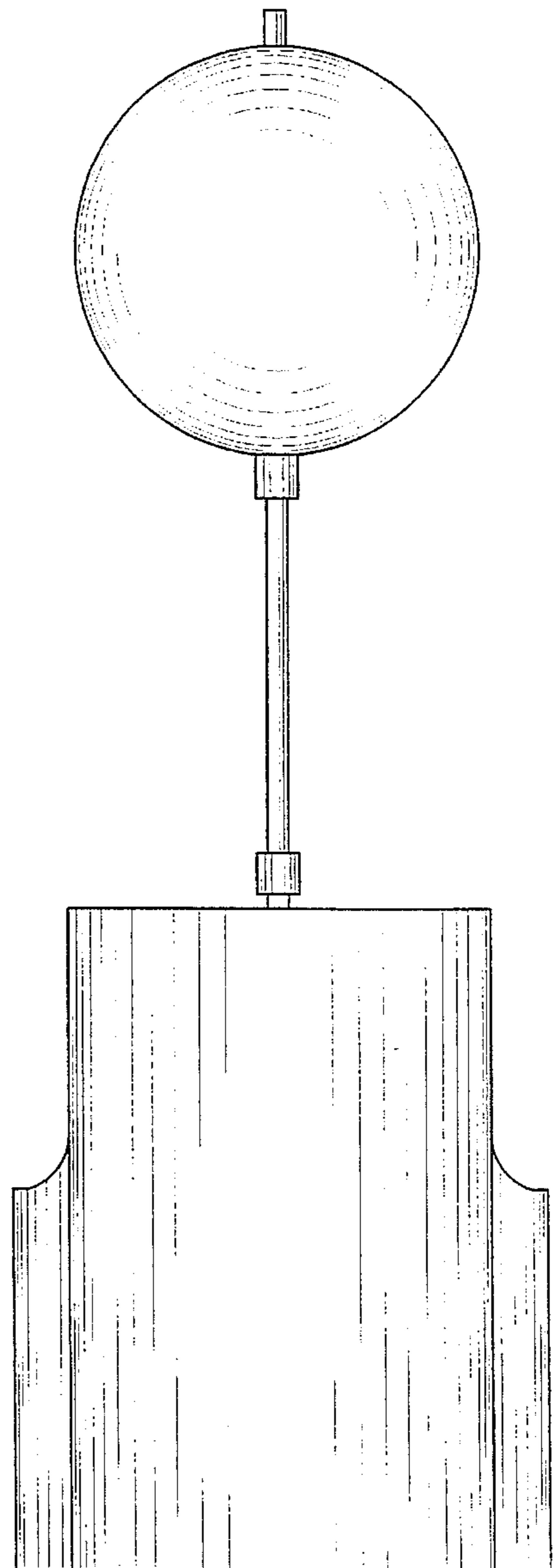


FIG. 5

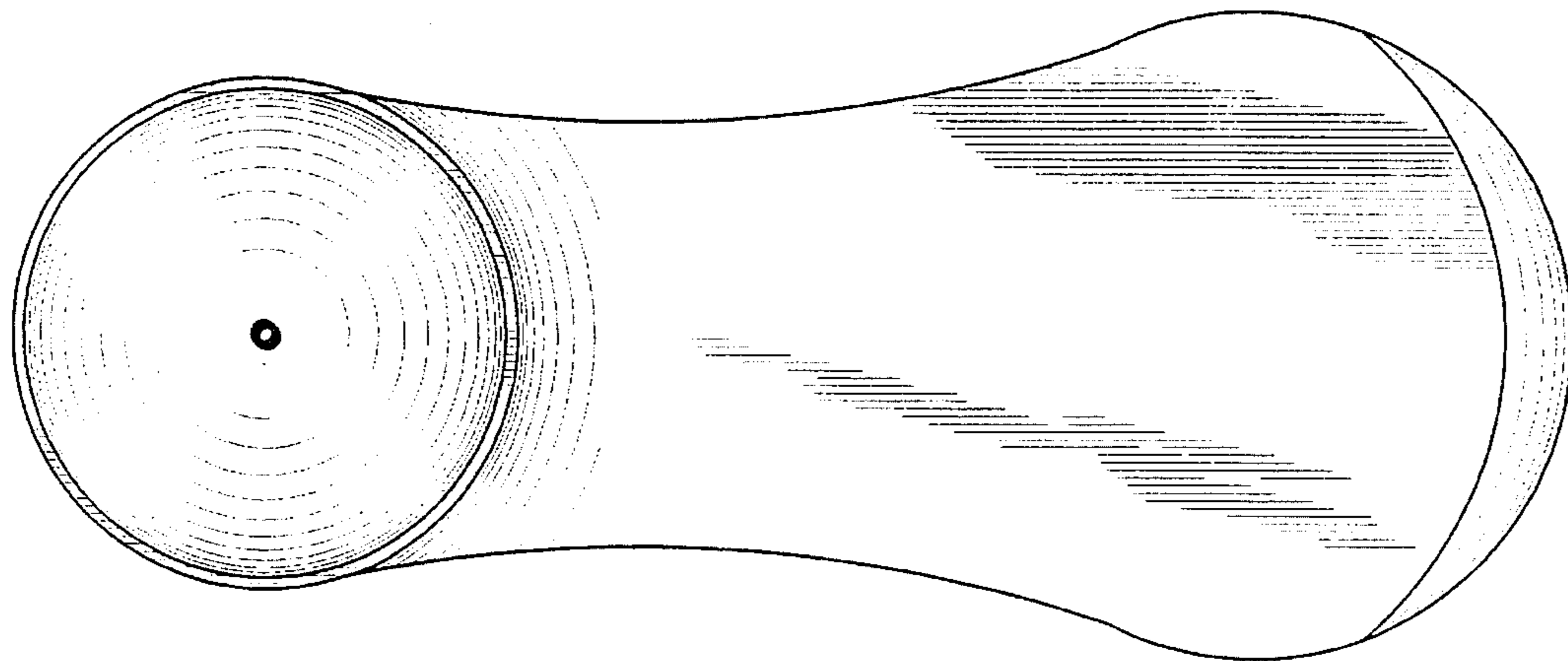


FIG. 6

