



US00D368575S

**United States Patent** [19]  
**McClain**

[11] **Patent Number:** **Des. 368,575**  
[45] **Date of Patent:** **\*\*Apr. 9, 1996**

[54] **PLATFORM SANDAL**

[76] Inventor: **Patrick R. McClain**, 3939 Synott, Apt. #828, Houston, Tex. 77082

[\*\*] Term: **14 Years**

[21] Appl. No.: **17,201**

[22] Filed: **Jan. 7, 1994**

[52] U.S. Cl. .... **D2/916**; D2/951; D2/957; D2/960

[58] Field of Search ..... D2/916, 918, 896, D2/902, 907, 917, 957; 36/11.5, 7.5

[56] **References Cited**

**U.S. PATENT DOCUMENTS**

D. 244,886	7/1977	Perser et al. ....	D2/916 X
D. 255,396	6/1980	Scheinhaus et al. ....	D2/916
D. 270,964	10/1983	Archibald ....	D2/916 X
D. 281,460	11/1985	Parker ....	D2/957
D. 316,930	5/1991	Bernasconi ....	D2/957
3,352,033	11/1967	Colley ....	36/11.5
5,228,216	7/1993	Sargeant ....	36/11.5

*Primary Examiner*—Celia Murphy  
*Assistant Examiner*—Catherine R. Oliver  
*Attorney, Agent, or Firm*—Kenneth L. Nash

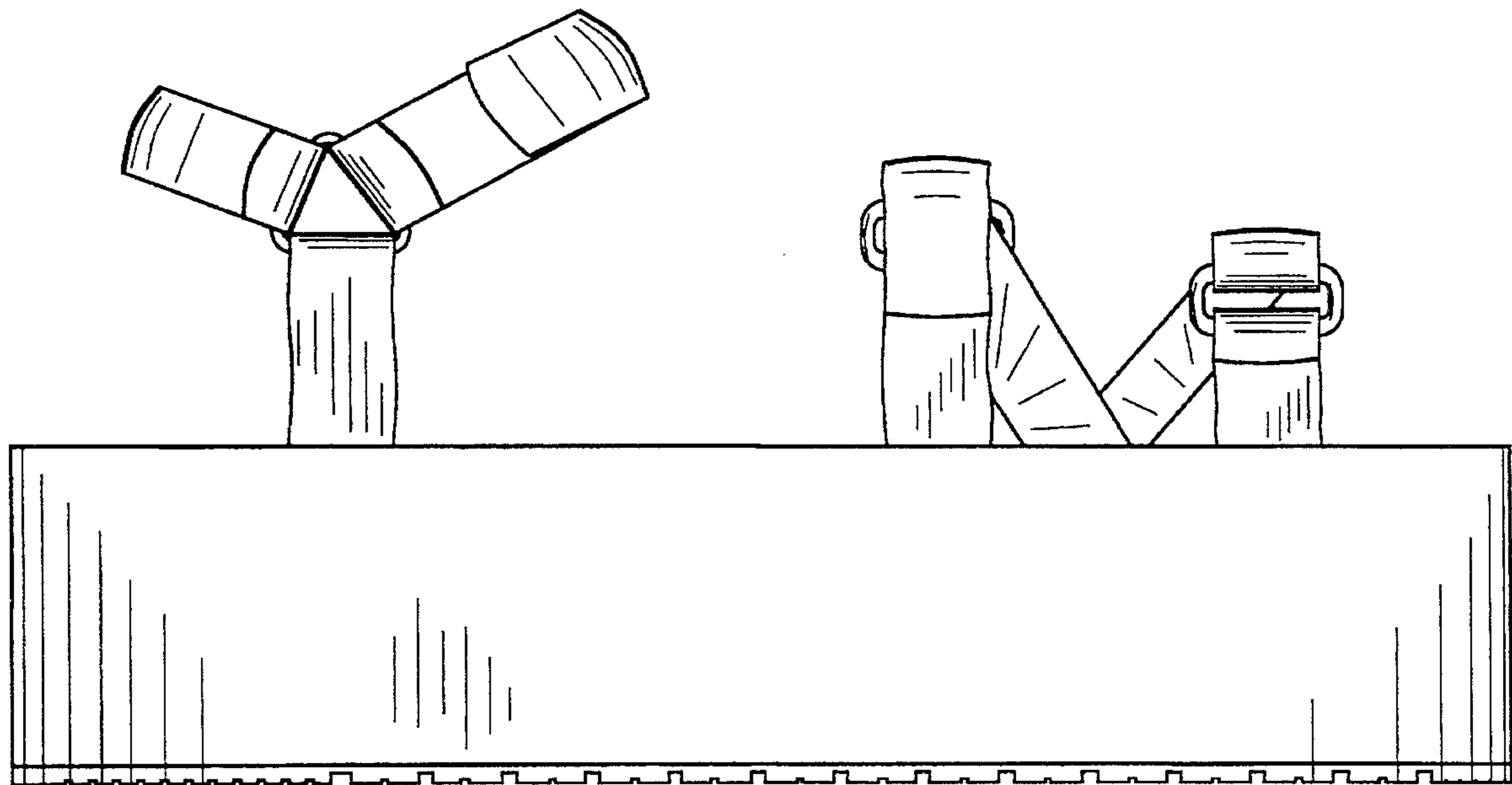
[57] **CLAIM**

The ornamental design for a platform sandal, as shown.

**DESCRIPTION**

FIG. 1 is a bottom elevational view of a platform sandal according to the present invention;  
FIG. 2 is a top elevational view of the platform sandal according to the present invention;  
FIG. 3 is a right side elevational view of the platform sandal according to the present invention;  
FIG. 4 is a rear elevational view of the platform sandal according to the present invention;  
FIG. 5 is a front elevational view of the platform sandal according to the present invention; and,  
FIG. 6 is a left side elevational view of the platform sandal according to the present invention.

**1 Claim, 2 Drawing Sheets**



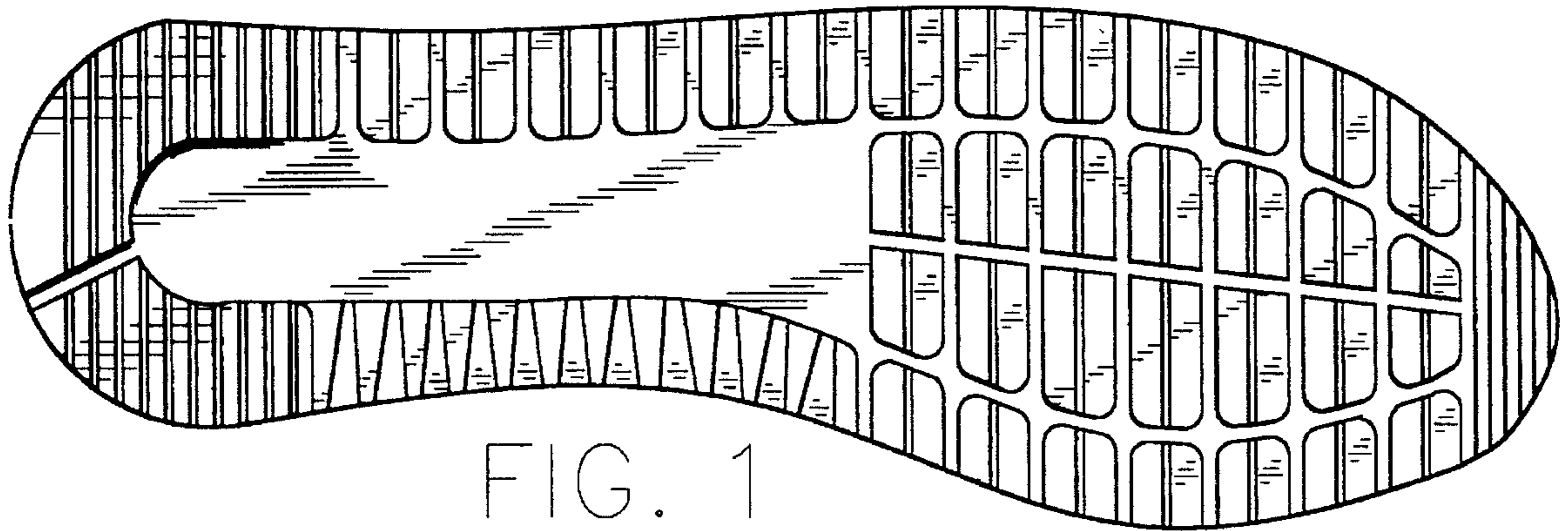


FIG. 1

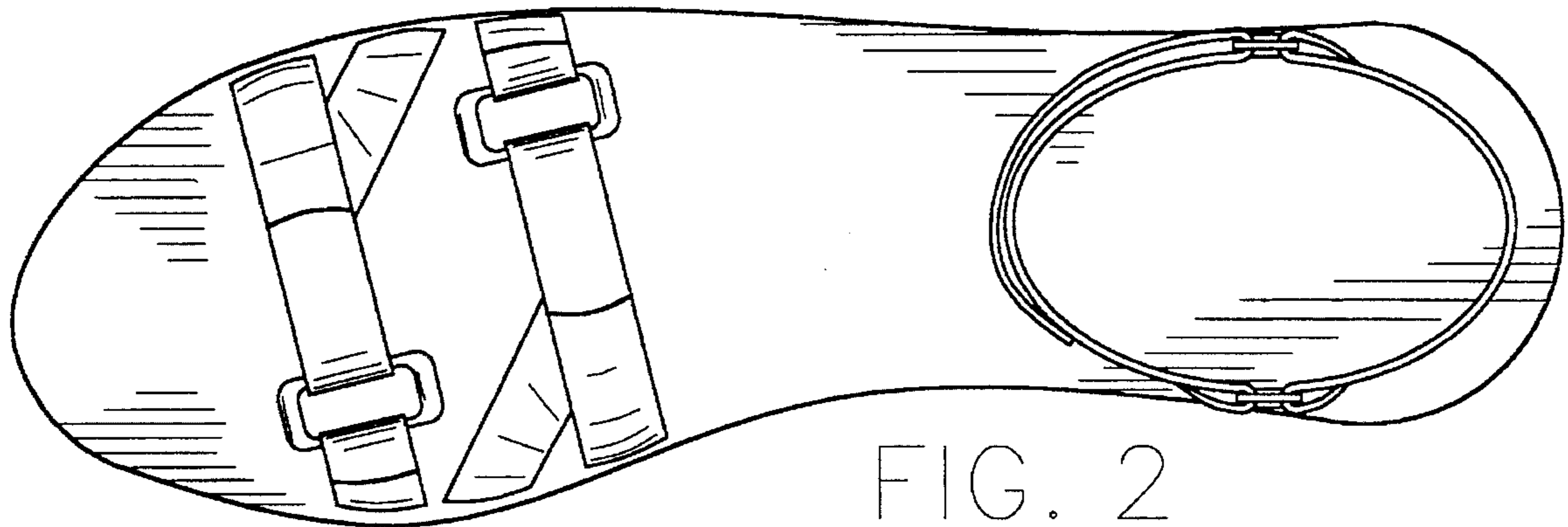


FIG. 2

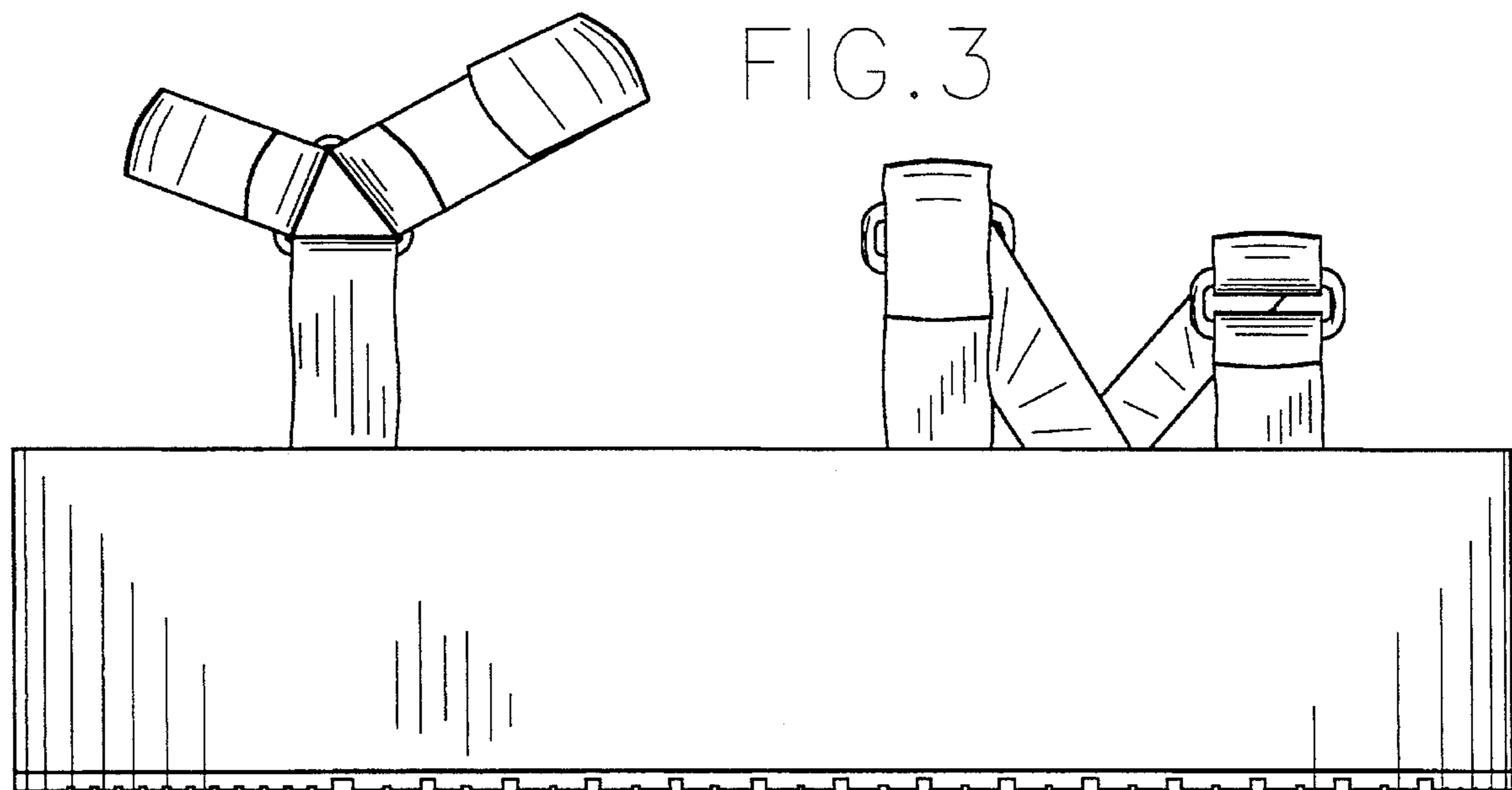


FIG. 3

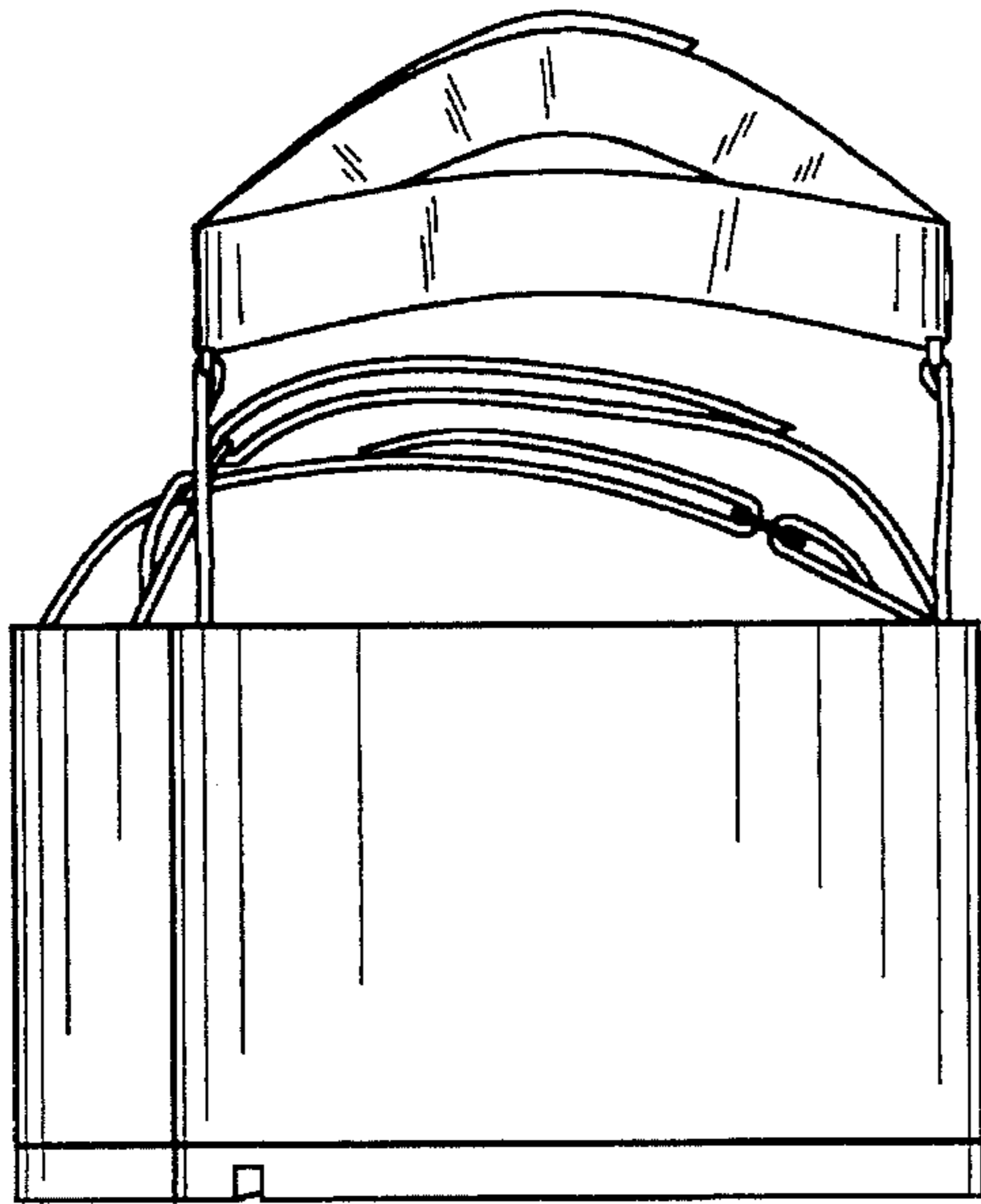


FIG. 4

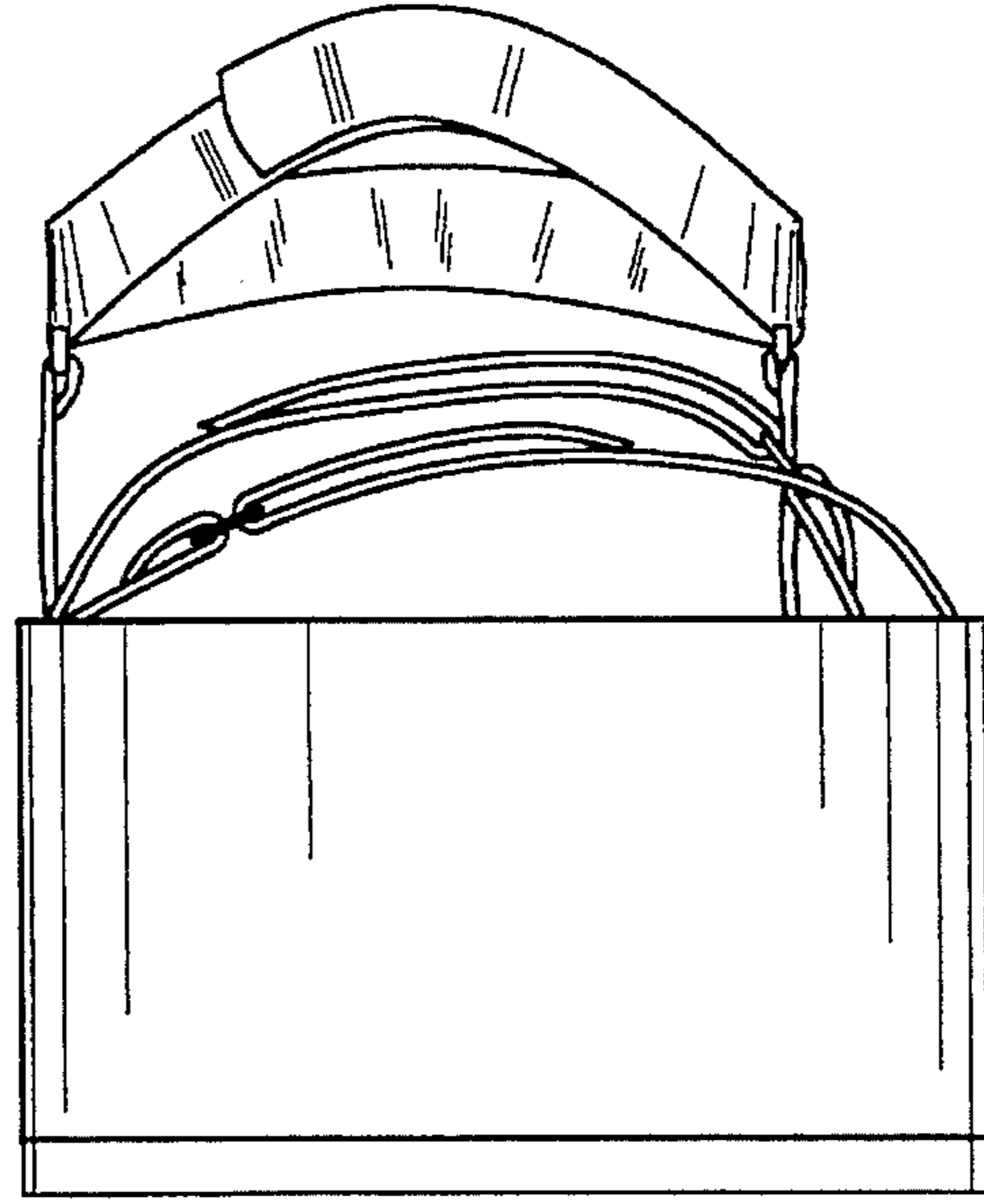


FIG. 5

FIG. 6

