



US00D368570S

United States Patent [19]

Kim et al.

[11] Patent Number: **Des. 368,570**

[45] Date of Patent: ****Apr. 2, 1996**

[54] **FORK LIFT TRUCK**

3,866,780 2/1975 Miller et al. 414/785

[75] Inventors: **Jong-Rib Kim; Whan-Chun Yoo**, both of Incheon, Rep. of Korea

Primary Examiner—A. Hugo Word
Assistant Examiner—Robin V. Taylor
Attorney, Agent, or Firm—Anderson Kill Olick & Oshinsky

[73] Assignee: **Daewoo Heavy Industries Co., Ltd.**, Incheon, Rep. of Korea

[57] **CLAIM**

[**] Term: **14 Years**

The ornamental design for a fork lift truck, as shown and described.

[21] Appl. No.: **22,923**

DESCRIPTION

[22] Filed: **May 16, 1994**

[52] U.S. Cl. **D34/34**

[58] Field of Search D34/28, 34, 37;
414/529, 572, 785, 607; 180/89.12, 89.14,
89.17

FIG. 1 is a front and right side perspective view of a fork lift truck showing our new design;
FIG. 2 is a front elevational view thereof;
FIG. 3 is a rear elevational view thereof;
FIG. 4 is a left side elevational view thereof;
FIG. 5 is a right side elevational view thereof;
FIG. 6 is a top plan view thereof; and,
FIG. 7 is a bottom plan view thereof.

[56] **References Cited**

U.S. PATENT DOCUMENTS

D. 222,614 11/1971 Brown et al. D34/37

1 Claim, 6 Drawing Sheets

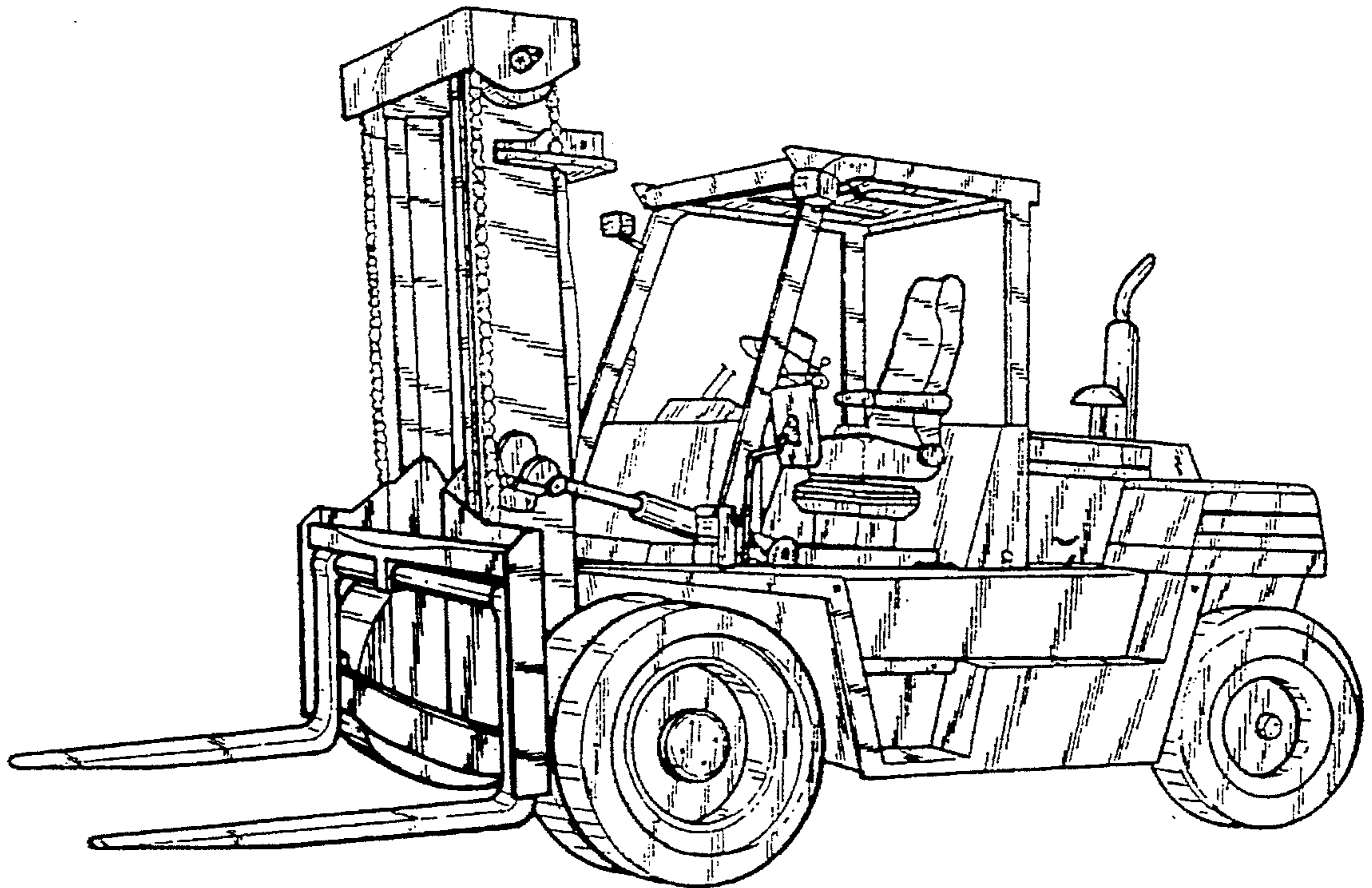


FIG. 1

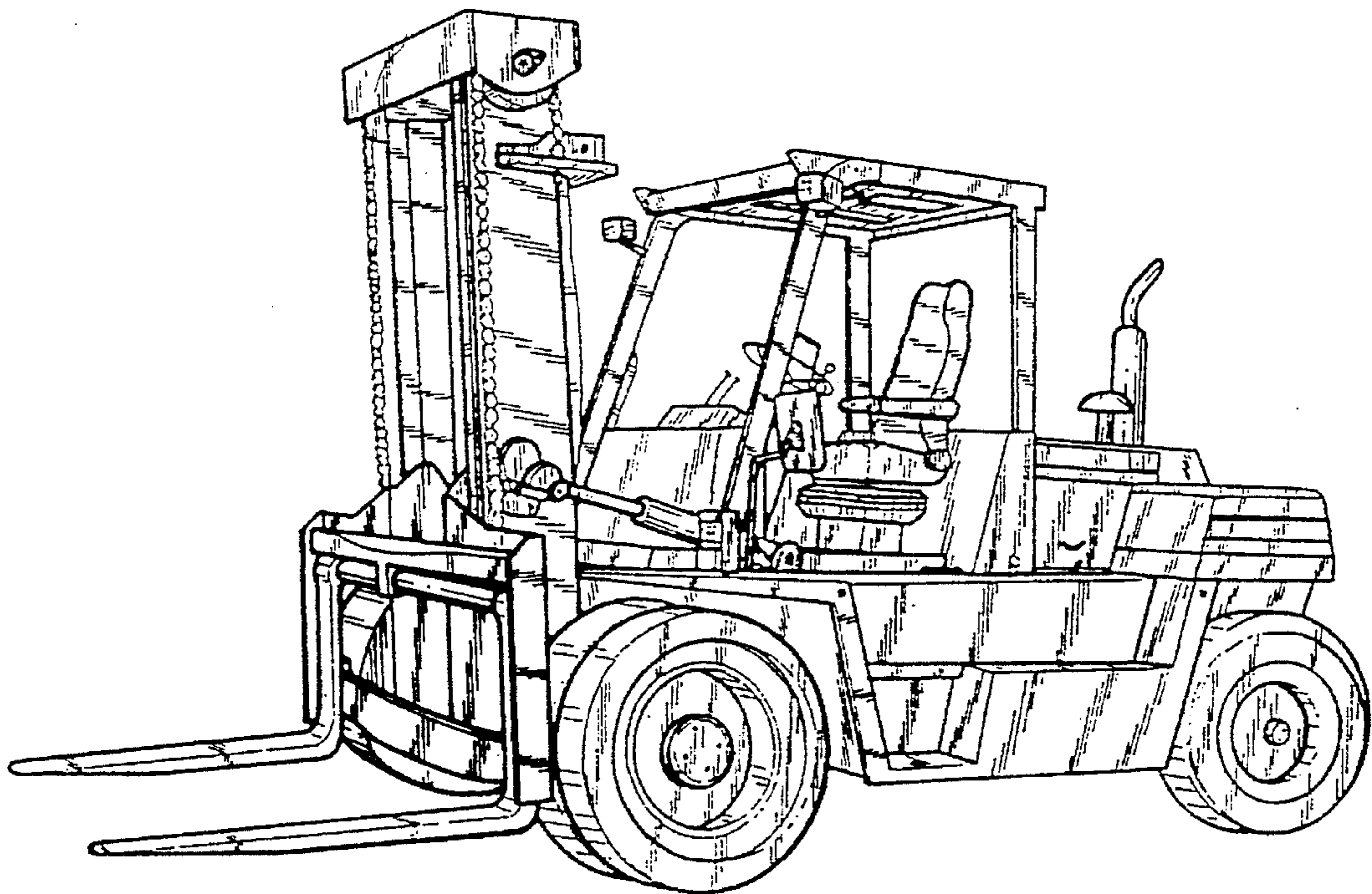


FIG. 2

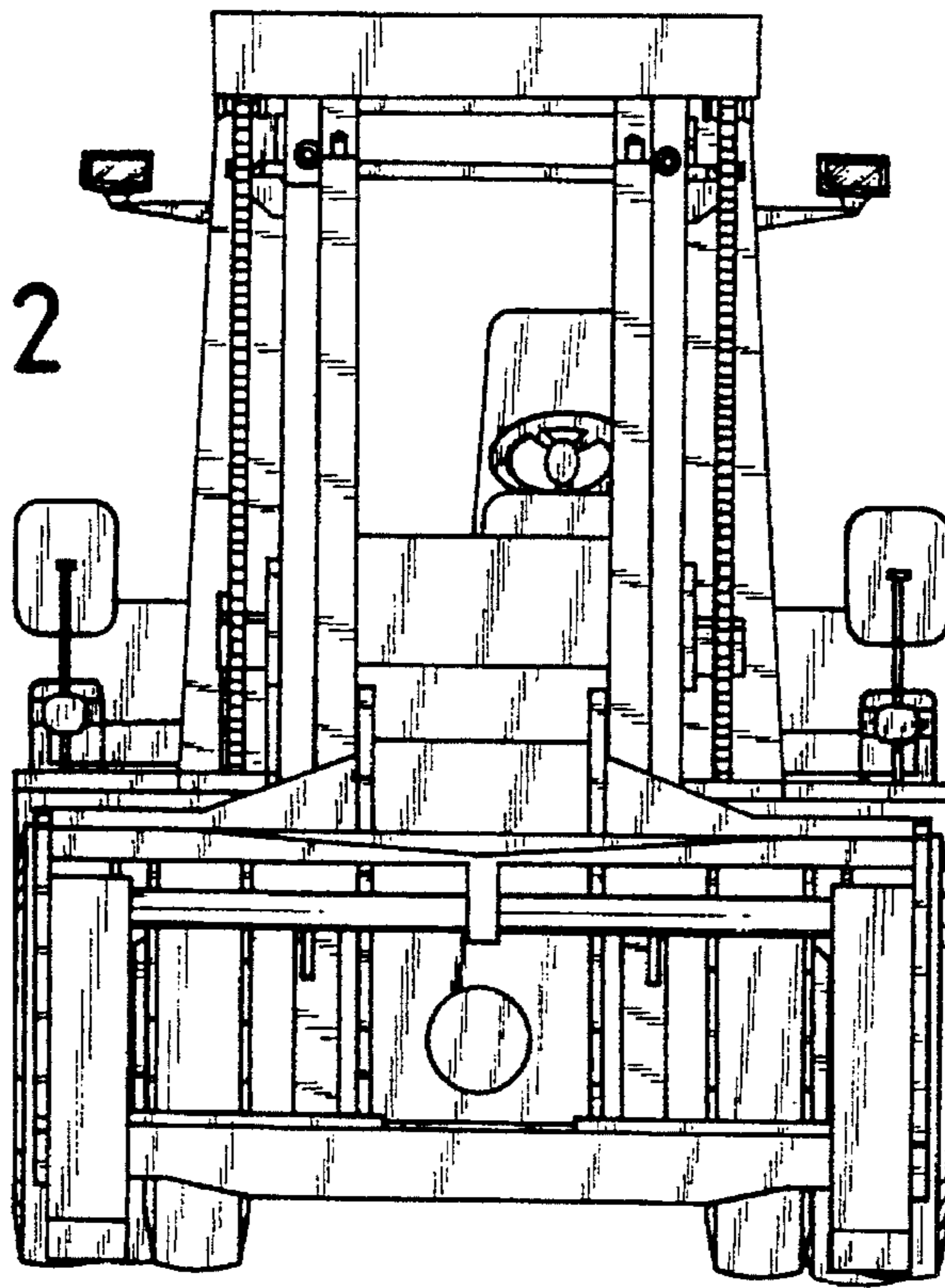


FIG. 3

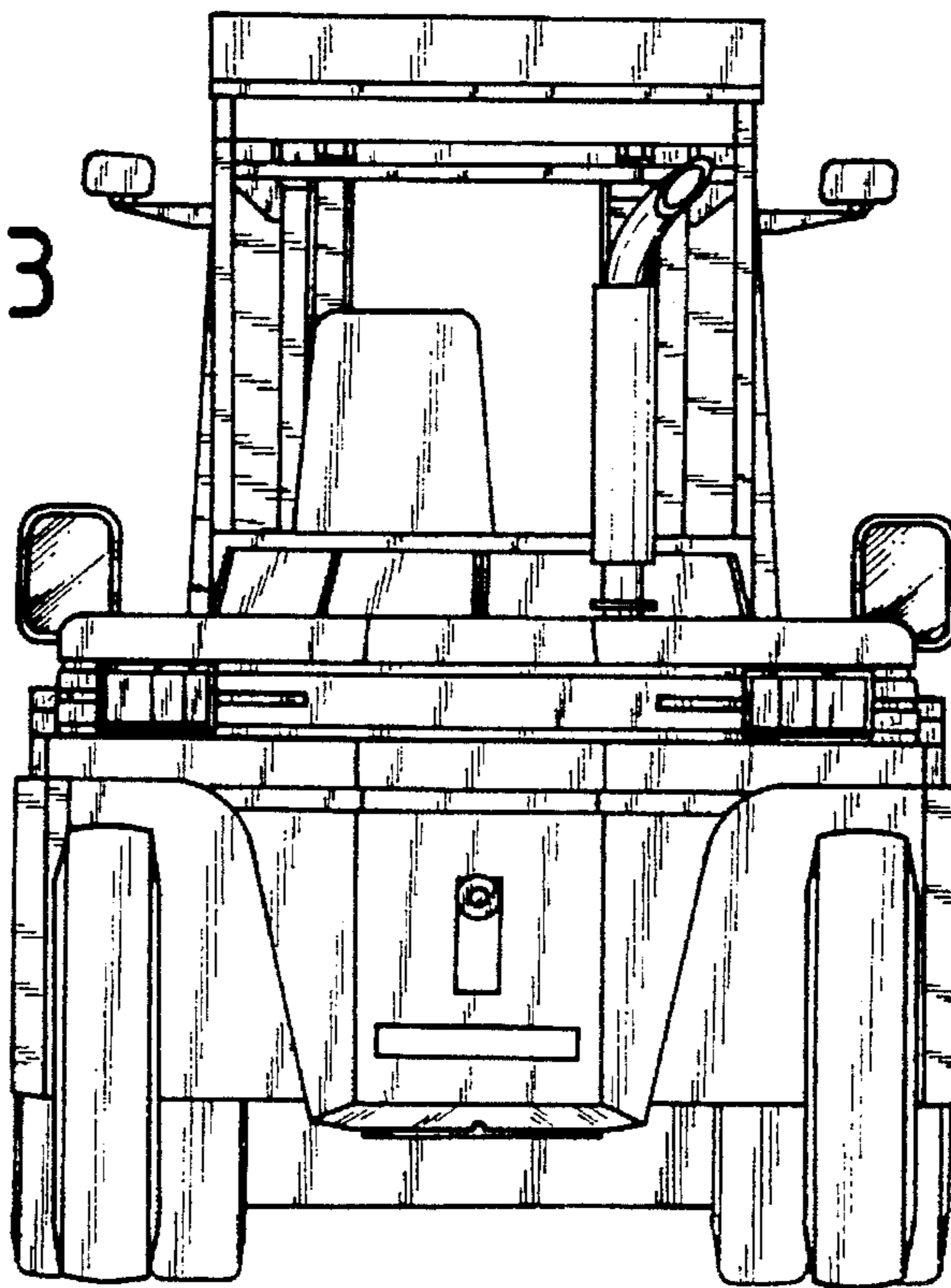


FIG. 4

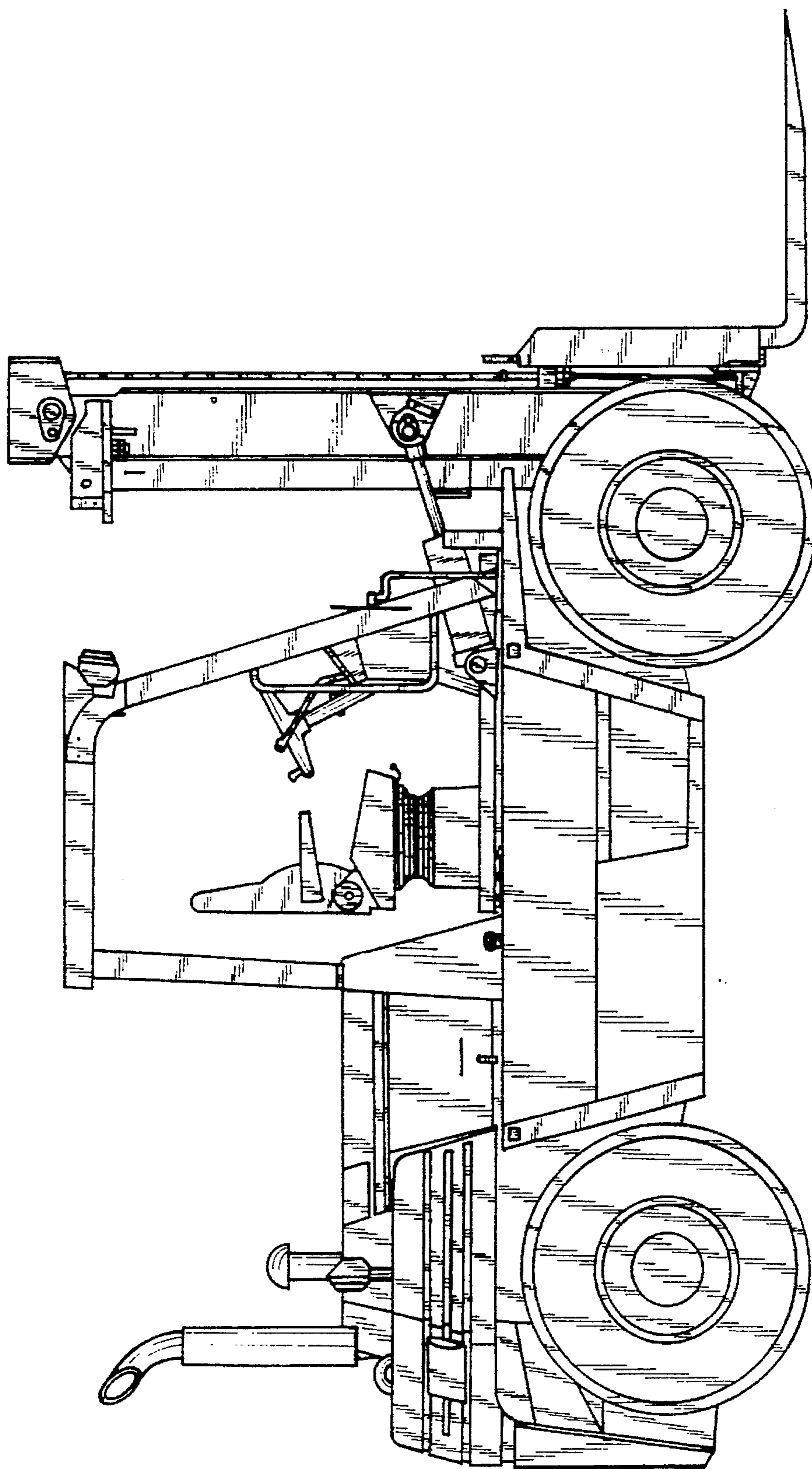


FIG. 5

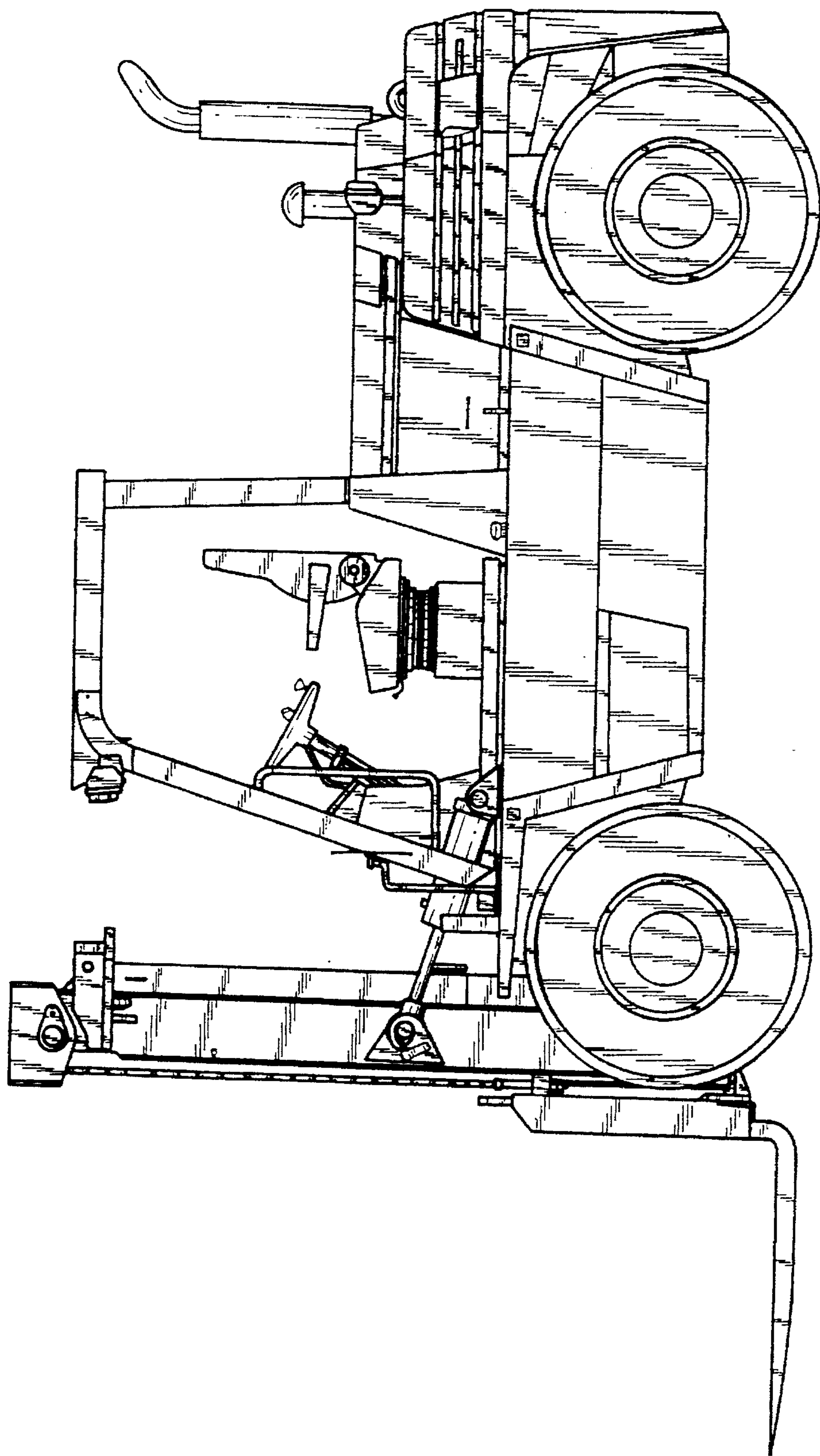


FIG. 6

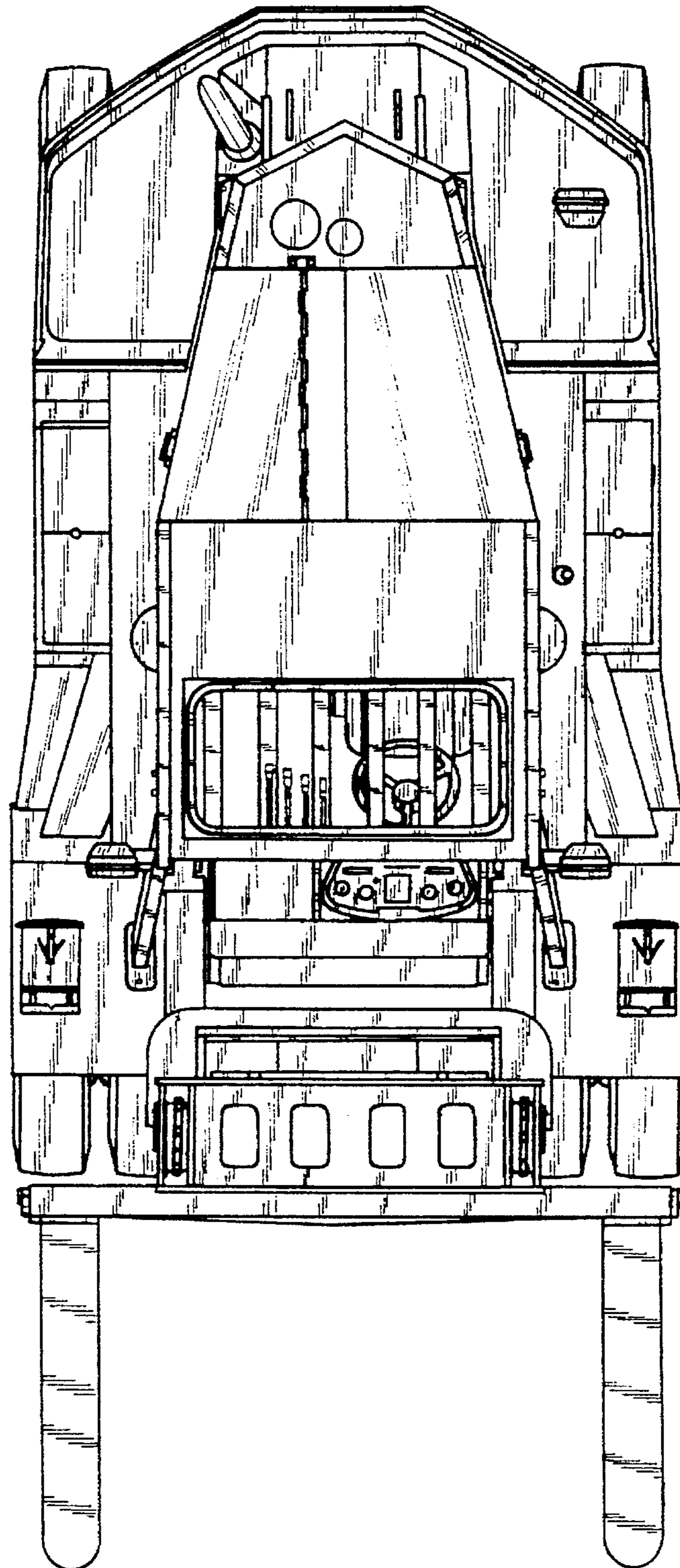


FIG. 7

