



US00D368569S

United States Patent [19]

[11] Patent Number: **Des. 368,569**

Winslow et al.

[45] Date of Patent: ****Apr. 2, 1996**

[54] **MOBILE HOME SUPPORT STANCHION WITH BASE**

3,713,259	1/1973	Tkach	248/352
3,830,024	8/1974	Warnke	52/146
4,348,843	9/1982	Cairns et al.	52/DIG. 11
4,684,097	8/1987	Cox	248/357
5,152,108	10/1992	Madl	52/DIG. 11
5,363,610	11/1994	Thomas et al.	52/DIG. 11

[75] Inventors: **Peter J. Winslow**, Paso Robles; **Glenn F. Thole**, Midpines, both of Calif.

[73] Assignee: **American Pre-Cast**, Paso Robles, Calif.

Primary Examiner—A. Hugo Word
Assistant Examiner—Robin V. Taylor
Attorney, Agent, or Firm—Daniel C. McKown

[**] Term: **14 Years**

[57] CLAIM

[21] Appl. No.: **35,878**

The ornamental design for a mobile home support stanchion with base, as shown and described.

[22] Filed: **Mar. 8, 1995**

Related U.S. Application Data

DESCRIPTION

[63] Continuation-in-part of Ser. No. 19,870, Mar. 11, 1994, Pat. No. Des. 356,416.

[52] U.S. Cl. **D34/31**

[58] Field of Search D34/28, 31; D12/101, D12/106, 120; 52/146, DIG. 11; 248/218.4, 219.2, 354.1, 354.3; 254/45, 418, 419, 420

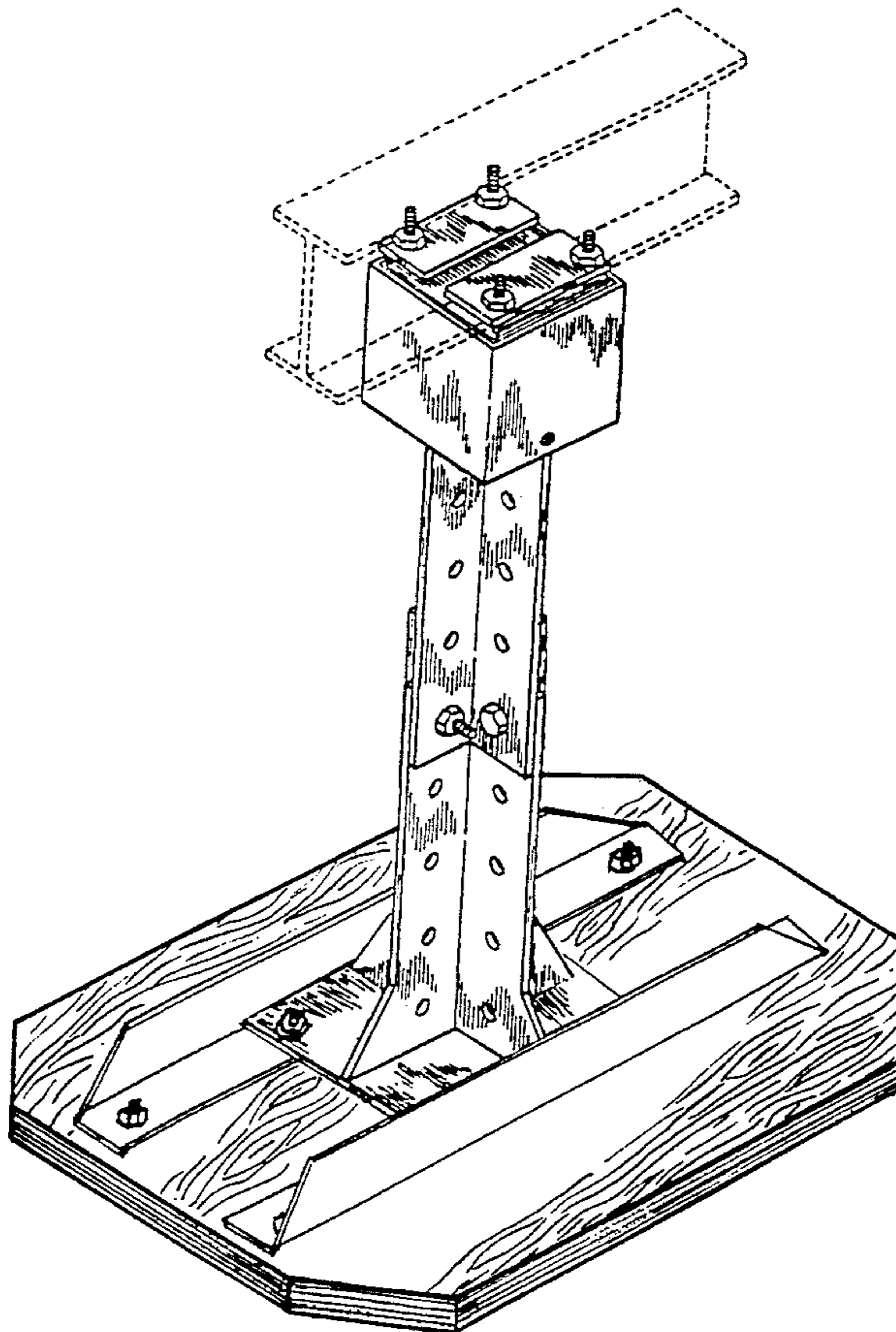
FIG. 1 is a top plan view of a mobile home support stanchion with base showing our new design; FIG. 2 is a front elevational view thereof; FIG. 3 is a bottom plan view thereof; FIG. 4 is a left side elevational view thereof; and, FIG. 5 is a top right rear perspective view thereof. The rear elevational view is a mirror image of the front elevational view. The right side elevational view is a mirror image of the left side elevational view. The broken line showing of a beam is for illustrative purposes only and forms no part of the claimed design.

[56] References Cited

U.S. PATENT DOCUMENTS

D. 343,491	1/1994	Cusimano	D34/31
2,895,696	7/1959	Mergenthaler	248/188.1

1 Claim, 3 Drawing Sheets



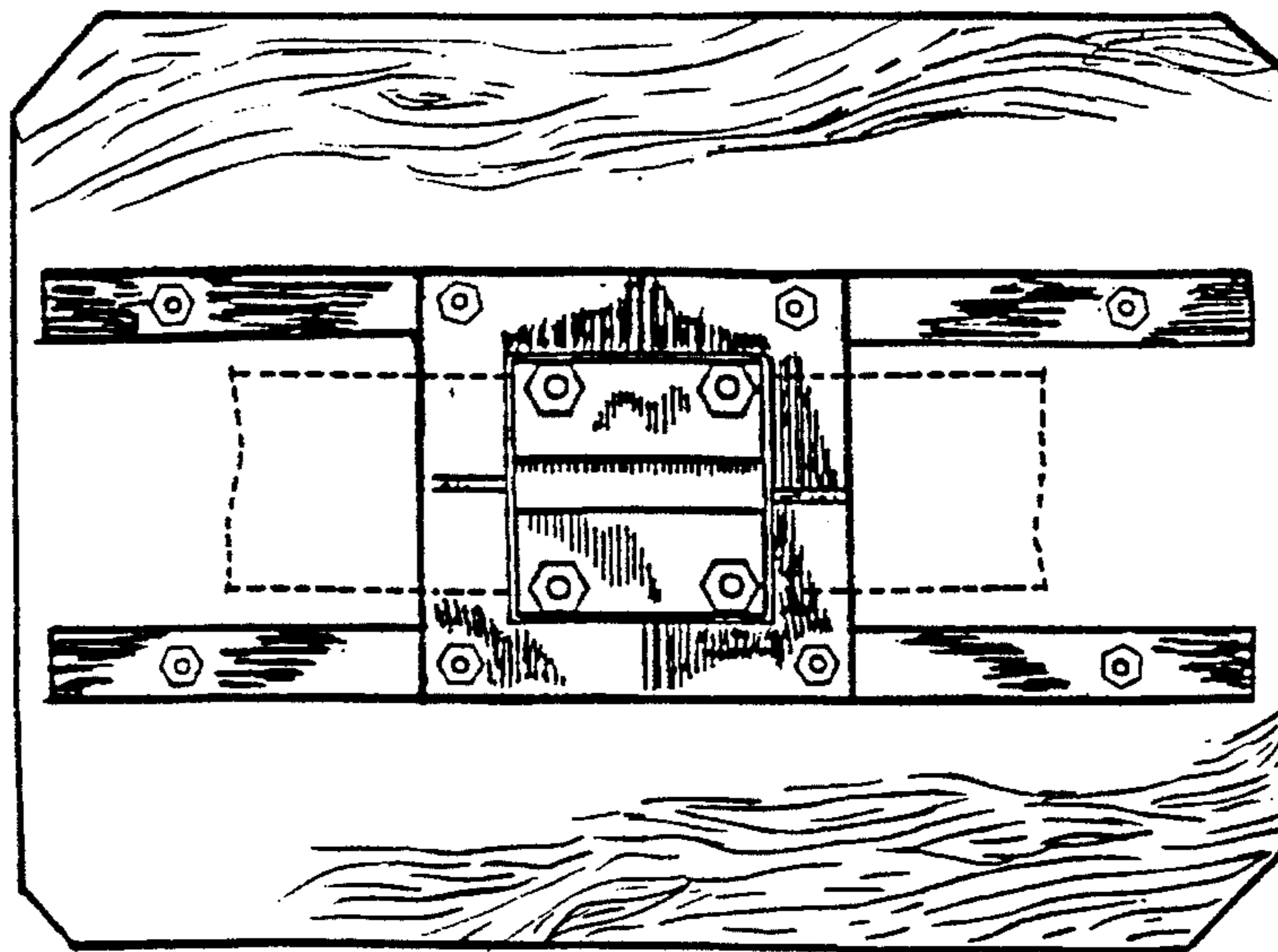


Fig. 1

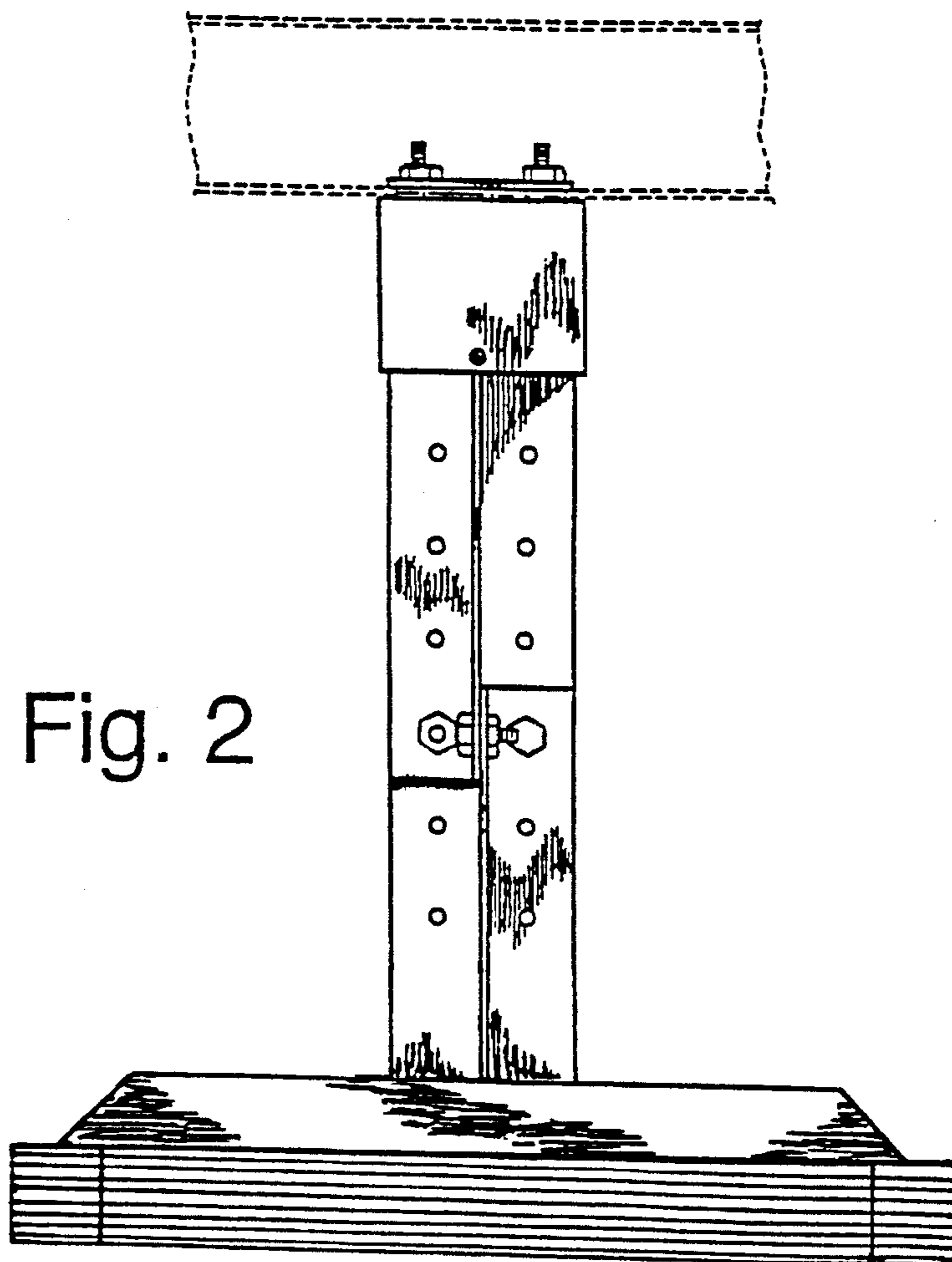


Fig. 2

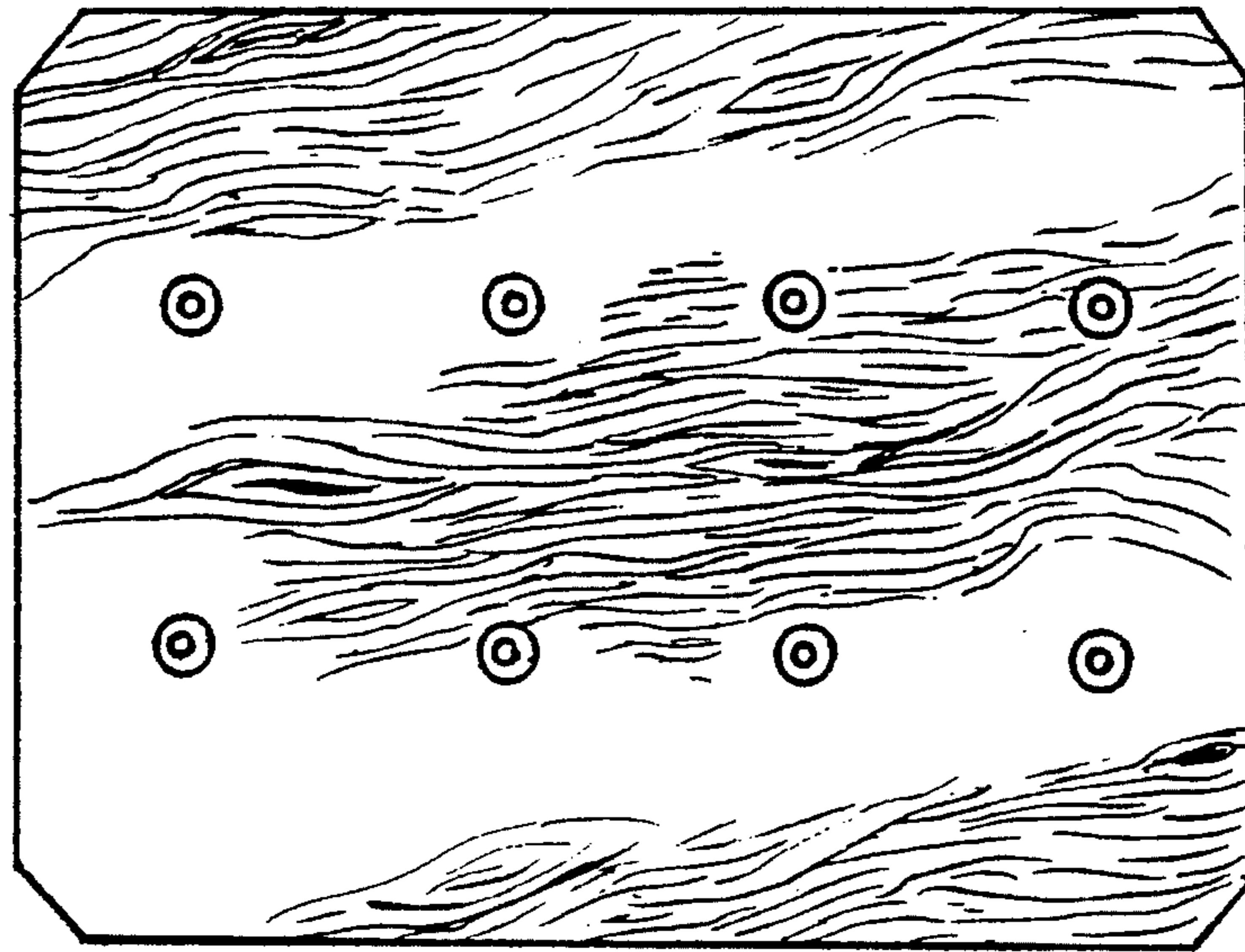


Fig. 3

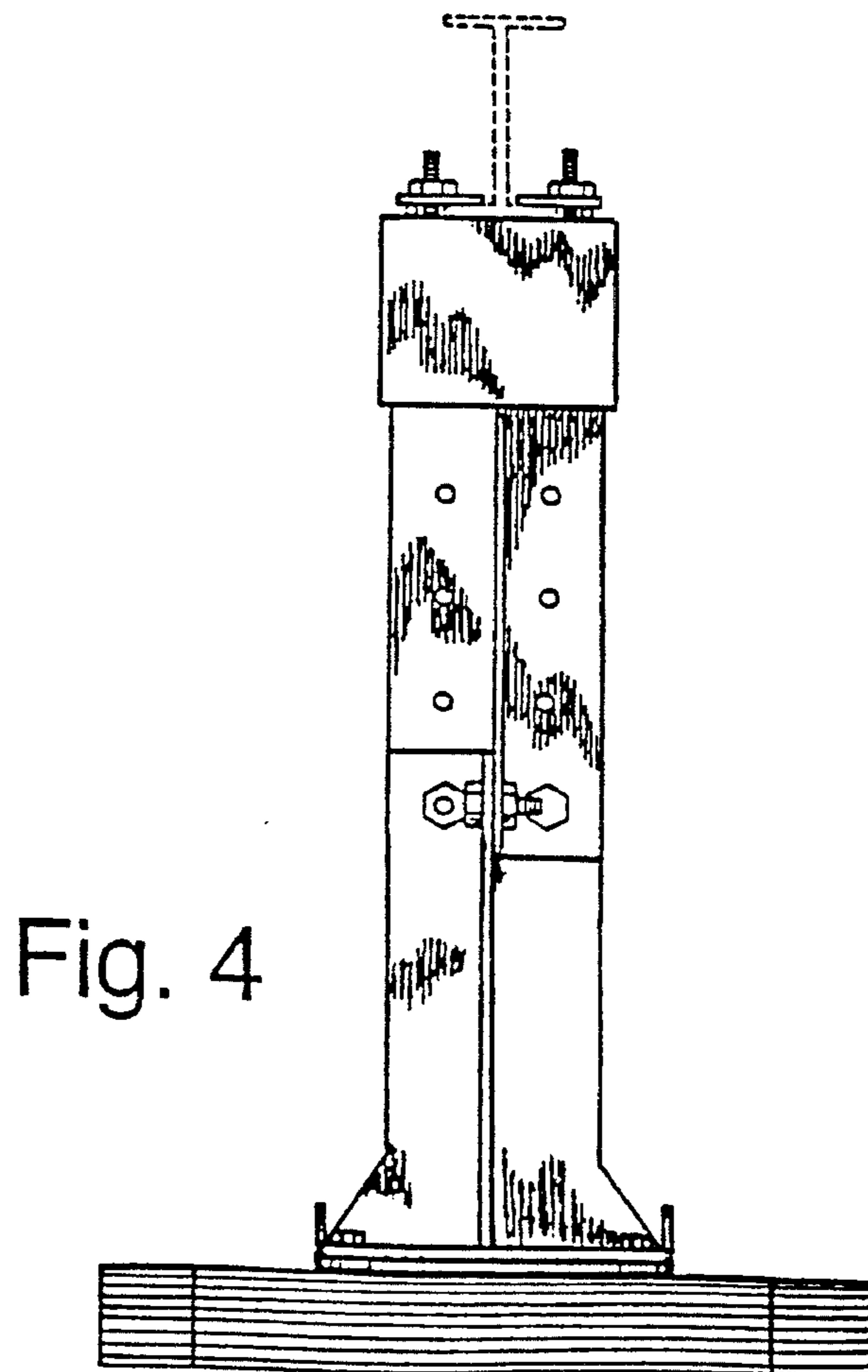


Fig. 4

Fig. 5

