



US00D368566S

# United States Patent [19]

[11] Patent Number: **Des. 368,566**

Glaeser

[45] Date of Patent: **\*\*Apr. 2, 1996**

[54] **FOLDABLE DESK FOR SHOPPING CARTS**

4,901,901 2/1990 Reitenour ..... 224/277  
5,004,252 4/1991 Kraper ..... 280/33.992

[76] Inventor: **Frances W. Glaeser**, 4614 S. Leisure Ct., Ellicott City, Md. 21043

### OTHER PUBLICATIONS

[\*\*] Term: **14 Years**

The Horchow Collection May-Jun. 1975 p. 19, Acrylic Bed Table on page.

[21] Appl. No.: **37,025**

*Primary Examiner*—Carmen H. Vales-Lado

[22] Filed: **Apr. 3, 1995**

### [57] CLAIM

[52] U.S. Cl. .... **D34/27; D6/406; D6/429**

The ornamental design for a foldable desk for shopping carts, as shown and described.

[58] **Field of Search** ..... D34/27; D7/550, D7/552; D6/396, 406, 429-431; 108/44; 224/411, 277; 280/33.992, DIG. 4, 47.34

### DESCRIPTION

### [56] References Cited

#### U.S. PATENT DOCUMENTS

D. 81,285	6/1930	Huntington	.....	D6/406
D. 132,893	6/1942	Corbett	.....	D6/406
D. 273,252	4/1984	Markson	.....	D6/429 X
D. 284,610	7/1986	Harris et al.	.....	D34/27
D. 352,588	11/1994	Orphan	.....	D34/27
D. 352,589	11/1994	Kennedy	.....	D34/27
D. 359,862	7/1995	Rousch	.....	D6/406
3,993,319	11/1976	Day	.....	280/33.992
4,487,134	12/1984	Foote	.....	108/44
4,583,753	4/1986	Economy	.....	280/33.992
4,643,280	2/1987	Hensley	.....	108/44 X
4,679,818	7/1987	Kakavas	.....	280/33.992

FIG. 1 is a front elevational view of the foldable desk for shopping carts showing my new design; FIG. 2 is a rear elevational view thereof; FIG. 3 is a left side elevational view thereof; FIG. 4 is a right side elevational view thereof; FIG. 5 is a top plan view thereof; FIG. 6 is a bottom plan view thereof; FIG. 7 is a perspective view thereof in position of use, the broken line showing of a portion of a shopping cart is for illustrative purposes only and forms no part of the claimed design; and, FIG. 8 is a front elevational view thereof in the folded position.

**1 Claim, 5 Drawing Sheets**

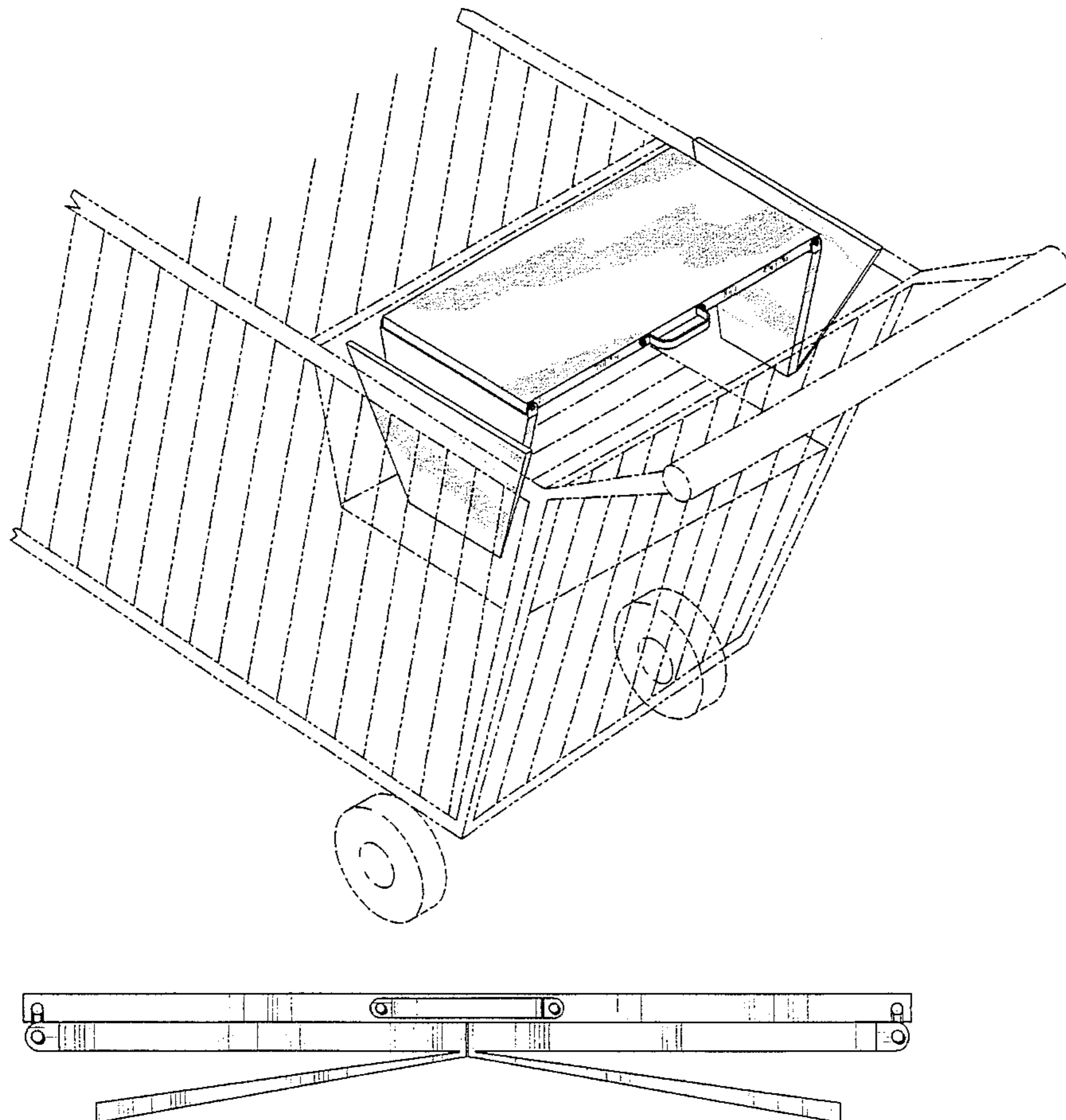


FIG. 1

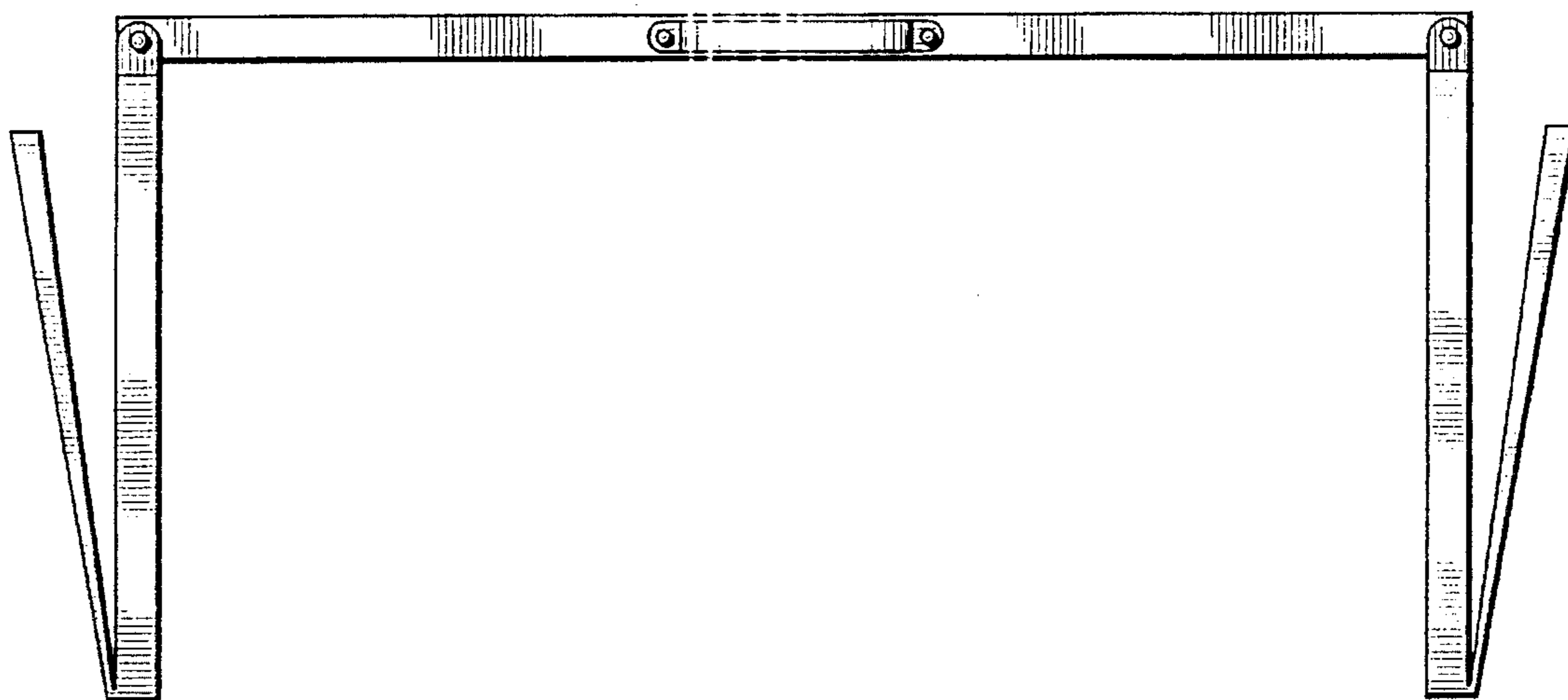


FIG. 2

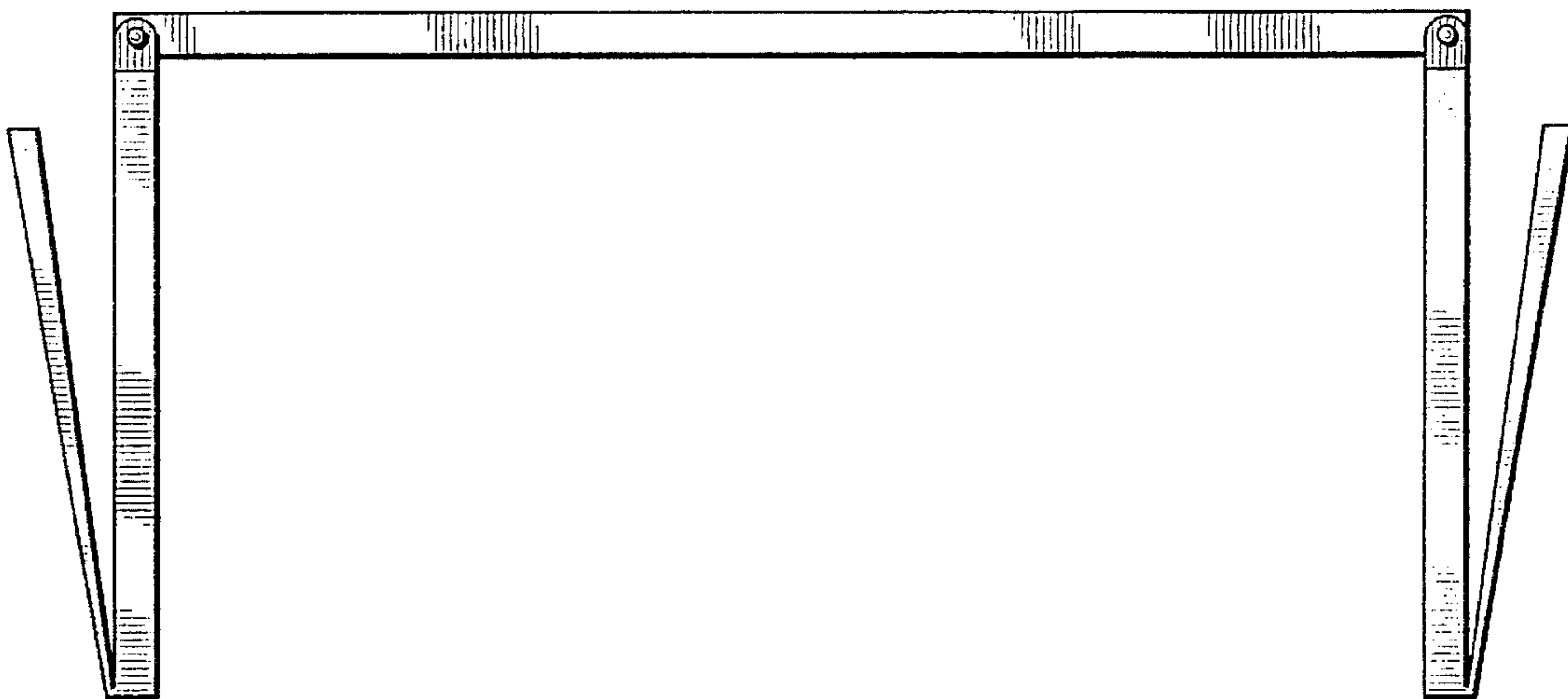


FIG. 3

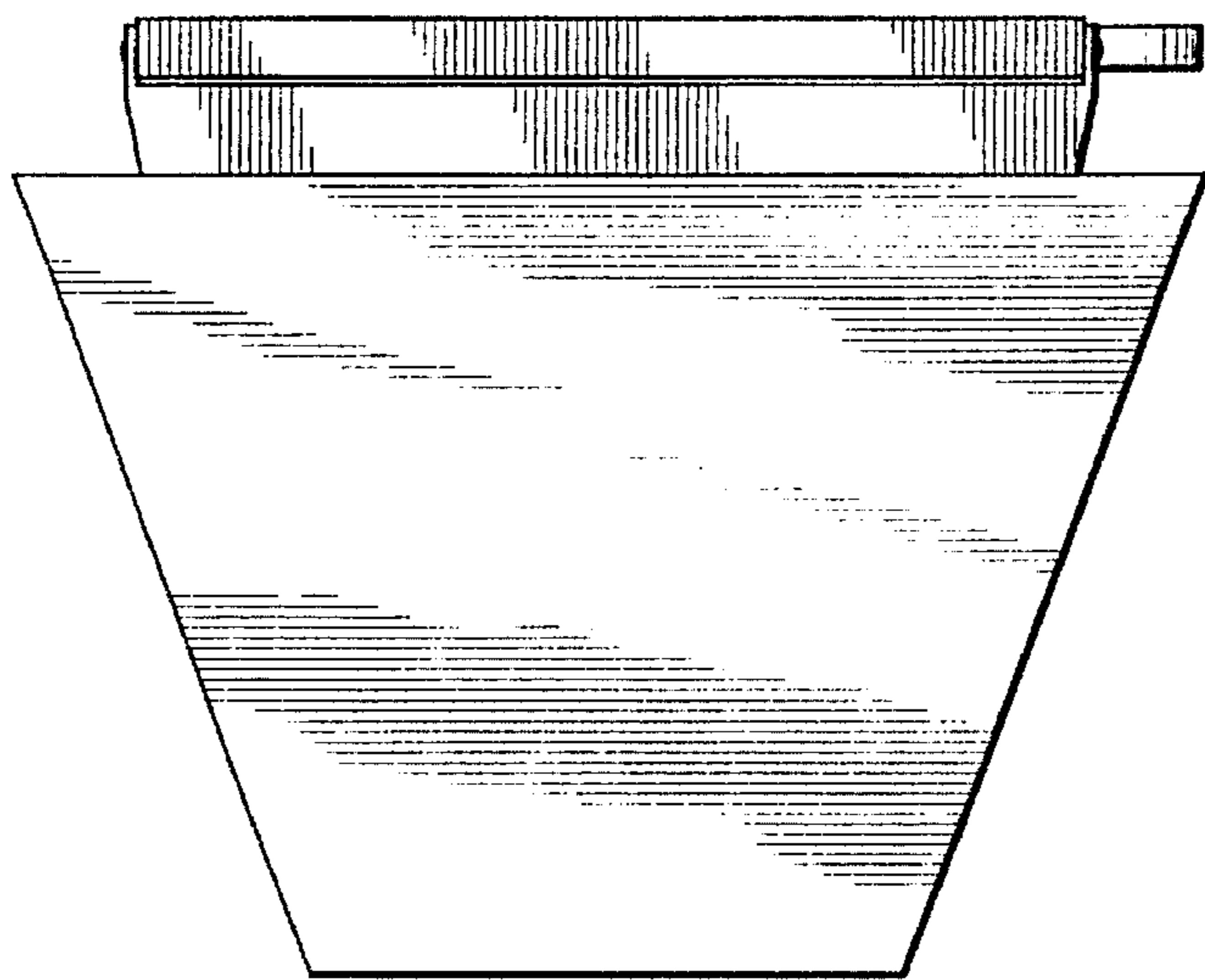


FIG. 4

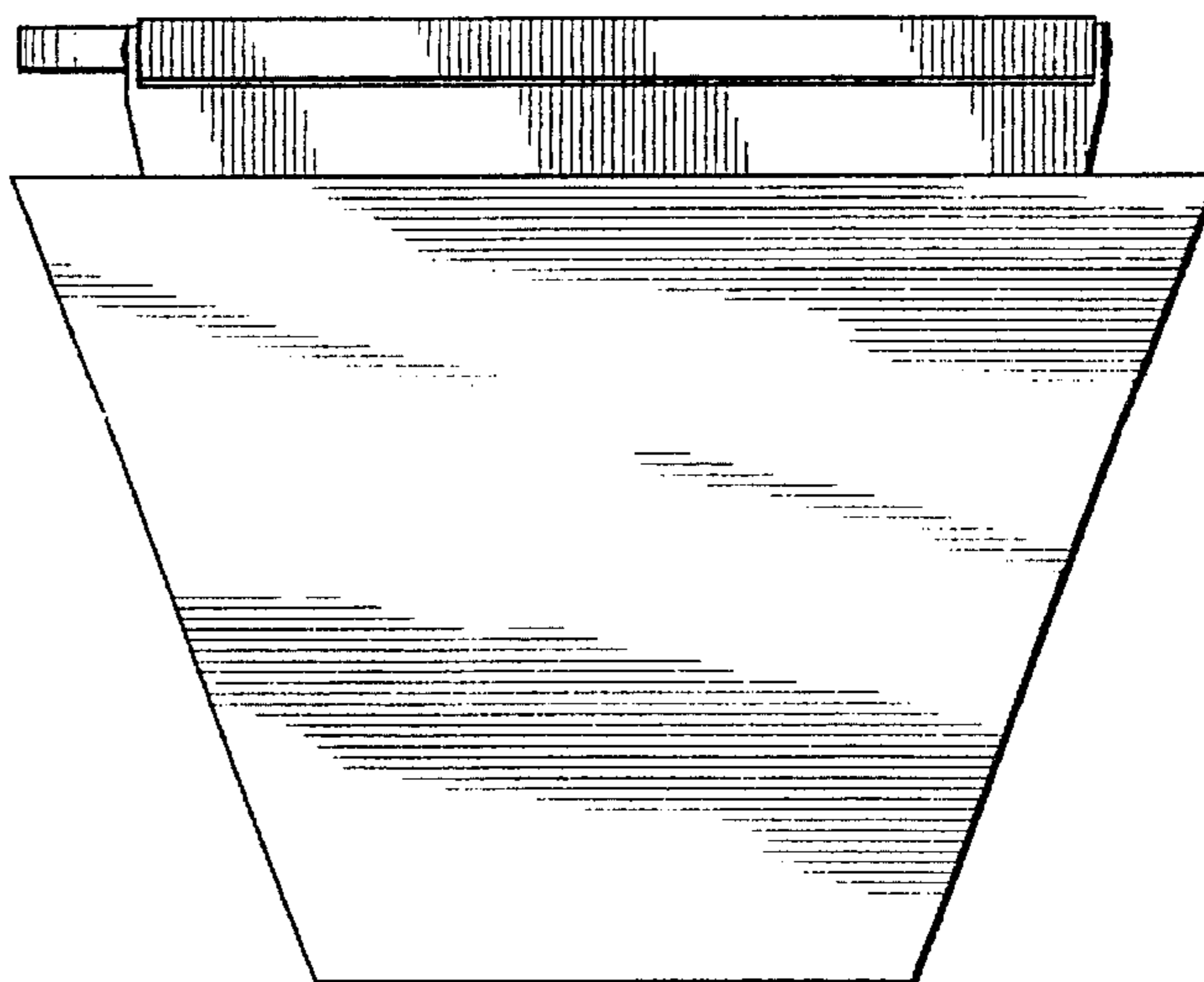


FIG. 5

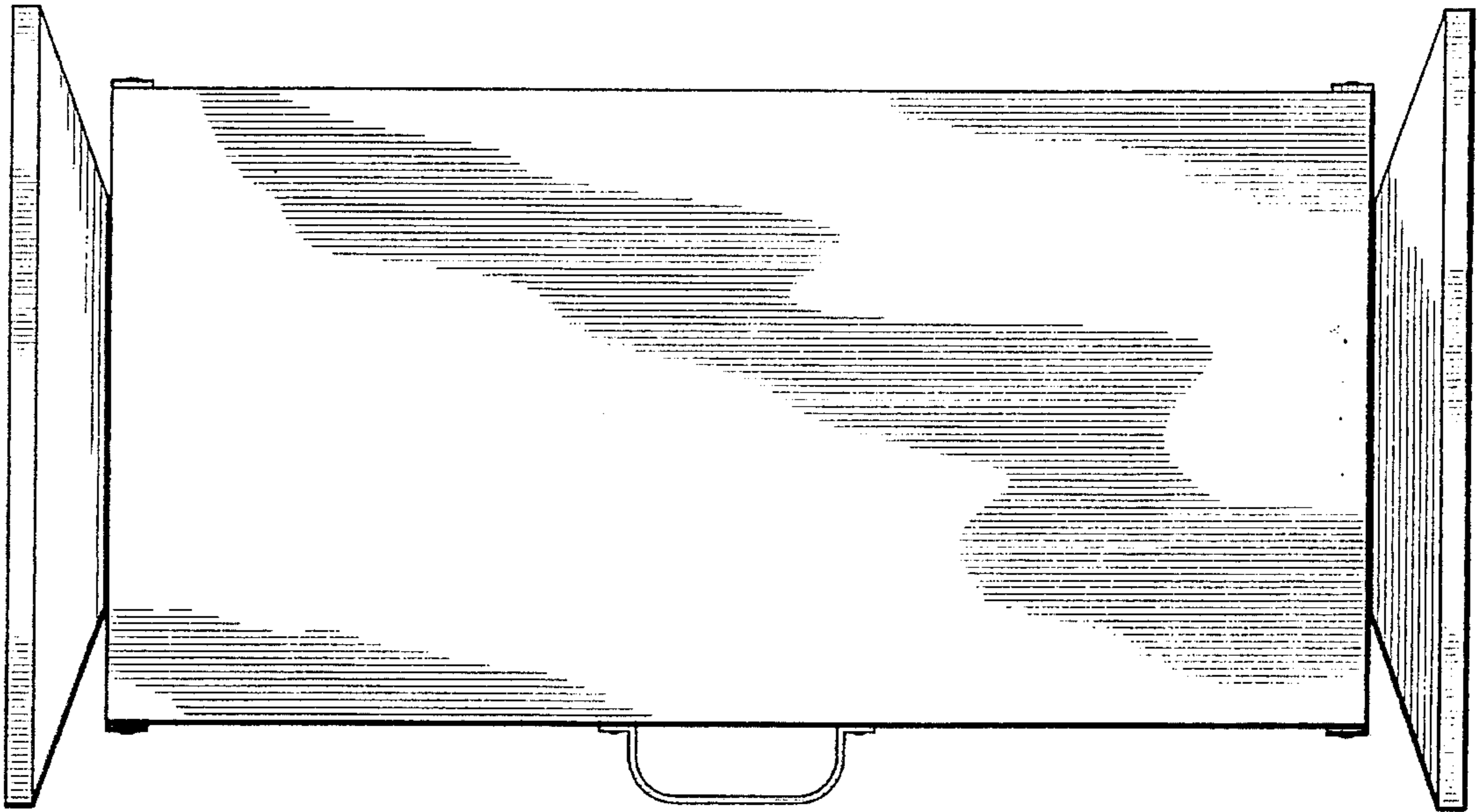
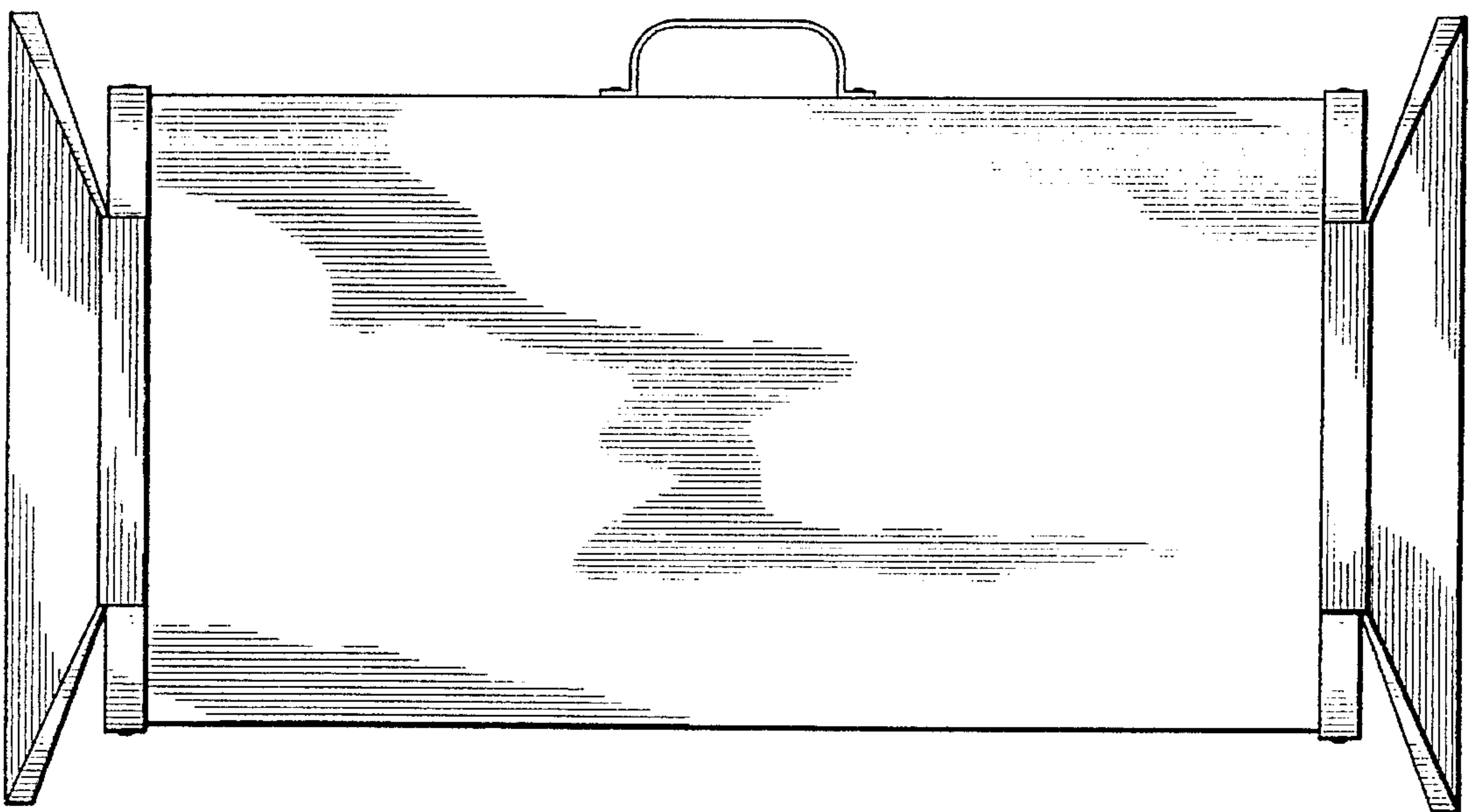


FIG. 6



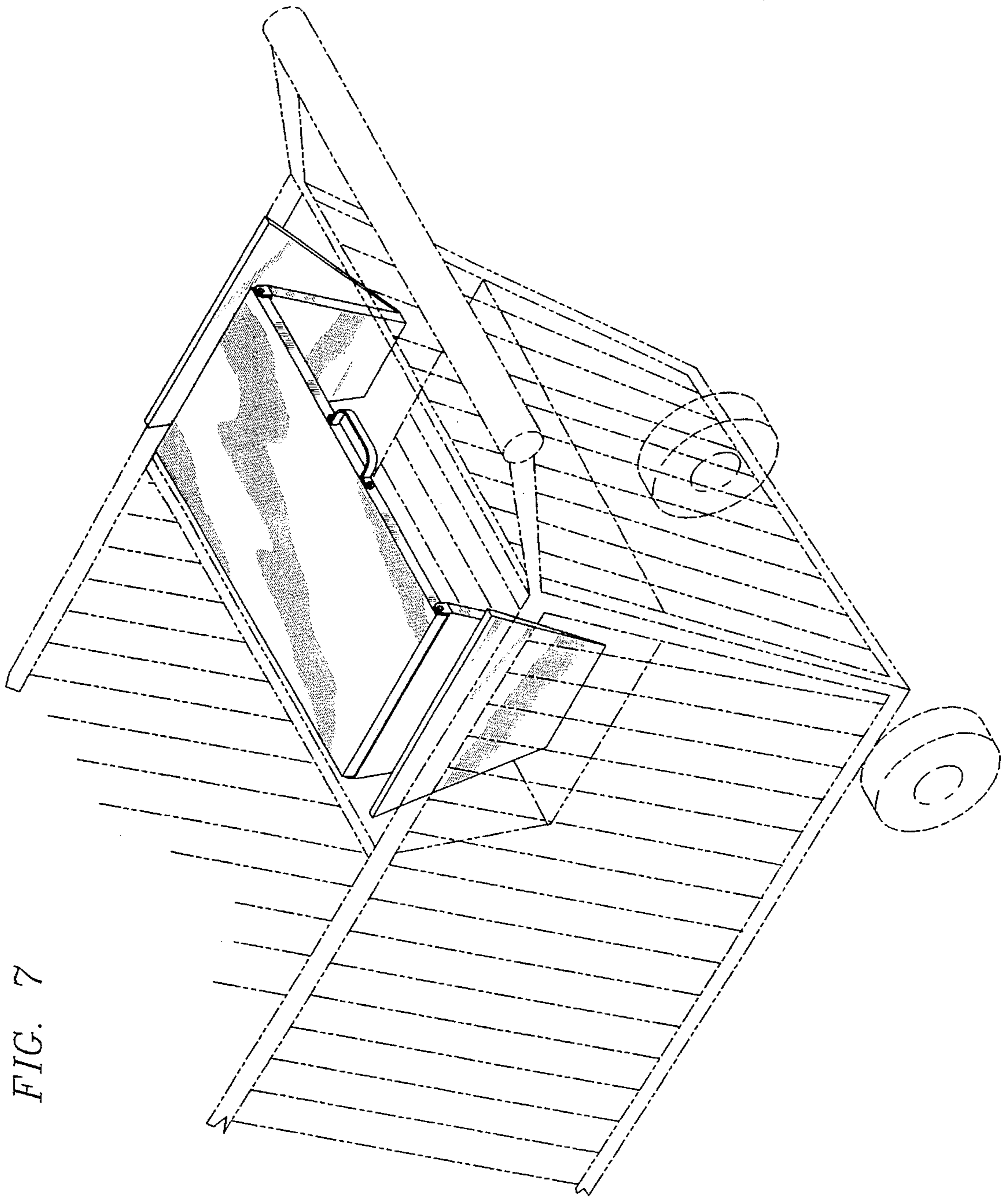


FIG. 7

FIG. 8

