



US00D368562S

United States Patent [19] Sterling

[11] **Patent Number:** **Des. 368,562**
[45] **Date of Patent:** ****Apr. 2, 1996**

[54] **GARMENT STRETCHER**

[76] Inventor: **Joseph F. Sterling**, 916 Daytona Ave.,
Holly Hill, Fla. 32117

[**] Term: **14 Years**

[21] Appl. No.: **31,749**

[22] Filed: **Dec. 5, 1994**

[52] U.S. Cl. **D32/59**

[58] Field of Search D32/58, 59; D21/191,
D21/198; 482/122, 128, 49; 223/52, 61

[56] **References Cited**

U.S. PATENT DOCUMENTS

D. 247,789	4/1978	Bëlkir	D21/191
761,803	6/1904	Wickelberg	223/61
1,744,515	1/1930	Thour	223/52
2,395,210	2/1946	Baril	D32/58
4,673,113	6/1987	Vandewege	223/52
5,046,726	9/1991	Van Straaten	482/128
5,372,558	12/1994	Perry et al.	482/49

FOREIGN PATENT DOCUMENTS

308472 2/1969 Sweden 482/128

Primary Examiner—A. Hugo Word
Assistant Examiner—Robin V. Taylor
Attorney, Agent, or Firm—William M. Hobby, III

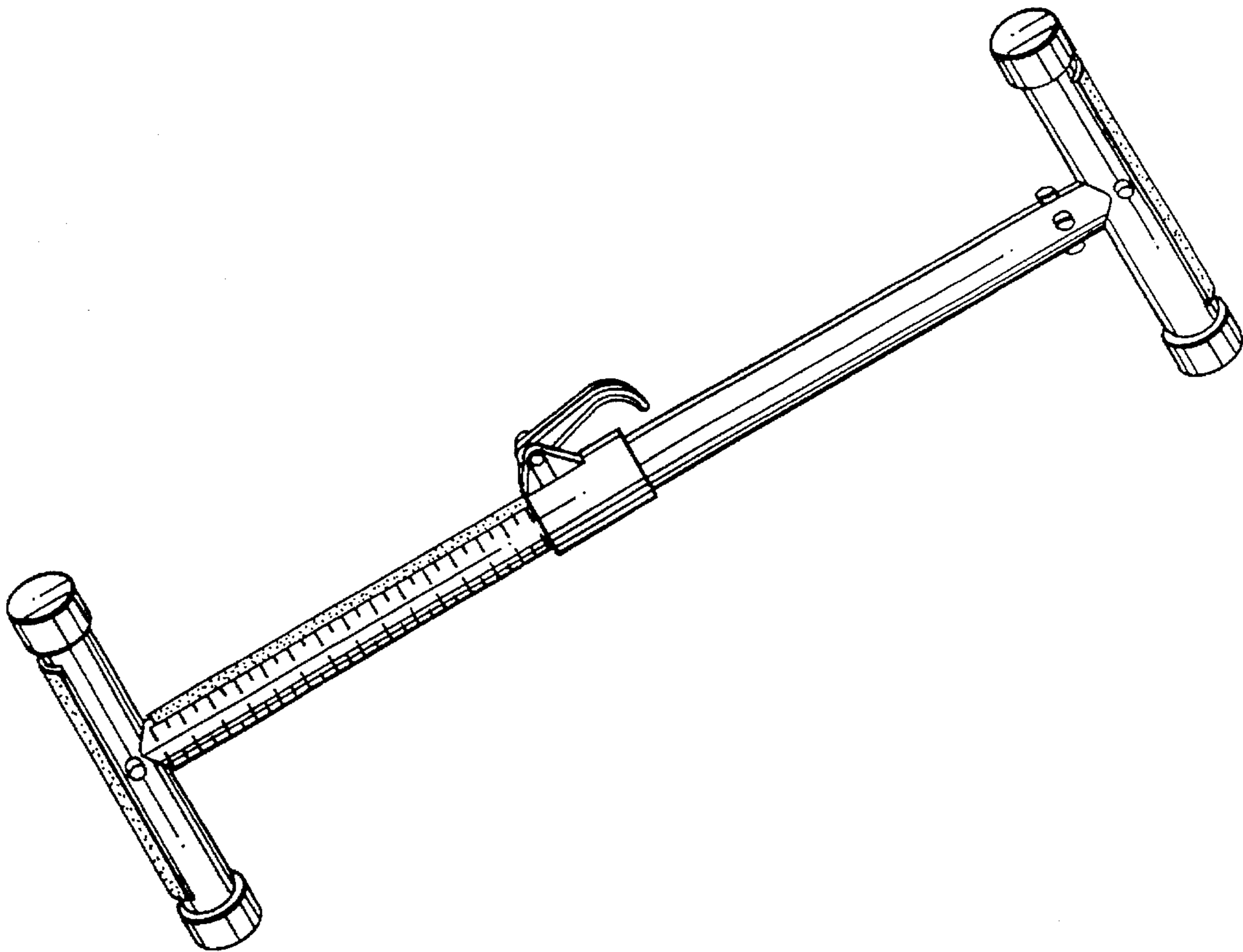
[57] **CLAIM**

The ornamental design for a garment stretcher, as shown and described.

DESCRIPTION

FIG. 1 is a front perspective view of a garment stretcher showing my new design;
FIG. 2 is a front perspective view thereof, in contracted position;
FIG. 3 is a rear elevation;
FIG. 4 is a left end elevation;
FIG. 5 is a left side elevation;
FIG. 6 is a right end elevation; and,
FIG. 7 is a right side elevation.

1 Claim, 1 Drawing Sheet



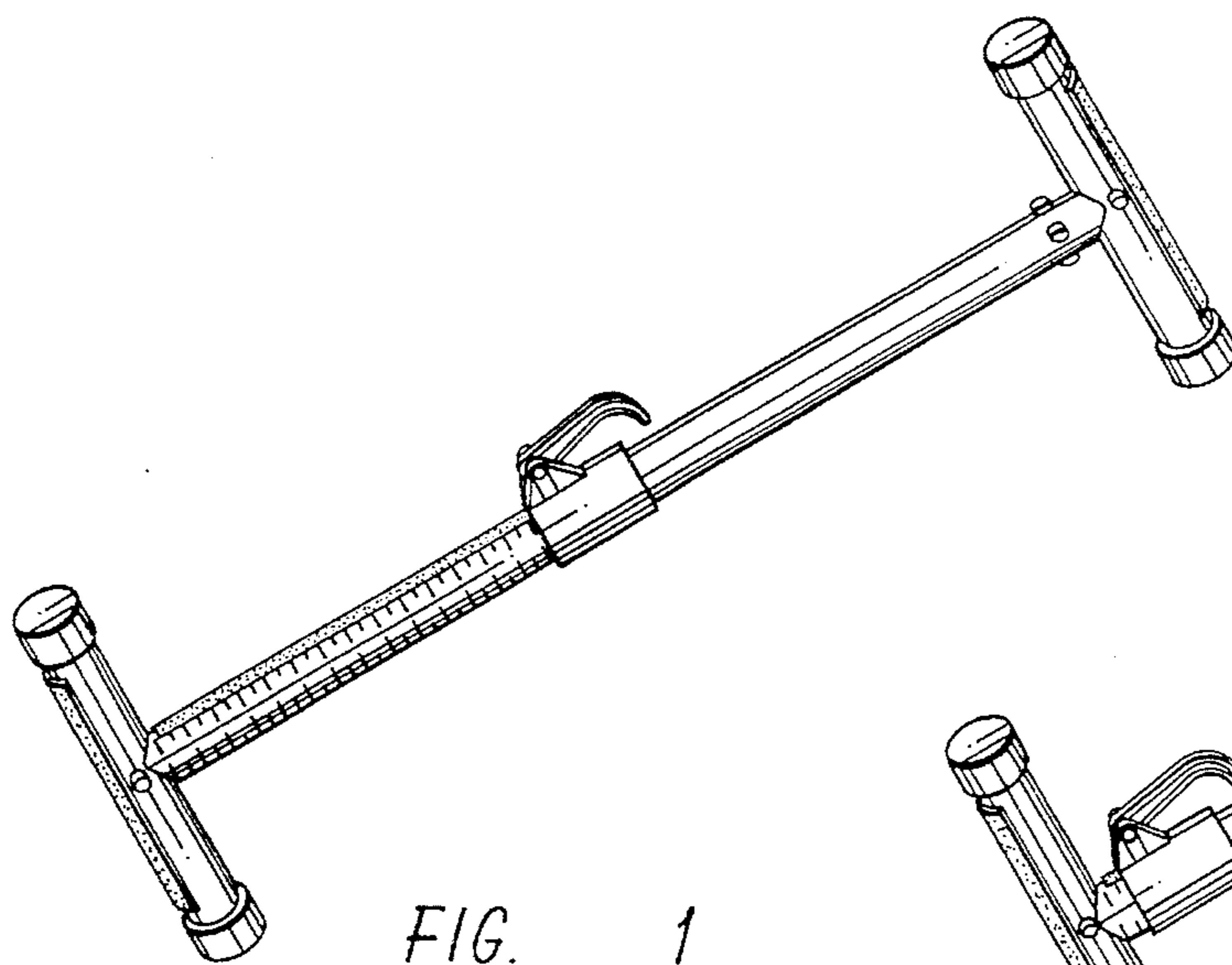


FIG. 1

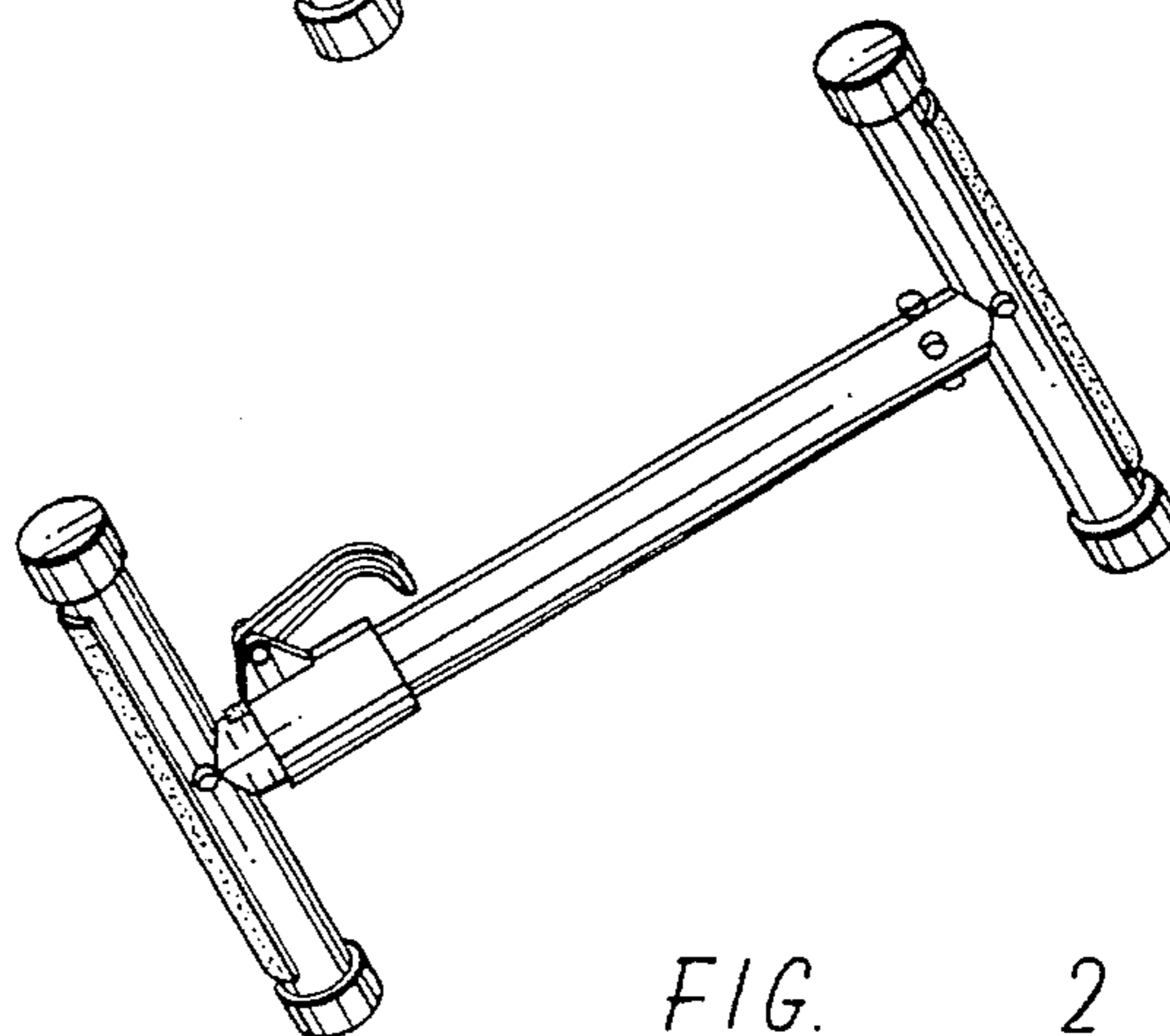


FIG. 2

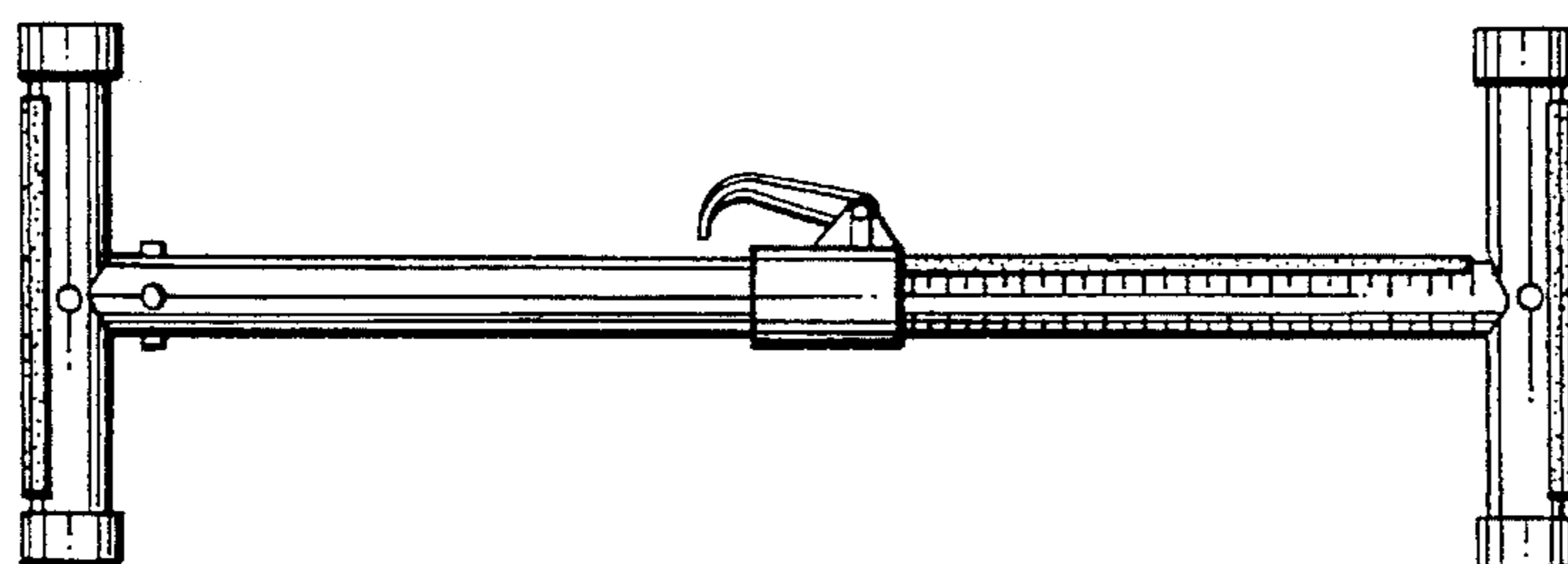


FIG. 3



FIG. 4

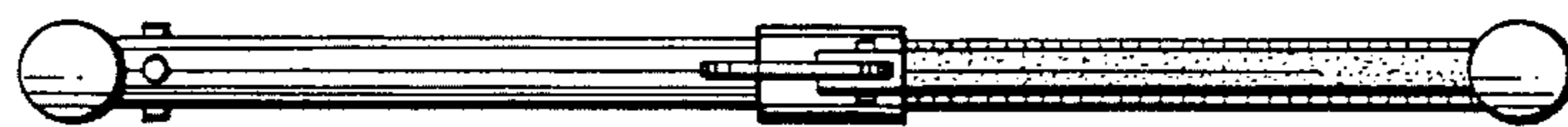


FIG. 5



FIG. 6

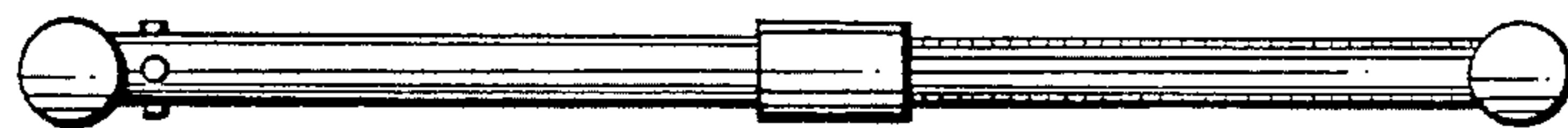


FIG. 7