



US00D368557S

**United States Patent** [19]  
**McGinty**

[11] **Patent Number:** **Des. 368,557**  
[45] **Date of Patent:** **\*\*Apr. 2, 1996**

[54] **BIRD FEEDER SKEWER**

[76] Inventor: **Glen H. McGinty**, 7070 W. 117th Ave.,  
Broomfield, Colo. 80020

[\*\*] Term: **14 Years**

[21] Appl. No.: **26,172**

[22] Filed: **Jul. 21, 1994**

[52] U.S. Cl. .... **D30/124**

[58] **Field of Search** ..... 119/51.03, 52.2,  
119/52.3, 57.8, 57.9; D7/683; D30/124-128,  
121, 131-133

[56] **References Cited**

**U.S. PATENT DOCUMENTS**

D. 185,682	7/1959	Sheffler	119/51.03
D. 207,781	5/1967	Lowe, Jr.	D30/124
D. 216,199	12/1969	Brown, Jr.	D30/125
D. 330,953	11/1992	Schneider	D30/124
D. 337,861	7/1993	Ross	D30/121
793,469	6/1905	Sachs	D30/133
1,369,079	2/1921	Boothe	119/51.03
1,550,438	8/1925	Hohmann	119/51.03
1,596,333	8/1926	Boyle	119/51.03
3,339,478	9/1967	Crow	D7/683
3,410,457	11/1968	Brown	D7/683

**FOREIGN PATENT DOCUMENTS**

3511155	10/1986	Germany	119/51.03
410220	5/1934	United Kingdom	119/57.8
2131267	6/1984	United Kingdom	119/51.03

**OTHER PUBLICATIONS**

Signatures Catalog; Bird Feeder.

*Primary Examiner*—Cathy Anne MacCormac  
*Attorney, Agent, or Firm*—Rick Martin

[57] **CLAIM**

The ornamental design for a bird feeder skewer, as shown and described.

**DESCRIPTION**

FIG. 1 is an front elevational view of a bird feeder skewer showing my new design;

FIG. 2 is an exploded front elevational view thereof;

FIG. 3 is a rear elevational view of FIG. 1;

FIG. 4 is a right side elevational view of FIG. 1;

FIG. 5 is a left side elevational view of FIG. 1;

FIG. 6 is a top plan view of FIG. 1;

FIG. 7 is a bottom plan view of FIG. 1;

FIG. 8 is a bottom perspective view of FIG. 1;

FIG. 9 is a front elevational view of a second embodiment of FIG. 1;

FIG. 10 is a rear elevational view of FIG. 9 shown broken away for convenience of illustration;

FIG. 11 is a right side elevational view of FIG. 9;

FIG. 12 is a left side elevational view of FIG. 9;

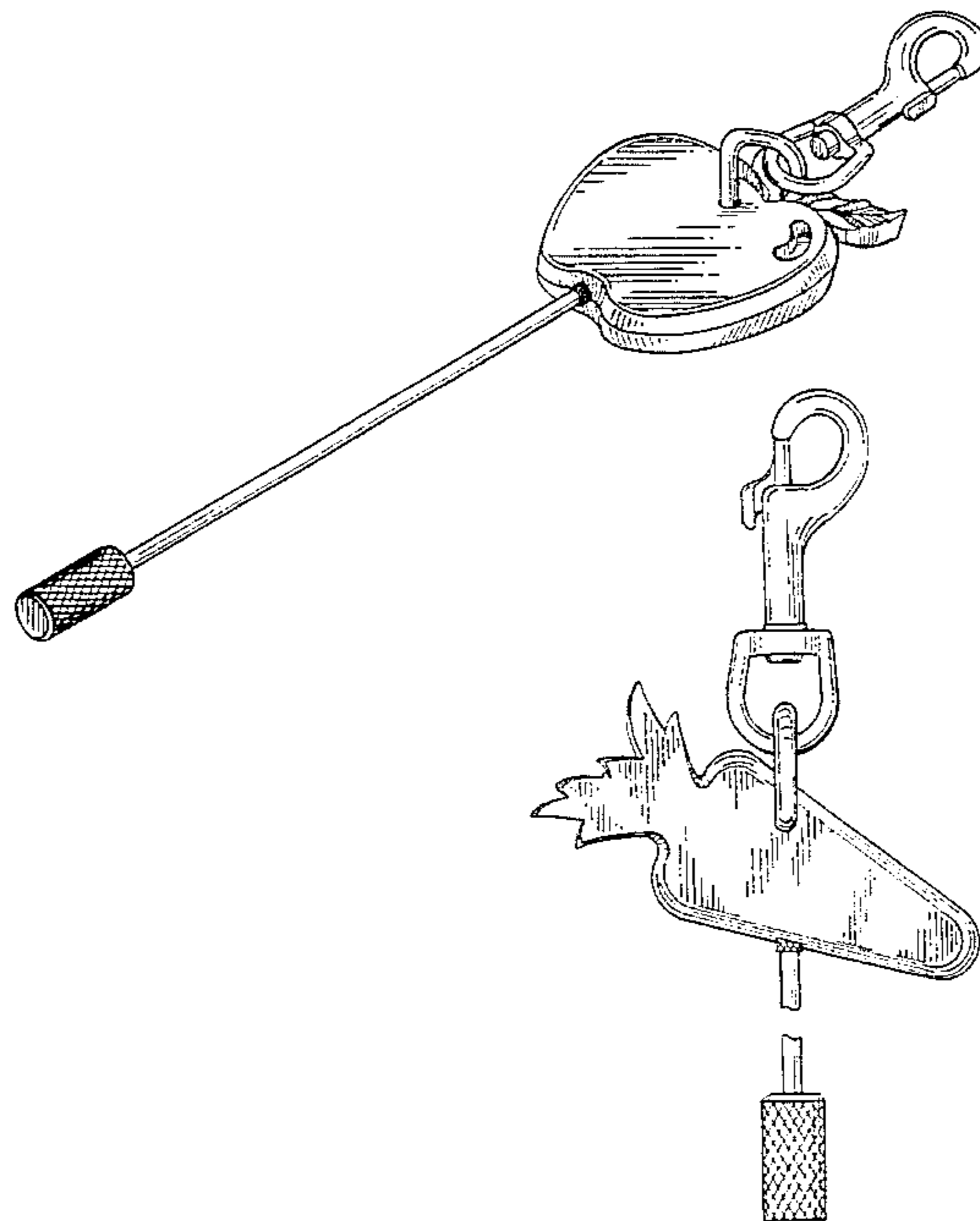
FIG. 13 is a top plan view of FIG. 9; and,

FIG. 14 is a bottom plan view of FIG. 9.

The broken lines in FIG. 1 are for purposes of illustration only and form no part of the claimed design.

The skewer in FIG. 10 is shown broken away for ease of illustration.

**1 Claim, 3 Drawing Sheets**



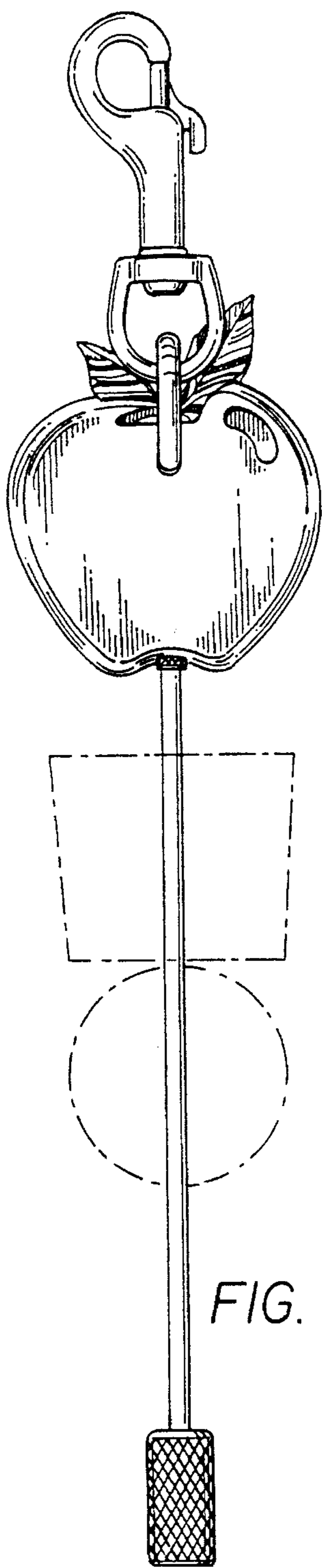


FIG. 1

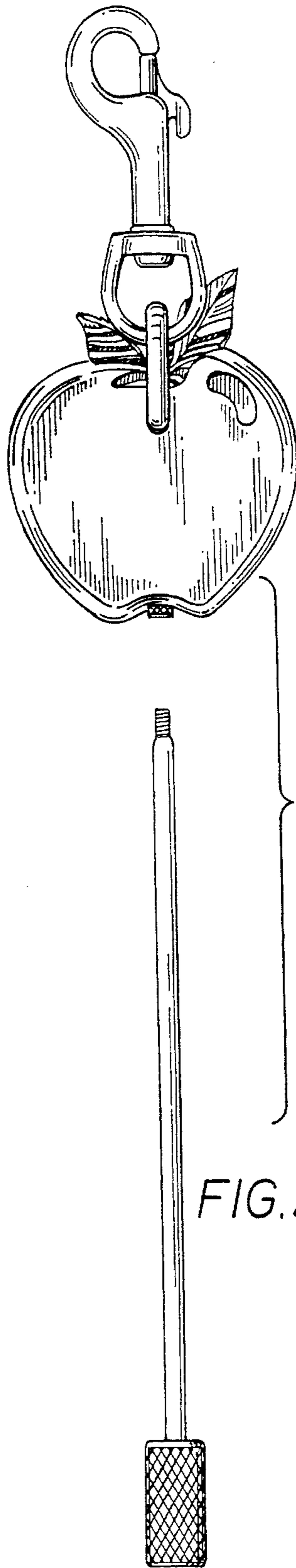


FIG. 2

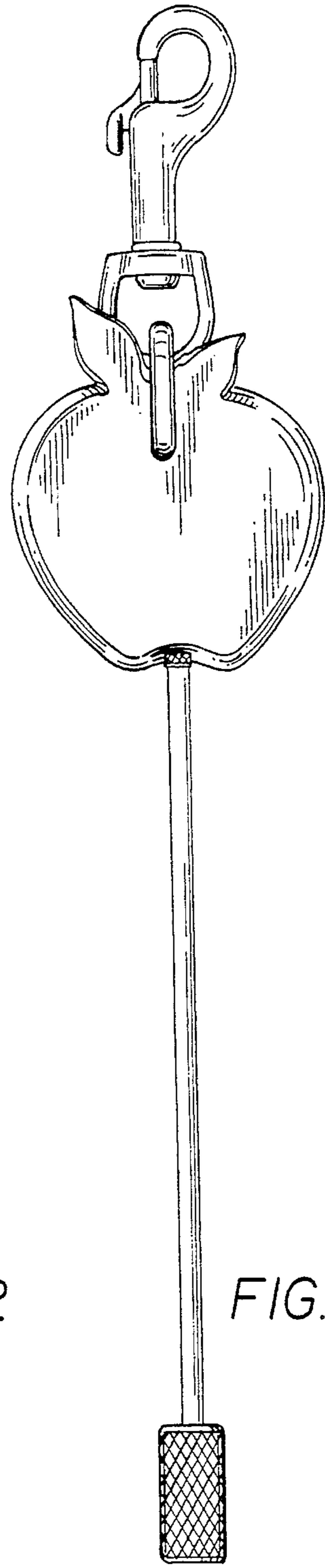


FIG. 3

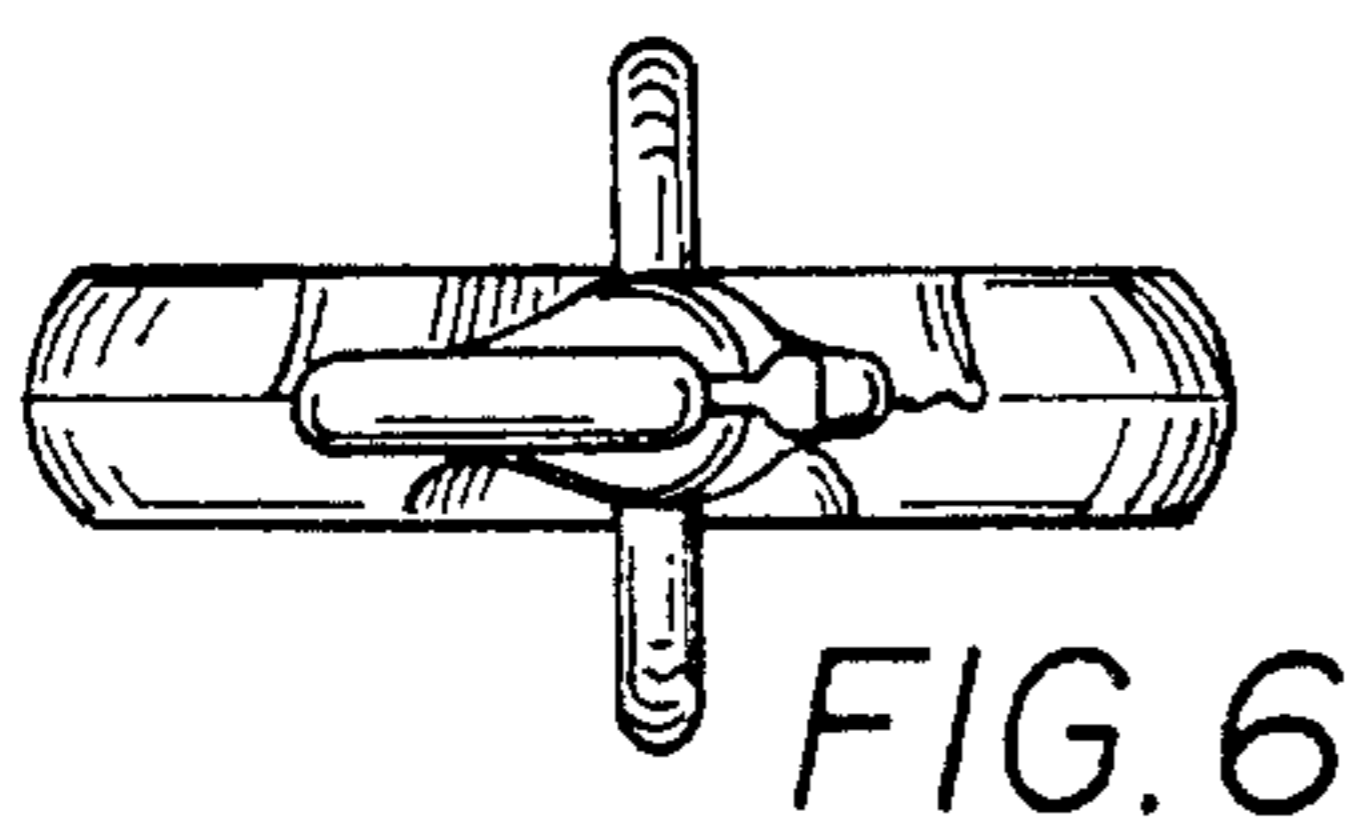


FIG. 6

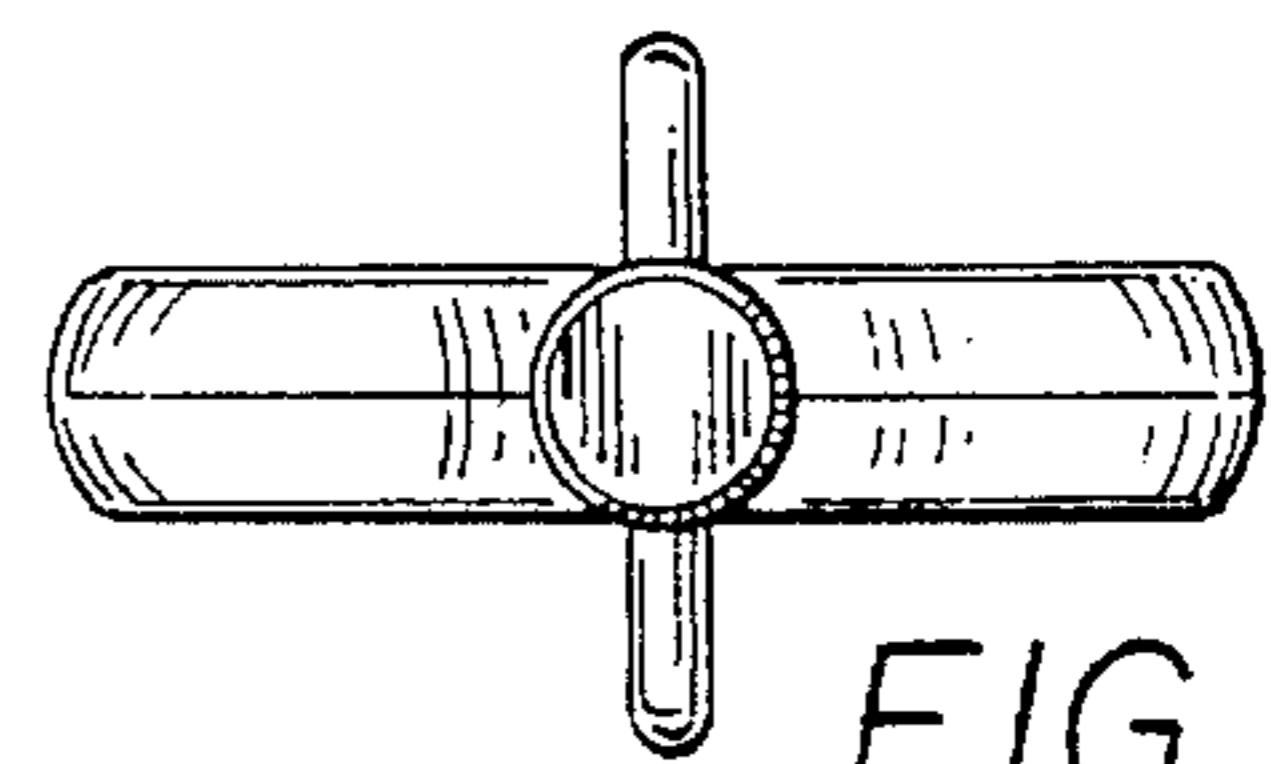


FIG. 7

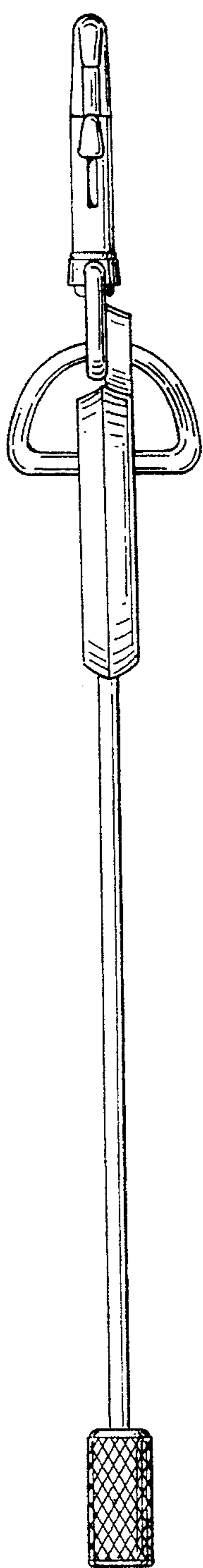


FIG. 4

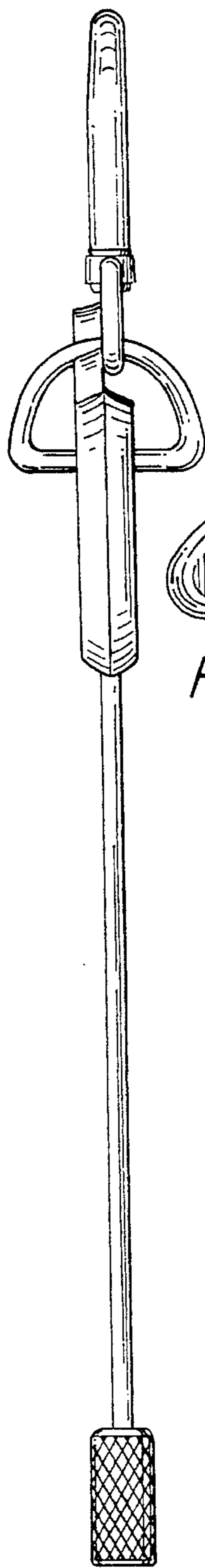


FIG. 5

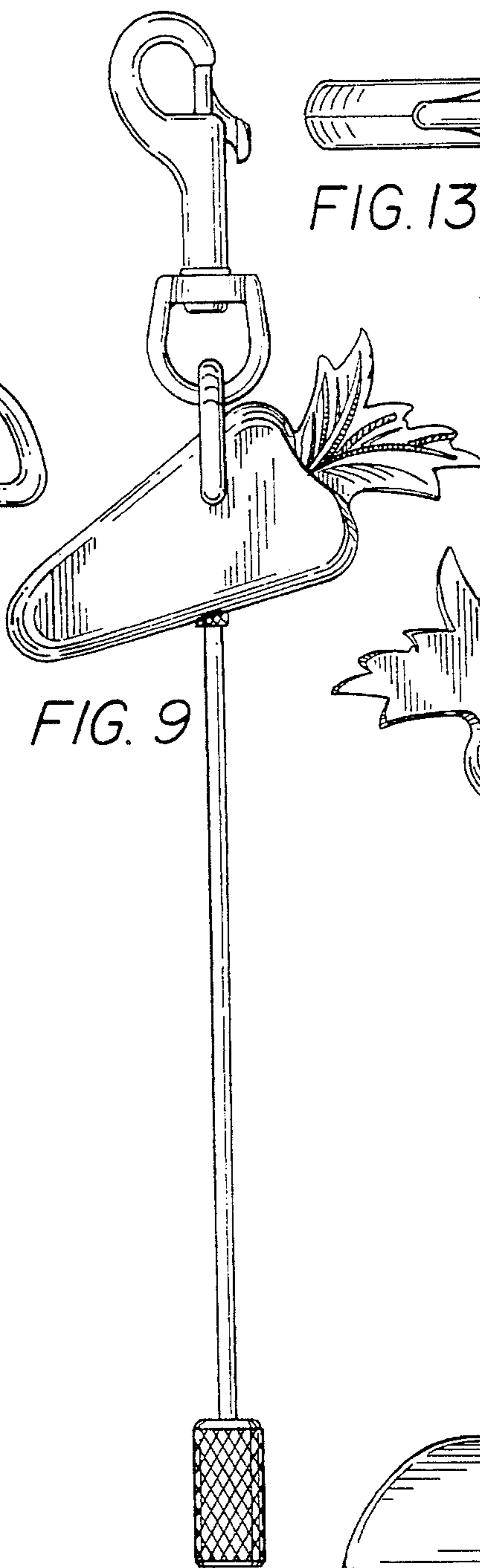


FIG. 9

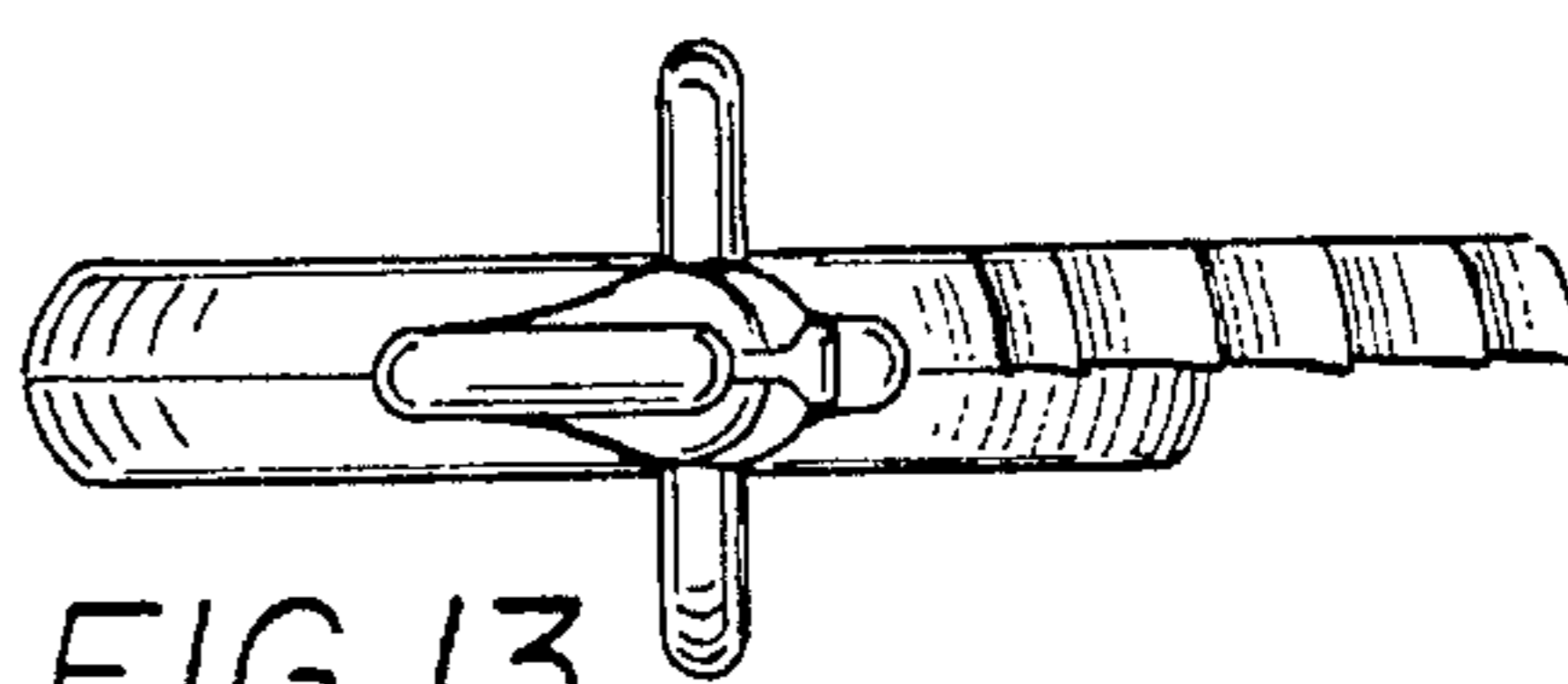


FIG. 13

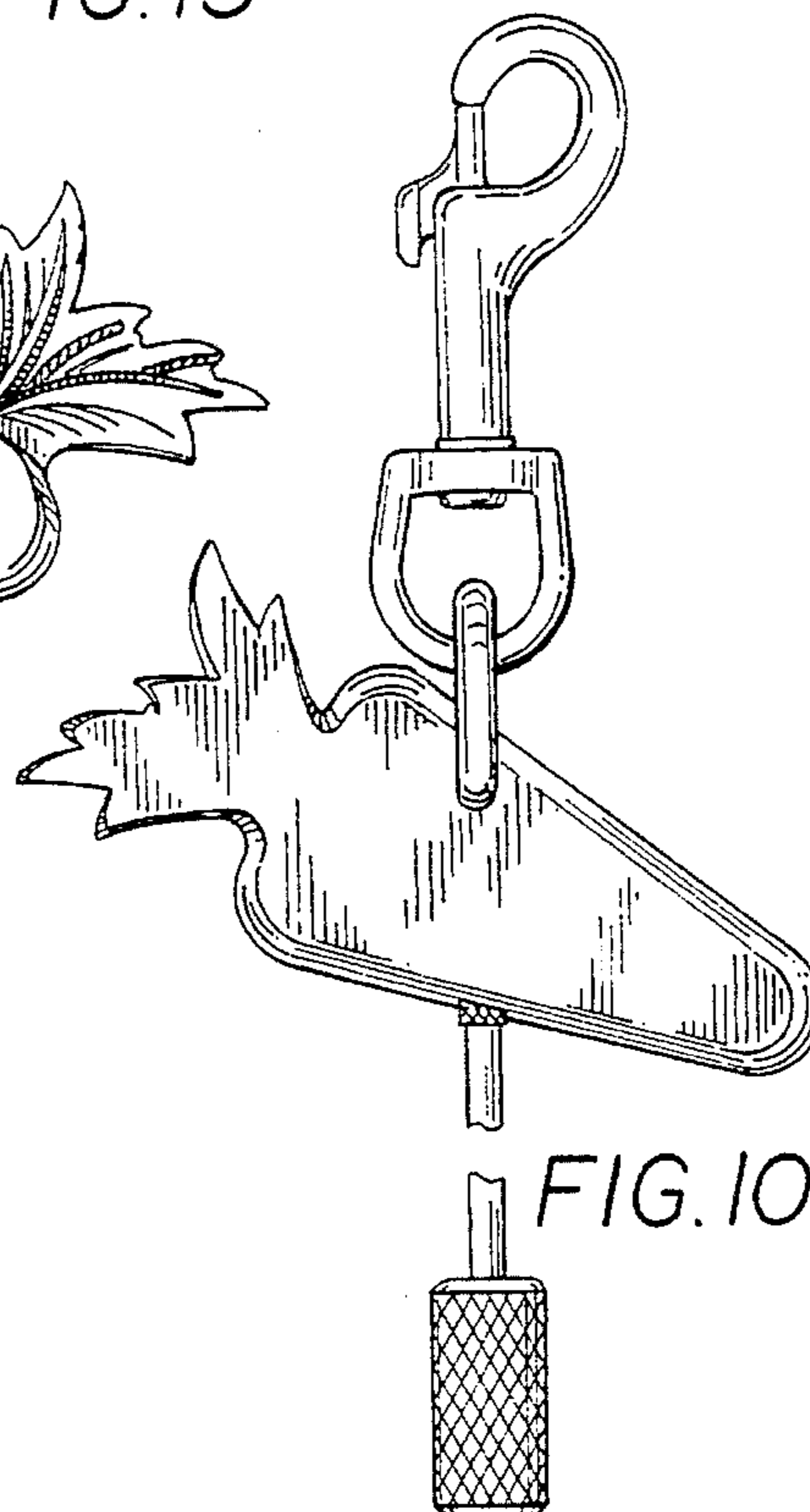


FIG. 10

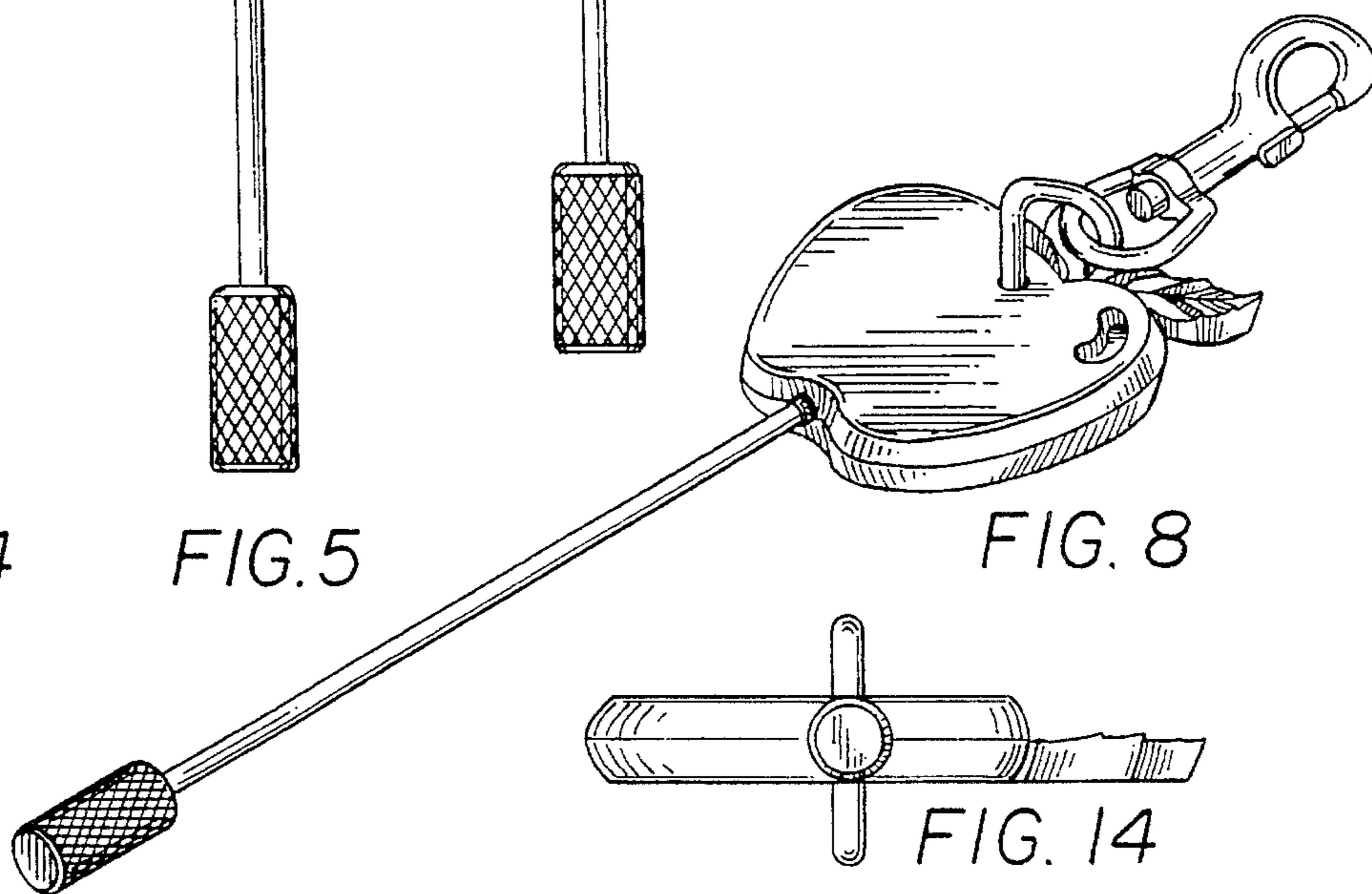


FIG. 8

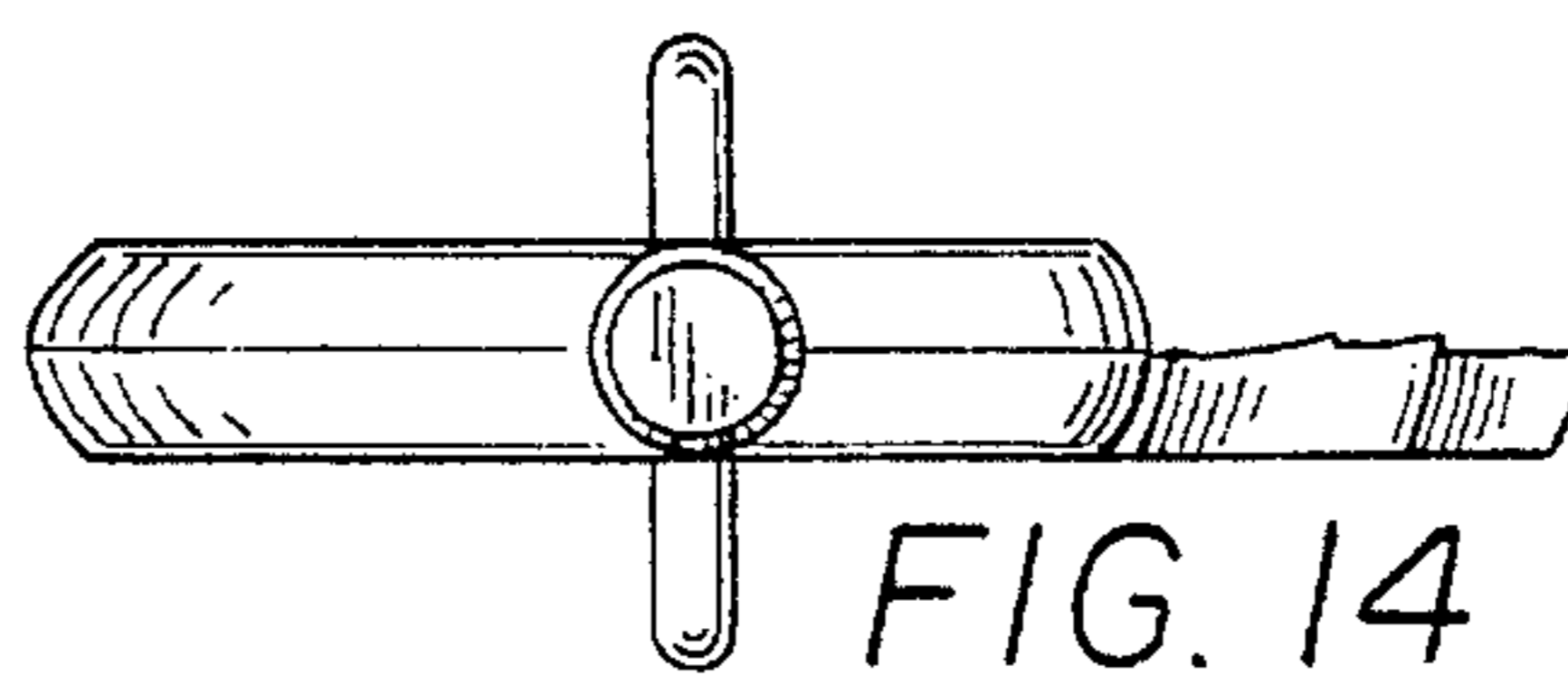


FIG. 14

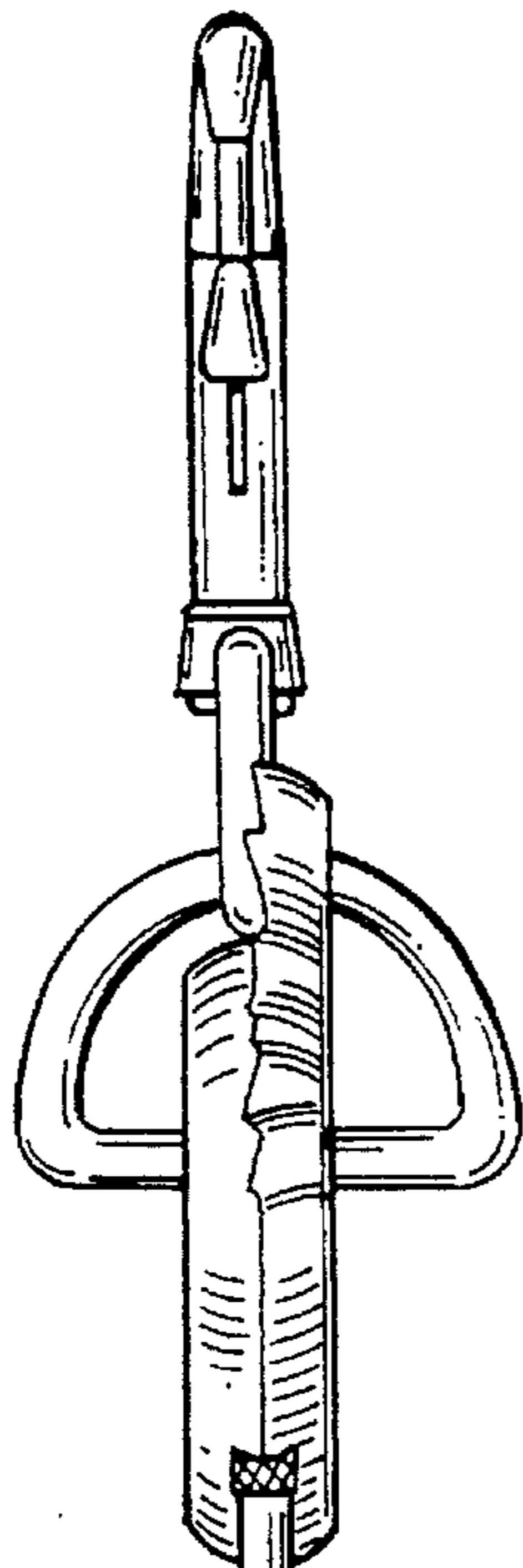


FIG. 11

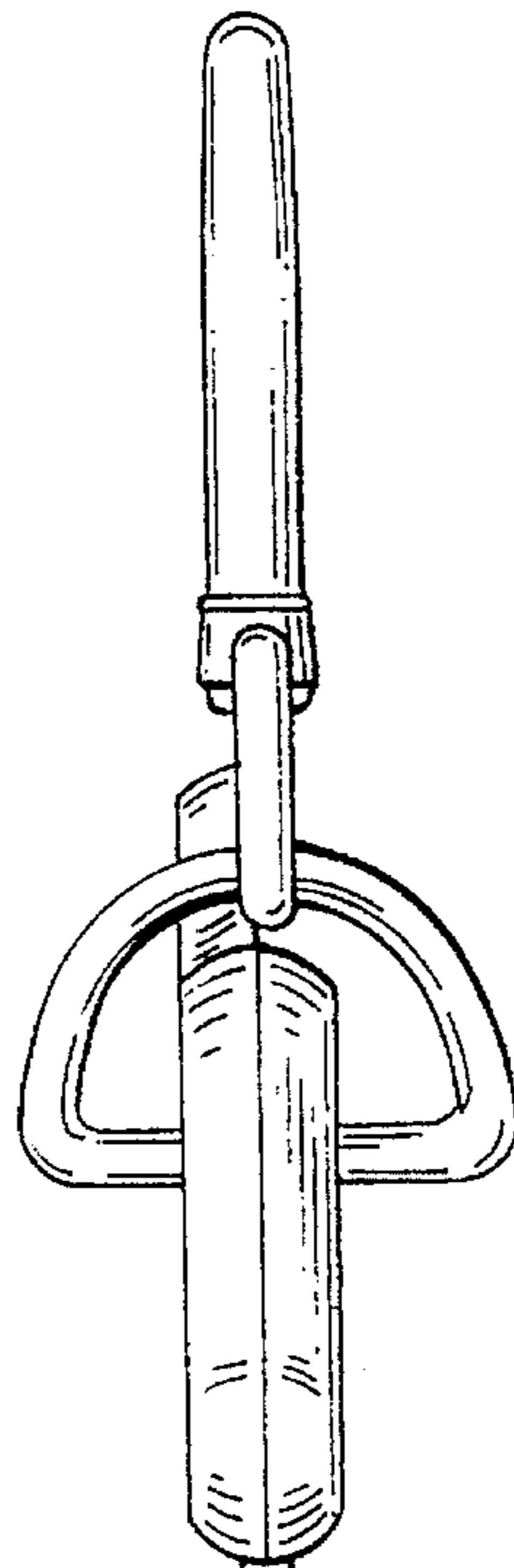


FIG. 12