



US00D368556S

United States Patent [19] Rodgers

[11] **Patent Number:** **Des. 368,556**
[45] **Date of Patent:** ****Apr. 2, 1996**

[54] **FISH ISOLATION TANK** 4,120,265 10/1978 Davis 119/252

[76] **Inventor:** **Lawrence B. Rodgers**, 4041 Ebenezer Rd., Marietta, Ga. 30066

[**] **Term:** **14 Years**

[21] **Appl. No.:** **24,665**

[22] **Filed:** **Jun. 20, 1994**

[52] **U.S. Cl.** **D30/106**

[58] **Field of Search** **D30/101-107;**
119/251-252

[56] **References Cited**

U.S. PATENT DOCUMENTS

D. 171,472	2/1954	Willinger et al.	D30/105
D. 345,631	3/1994	Marshall et al.	D30/106
D. 353,476	12/1994	Davis	D30/106
3,216,395	11/1965	Girard	119/252
3,291,098	12/1966	Halpert	119/252
3,304,912	2/1967	Hackman et al.	119/251
3,374,770	3/1968	Freudenberger	119/252
3,477,679	11/1969	Lovitz	119/252
3,512,503	5/1970	Willinger	119/251
3,584,602	6/1971	Stasio	119/252

OTHER PUBLICATIONS

Popular Science; Jan. 5, 1945; Aquarium "Maternity Ward"; pp. 178; 119-252.
The Aquarium; Oct. 1939; p. 4A; Breeding Trap and Nursery Tank; 119-252.

Primary Examiner—Cathy Anne MacCormac
Attorney, Agent, or Firm—Rodgers & Rodgers

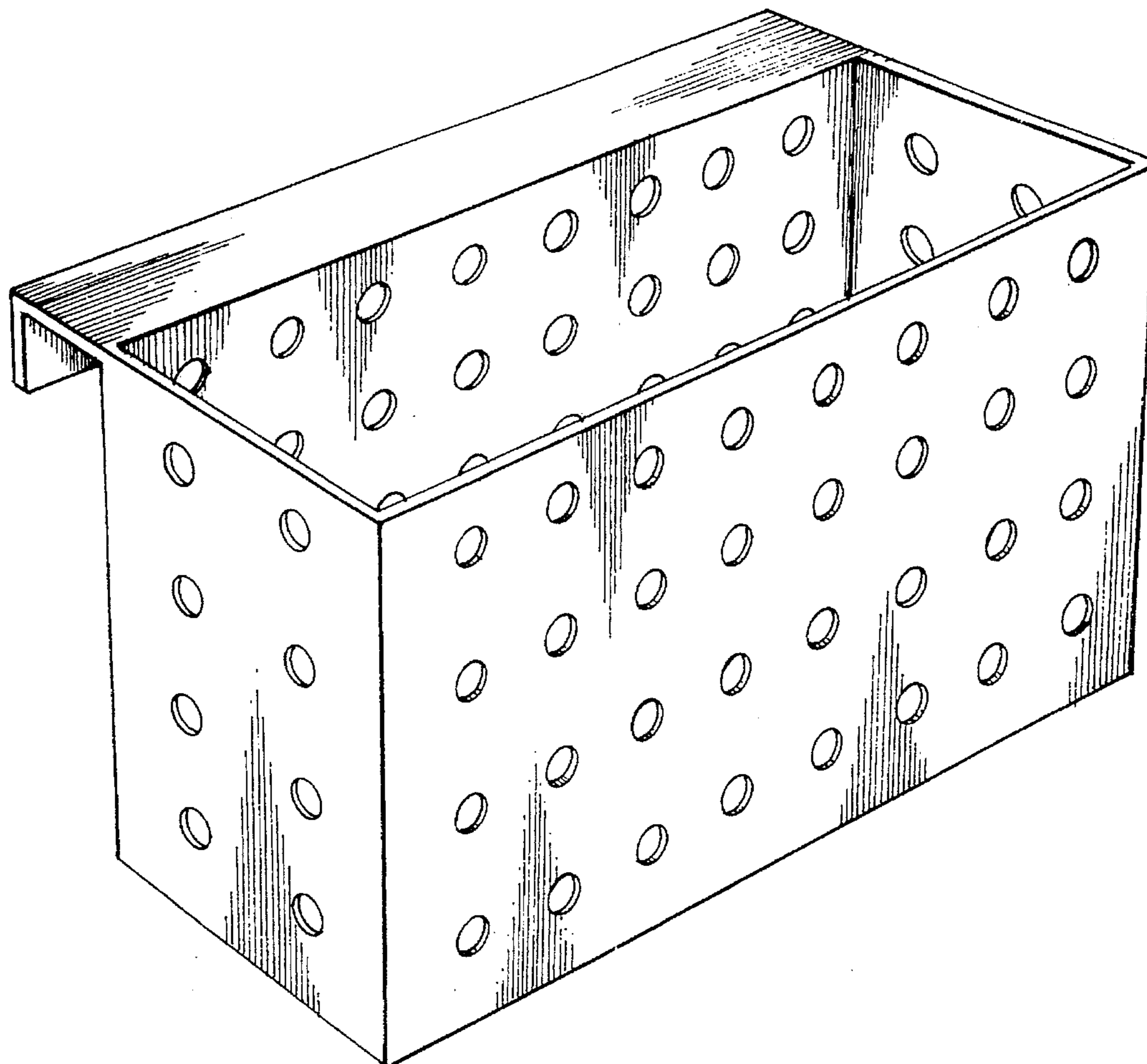
[57] **CLAIM**

The ornamental design for a fish isolation tank, as shown and described.

DESCRIPTION

FIG. 1 is a perspective view of a fish isolation tank showing my new design;
FIG. 2 is a rear elevational view thereof;
FIG. 3 is a top plan view thereof;
FIG. 4 is a front elevational view thereof;
FIG. 5 is a left side elevational view thereof, the opposite side being a mirror image of that shown; and,
FIG. 6 is a bottom plan view thereof.

1 Claim, 3 Drawing Sheets



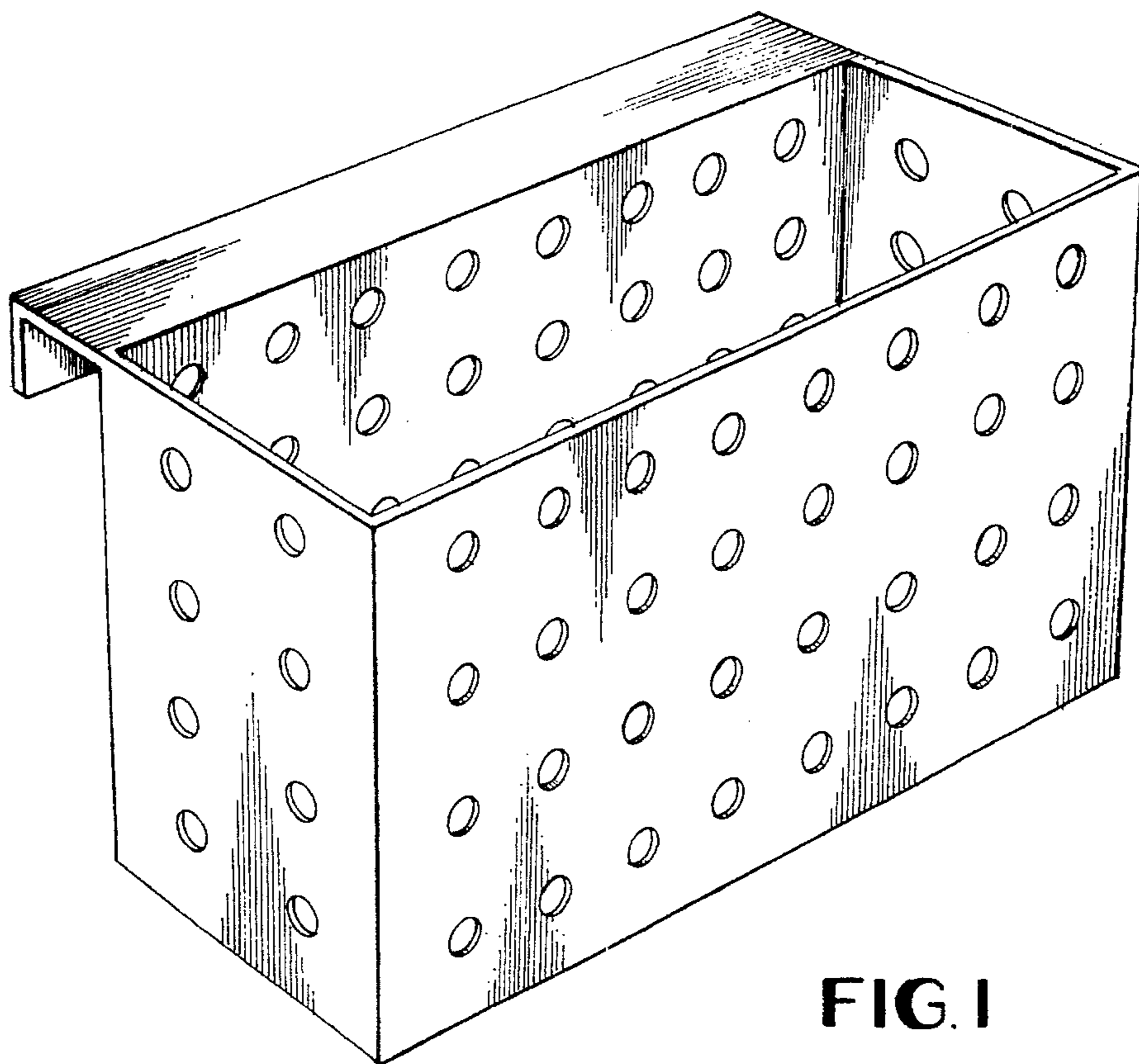


FIG. 1

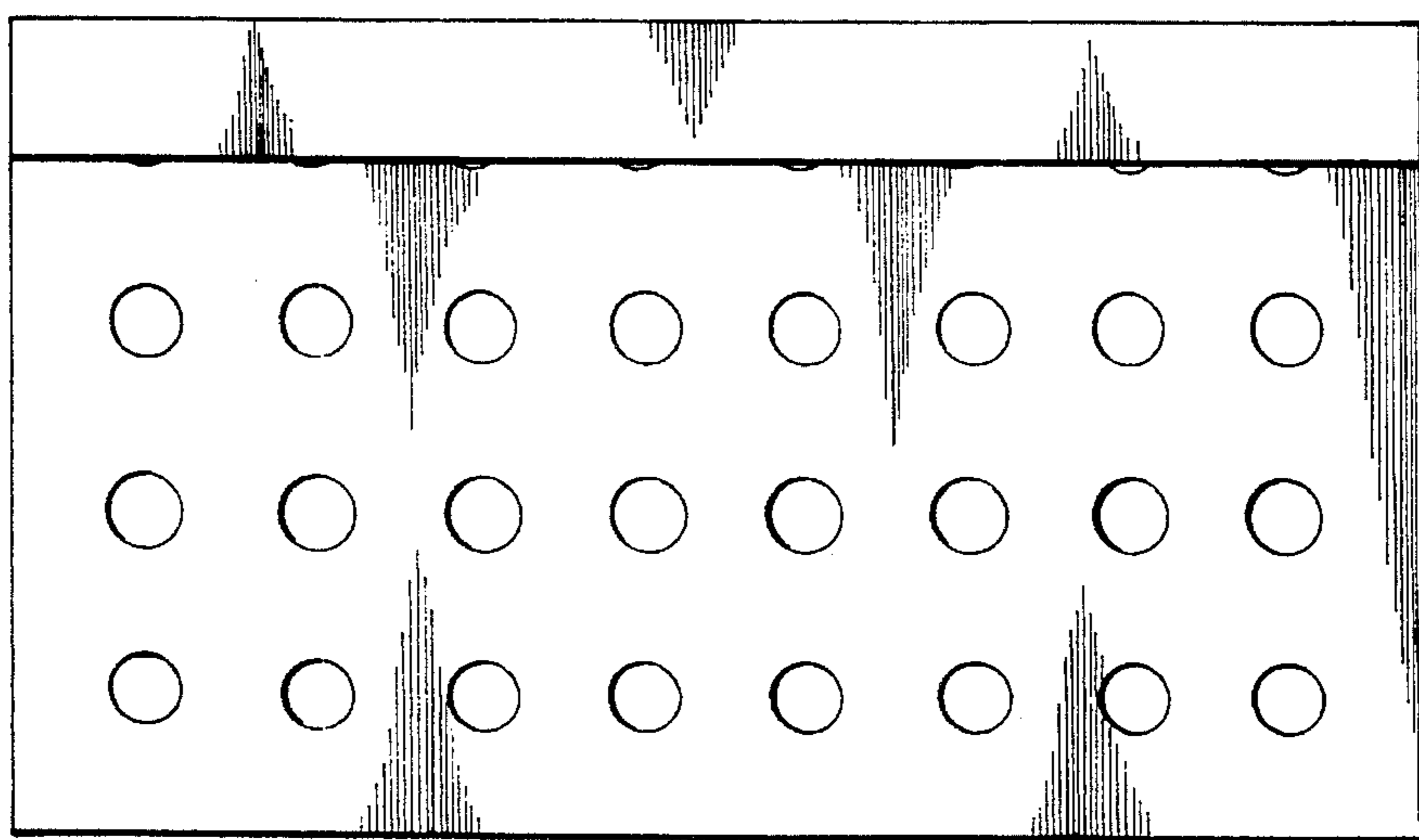


FIG. 2

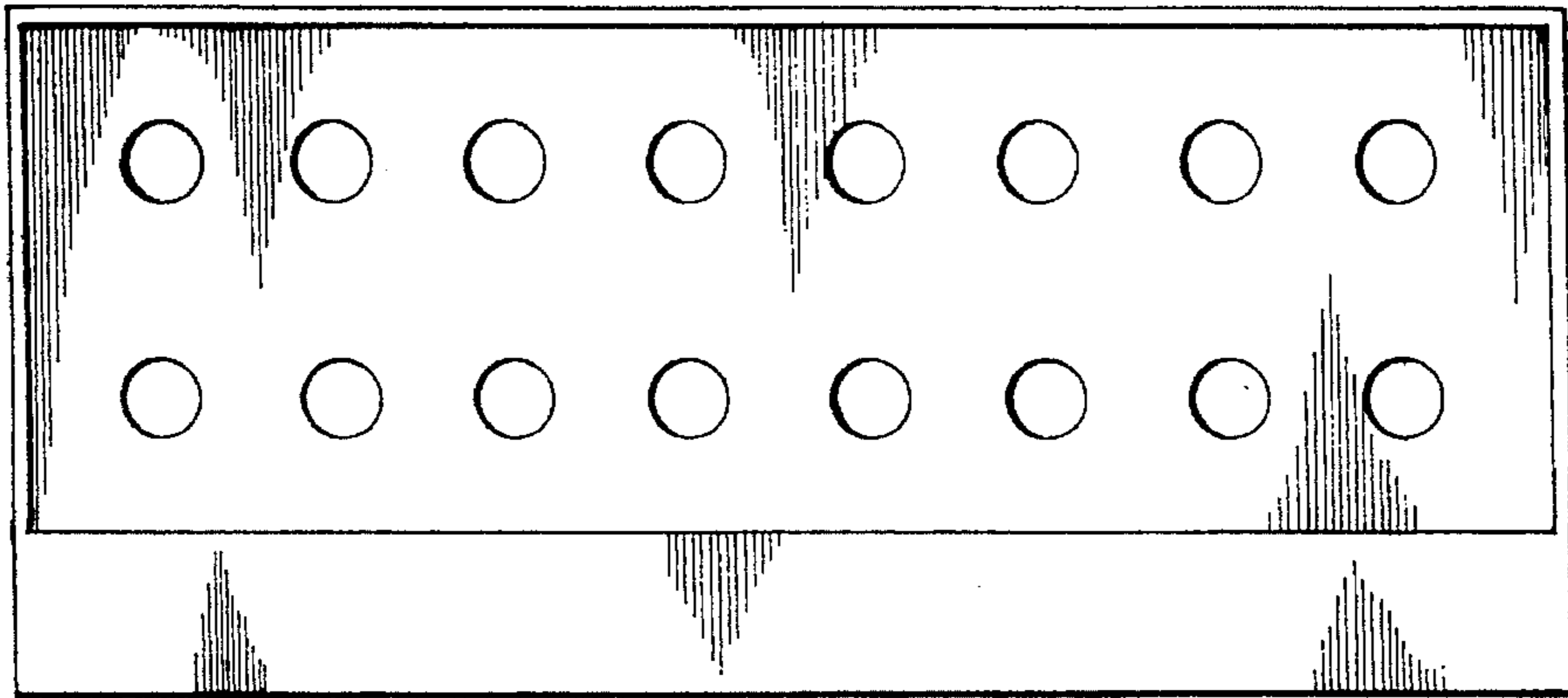


FIG. 3

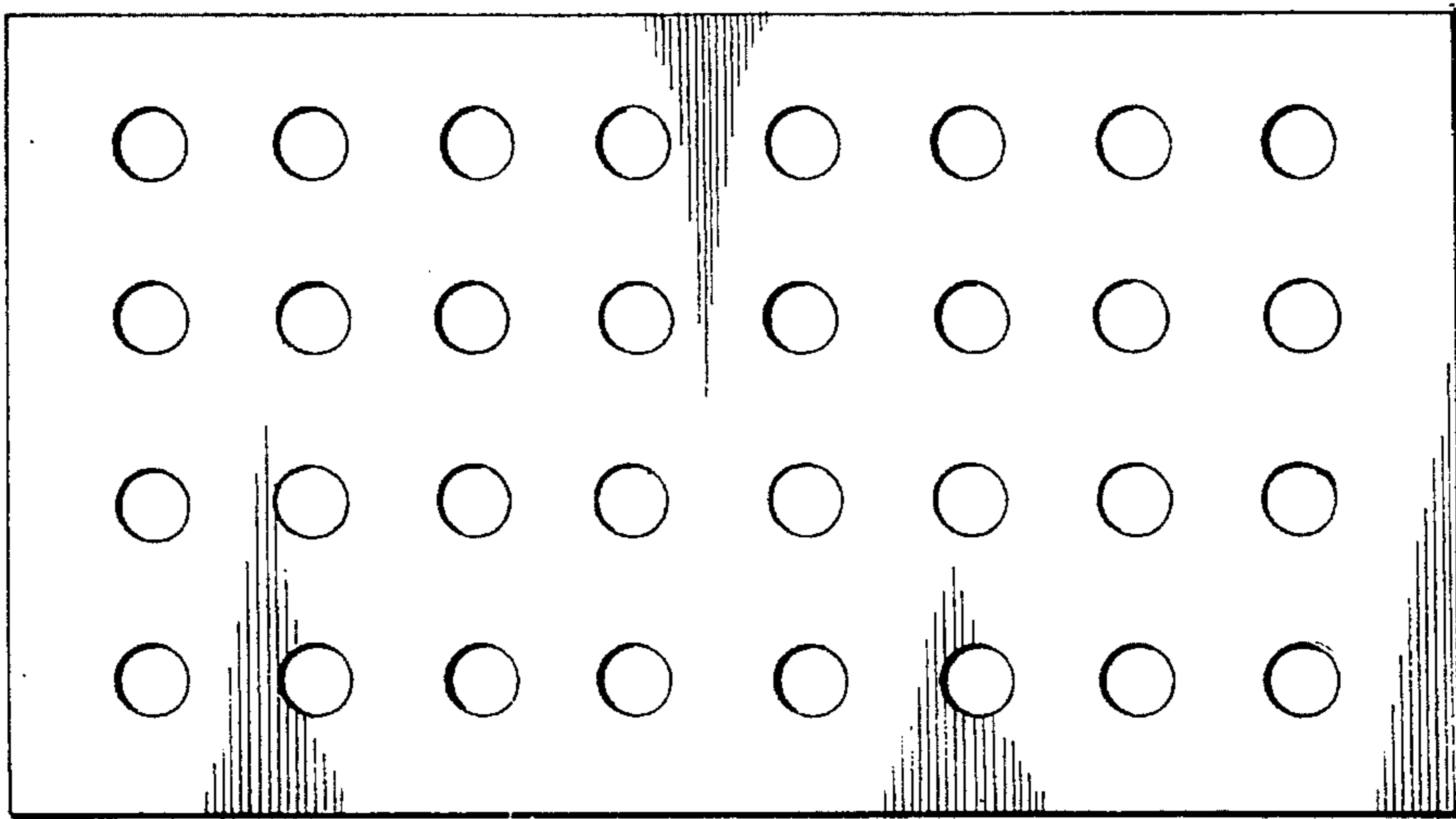
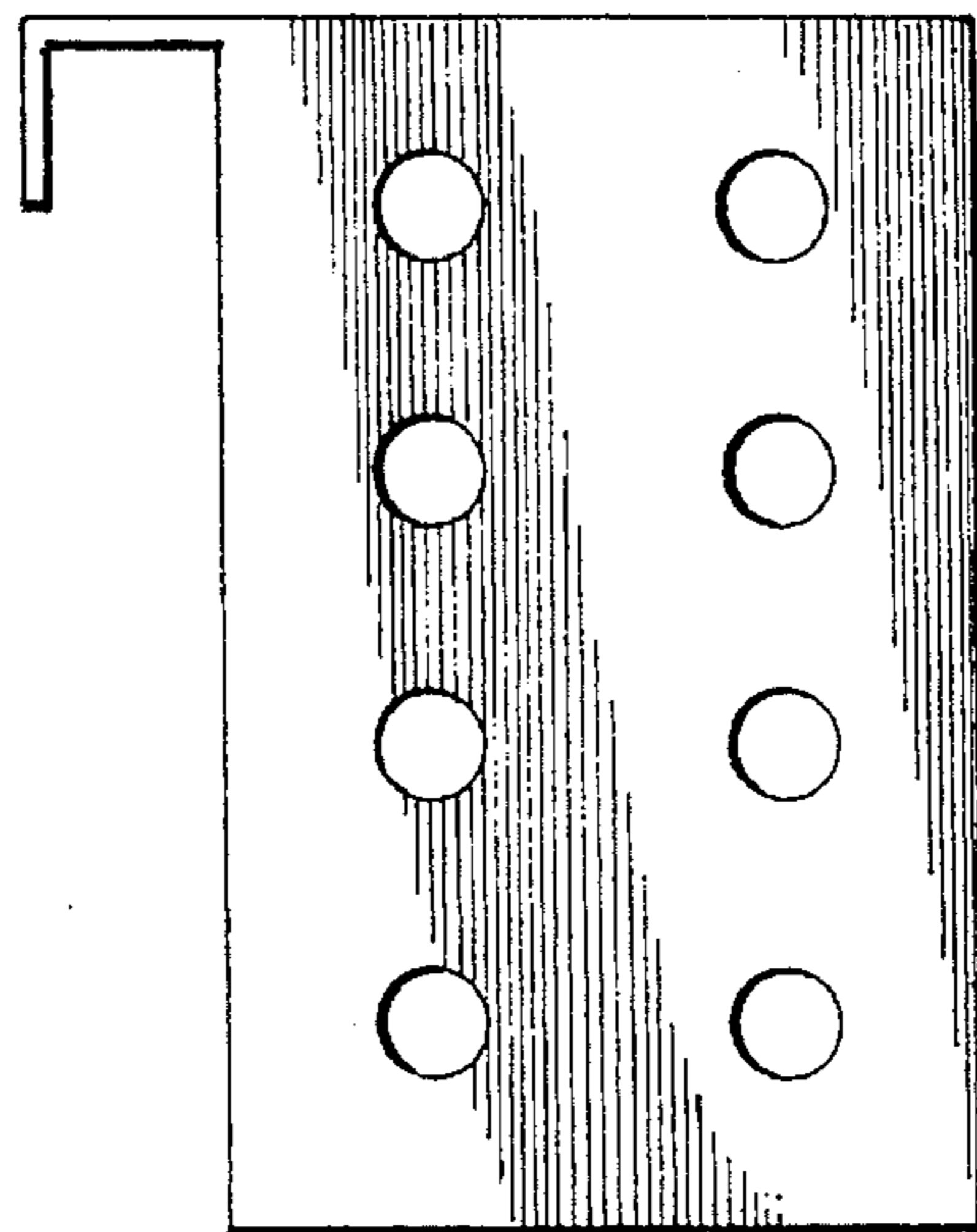


FIG. 4

FIG. 5



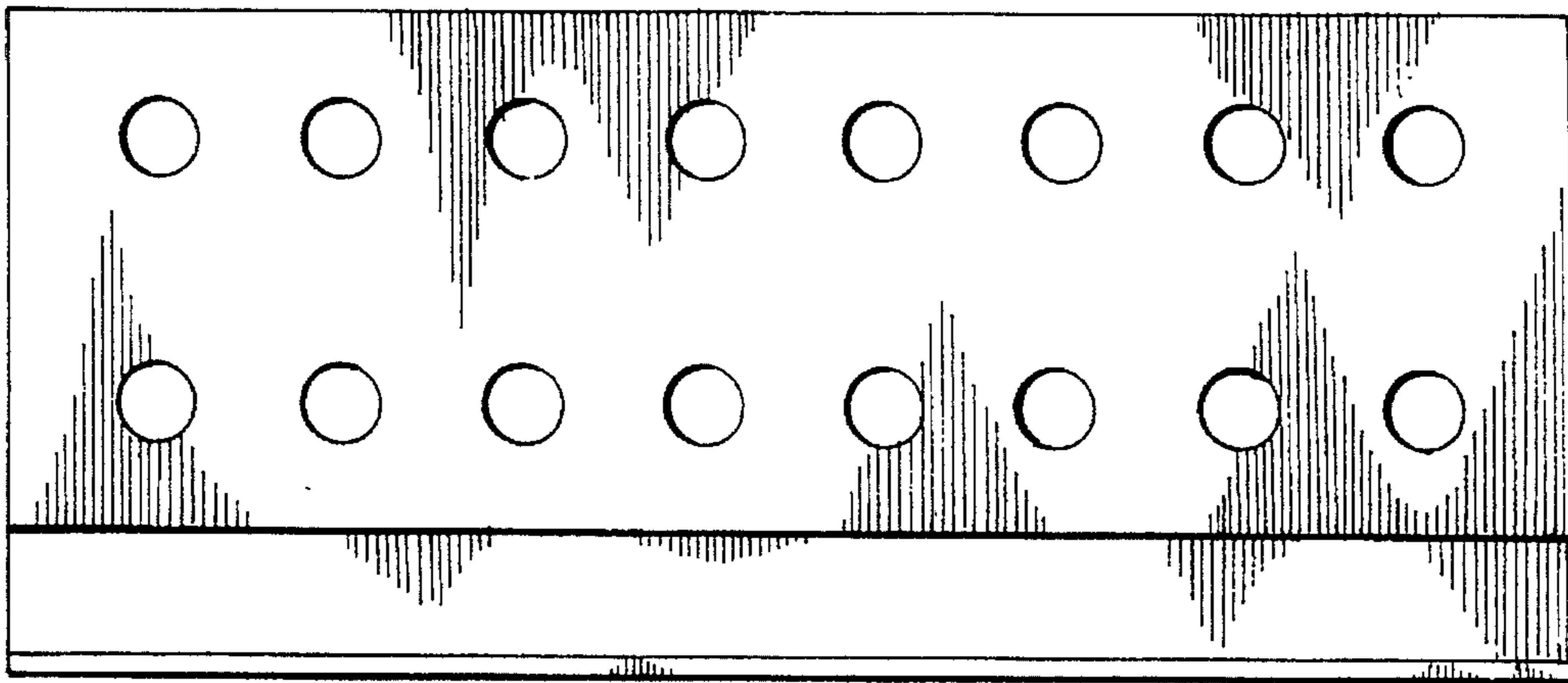


FIG. 6