



US00D368553S

United States Patent [19]

[11] Patent Number: **Des. 368,553**

Welschoff et al.

[45] Date of Patent: ****Apr. 2, 1996**

[54] **COSMETIC MARKER**

[75] Inventors: **Heinz Welschoff**, Fort Lauderdale, Fla.;
Douglas B. Wencil, Lewisburg, Tenn.

[73] Assignee: **Cosmolab, Inc.**, Lewisburg, Tenn.

[**] Term: **14 Years**

[21] Appl. No.: **29,590**

[22] Filed: **Oct. 11, 1994**

[52] U.S. Cl. **D28/7; D19/51; D28/76; D28/88**

[58] **Field of Search** **D28/7, 76, 77, D28/85-89; D9/338, 501, 504, 529, 554; D19/41-51, 53-58; 132/317, 318, 320; 401/54, 55, 82, 88, 89, 95, 98, 202, 261-263, 265, 267**

[56] **References Cited**

U.S. PATENT DOCUMENTS

D. 261,010	9/1981	Itoh	D19/51
D. 352,131	11/1994	Wolters et al.	D28/88 X
378,768	2/1888	Chase	401/52 X
1,603,842	10/1926	Colpe	132/318 X
4,987,911	1/1991	Powers	132/218 X
5,061,105	10/1991	Isoda	401/202
5,407,286	4/1995	Powers	401/70 X

FOREIGN PATENT DOCUMENTS

8111	11/1979	Germany	401/90
------	---------	---------	-------	--------

OTHER PUBLICATIONS

Avon C-3 1983, p. 38: Colortwists lipsticks.
Harper's Bazaar Oct. 1985, p. 135: cosmetic brush on left.
Avon C-10 1992, p. 58: Glimmersticks for brows at top of page.

Primary Examiner—Prabhakar G. Deshmukh

Assistant Examiner—C. Tuttle

Attorney, Agent, or Firm—Fitzpatrick, Cella, Harper & Scinto

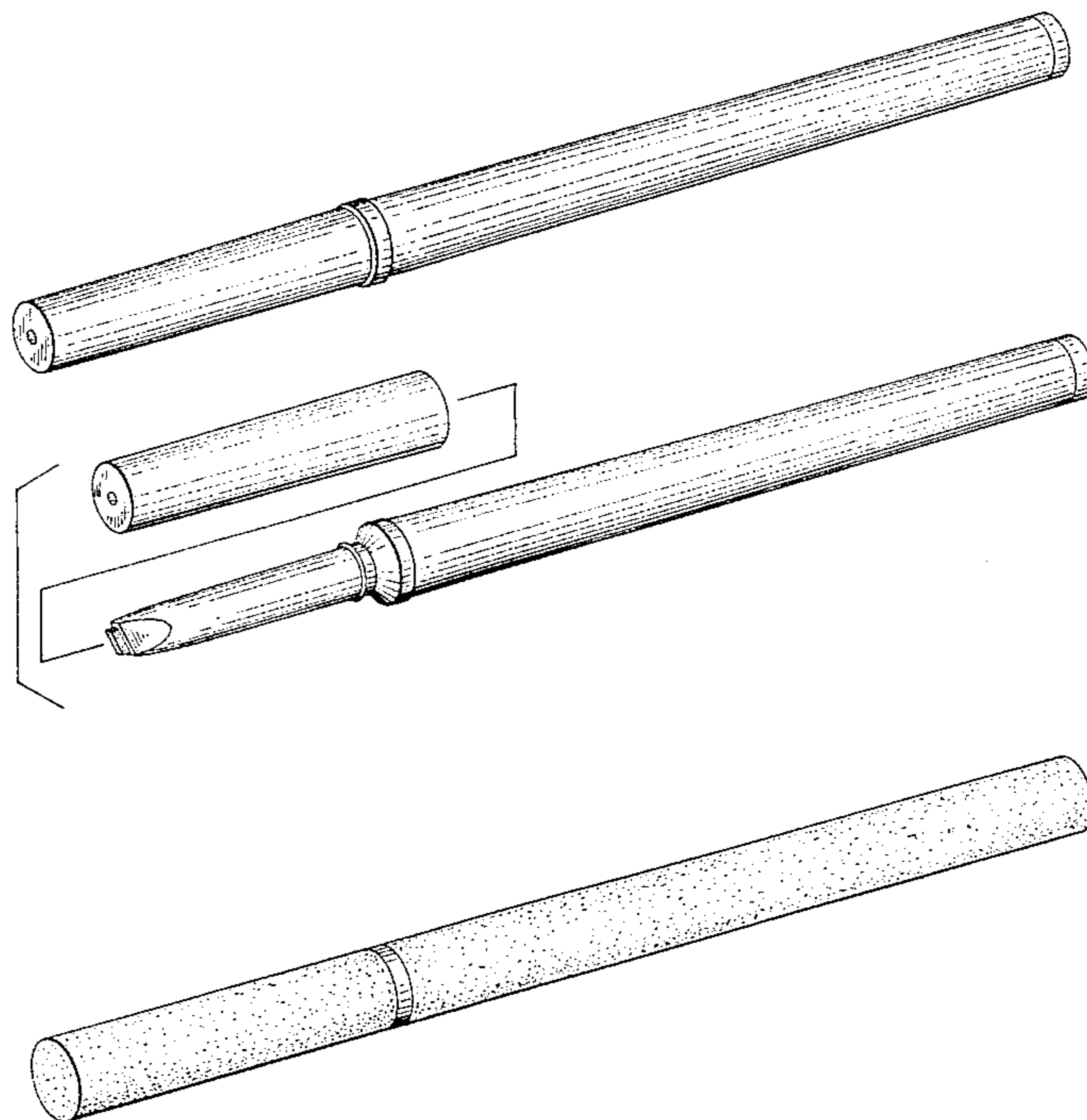
[57] **CLAIM**

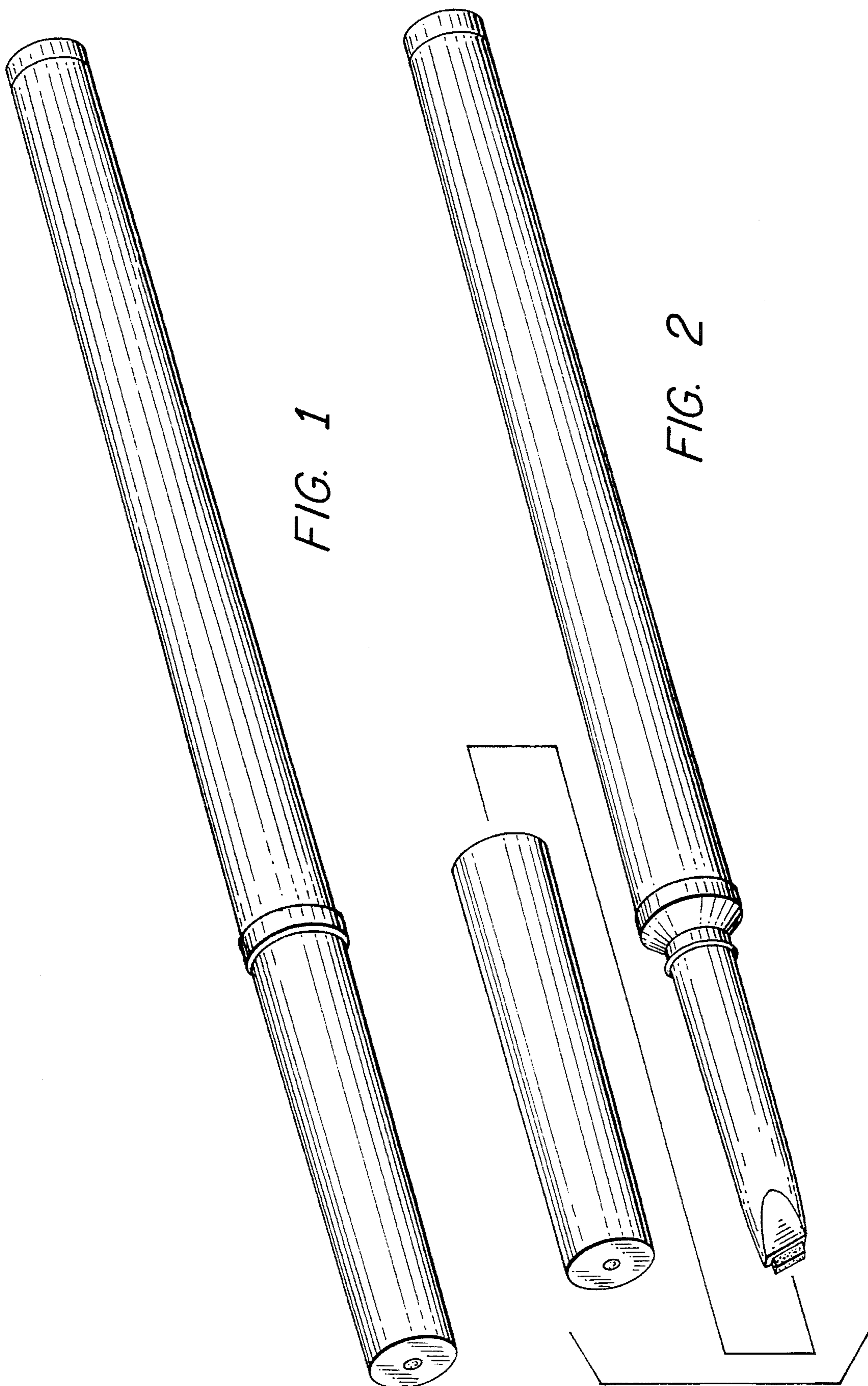
The ornamental design for a cosmetic marker, as shown and described.

DESCRIPTION

FIG. 1 is a right front perspective view of a cosmetic marker showing a first embodiment of our design; FIG. 2 is a right front perspective view, with the cap removed to expose the rectangular extrusion stylus; FIG. 3 is a top plan view shown without the cap for completeness of disclosure; FIG. 4 is a right side elevation view thereof, the left side being a mirror image thereof; FIG. 5 is a bottom plan view thereof; FIG. 6 is a front end elevational view thereof; FIG. 7 is a rear end elevational view thereof; FIG. 8 is a front end elevational view of FIG. 1; FIG. 9 is a right side elevational view of a second embodiment, wherein the modification resides in the appearance of the barrel; the left side being a mirror image of the side shown; FIG. 10 is a front end elevational view of the second embodiment, shown with the cap in place; FIG. 11 is a right side elevational view of a third embodiment, which is identical to the second embodiment except for the appearance of the rear end; FIG. 12 is a rear end elevational view of the second and third embodiments; and, FIG. 13 is a perspective view of the second and third embodiments.

1 Claim, 3 Drawing Sheets





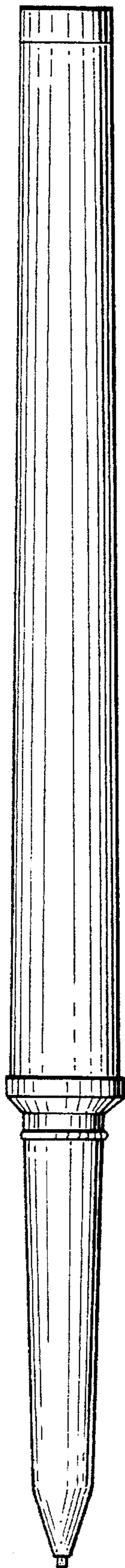


FIG. 3

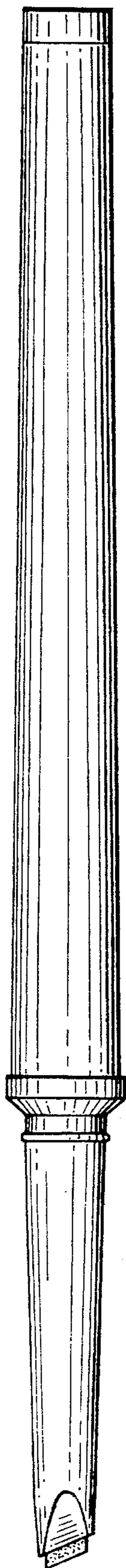


FIG. 4

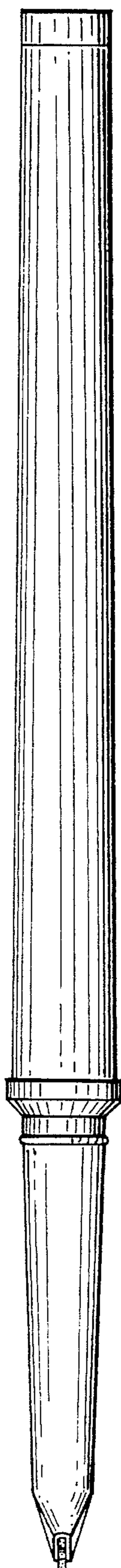


FIG. 5

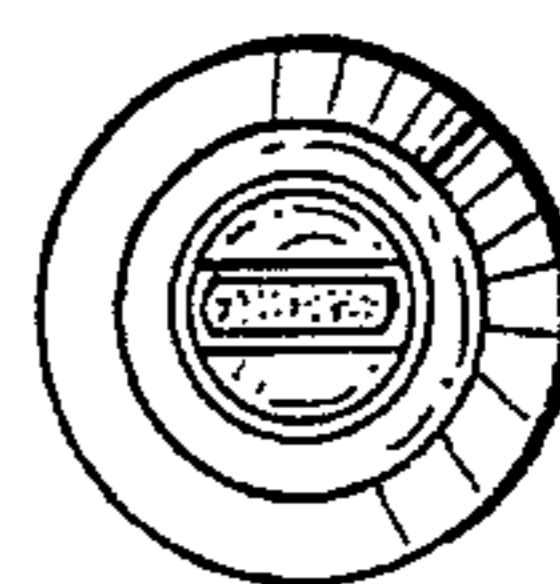


FIG. 6

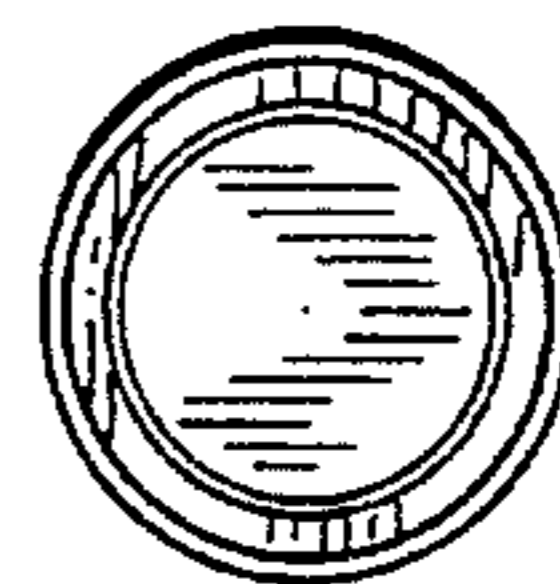


FIG. 7

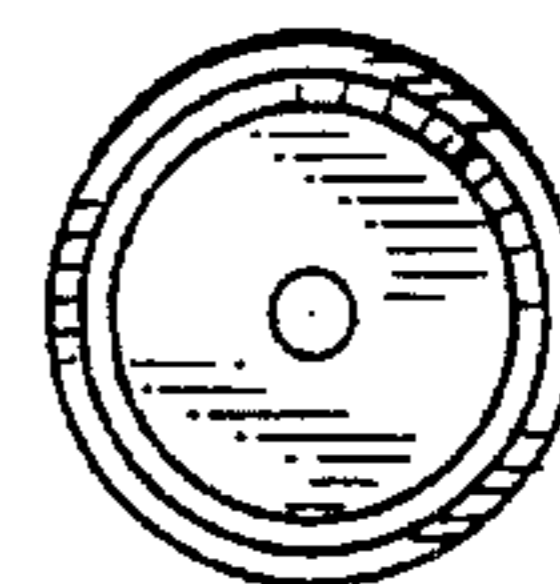


FIG. 8



FIG. 9



FIG. 11



FIG. 10

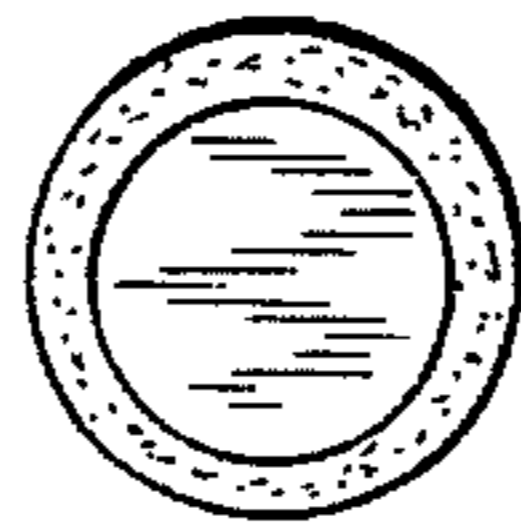


FIG. 12

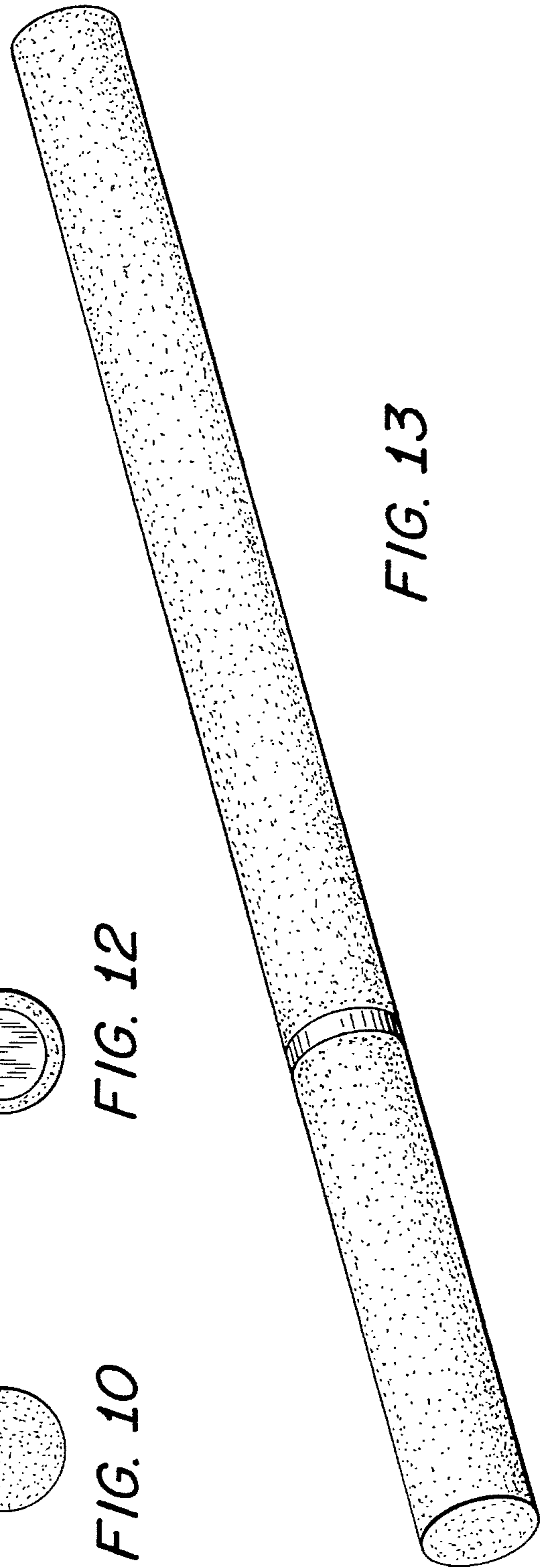


FIG. 13