



US00D368551S

United States Patent [19]
Richards

[11] **Patent Number:** **Des. 368,551**
[45] **Date of Patent:** ****Apr. 2, 1996**

[54] **TOBACCO WATER PIPE**

4,171,703 10/1979 Zocke .

[76] Inventor: **Rodney R. Richards**, 3310 W. Bell Rd., No. 101, Phoenix, Ariz. 85023

Primary Examiner—A. Hugo Word
Assistant Examiner—Marcus Jackson
Attorney, Agent, or Firm—Cahill, Sutton & Thomas

[**] Term: **14 Years**

[57] **CLAIM**

[21] Appl. No.: **36,025**

The ornamental design for a tobacco water pipe, as shown and described.

[22] Filed: **Mar. 10, 1995**

[52] U.S. Cl. **D27/162**

DESCRIPTION

[58] Field of Search D27/162-169;
131/173, 179, 192

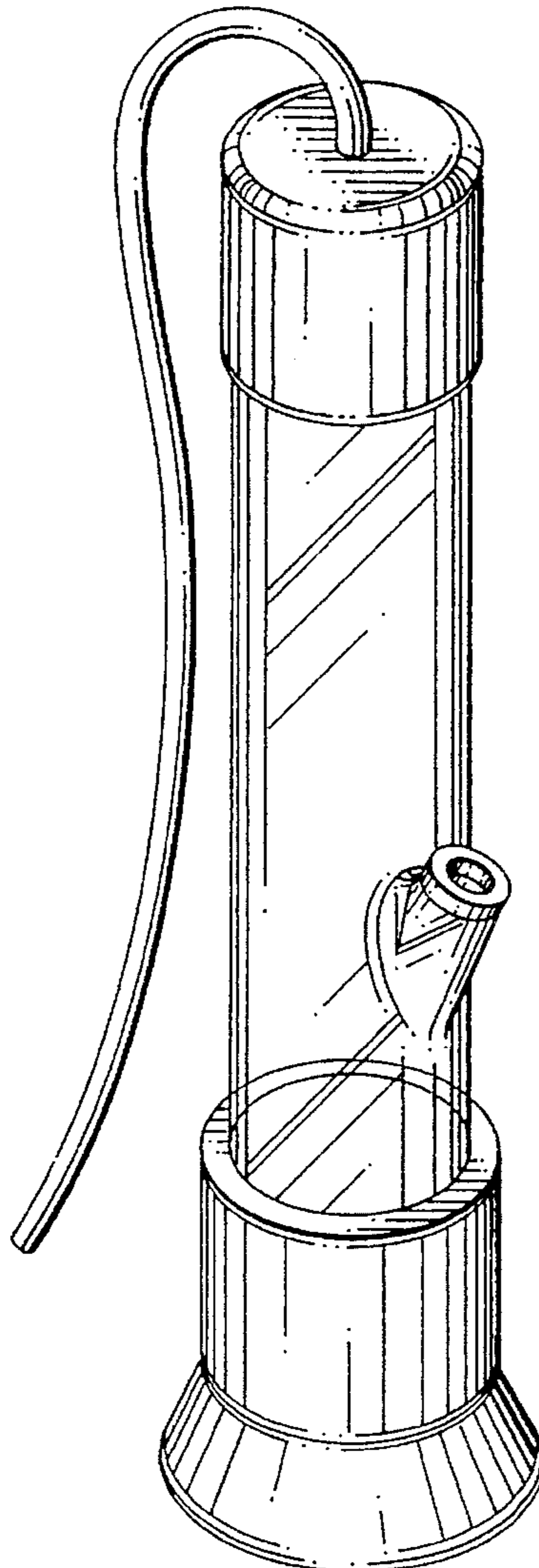
FIG. 1 is a perspective view from above of a tobacco water pipe showing my design;
FIG. 2 is a front elevational view thereof, with the tube portion broken away for convenience of illustration only;
FIG. 3 is a side elevational view thereof, the other side view being a mirror image of this view;
FIG. 4 is a rear elevational view thereof;
FIG. 5 is a top plan view thereof; and,
FIG. 6 is a bottom plan view thereof.

[56] **References Cited**

U.S. PATENT DOCUMENTS

D. 233,863	12/1974	Keidl	D27/162
D. 249,070	8/1978	Evans	D27/162
D. 249,282	9/1978	Nielsen	D27/162
D. 265,595	7/1982	Galanter .	
D. 342,805	12/1993	Heine et al. .	
D. 346,673	5/1994	Newman .	
D. 349,780	8/1994	Heine	D27/162

1 Claim, 1 Drawing Sheet



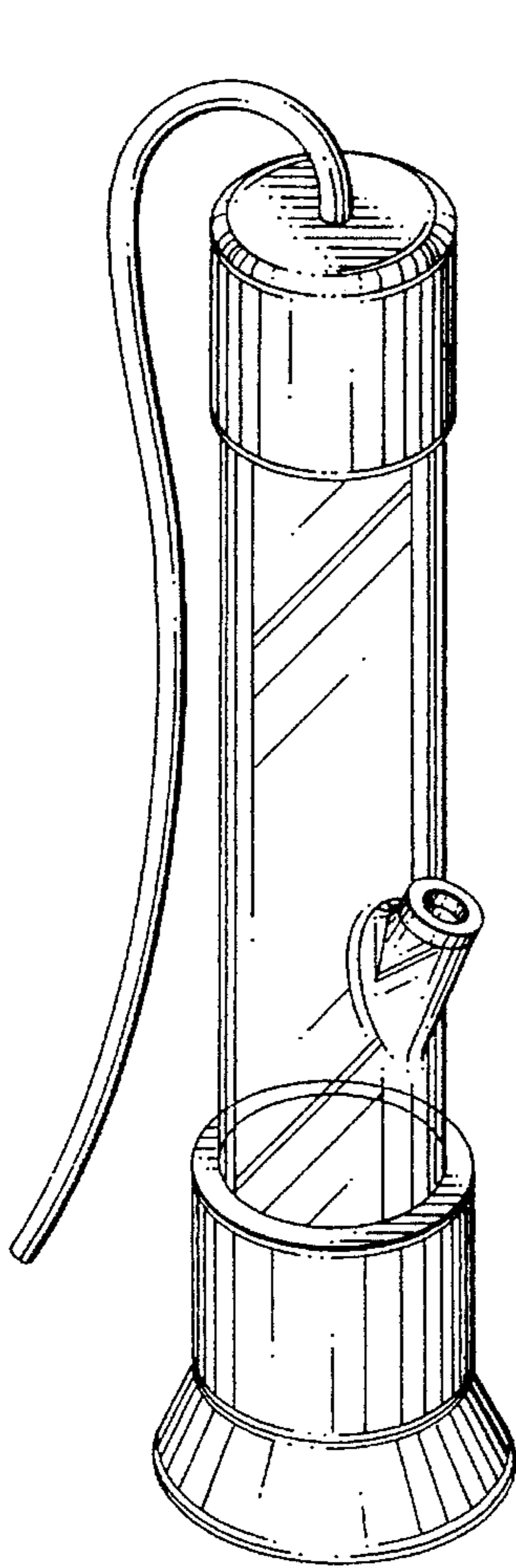


FIG. 1

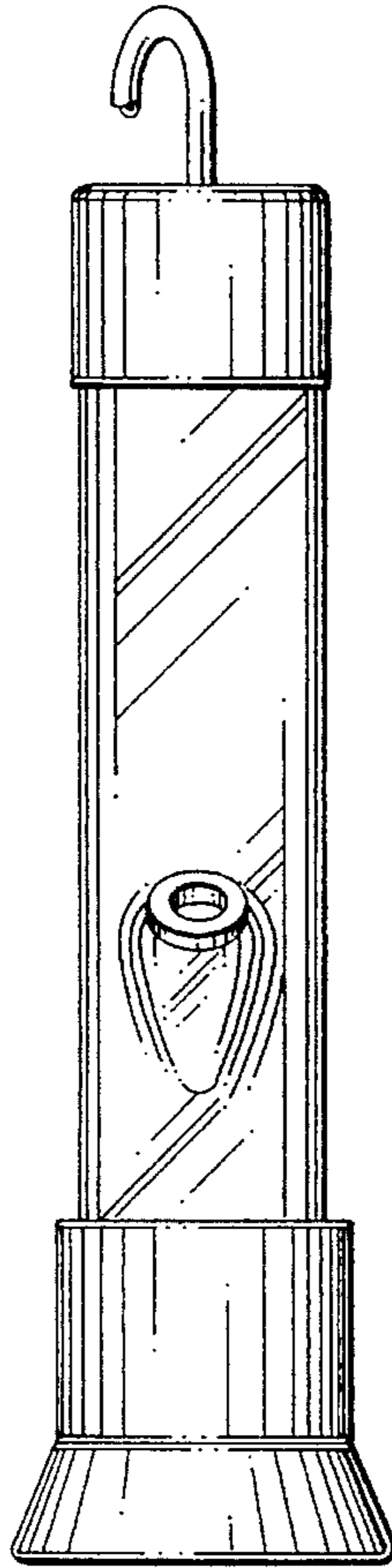


FIG. 2

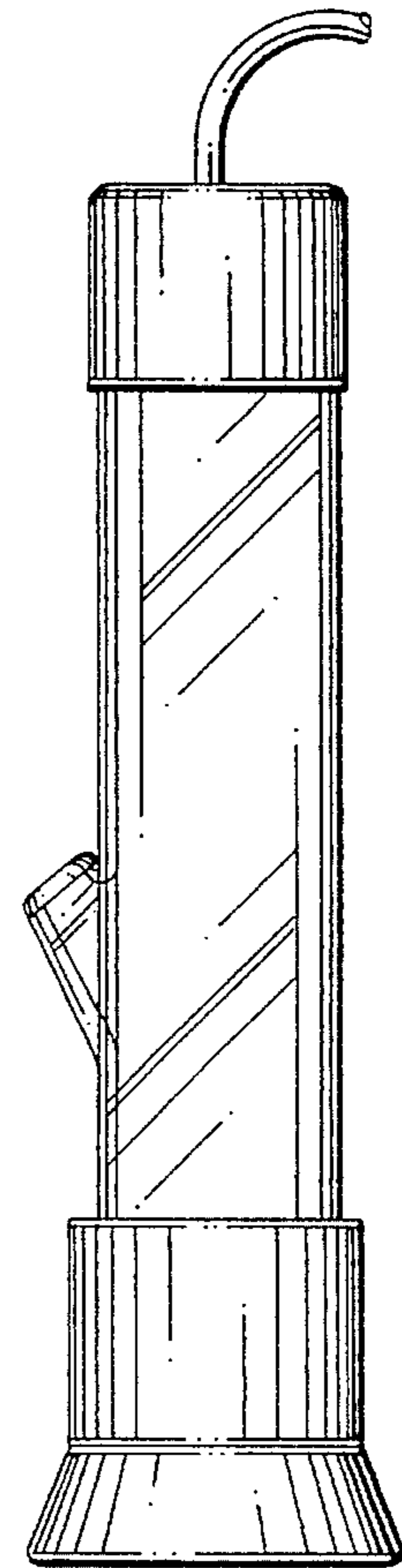


FIG. 3

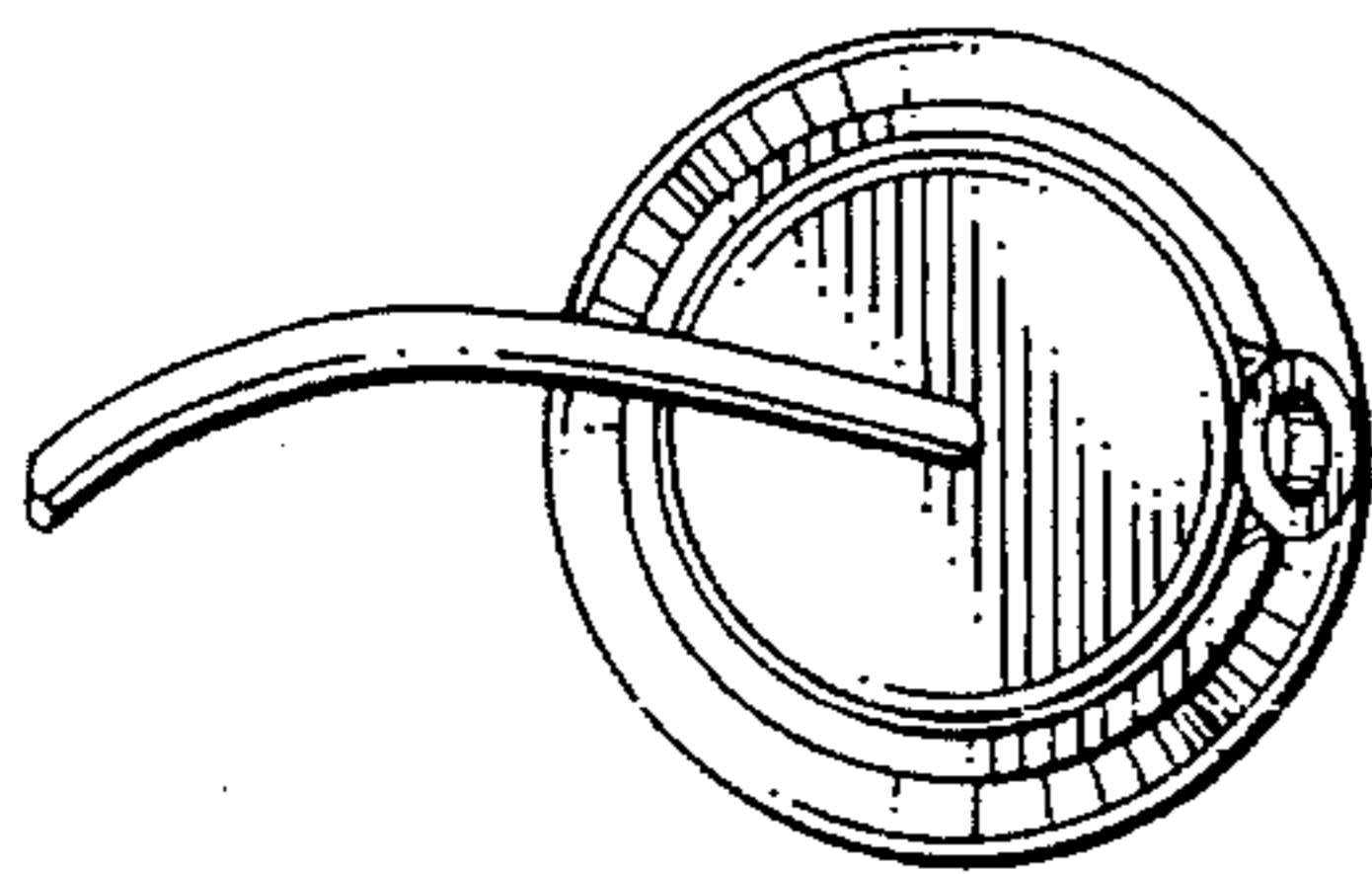


FIG. 5

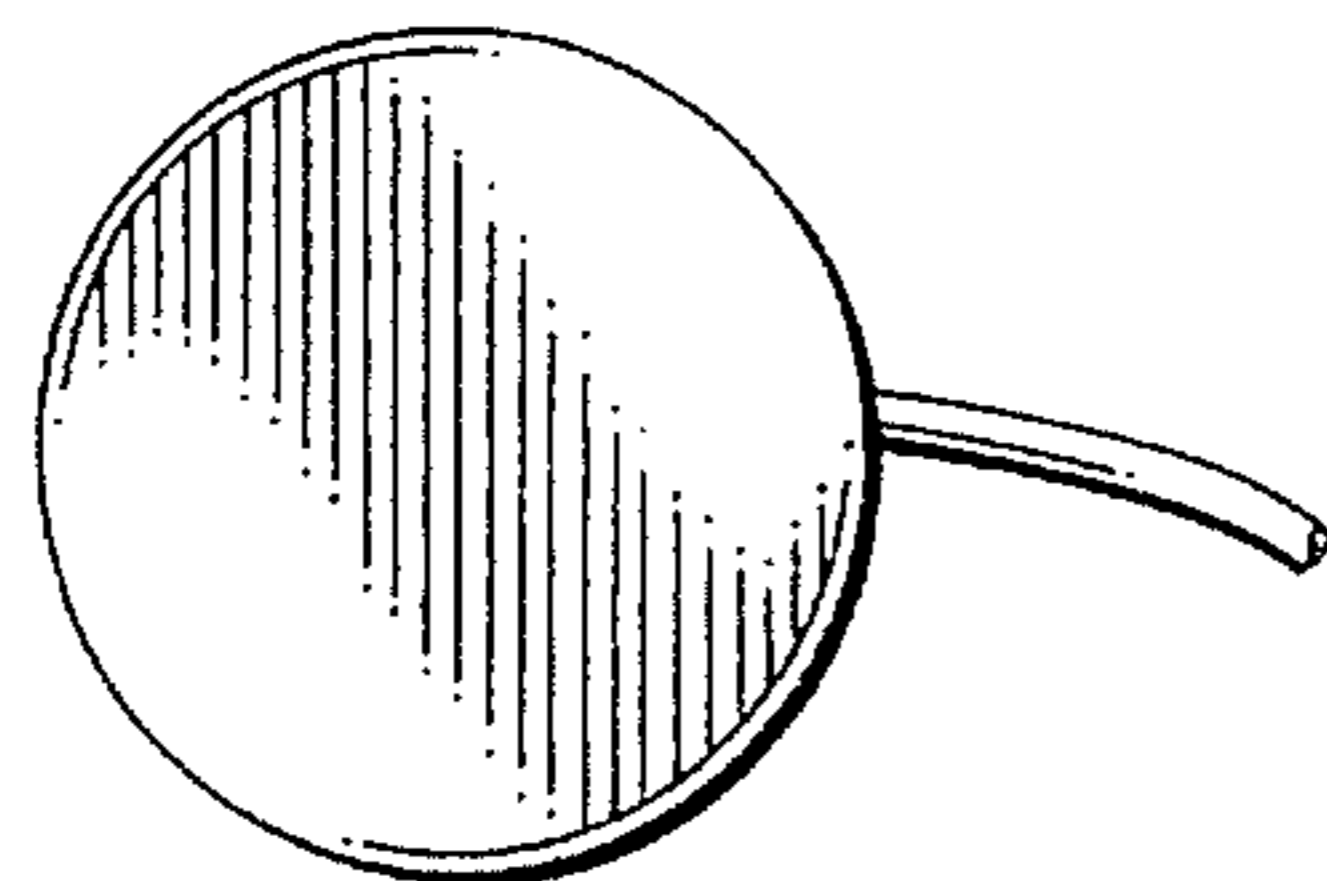


FIG. 6

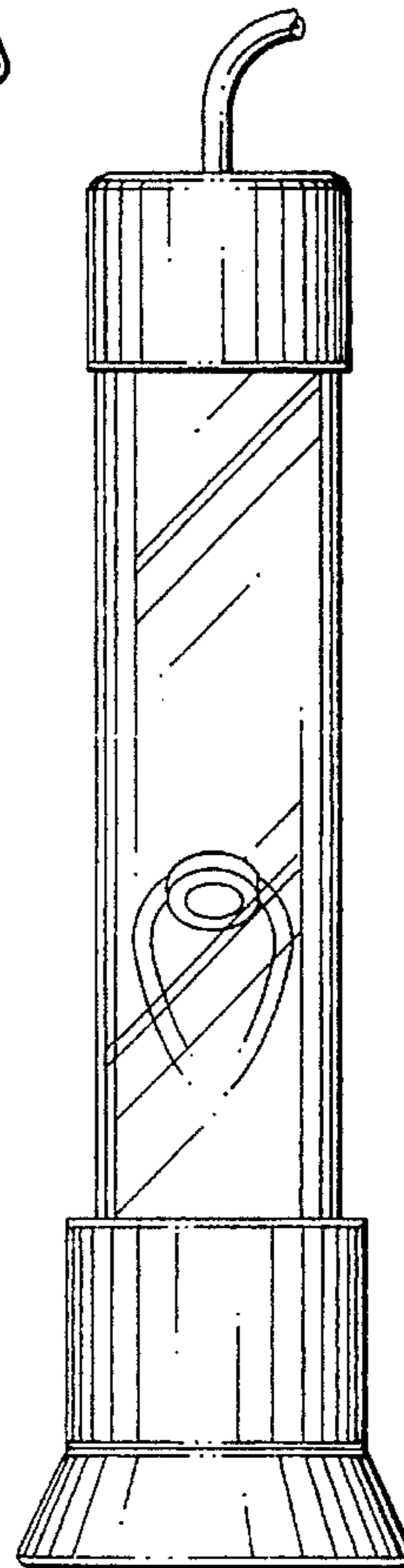


FIG. 4