



US00D368547S

United States Patent [19]
Chen

[11] **Patent Number: Des. 368,547**
[45] **Date of Patent: **Apr. 2, 1996**

[54] **LAMP**

OTHER PUBLICATIONS

[76] Inventor: **Duncan Chen**, c/o Hung Hsing Patent Service Center P.O. Box 55-1670, Taipei (10477), Taiwan

Home Lighting & Accessories, Feb. 1992, p. 45, "Harris Lamps" (upper left).

Primary Examiner—Kay H. Chin

[**] Term: **14 Years**

[57] **CLAIM**

[21] Appl. No.: **36,854**

The ornamental design for lamp, as shown and described.

[22] Filed: **Mar. 29, 1995**

DESCRIPTION

[52] U.S. Cl. **D26/93; D26/106**

FIG. 1 is a front elevational view of a lamp showing my new design;

[58] Field of Search D26/93, 102-112;
362/410-414

FIG. 2 is a rear elevational view;

FIG. 3 is a left side elevational view;

FIG. 4 is a right side elevational view;

FIG. 5 is a top plan view;

FIG. 6 is a bottom plan view; and,

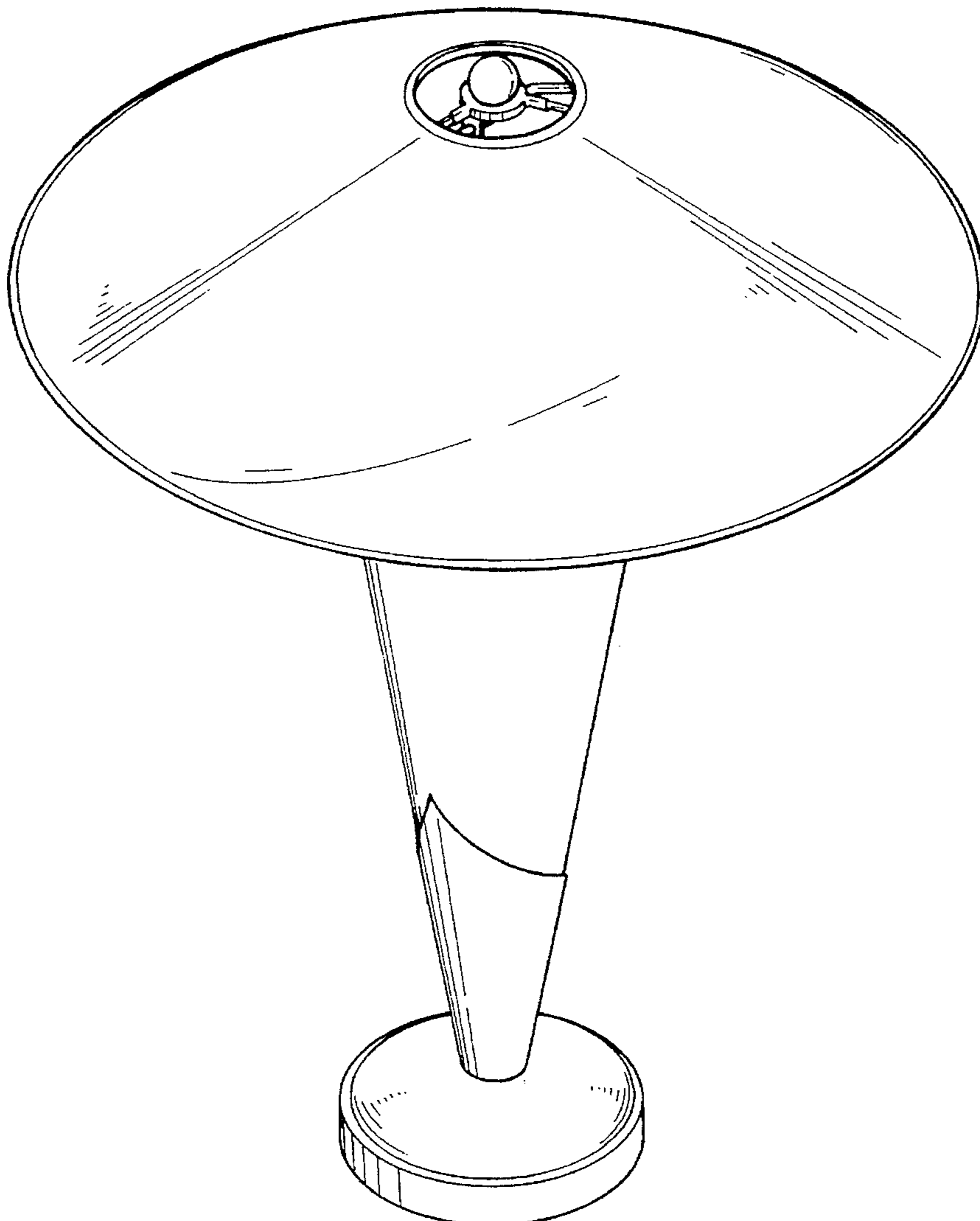
FIG. 7 is a perspective view.

[56] **References Cited**

U.S. PATENT DOCUMENTS

D. 77,406	1/1929	Greene	D26/93
D. 340,539	10/1993	Smith	D26/106
D. 353,015	11/1994	Hutton	D26/106

1 Claim, 4 Drawing Sheets



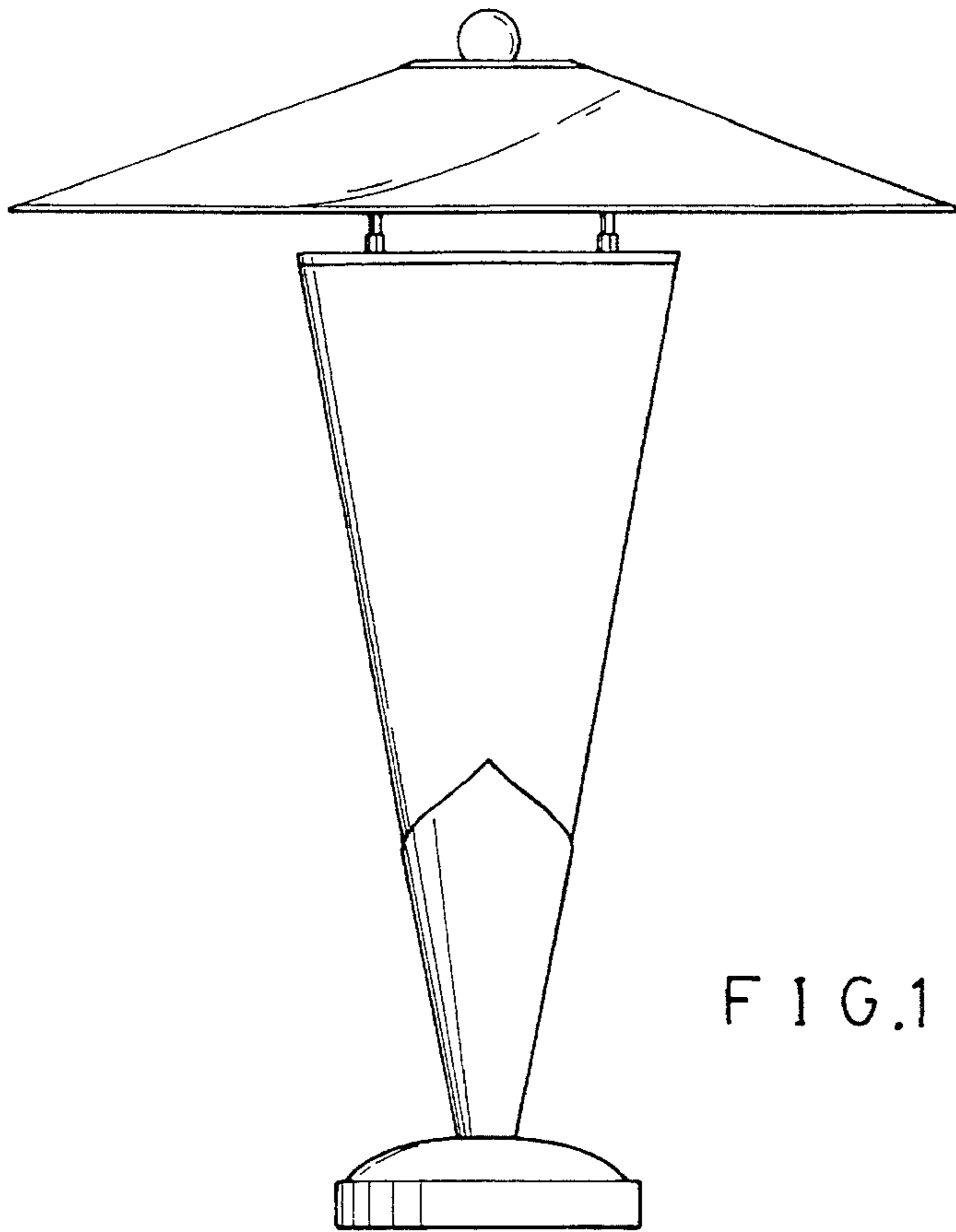


FIG. 1

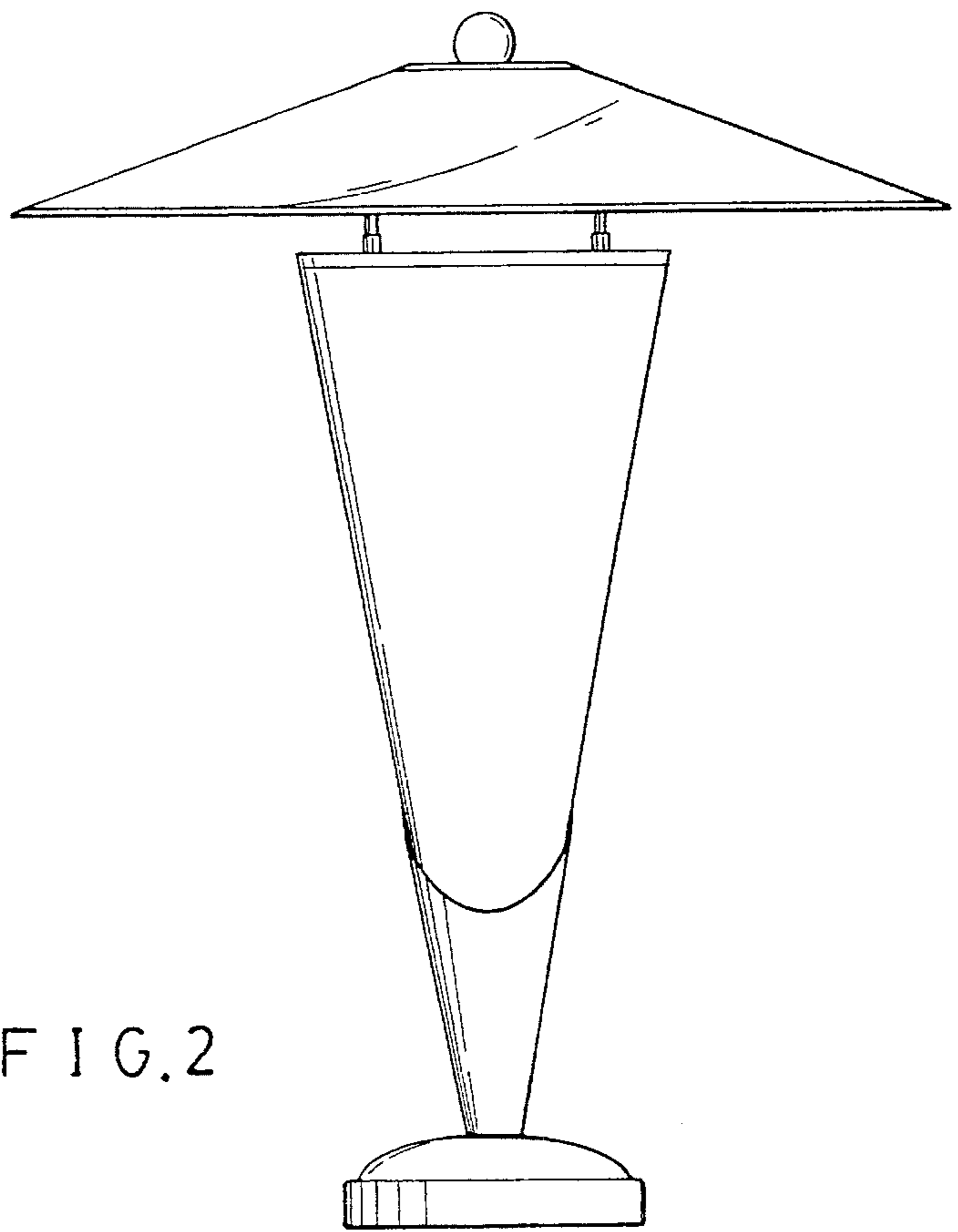


FIG. 2

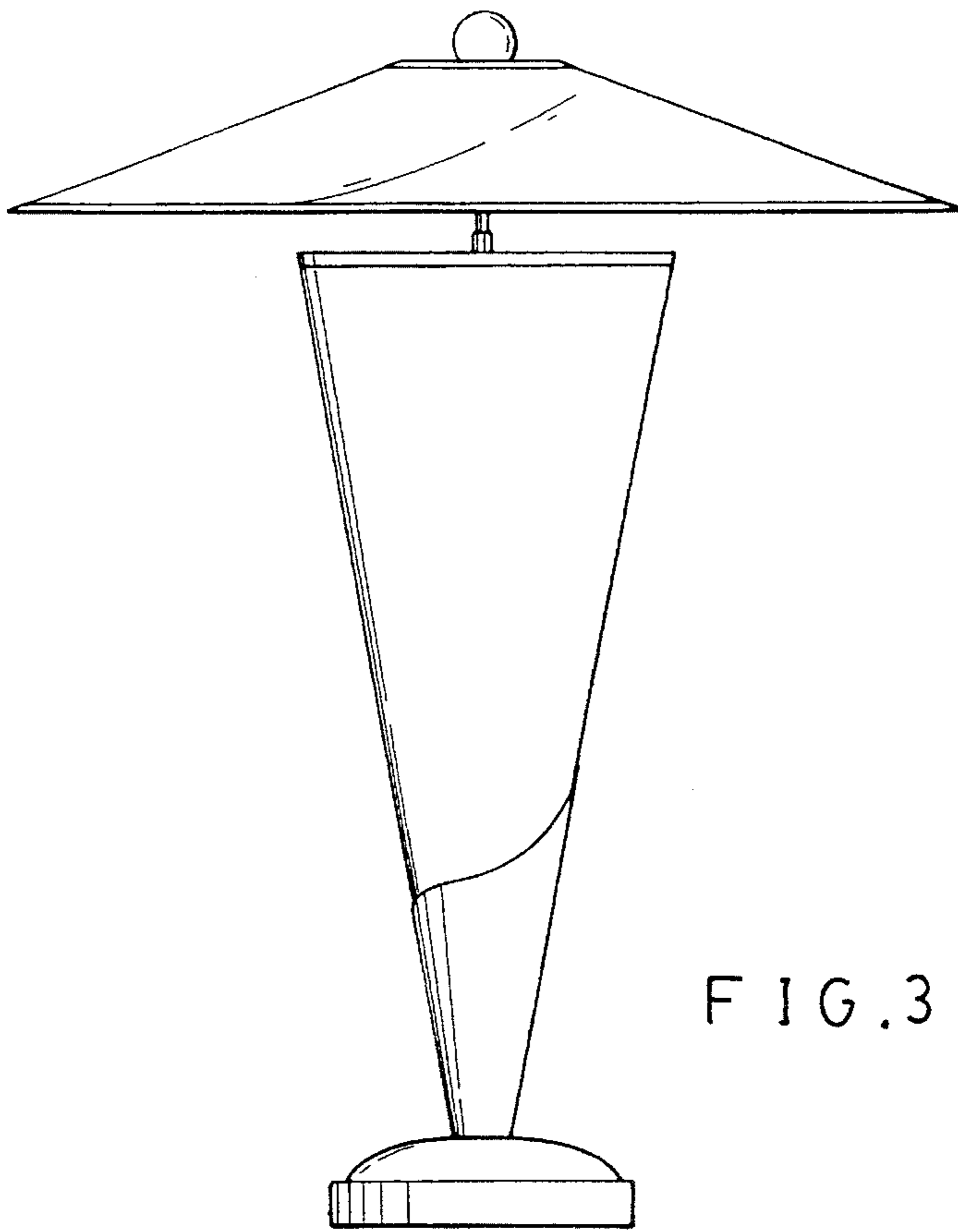


FIG. 3

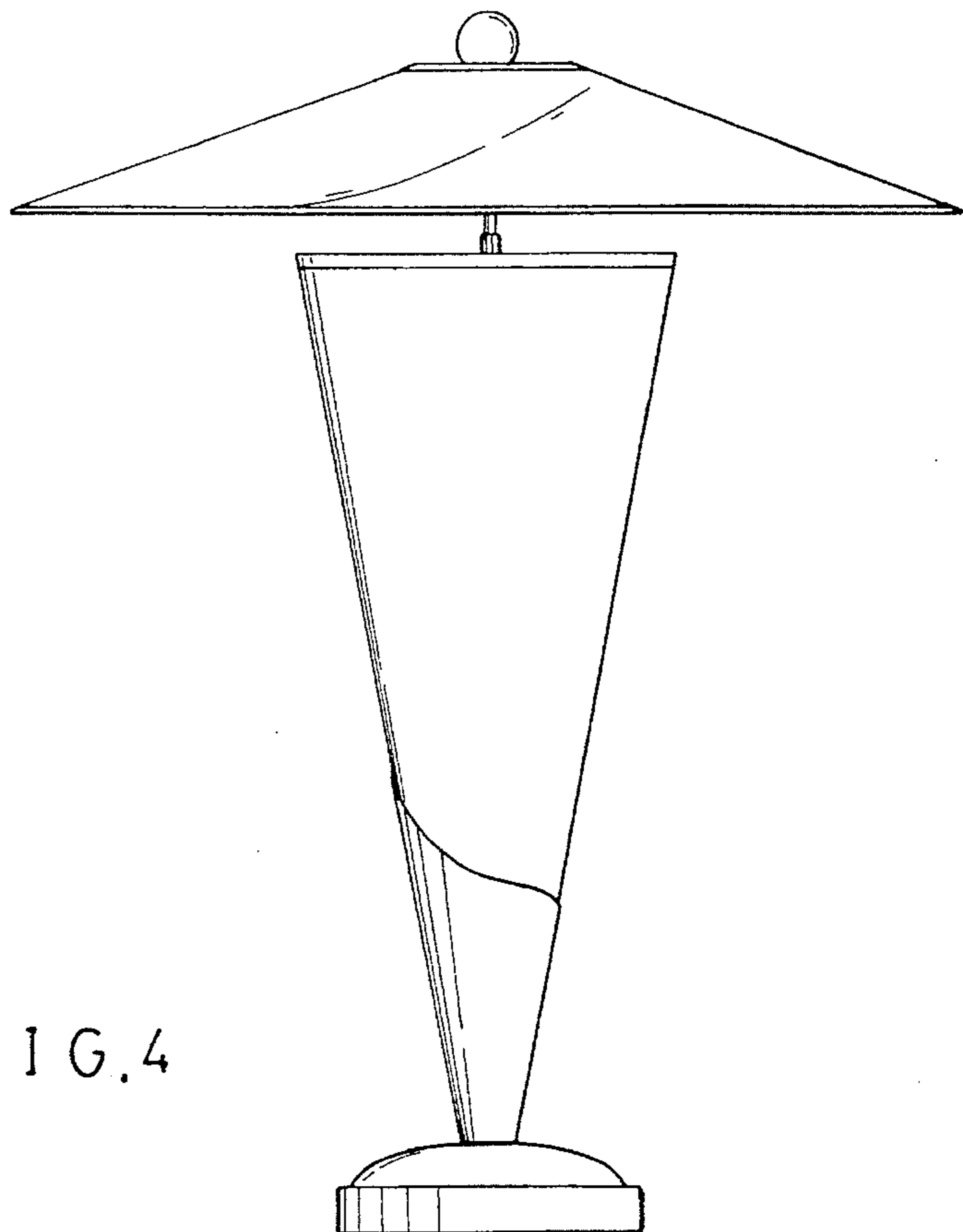


FIG. 4

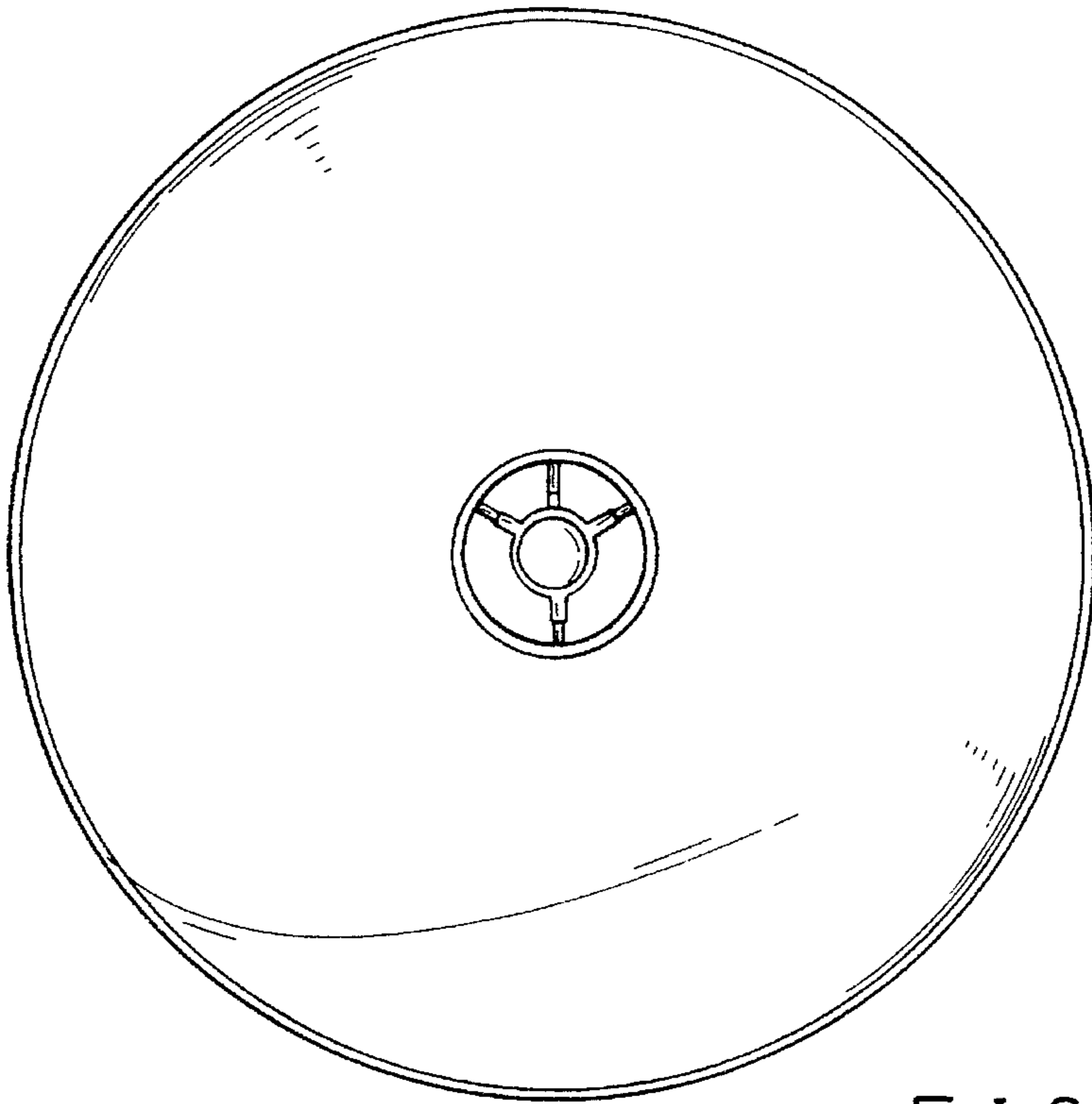


FIG. 5

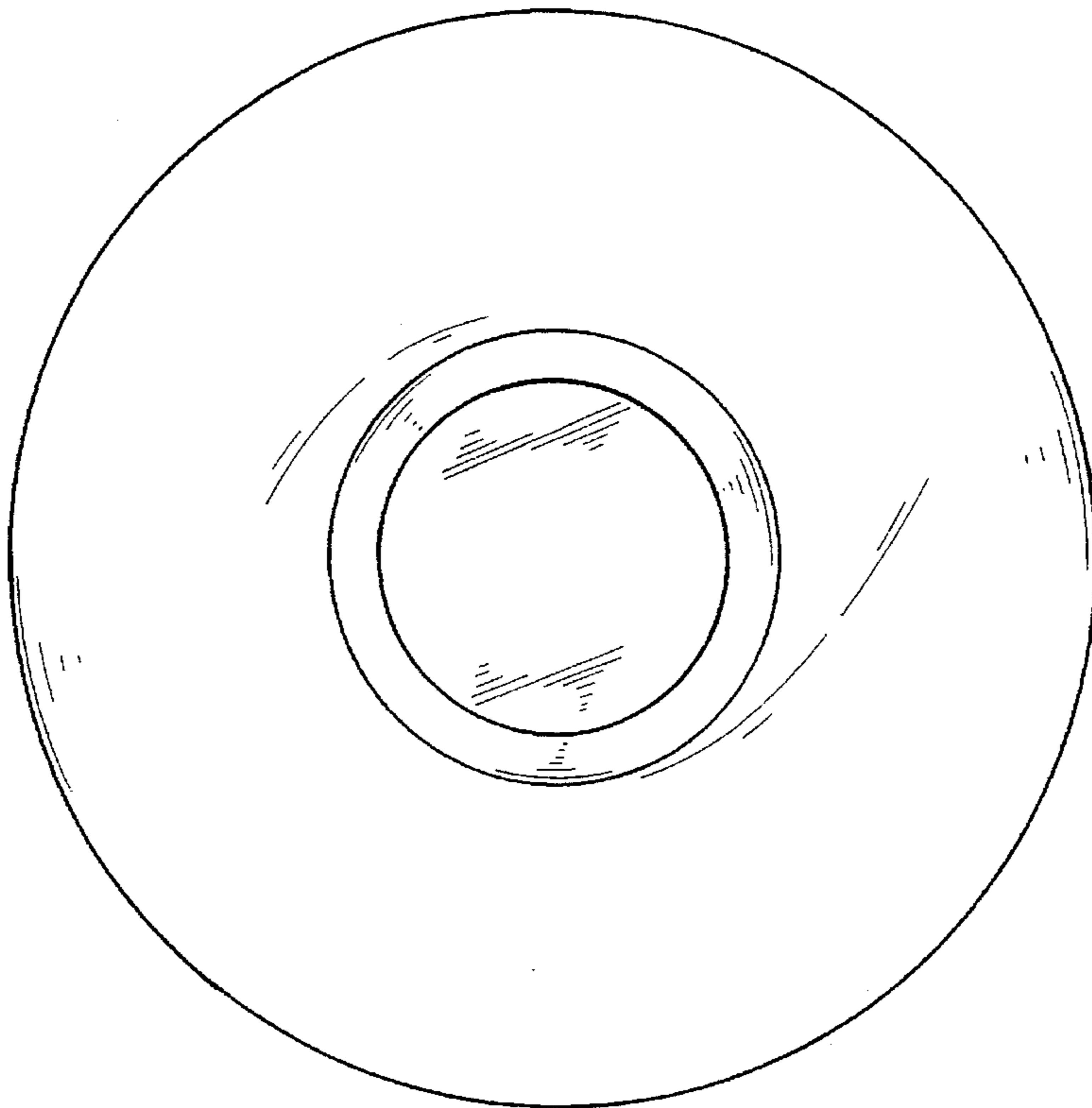


FIG. 6

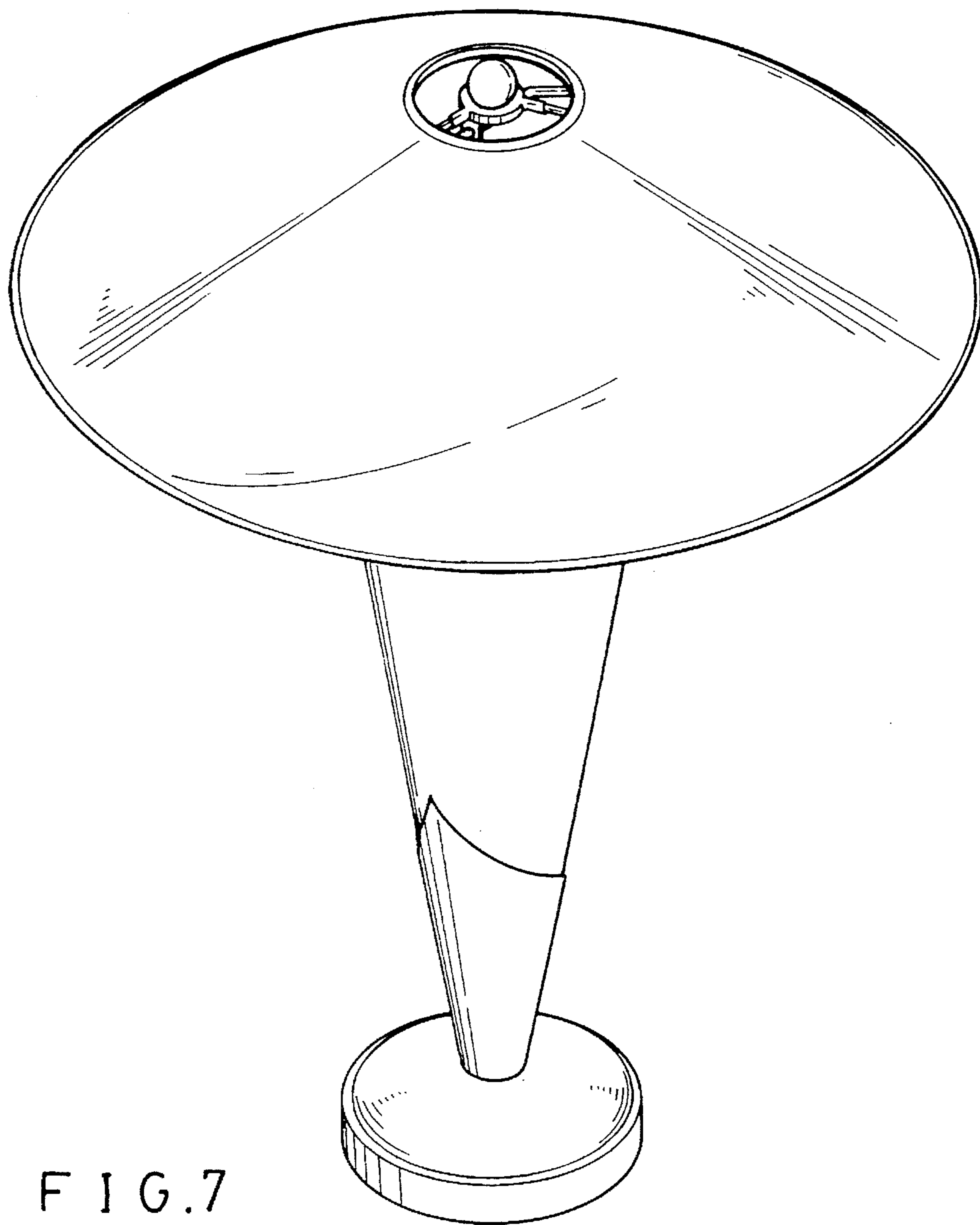


FIG. 7